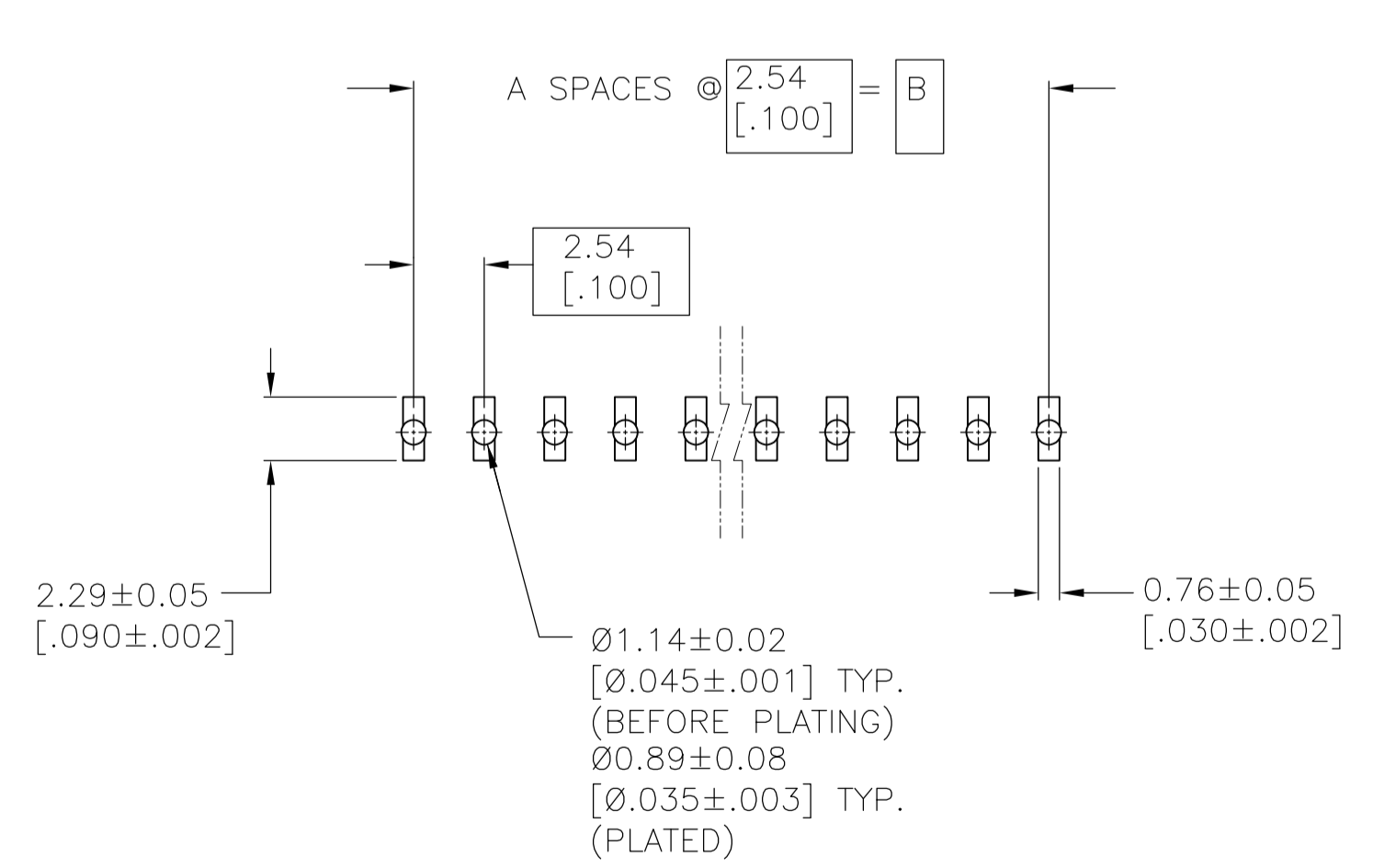
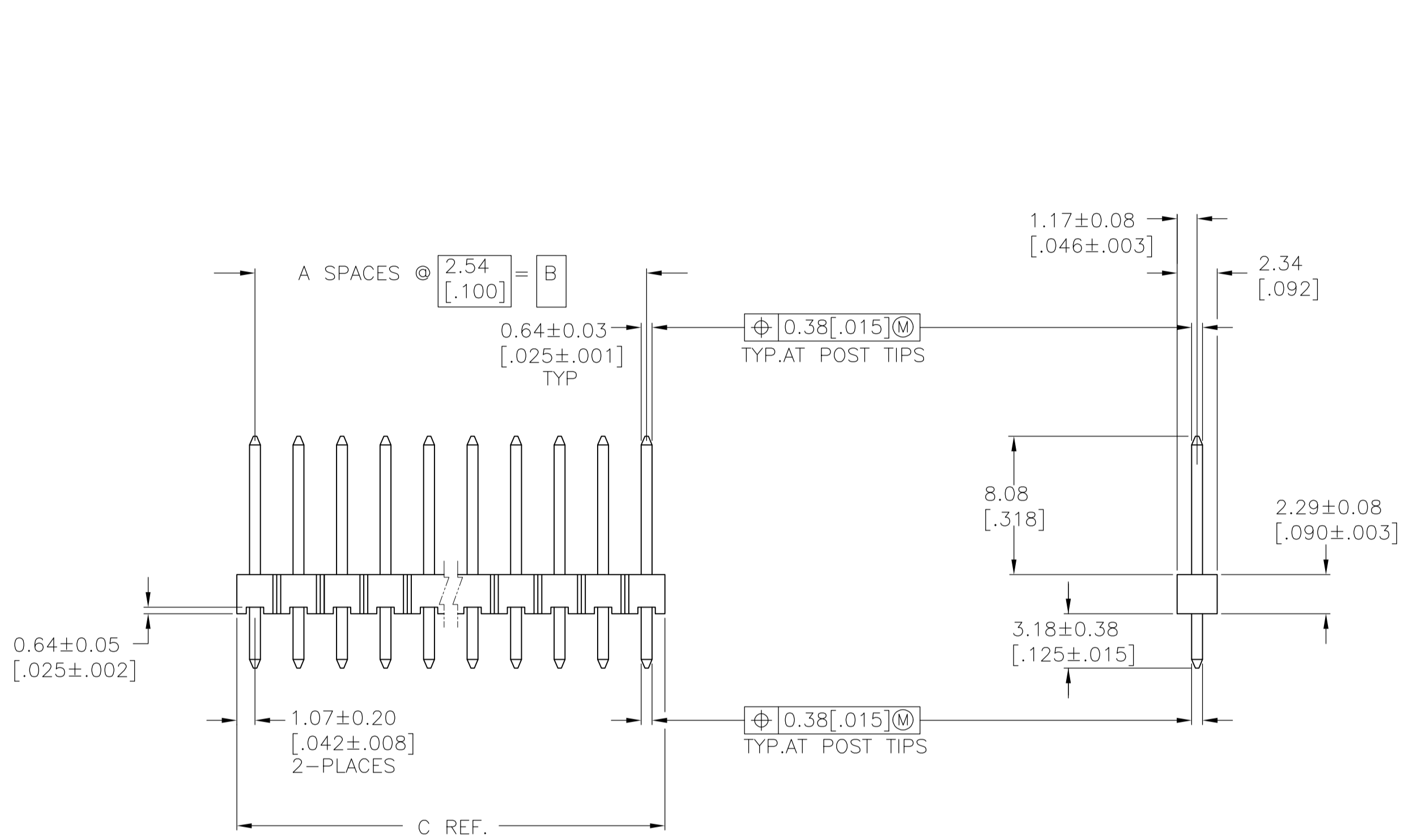


REVISIONS				
REV	DATE	BY	APPV	DESCRIPTION
H1	01SEP2016	NK	MM	ECO-16-012733

- 1 ASSEMBLY MAY BE BROKEN TO THE DESIRED NUMBER OF POSITIONS.
- 2 TRUE POSITION TOLERANCE OF THE POST TIPS APPLIES WHEN THE HEADERS ARE HELD FLAT AGAINST THE PRINTED CIRCUIT BOARD.
- 3 0.00254-0.00504 [.000100-.000200] MATTE TIN-LEAD ON SOLDER TAIL, ALL OVER 0.00127 [.000050] NICKEL.
- 4 HOUSING: LCP, COLOR-BLACK. POSTS: COPPER ALLOY.
- 5 0.00254-0.00504 [.000100-.000200] MATTE TIN ON SOLDER TAIL, ALL OVER 0.00127 [.000050] NICKEL.
- 6 OBSOLETE PARTS: OBSOLETE CIS STREAMLINING PER D.RENAUD/D.SINISI.



RECOMMENDED PC BOARD MOUNTING DIMENSIONS FOR .063 [1.60] THICK PC BOARD AND .012 [.305] STENCIL THICK.

PLATING	C	B	A	NO. OF POSITIONS	PART NUMBER
	101.19 [3.984]	99.06 [3.900]	39	40	9-146274-0
	98.65 [3.884]	96.52 [3.800]	38	39	8-146274-9
	96.11 [3.784]	93.98 [3.700]	37	38	8-146274-8
	93.57 [3.684]	91.44 [3.600]	36	37	8-146274-7
	91.03 [3.584]	88.90 [3.500]	35	36	8-146274-6
	88.49 [3.484]	86.36 [3.400]	34	35	8-146274-5
	85.95 [3.384]	83.82 [3.300]	33	34	8-146274-4
	83.41 [3.284]	81.28 [3.200]	32	33	8-146274-3
	80.87 [3.184]	78.74 [3.100]	31	32	8-146274-2
	78.33 [3.084]	76.20 [3.000]	30	31	8-146274-1
	75.79 [2.984]	73.66 [2.900]	29	30	8-146274-0
	73.25 [2.884]	71.12 [2.800]	28	29	7-146274-9
	70.71 [2.784]	68.58 [2.700]	27	28	7-146274-8
	68.17 [2.684]	66.04 [2.600]	26	27	7-146274-7
	65.63 [2.584]	63.5 [2.500]	25	26	7-146274-6
	63.09 [2.484]	60.96 [2.400]	24	25	7-146274-5
	60.55 [2.384]	58.42 [2.300]	23	24	7-146274-4
	58.01 [2.284]	55.88 [2.200]	22	23	7-146274-3
	55.47 [2.184]	53.34 [2.100]	21	22	7-146274-2
	52.93 [2.084]	50.80 [2.000]	20	21	7-146274-1
	50.39 [1.984]	48.26 [1.900]	19	20	7-146274-0
	47.85 [1.884]	45.72 [1.800]	18	19	6-146274-9
	45.31 [1.784]	43.18 [1.700]	17	18	6-146274-8
	42.77 [1.684]	40.64 [1.600]	16	17	6-146274-7
	40.23 [1.584]	38.10 [1.500]	15	16	6-146274-6
	37.69 [1.484]	35.56 [1.400]	14	15	6-146274-5
	35.15 [1.384]	33.02 [1.300]	13	14	6-146274-4
	32.61 [1.284]	30.48 [1.200]	12	13	6-146274-3
	30.07 [1.184]	27.94 [1.100]	11	12	6-146274-2
	27.53 [1.084]	25.40 [1.000]	10	11	6-146274-1
	24.99 [.984]	22.86 [.900]	9	10	6-146274-0
	22.45 [.884]	20.32 [.800]	8	9	5-146274-9
	19.91 [.784]	17.78 [.700]	7	8	5-146274-8
	17.37 [.684]	15.24 [.600]	6	7	5-146274-7
	14.83 [.584]	12.70 [.500]	5	6	5-146274-6
	12.29 [.484]	10.16 [.400]	4	5	5-146274-5
	9.75 [.384]	7.62 [.300]	3	4	5-146274-4
	7.21 [.284]	5.08 [.200]	2	3	5-146274-3
	4.67 [.184]	2.54 [.100]	1	2	5-146274-2
	2.13 [.084]	-	0	1	5-146274-1

PLATING	C	B	A	NO. OF POSITIONS	PART NUMBER
	101.19 [3.984]	99.06 [3.900]	39	40	4-146274-0
	98.65 [3.884]	96.52 [3.800]	38	39	3-146274-9
	96.11 [3.784]	93.98 [3.700]	37	38	3-146274-8
	93.57 [3.684]	91.44 [3.600]	36	37	3-146274-7
	91.03 [3.584]	88.90 [3.500]	35	36	3-146274-6
	88.49 [3.484]	86.36 [3.400]	34	35	3-146274-5
	85.95 [3.384]	83.82 [3.300]	33	34	3-146274-4
	83.41 [3.284]	81.28 [3.200]	32	33	3-146274-3
	80.87 [3.184]	78.74 [3.100]	31	32	3-146274-2
	78.33 [3.084]	76.20 [3.000]	30	31	3-146274-1
	75.79 [2.984]	73.66 [2.900]	29	30	3-146274-0
	73.25 [2.884]	71.12 [2.800]	28	29	2-146274-9
	70.71 [2.784]	68.58 [2.700]	27	28	2-146274-8
	68.17 [2.684]	66.04 [2.600]	26	27	2-146274-7
	65.63 [2.584]	63.5 [2.500]	25	26	2-146274-6
	63.09 [2.484]	60.96 [2.400]	24	25	2-146274-5
	60.55 [2.384]	58.42 [2.300]	23	24	2-146274-4
	58.01 [2.284]	55.88 [2.200]	22	23	2-146274-3
	55.47 [2.184]	53.34 [2.100]	21	22	2-146274-2
	52.93 [2.084]	50.80 [2.000]	20	21	2-146274-1
	50.39 [1.984]	48.26 [1.900]	19	20	2-146274-0
	47.85 [1.884]	45.72 [1.800]	18	19	1-146274-9
	45.31 [1.784]	43.18 [1.700]	17	18	1-146274-8
	42.77 [1.684]	40.64 [1.600]	16	17	1-146274-7
	40.23 [1.584]	38.10 [1.500]	15	16	1-146274-6
	37.69 [1.484]	35.56 [1.400]	14	15	1-146274-5
	35.15 [1.384]	33.02 [1.300]	13	14	1-146274-4
	32.61 [1.284]	30.48 [1.200]	12	13	1-146274-3
	30.07 [1.184]	27.94 [1.100]	11	12	1-146274-2
	27.53 [1.084]	25.40 [1.000]	10	11	1-146274-1
	24.99 [.984]	22.86 [.900]	9	10	1-146274-0
	22.45 [.884]	20.32 [.800]	8	9	1-146274-9
	19.91 [.784]	17.78 [.700]	7	8	1-146274-8
	17.37 [.684]	15.24 [.600]	6	7	1-146274-7
	14.83 [.584]	12.70 [.500]	5	6	1-146274-6
	12.29 [.484]	10.16 [.400]	4	5	1-146274-5
	9.75 [.384]	7.62 [.300]	3	4	1-146274-4
	7.21 [.284]	5.08 [.200]	2	3	1-146274-3
	4.67 [.184]	2.54 [.100]	1	2	1-146274-2
	2.13 [.084]	-	0	1	1-146274-1

THIS DRAWING IS A CONTROLLED DOCUMENT.

DIMENSIONS: mm [INCHES]	TOLERANCES UNLESS OTHERWISE SPECIFIED:	0 PLC ± -	1 PLC ± -	2 PLC ± 0.51[.02]	3 PLC ± 0.12[.005]	4 PLC ± 0.012[.0005]	ANGLES ± -
-------------------------	--	-----------	-----------	-------------------	--------------------	----------------------	------------

MATERIAL: 4 FINISH: SEE TABLE WEIGHT: A1 00779 C=146274

CUSTOMER DRAWING SCALE: 4:1 SHEET 1 OF 1 REV H1

STE TE Connectivity

HEADER ASSEMBLY, MOD II, BREAKAWAY, SINGLE ROW, HIGH TEMPERATURE, VERTICAL

# Mouser Electronics

Authorized Distributor

Click to View Pricing, Inventory, Delivery & Lifecycle Information:

[TE Connectivity:](#)

[6-146274-0](#)