



DC axial fans

Series 3300 NU 92 x 92 x 32 mm



Highlights:

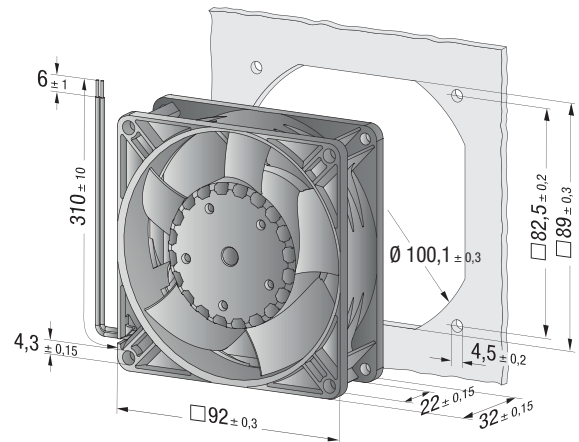
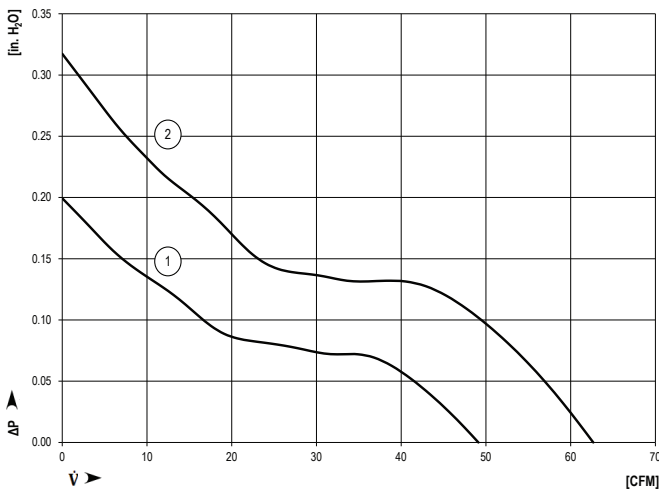
- Motor protection against reverse polarity and locking.
- Air exhaust over struts
- Connection via 310 mm strands AWG 22, TR 64, bared and tin-plated
- Ingress protection rating of IP68

Material: Housing: Fiberglass-reinforced PBT composite
 Impeller: Fiberglass-reinforced PA composite

Direction of rotation: Clockwise, seen on rotor

Nominal Data		Air flow	Nominal voltage	Voltage range	Sound pressure level	Sound power level	Ball bearings	Power input	Speed	Temperature range	Mass	Ingress Protection Rating	UL Approval	Curves
Type		CFM	VDC	VDC	dB(A)	Bel(A)		Watts	RPM	°C	g			
3312 NNU		47.1	12	6...15	35	4.7	Yes	1.8	2650	-20...75	190	IP68	Yes	1
3314 NNU		47.1	24	18...28	35	4.7	Yes	1.8	2650	-20...75	190	IP68	Yes	1
3314 NHHU		61.2	24	18...28	42	5.4	Yes	3.5	3450	-20...75	190	IP68	Yes	2

Curves



Mouser Electronics

Authorized Distributor

Click to View Pricing, Inventory, Delivery & Lifecycle Information:

[ebm-papst:](#)

[3314NNU](#) [3312NNU](#) [3314NHHU](#)