

## Support bracket - AB/NS - 1201141

Please be informed that the data shown in this PDF Document is generated from our Online Catalog. Please find the complete data in the user's documentation. Our General Terms of Use for Downloads are valid (<http://phoenixcontact.com/download>)




Support bracket, for insulated mounting of DIN rails in insulated systems, plastic, 21 mm high

### Product Features

- The support can be used for fully insulated DIN rail support bracket



### Key Commercial Data

Packing unit	1 pc
Minimum order quantity	10 pc
GTIN	 4 017918 017248
Weight per Piece (excluding packing)	17.43 g
Custom tariff number	85472000
Country of origin	Germany

### Technical data

#### Dimensions

Length (b)	35 mm
Width (a)	38 mm
Height	21 mm

#### General

Color	gray
Flammability rating according to UL 94	V2
Material	PA
Coating	uncoated

### Standards and Regulations

# Support bracket - AB/NS - 1201141

## Technical data

### Standards and Regulations

Flammability rating according to UL 94	V2
--	----

## Classifications

### eCl@ss

eCl@ss 4.0	23150301
eCl@ss 4.1	23150301
eCl@ss 5.0	27141143
eCl@ss 5.1	27141143
eCl@ss 6.0	27400607
eCl@ss 7.0	27400607
eCl@ss 8.0	27409221

### ETIM

ETIM 2.0	EC000761
ETIM 3.0	EC000761
ETIM 4.0	EC002270
ETIM 5.0	EC001024

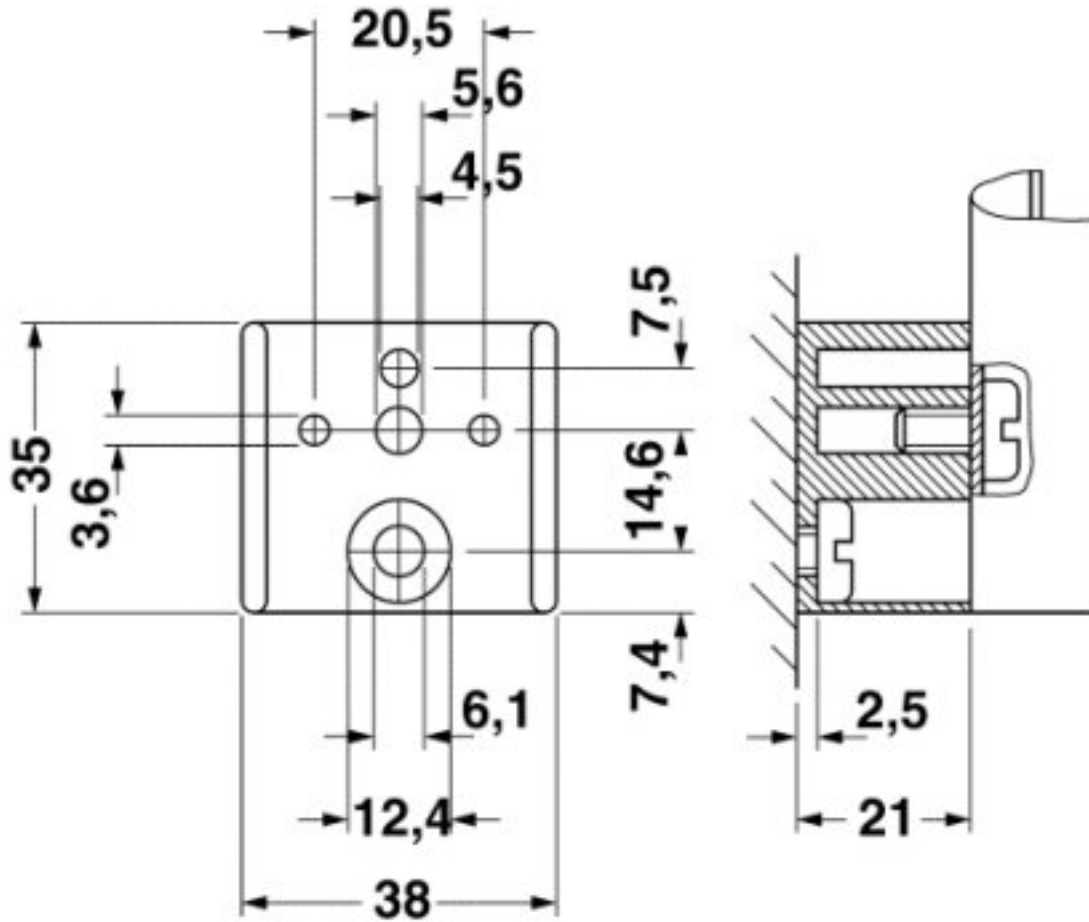
### UNSPSC

UNSPSC 6.01	30212109
UNSPSC 7.0901	39121708
UNSPSC 11	39121708
UNSPSC 12.01	39121708
UNSPSC 13.2	39121708

## Drawings

# Support bracket - AB/NS - 1201141

Dimensional drawing



# Mouser Electronics

Authorized Distributor

Click to View Pricing, Inventory, Delivery & Lifecycle Information:

[Phoenix Contact:](#)

[1201141](#)