

THIS DRAWING IS UNPUBLISHED.

RELEASED FOR PUBLICATION

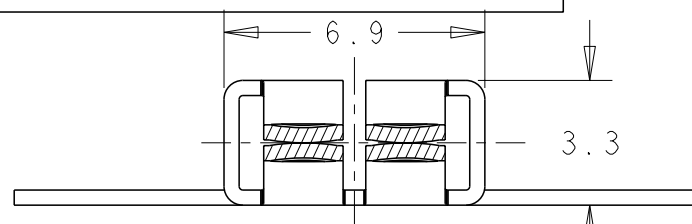
© COPYRIGHT - BY -

ALL RIGHTS RESERVED.

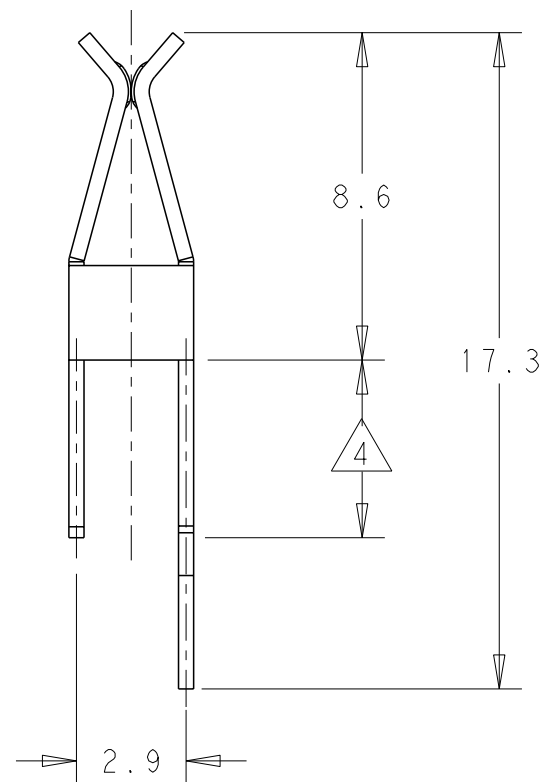
REVISIONS

P	LTR	DESCRIPTION	DATE	DWN	APVD
	D1	E-17-018108	12DEC2017	SCK	MN
	D	ECR 14-000746	17APR2014	JCB	RS
	C	EH-0178-97	20FEB1997	JvL	RotB
	B	EH-1388-95	14NOV1995	JvL	RotB

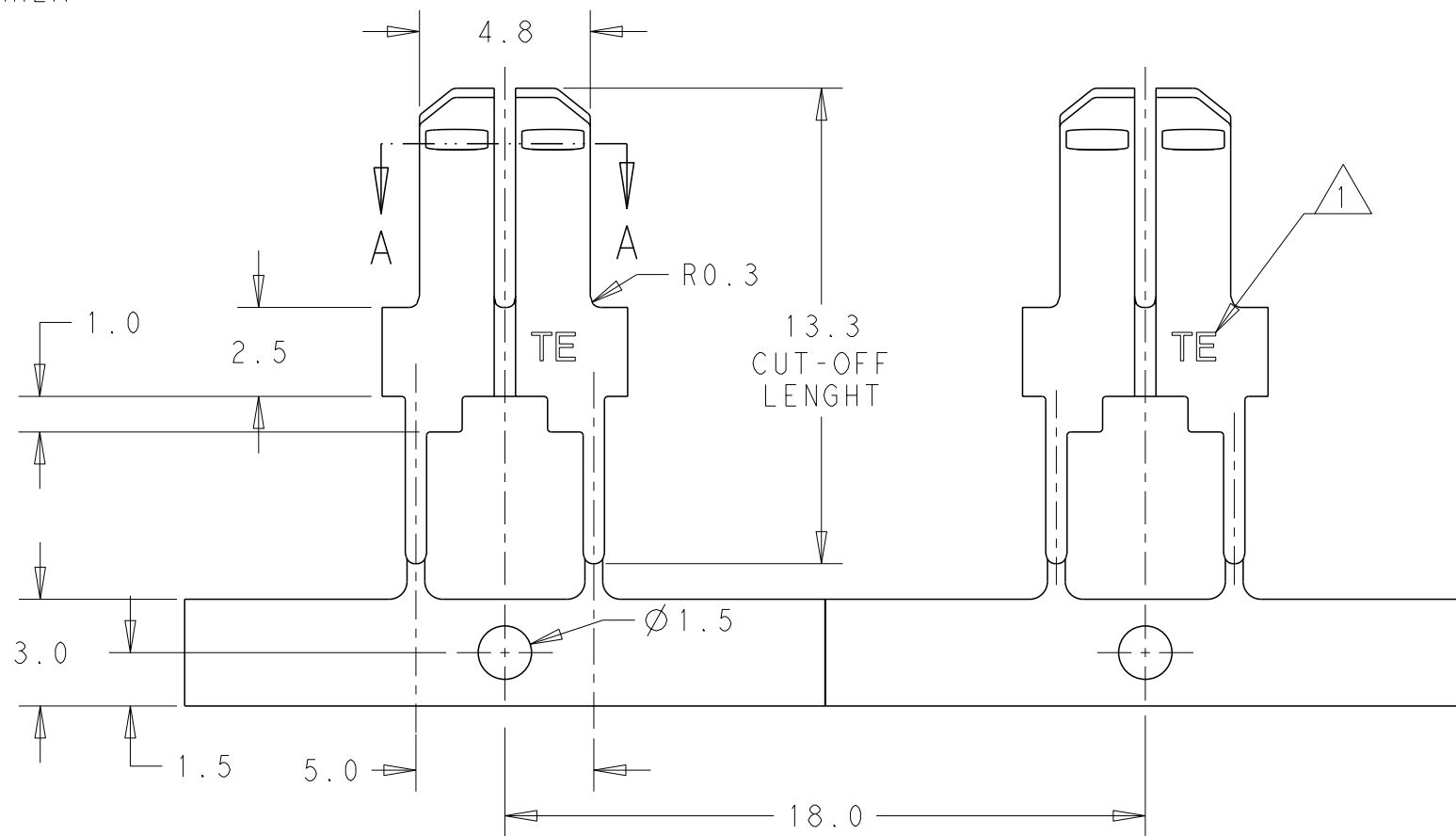
- 1 TE TRADE MARK
- 2 PRETINNED 2 μm MIN. ALL OVER
- 3 LOOSE PIECE VERSION
- 4 POSTTINNED 3 μm MIN. IN THIS AREA



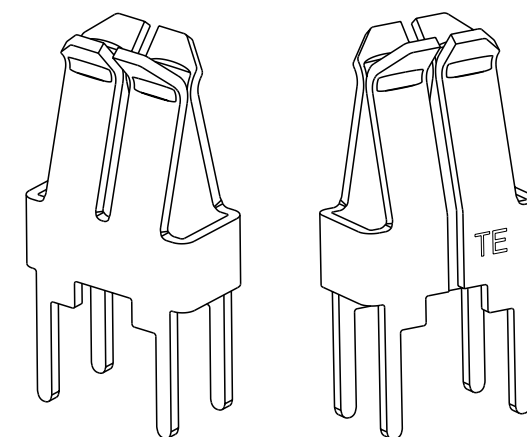
SECTION A-A
SCALE 5:1



P.C.B. LAYOUT

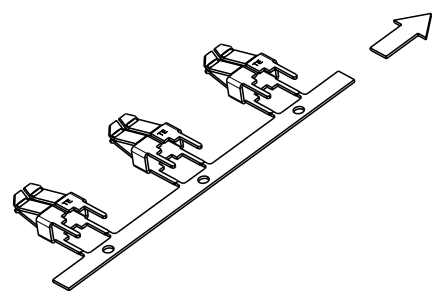
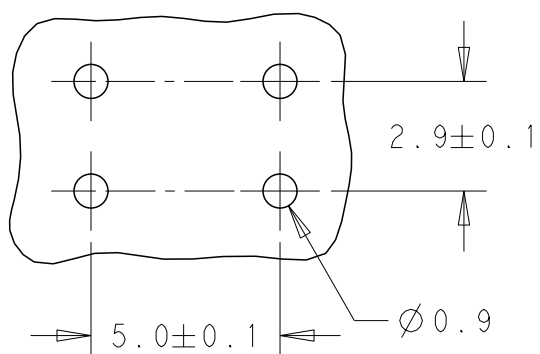


DIRECTION OFF TOP OF REEL



SCALE 4:1

TINPLATED	PHOSPHORBRONZE	1-188865-3	3	G
TINPLATED 2 4	PHOSPHORBRONZE	188685-3		G
PRETINNED	PHOSPHORBRONZE	1-188685-2	3	G
PRETINNED 2	PHOSPHORBRONZE	188685-2		G
FINISH	MATERIAL	PN		REV



THIS DRAWING IS A CONTROLLED DOCUMENT.		DWN J. CARRETERO 15-May-14	 TE Connectivity NAME STANDARD TIMER CONTACT FOR P.C.B. APPLICATION SIZE CAGE CODE DRAWING NO RESTRICTED TO A300779 C-188685 -	
DIMENSIONS: mm		CHK X. PARERAS 15-May-14		
TOLERANCES UNLESS OTHERWISE SPECIFIED:		APVD R. SOLE 15-May-14		
0 PLC ±- 1 PLC ±0.3 2 PLC ±0.01 3 PLC ±0.001 4 PLC ±0.0001 ANGLES ±-		PRODUCT SPEC -		
MATERIAL SEE TABLE		FINISH SEE TABLE	APPLICATION SPEC -	WEIGHT -
CUSTOMER DRAWING			SCALE 5:1	SHEET 1 OF 1
			REV D1	

Mouser Electronics

Authorized Distributor

Click to View Pricing, Inventory, Delivery & Lifecycle Information:

[TE Connectivity:](#)

[1-188685-2](#)