

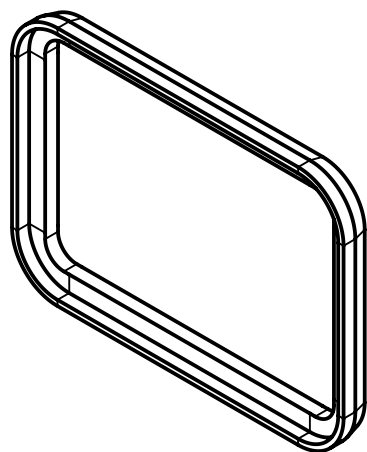
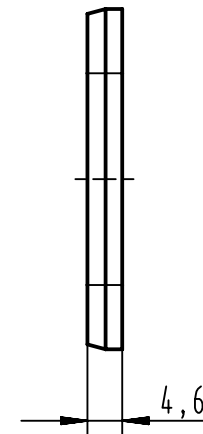
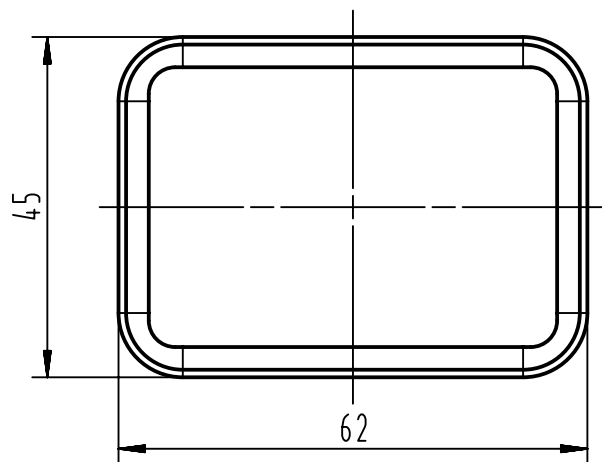
1 2 3 4 5 6



A

B

C

D



	All rights reserved Department EL PD - DE	Created by FINKEV		Inspected by MOOR		Standardisation SCHMIDTM		Date 2012-08-29		State Final Release	
		Title L-seal Han 6B								Doc-Key / ECM-Nr. 100087703/UGD/003/A	
HARTING Electric GmbH & Co. KG D-32339 Espelkamp		Type TB		Number 09 30 000 9936				Rev. A		Page 1/1	
 All Dimensions in mm Original Size DIN A4		Scale 1:1		Free size tol.				Ref.		Sub.	

Mouser Electronics

Authorized Distributor

Click to View Pricing, Inventory, Delivery & Lifecycle Information:

[HARTING:](#)

[09300009936](#)