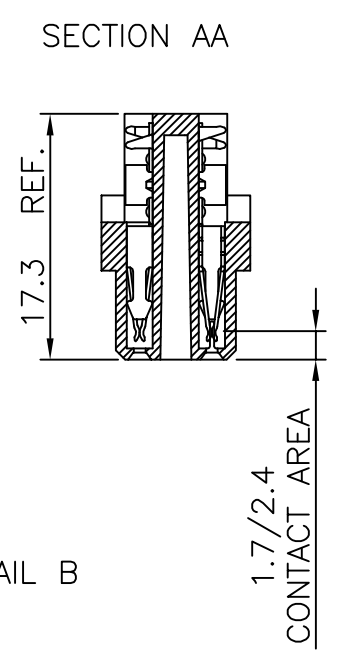
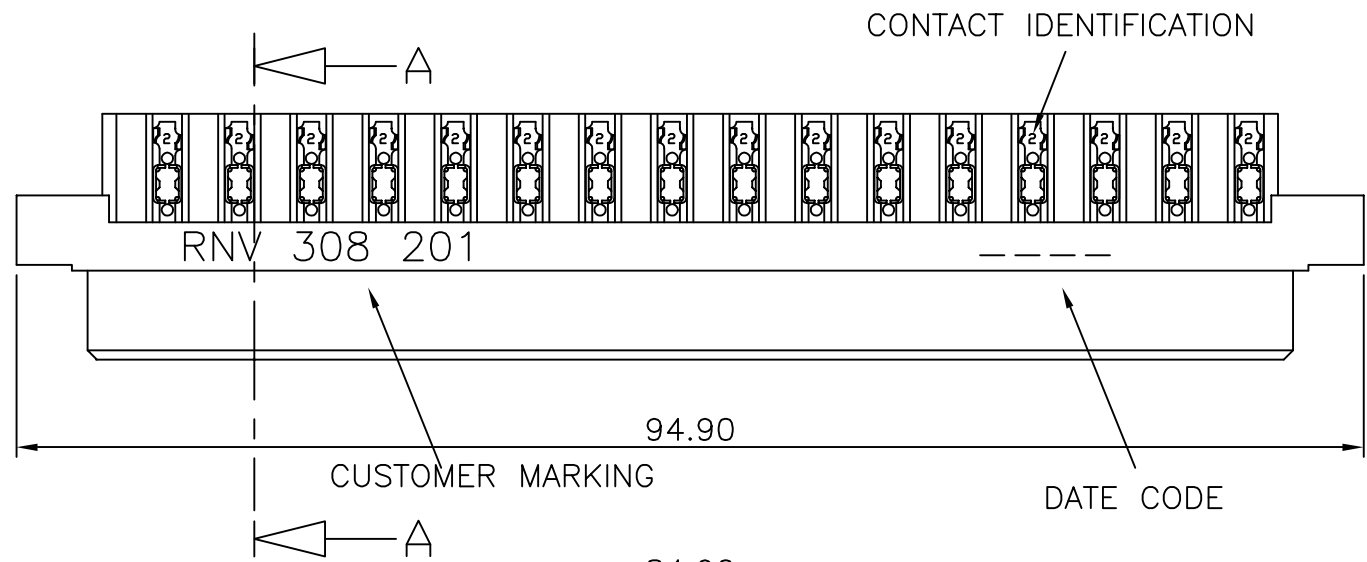
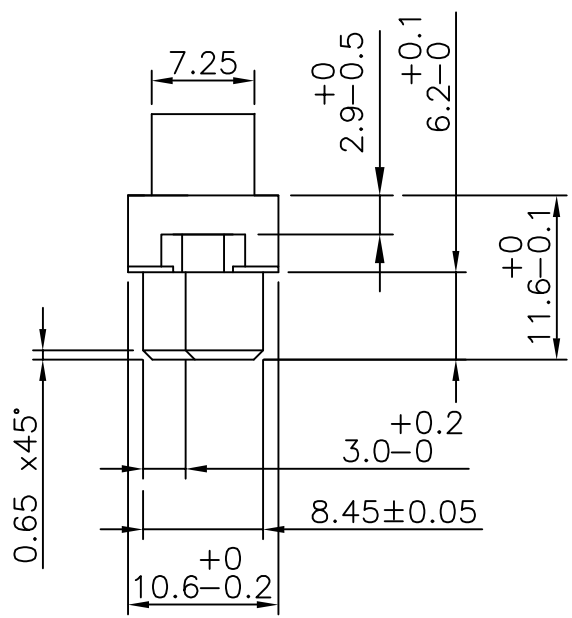


PRODUCT NUMBER BPS8B96KKD200L9 ← LEADED PRODUCT

PRODUCT NUMBER BPS8B96KKD200L9LF ← LEAD FREE OR RoHS COMPATIBLE PRODUCT



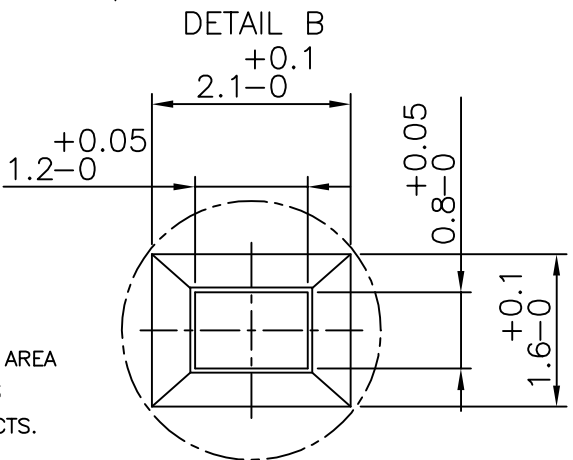
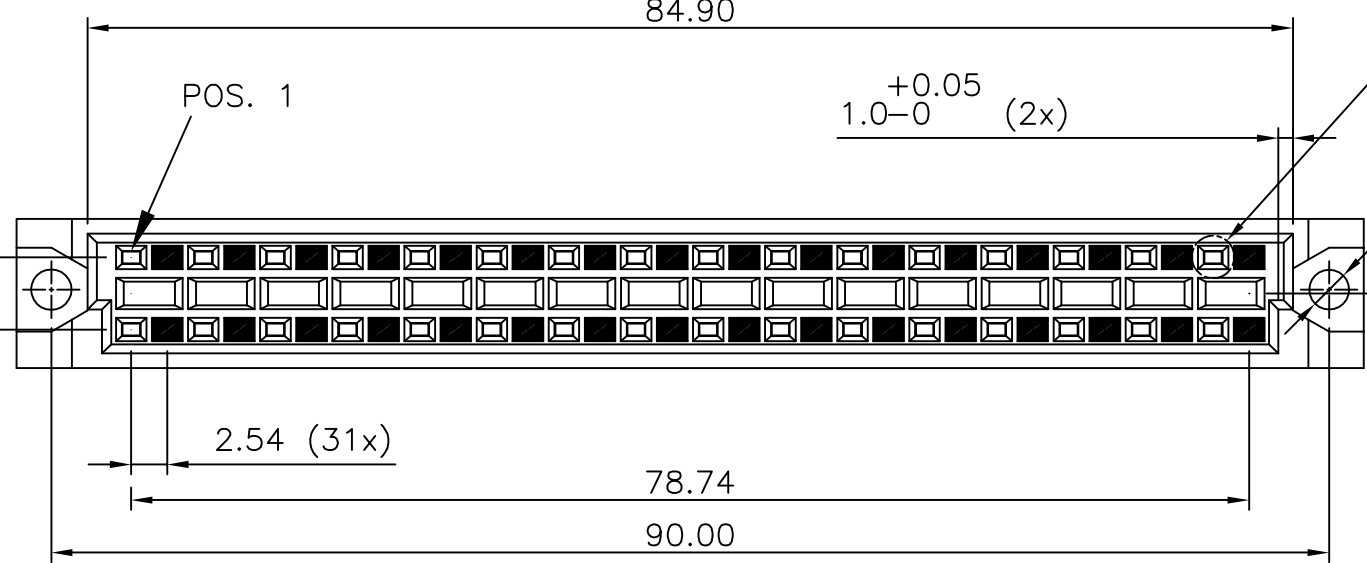
**CONTACT ARRANGEMENT**  

 CAVITIES EQUIPPED WITH CONTACTS  
 CAVITIES WITHOUT CONTACTS

**PERFORMANCES CHARACTERISTICS**  
 VOLTAGE RATING : 250 VAC (rms)  
 CURRENT RATING : 1,5 A AT 25 °C, 1 A AT 70 °C.  
 INSULATION RESISTANCE : 1000 MΩ INITIAL, 100 MΩ MIN. AFTER TEST  
 DIELECTRIC WITH-  
 STANDING VOLTAGE : 1000 VAC (rms).  
 CONTACT RESISTANCE : 15 mΩ MAX. INITIAL, 5 mΩ MAX. RISE OF INITIAL VALUE AFTER TEST.  
 OPERATING TEMPERATURE\*: -40 °C TO +125 °C.  
 INSERTION FORCE : 1 N MAX./CONTACT.  
 WITHDRAWAL FORCE : 0,2 N MIN./CONTACT.  
 \*DEPENDING ON THE CABLE, THE MAX. TEMPERATURE CAN BE LOWER.  
 FOR STANDARD PVC INSULATED CABLE : 105 °C MAX.

**CONSTRUCTION**  
 BODY MATERIAL : GLASS-REINFORCED THERMOPLASTIC (UL94V-0).  
 CONTACT MATERIAL : PHOSPHOR BRONZE.  
 CONTACT FINISH : 1.25 μm Au MIN. OVER 2 μm Ni MIN. IN CONTACT AREA  
 3μm MAX. SnPb OVER Ni ON I.D.C TERMINAL FOR LEADED PRODUCTS  
 Sn (MATTE TIN) OVER Ni ON I.D.C TERMINAL FOR LEAD FREE PRODUCTS.  
 CABLE : AWG24 & AWG26 (CONTACT IDENTIFICATION = 2)

**CUSTOMER MARKING**  
 PARTNUMBER ERICSSON : RNV 308 201  
**DATECODE MARKING**  
 YEAR & WEEKCODE, EXAMPLE : 9950.  
 OTHER REQUIREMENTS IN ACC. WITH : ERICSSON SPEC. 1301-RNV 308 Uen



**NOTES:-**  
 1. THE "LF" PRODUCTS MEET EUROPEAN UNION DIRECTIVES AND OTHER COUNTRY REGULATIONS AS DESCRIBED IN GS-22-008  
 2. LEAD FREE OR RoHS DIRECTIVE LABELING TO BE PROVIDED AS PER GS-14-920 FOR RoHS COMPATIBLE VERSION.

mat'l. code		surface		tolerance		projection		product family	
SEE NOTE		ISO 1302		ISO 406 ISO 1101				BPS8	
litr		ecn no		dr		date		title	
A		F00819		DLE		2000-10-18		ASSY BPS8	
B		105-0156		MINI		2005-09-06		96 POS. A,C LOADED SPECIA	
C		106-0067		MINI		2006-06-01		dwg no	
								sheet 1 of 1	
								size	
								A3	
								type	
								Product Customer Drawing	
sheet index		revision sheet		C		1			

Copyright FCI  
 FCIconnect.com  
 form: A3

# Mouser Electronics

Authorized Distributor

Click to View Pricing, Inventory, Delivery & Lifecycle Information:

[FCI / Amphenol:](#)

[BPS8B96KKD200L9LF](#)