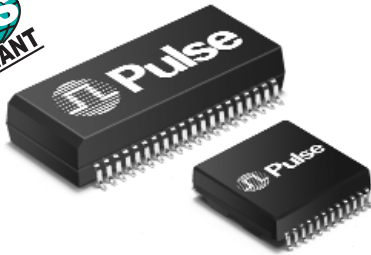






# 10/100BASE-TX DUAL PORT TRANSFORMER MODULES

## For Use with Transceivers Requiring 1:1 Transmit and Receive Turns Ratios



-  RoHS-5 peak reflow temperature rating 235°C
-  RoHS-6 peak reflow temperature rating 245°C
-  Meets IEEE 802.3 specification
-  Some models offer AutoMDIX capability

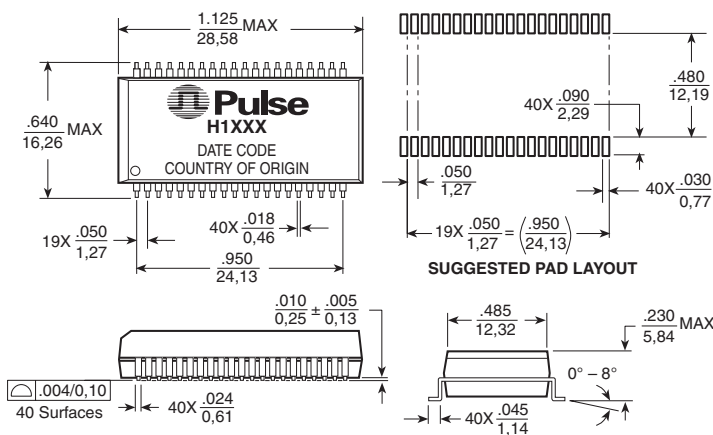
### Electrical Specifications @ 25°C — Operating Temperature 0°C to 70°C

RoHS-6 <sup>5</sup> Compliant Part Number	RoHS-5 <sup>4</sup> Compliant Part Number	Insertion Loss (dB TYP)	Return Loss (dB MIN)				Crosstalk (dB TYP)				Differential to Common Mode Rejection (dB TYP)	
			0.1-100MHz	2-30MHz	40MHz	50MHz	60-80MHz	1MHz	30MHz	60MHz	100MHz	1-60MHz
H1026NL	H1026	-0.5	-21	-17	-14.5	-12	-65	-55	-45	-35	-40	-30
H1027NL <sup>6d</sup>	H1027	-0.5	-21	-17	-14.5	-12	-65	-55	-45	-35	-53	-40
H1028NL <sup>6d</sup>	H1028	-0.5	-21	-17	-14.5	-12	-65	-55	-45	-35	-45	-35
H1049 NL <sup>6d</sup>	—	-0.5	-21	-17	-14.5	-12	-65	-55	-45	-35	-45	-35
H1114 NL <sup>6d</sup>	H1114	-1.2	-16	-14	-13	-12	-50	-45	-40	-35	-37	-33
H1200NL <sup>6d</sup>	—	-1.0	-16	-14.4	-13	-12	-50	-45	-40	-35	-37	-33
H1174 NL <sup>6a</sup>	H1174	-1.2	-18	-16	-14	-12	-60	-45	-40	-35	-45	-35
H1270NL <sup>2, 6a</sup>	H1270 <sup>2, 6a</sup>	-1.2	-18	-16	-14	-12	-60	-45	-40	-35	-45	-35
HX1294NL <sup>2, 3, 6a</sup>	HX1294 <sup>2, 3, 6c</sup>	-1.2	-16	-14	-13.5	-10	-55	-45	-40	-35	-30	-20

- All models** meet input/output breakdown (Hipot) of 1500 Vrms.
- Suitable** for AutoMDIX applications.
- Operating Temperature** -40°C to +85°C.
- RoHS-5:** Product does not contain 5 out of the 6 banned substances specified in the RoHS directive (product contains lead in applications considered solder).
- RoHS-6:** Product does not contain 5 out of the 6 banned substances specified in the RoHS directive. Some internal connections may contain lead in high-temperature solder (solder alloys containing more than 85% lead).
- MSL** = Moisture Sensitivity Level **a=1 b=2 c=3 d=4**.

## Mechanicals

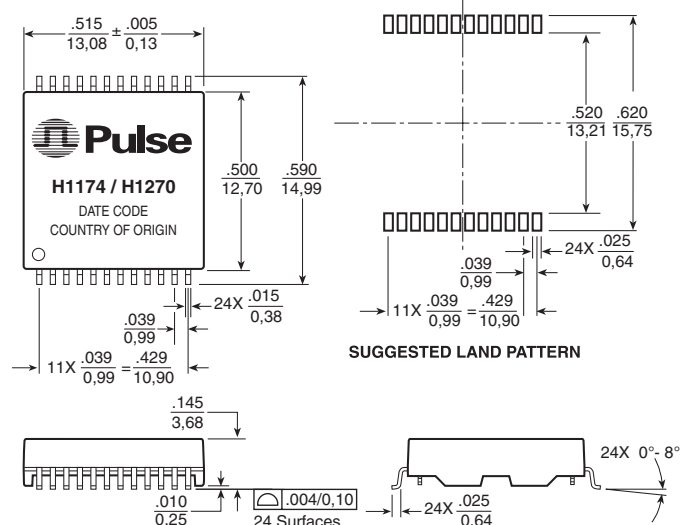
### H1XXX



Dimensions:  $\frac{\text{Inches}}{\text{mm}}$

Unless otherwise specified, all tolerances are  $\pm \frac{.010}{0,25}$

### H1174/H1270



# 10/100BASE-TX DUAL PORT TRANSFORMER MODULES

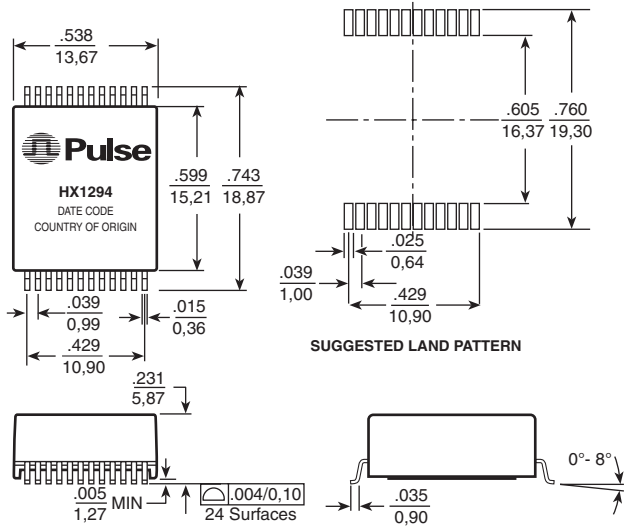
## For Use with Transceivers Requiring 1:1 Transmit and Receive Turns Ratios



### Mechanicals (continued)

### Schematics

#### HX1294

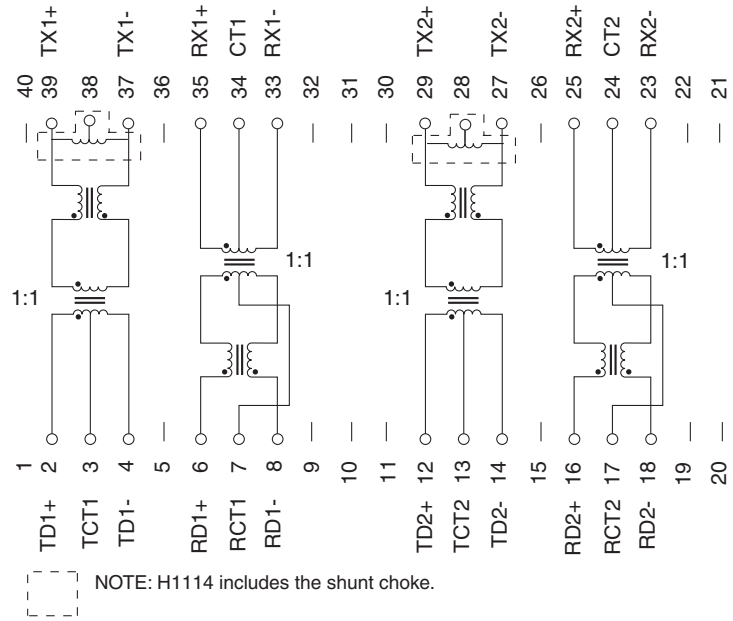


Dimensions:  $\frac{\text{Inches}}{\text{mm}}$

Unless otherwise specified,  
all tolerances are  $\pm \frac{.010}{0,25}$

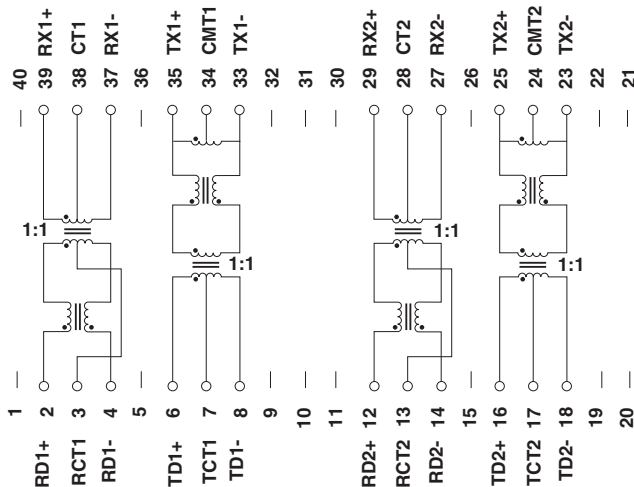
Weight .....1.6 grams  
Tape & Reel .....300/reel  
Tube .....35/tube

#### H1026, H1114

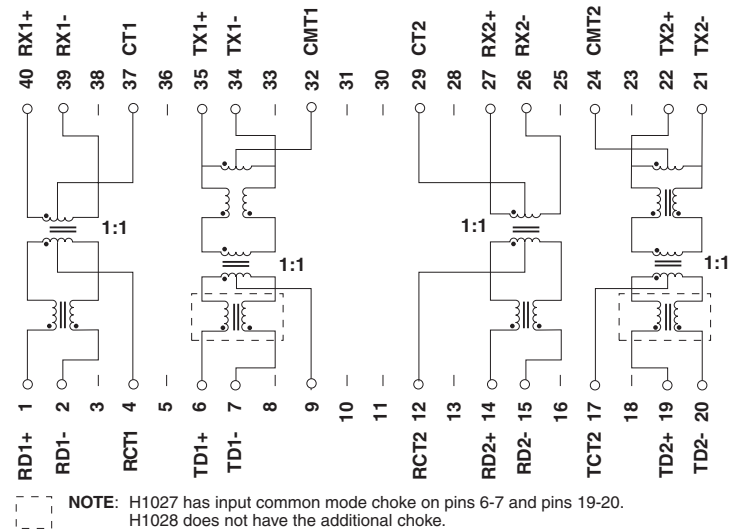


### Schematics (continued)

#### H1049



#### H1027, H1028



NOTE: H1027 has input common mode choke on pins 6-7 and pins 19-20.  
H1028 does not have the additional choke.

**Dual Port Solutions:** The H1027, H1028, H1049, and H1026 are designed to support two RJ-45 connectors. The H1027 and the H1028 have the same pinout. The H1027 has an additional common mode choke on both transmit channels. The H1049 and the H1026 offer different pinouts for design flexibility.

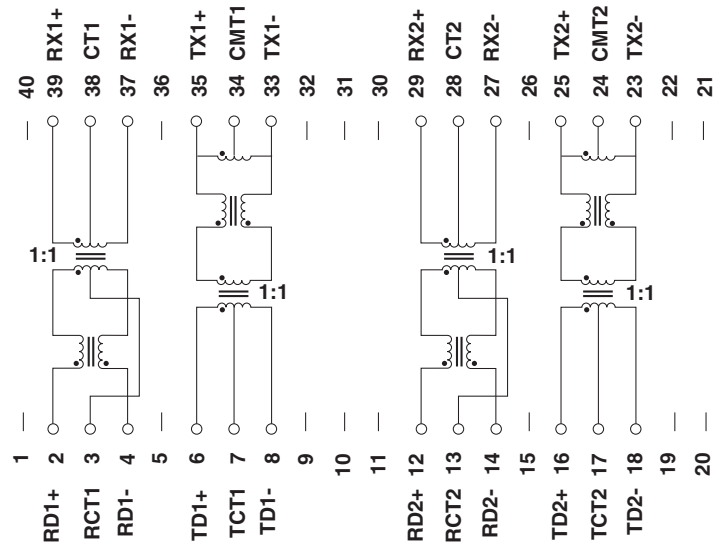
# 10/100BASE-TX DUAL PORT TRANSFORMER MODULES

For Use with Transceivers Requiring  
1:1 Transmit and Receive Turns Ratios

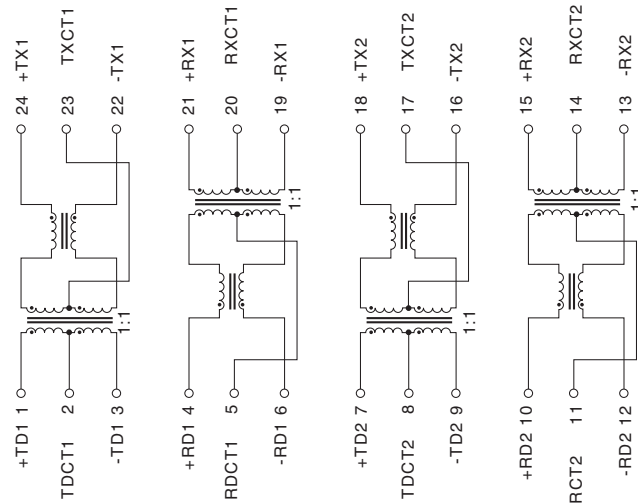


## Schematics (continued)

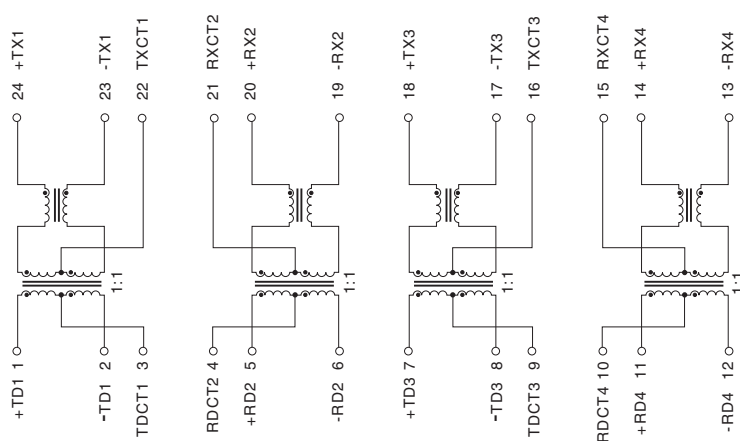
### H1200



### H1174



### H1270, HX1294



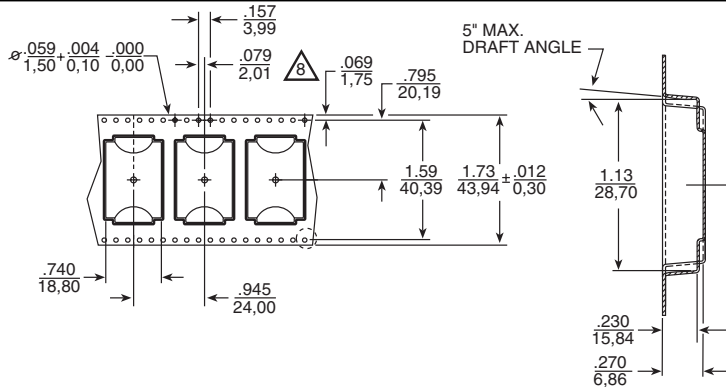
# 10/100BASE-TX DUAL PORT TRANSFORMER MODULES

## For Use with Transceivers Requiring 1:1 Transmit and Receive Turns Ratios



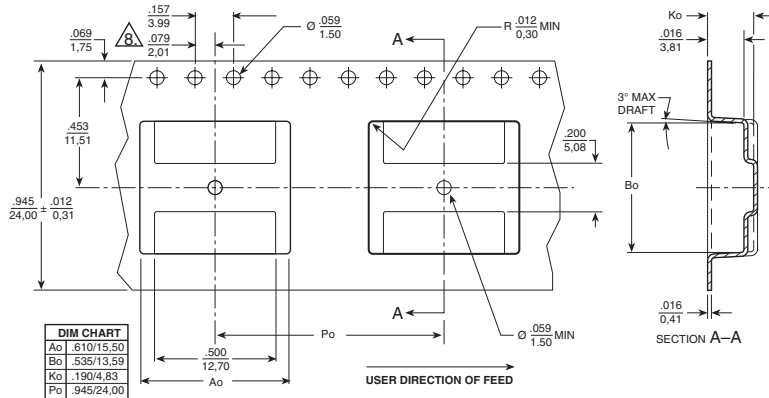
### Tape & Reel Specifications

#### H1XXX



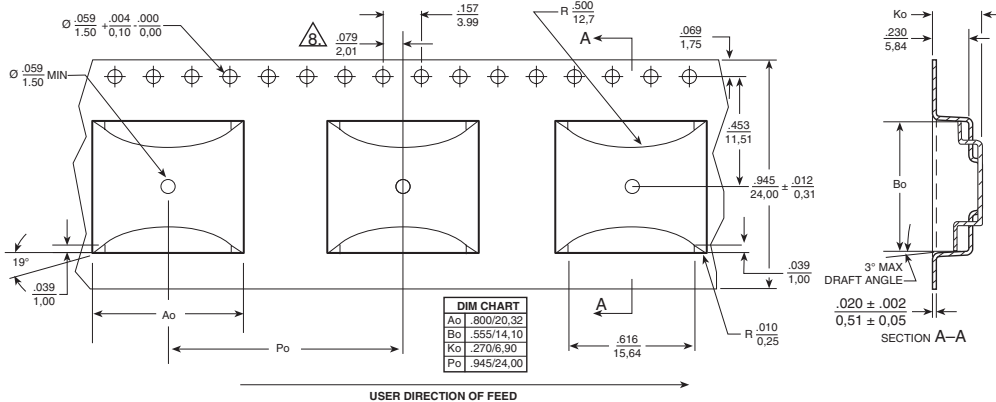
Weight ..... 4.0 grams TYP  
 Tube ..... .15/tube  
 Tape & Reel ..... .250/reel

#### H1174/H1270



Weight ..... 1.5 grams TYP  
 Tube ..... .35/tube  
 Tape & Reel ..... .500/reel

#### HX1294



### For More Information:

**Pulse Worldwide Headquarters**  
 12220 World Trade Dr.  
 San Diego, CA 92128  
 U.S.A.

**Pulse Europe**  
 Einsteinstrasse 1  
 D-71083 Herrenberg  
 Germany

**Pulse China Headquarters**  
 B402, Shenzhen Academy of  
 Aerospace Technology Bldg.  
 10th Kejinan Rd.  
 High-Tech Zone  
 Nanshan District  
 Shenzhen, PR China 518057

**Pulse North China**  
 Room 1503  
 XinYin Building  
 No. 888 YiShan Rd.  
 Shanghai 200233  
 China

**Pulse South Asia**  
 150 Kampong Ampat  
 #07-01/02  
 KA Centre  
 Singapore 368324

**Pulse North Asia**  
 No. 26, Kao Ching Rd.  
 Yang Mei Chen  
 Taoyuan Hsien  
 Taiwan  
 R. O. C.

[www.pulseeng.com](http://www.pulseeng.com)

Tel: 858 674 8100  
 Fax: 858 674 8262

Tel: 49 7032 7806 0  
 Fax: 49 7032 7806 135

TEL: 86 755 33966678  
 FAX: 86 755 33966700

Tel: 86 21 54643211/2  
 Fax: 86 21 54643210

Tel: 65 6287 8998  
 Fax: 65 6280 0080

Tel: 886 3 4643715  
 Fax: 886 3 4641911

Performance warranty of products offered on this data sheet is limited to the parameters specified. Data is subject to change without notice. Other brand and product names mentioned herein may be trademarks or registered trademarks of their respective owners.

© Copyright, 2008. Pulse Engineering, Inc. All rights reserved.

# Mouser Electronics

Authorized Distributor

Click to View Pricing, Inventory, Delivery & Lifecycle Information:

Pulse:

[H1174](#) [H1174T](#) [H1049T](#) [H1200T](#) [H1200](#) [H1270](#) [H1270T](#) [H1028T](#) [H1027T](#) [H1026T](#) [H1049](#) [H1200NLT](#)  
[H1027NL](#) [H1200NL](#) [H1049NL](#) [H1028NLT](#) [H1174NLT](#) [H1049NLT](#) [H1027NLT](#) [H1028NL](#)