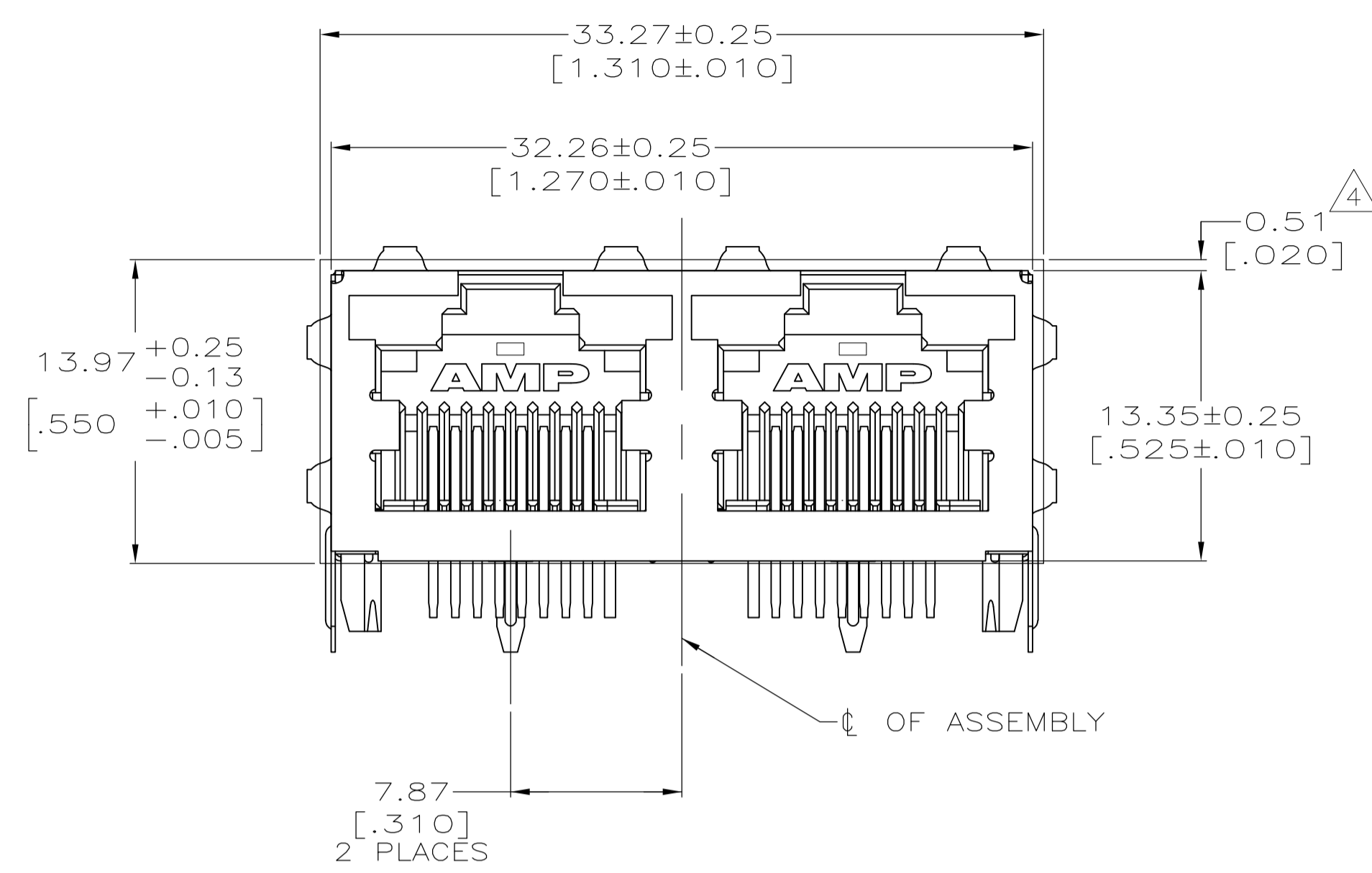
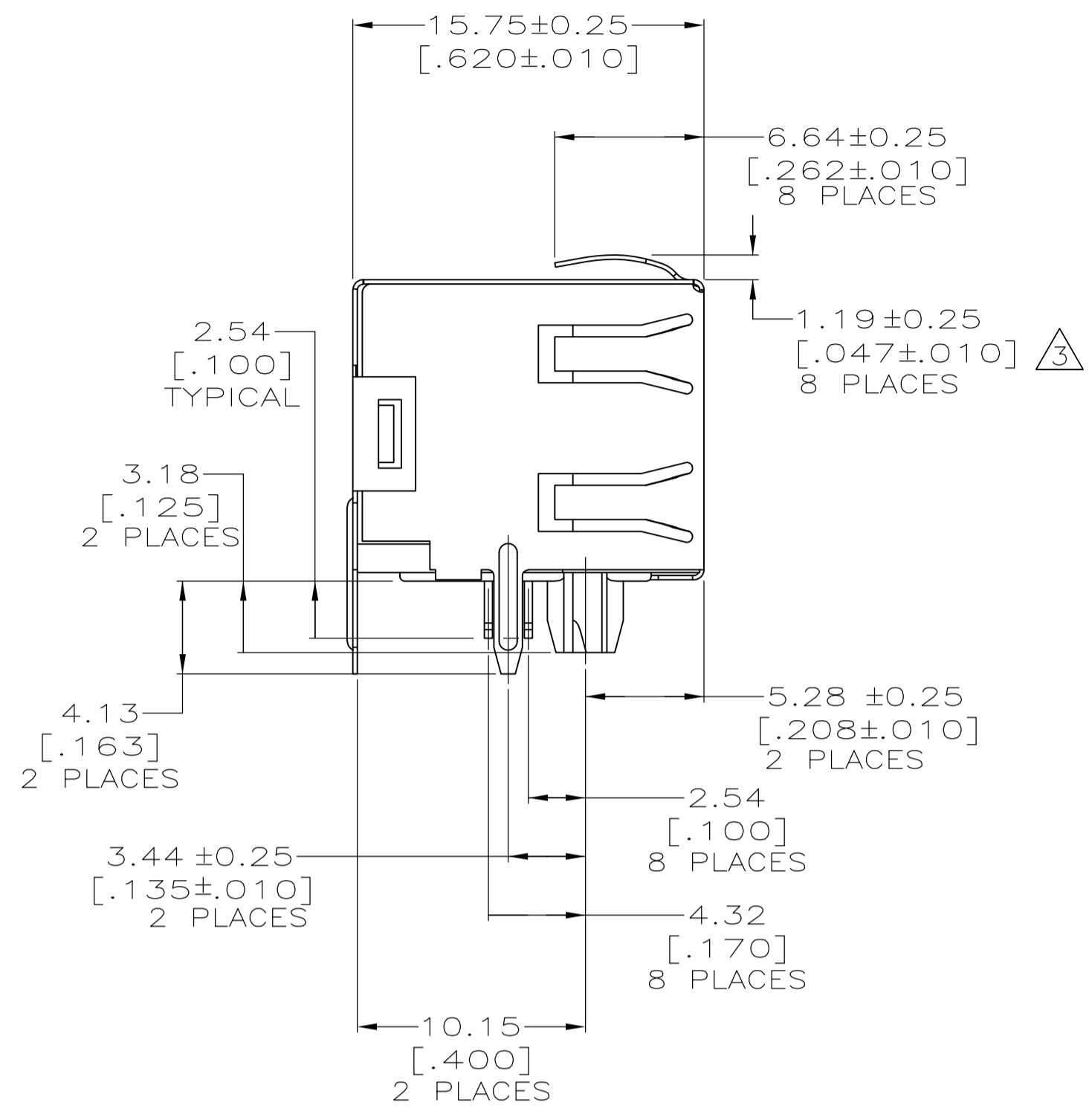
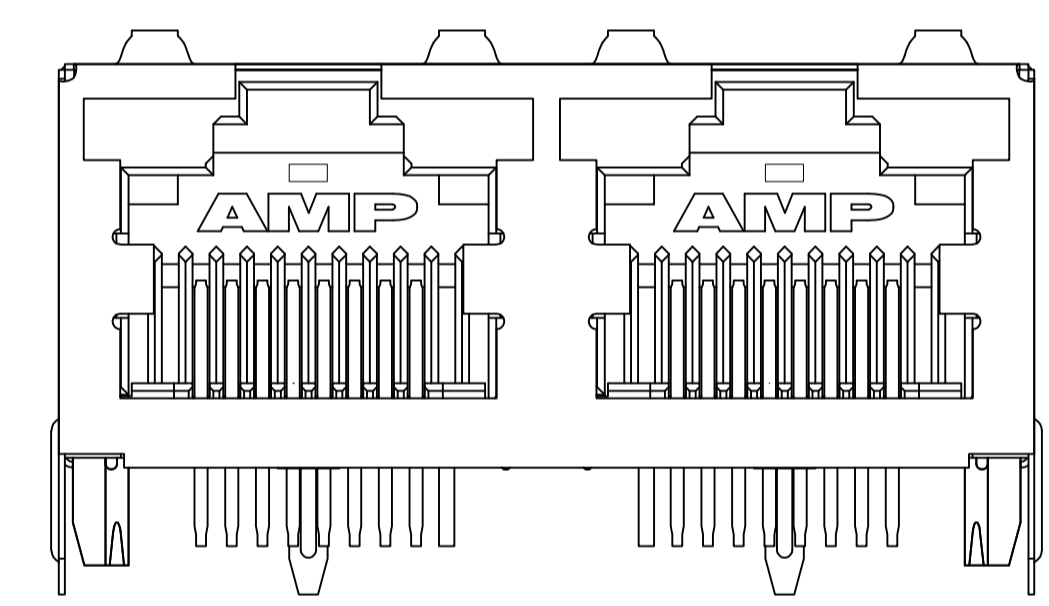


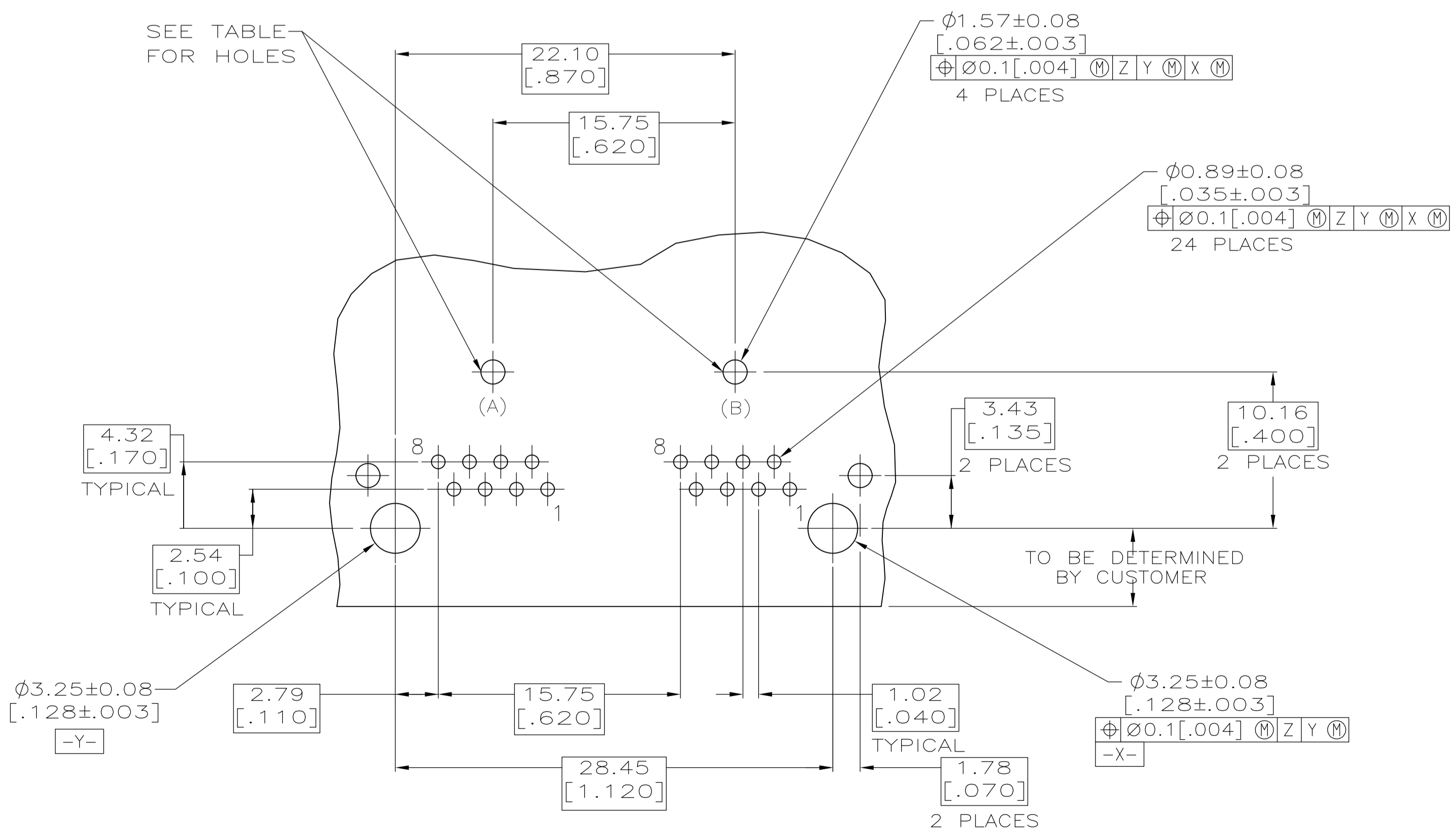
| REVISIONS |               |             |           |       |
|-----------|---------------|-------------|-----------|-------|
| P         | LTR           | DESCRIPTION | DATE      | OWN   |
| A4        | ECO-16-010974 |             | 25JUL2016 | AD SH |



- △ MATERIAL: HOUSING – HIGH TEMPERATURE THERMOPLASTIC, BLACK, UL94V-0; IR REFLOW SOLDERING PROCESS COMPATIBLE. TERMINALS – 0.36[.014] THICK PHOS BRONZE PLATED WITH 3.81µm[.000150] MINIMUM THICK MATTE TIN IN SOLDER AREA. 1.27µm [.000050] MINIMUM GOLD IN LOCALIZED PLATE AREA. ENTIRE TERMINAL PLATED WITH 1.27µm [.000050] MINIMUM THICK NICKEL. SHIELD – 0.196[.0077] THICK COPPER ZINC ALLOY PREPLATED WITH 1.27µm [.000050] MINIMUM SATIN NICKEL WITH 2.03µm [.000080] MINIMUM TIN POST DIPPED ON PCB GROUND TABS.
- 2. JACK CAVITY CONFORMS TO FCC RULES AND REGULATIONS PART 68, SUBPART F.
- △ SUGGESTED PANEL OPENING DIMENSIONS.
- △ SUGGESTED CLEARANCE BETWEEN TOP OF CONNECTOR AND TOP PANEL OPENING.
- △ TAPE&REEL PACKAGING WITH ANTISTATIC.



PN: 6116522-3  
SIMILAR TO 6116522-1, BUT WITHOUT EMI FINGERS ON BOTH SID



SUGGESTED PRINTED CIRCUIT BOARD LAYOUT (COMPONENT SIDE)

| REAR TABS | EMI FINGERS | PACKAGE | PART NUMBER |
|-----------|-------------|---------|-------------|
| 2         | 4           | TRAY    | 6116522-3   |
| 2         | 8           | △ T&R   | 6116522-2   |
| 2         | 8           | TRAY    | 6116522-1   |

|  |  |                                |  |   |  |
|--|--|--------------------------------|--|---|--|
| THIS DRAWING IS A CONTROLLED DOCUMENT. |  | BIN L VARELA - DOCKS 10JUN2005 |  | TE Connectivity   |  |
| DIMENSIONS: mm [INCHES]                |  | CHK J. WESTMAN 10JUN2005       |  |   |  |
| TOLERANCES UNLESS OTHERWISE SPECIFIED: |  | APVD S. FLICKINGER 10JUN2005   |  | NAME  |  |
| 0 PLC ± -                              |  | PRODUCT SPEC                   |  | INVERTED MODULAR JACK ASSEMBLY, 1X2, SHIELDED, PANEL GROUND |  |
| 1 PLC ± -                              |  | 108-1163-4                     |  | SIZE  |  |
| 2 PLC ± 0.25(.01)                      |  | APPLICATION SPEC               |  | CAGE CODE   |  |
| 3 PLC ± 0.13(.005)                     |  | 114-2154                       |  | DRAWING NO  |  |
| 4 PLC ± -                              |  | WEIGHT 0.000000                |  | RESTRICTED TO   |  |
| ANGLES ± -                             |  | A1 00779 ©=6116522             |  | SCALE 4:1   |  |
| MATERIAL                               |  | CUSTOMER DRAWING               |  | SHEET 1 of 1  |  |
| FINISH                                 |  |                                |  | REV A4  |  |

# Mouser Electronics

Authorized Distributor

Click to View Pricing, Inventory, Delivery & Lifecycle Information:

[TE Connectivity:](#)

[6116522-1](#)