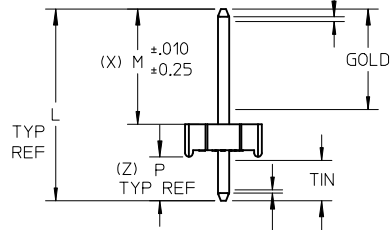
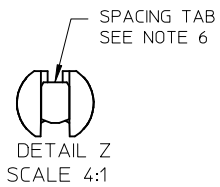
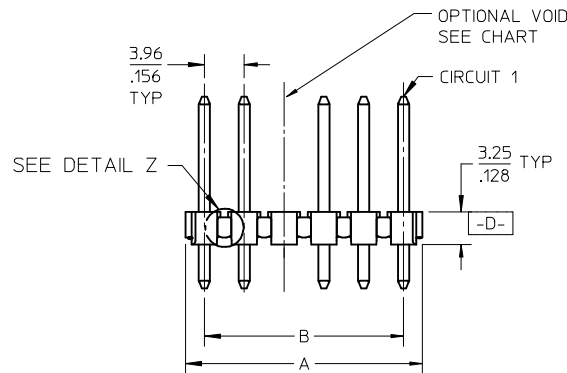


CENTERLINE OF PIN IN AREA SHOWN NOT TO VARY FROM CENTERLINE OF PIN AT DATUM -D- BY MORE THAN 0.20/.008 IN ANY DIRECTION.



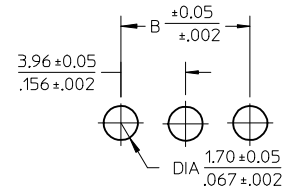
CENTERLINE OF PIN IN AREA SHOWN NOT TO VARY FROM CENTERLINE OF PIN AT DATUM -D- BY MORE THAN 0.13/.005 IN ANY DIRECTION.



| B | A | CKT SIZE |
|--------------|---------------------------|----------|
| 3.96/1.156 | 6.78-7.87 / .267-.310 | 2 |
| 7.92/2.312 | 10.74-11.84 / .423-.466 | 3 |
| 11.89/3.568 | 14.71-15.80 / .579-.622 | 4 |
| 15.85/4.824 | 18.67-19.76 / .735-.778 | 5 |
| 19.81/6.080 | 22.63-23.72 / .891-.934 | 6 |
| 23.77/7.336 | 26.59-27.69 / 1.047-1.090 | 7 |
| 27.74/8.592 | 30.56-31.65 / 1.203-1.246 | 8 |
| 31.70/9.848 | 34.52-35.61 / 1.359-1.402 | 9 |
| 35.66/11.104 | 38.48-39.57 / 1.515-1.558 | 10 |
| 39.62/12.360 | 42.44-43.54 / 1.671-1.714 | 11 |
| 43.59/13.616 | 46.41-47.50 / 1.827-1.870 | 12 |
| 47.55/14.872 | 50.37-51.46 / 1.983-2.026 | 13 |
| 51.51/16.128 | 54.33-55.42 / 2.139-2.182 | 14 |
| 55.47/17.384 | 58.29-59.39 / 2.295-2.338 | 15 |
| 59.44/18.640 | 62.26-63.35 / 2.451-2.494 | 16 |
| 63.40/19.896 | 66.22-67.31 / 2.607-2.650 | 17 |
| 67.36/21.152 | 70.18-71.27 / 2.763-2.806 | 18 |
| 71.32/22.408 | 74.14-75.23 / 2.919-2.962 | 19 |
| 75.29/23.664 | 78.11-79.20 / 3.075-3.118 | 20 |
| 79.25/24.920 | 82.07-83.16 / 3.231-3.274 | 21 |
| 83.21/26.176 | 86.03-87.12 / 3.387-3.430 | 22 |
| 87.17/27.432 | 89.94-91.08 / 3.541-3.586 | 23 |
| 91.14/28.688 | 93.85-95.00 / 3.695-3.740 | 24 |

- NOTES:
- MATERIAL: HEADER: GLASS FILLED POLYESTER, 94V-0, MOLDED BLACK.
 - FINISH:
 - (197) OVERALL REFLOWED MATTE TIN: 0.00152/.000060 MIN OVER 0.00127/.000050 MIN. NICKEL OVERALL.
 - (222) OVERALL MATTE TIN: 0.00254/.000100 MIN OVER 0.00127/.000050 MIN NICKEL
 - (208) SELECT GOLD: 0.00038/.000015 MIN, SELECT TIN: 0.00254/.000100 MIN, OVERALL NICKEL UNDERPLATE: 0.00127/.000050 MIN.
 - (228) SELECT GOLD: 0.00076/.000030 MIN, SELECT TIN: 0.00254/.000100 MIN, OVERALL NICKEL UNDERPLATE: 0.00127/.000050 MIN.
 - (241) SELECT GOLD: 0.00051/.000020 MIN, SELECT TIN: 0.00254/.000100 MIN, OVERALL NICKEL UNDERPLATE: 0.00127/.000050 MIN.
 - THIS PART CONFORMS TO PRODUCT SPEC PS-08-50.
 - PACKAGING: SEE CHARTS.
 - SOLDERABILITY: SEE SMES 152.
 - PARTS ARE STACKABLE END TO END ON 3.96/.156 CENTERS. (SPACING TABS MUST BE REMOVED ON CIRCUIT SIZES 2 THRU 23 BEFORE PARTS ARE STACKABLE.)
 - THIS PART CONFORMS TO CLASS B REQUIREMENTS OF COSMETIC SPECIFICATION PS-45499-002.
 - PIN PUSH-OUT FORCE: PRIOR TO SOLDERING, A 3 LB MINIMUM FORCE (IN EITHER DIRECTION) SHALL BE REQUIRED TO PUSH THE PIN OUT OF THE HEADER.
 - TEXT ON PART IS FOR REFERENCE ONLY. TEXT AND TEXT LOCATION MAY VARY DEPENDING ON PART NUMBER AND/OR TOOL.

A-41661- * N * * - *
 PACKAGING & OPTIONS B=BRASS-BULK PACKED
 NO. OF CKTS. _____
 VOID CODE BLANK=NO VOIDS
 NO=CKT NO. VOIDED
 MULT. VOIDS START WITH #51
 PLATING CODE _____
 PIN DIMENSIONS _____



PCB LAYOUT: COMPONENT SIDE RECOMMENDED PCB THICKNESS: 1.57±.18/.062±.007

| DRAWING FORMAT | SHEETS | REV LEVEL |
|----------------|--------|-----------|
| GENERAL DOCS. | 2-* | BE |
| ANNOTATOR | 1 | BF |

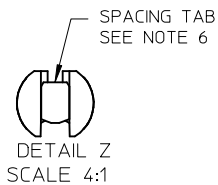
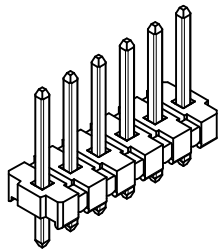
NOTE 9 ADDED
 EC NO: UCP2018-0013
 DRAWINGS: 2017/07/05
 CHKD: ISHWARG
 APPR: ISHWARG 2017/07/28

| QUALITY SYMBOLS | GENERAL TOLERANCES (UNLESS SPECIFIED) | |
|-----------------|---------------------------------------|--------|
| | mm | INCH |
| $F_A=0$ | 4 PLACES ± --- | ± --- |
| $F_C=0$ | 3 PLACES ± --- | ± .010 |
| $F_P=0$ | 2 PLACES ± 0.25 | ± .014 |
| | 1 PLACE ± 0.36 | ± --- |
| | 0 PLACE ± | ± |

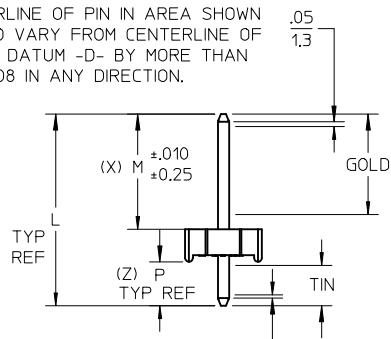
ANGULAR ±1/2°
 DRAFT WHERE APPLICABLE MUST REMAIN WITHIN DIMENSIONS

| DIMENSION STYLE | | SCALE | DESIGN UNITS | THIRD ANGLE PROJECTION |
|-----------------|--------------|-------------------------|------------------------|------------------------|
| MM/IN | 2:1 | INCH | THIRD ANGLE PROJECTION | |
| DRAWN BY | DATE | TITLE | | |
| JSCHAFFER | 2004/03/04 | KK .156 HEADER ASSEMBLY | | |
| CHECKED BY | DATE | FLAT BREAKAWAY | | |
| KSAMIEC | 2004/03/04 | 2-24 CKTS | | |
| APPROVED BY | DATE | molex | | |
| MARGULIS | 2004/03/04 | | | |
| MATERIAL NO. | DOCUMENT NO. | SHEET NO. | | |
| SEE CHART | SD-41661-001 | 1 OF * | | |

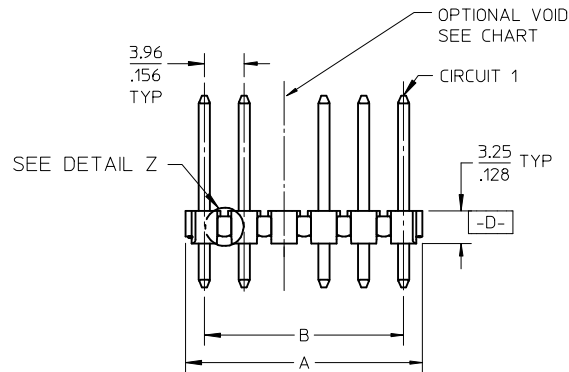
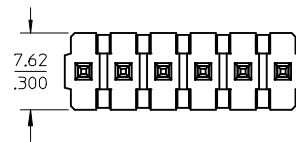
THIS DRAWING CONTAINS INFORMATION THAT IS PROPRIETARY TO MOLEX INCORPORATED AND SHOULD NOT BE USED WITHOUT WRITTEN PERMISSION



CENTERLINE OF PIN IN AREA SHOWN NOT TO VARY FROM CENTERLINE OF PIN AT DATUM -D- BY MORE THAN 0.20/.008 IN ANY DIRECTION.



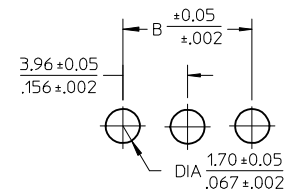
CENTERLINE OF PIN IN AREA SHOWN NOT TO VARY FROM CENTERLINE OF PIN AT DATUM -D- BY MORE THAN 0.13/.005 IN ANY DIRECTION.



| B | A | CKT SIZE |
|-------------|---------------------------|----------|
| 3.96/1.156 | 6.78-7.87 / .267-.310 | 2 |
| 7.92/2.312 | 10.74-11.84 / .423-.466 | 3 |
| 11.89/3.624 | 14.71-15.80 / .579-.622 | 4 |
| 15.85/4.968 | 18.67-19.76 / .735-.778 | 5 |
| 19.81/6.312 | 22.63-23.72 / .891-.934 | 6 |
| 23.77/7.656 | 26.59-27.69 / 1.047-1.090 | 7 |
| 27.74/9.000 | 30.56-31.65 / 1.203-1.246 | 8 |
| 31.70/1.248 | 34.52-35.61 / 1.359-1.402 | 9 |
| 35.66/1.404 | 38.48-39.57 / 1.515-1.558 | 10 |
| 39.62/1.560 | 42.44-43.54 / 1.671-1.714 | 11 |
| 43.59/1.716 | 46.41-47.50 / 1.827-1.870 | 12 |
| 47.55/1.872 | 50.37-51.46 / 1.983-2.026 | 13 |
| 51.51/2.028 | 54.33-55.42 / 2.139-2.182 | 14 |
| 55.47/2.184 | 58.29-59.39 / 2.295-2.338 | 15 |
| 59.44/2.340 | 62.26-63.35 / 2.451-2.494 | 16 |
| 63.40/2.496 | 66.22-67.31 / 2.607-2.650 | 17 |
| 67.36/2.652 | 70.18-71.27 / 2.763-2.806 | 18 |
| 71.32/2.808 | 74.14-75.23 / 2.919-2.962 | 19 |
| 75.29/2.964 | 78.11-79.20 / 3.075-3.118 | 20 |
| 79.25/3.120 | 82.07-83.16 / 3.231-3.274 | 21 |
| 83.21/3.276 | 86.03-87.12 / 3.387-3.430 | 22 |
| 87.17/3.432 | 89.94-91.08 / 3.541-3.586 | 23 |
| 91.14/3.588 | 93.85-95.00 / 3.695-3.740 | 24 |

- NOTES:
- MATERIAL: HEADER: GLASS FILLED POLYESTER, 94V-0, MOLDED BLACK.
 - FINISH:
 - (197) OVERALL REFLOWED MATTE TIN: 0.00152/.000060 MIN OVER 0.00127/.000050 MIN. NICKEL OVERALL.
 - (222) OVERALL MATTE TIN: 0.00254/.000100 MIN OVER 0.00127/.000050 MIN NICKEL
 - (208) SELECT GOLD: 0.00038/.000015 MIN, SELECT TIN: 0.00254/.000100 MIN, OVERALL NICKEL UNDERPLATE: 0.00127/.000050 MIN.
 - (228) SELECT GOLD: 0.00076/.000030 MIN, SELECT TIN: 0.00254/.000100 MIN, OVERALL NICKEL UNDERPLATE: 0.00127/.000050 MIN.
 - (241) SELECT GOLD: 0.00051/.000020 MIN, SELECT TIN: 0.00254/.000100 MIN, OVERALL NICKEL UNDERPLATE: 0.00127/.000050 MIN.
 - THIS PART CONFORMS TO PRODUCT SPEC PS-08-50.
 - PACKAGING: SEE CHARTS.
 - SOLDERABILITY: SEE SMES 152.
 - PARTS ARE STACKABLE END TO END ON 3.96/.156 CENTERS. (SPACING TABS MUST BE REMOVED ON CIRCUIT SIZES 2 THRU 23 BEFORE PARTS ARE STACKABLE.)
 - THIS PART CONFORMS TO CLASS B REQUIREMENTS OF COSMETIC SPECIFICATION PS-45499-002.
 - PIN PUSH-OUT FORCE: PRIOR TO SOLDERING, A 3 LB MINIMUM FORCE (IN EITHER DIRECTION) SHALL BE REQUIRED TO PUSH THE PIN OUT OF THE HEADER.
 - TEXT ON PART IS FOR REFERENCE ONLY. TEXT AND TEXT LOCATION MAY VARY DEPENDING ON PART NUMBER AND/OR TOOL.

A-41661- * N * * - *
 PACKAGING & OPTIONS
 B=BRASS-BULK PACKED
 NO. OF CKTS.
 VOID CODE
 BLANK=NO VOIDS
 NO=CKT NO. VOIDED
 MULT. VOIDS START WITH #51
 PLATING CODE
 PIN DIMENSIONS



PCB LAYOUT: COMPONENT SIDE RECOMMENDED PCB THICKNESS: 1.57±.18/.062±.007

| DRAWING FORMAT | SHEETS | REV LEVEL |
|----------------|--------|-----------|
| GENERAL DOCS. | 2-* | BE |
| ANNOTATOR | 1 | BF |

NOTE 9 ADDED
 EC NO: UCP2018-0013
 DRAWINGS
 CHKD:
 APPR: ISHWARG
 2017/07/05
 2017/07/28

| QUALITY SYMBOLS | GENERAL TOLERANCES (UNLESS SPECIFIED) | |
|-----------------|--|--------|
| | mm | INCH |
| $F_A=0$ | 4 PLACES ± --- | ± --- |
| $F_C=0$ | 3 PLACES ± --- | ± .010 |
| $F_P=0$ | 2 PLACES ± 0.25 | ± .014 |
| | 1 PLACE ± 0.36 | ± --- |
| | 0 PLACE ± | ± |
| | ANGULAR ±1/2° | |
| | DRAFT WHERE APPLICABLE MUST REMAIN WITHIN DIMENSIONS | |

| DIMENSION STYLE | |
|------------------------|---|
| MM/IN | SCALE |
| DRAWN BY JSCHAFFER | DATE 2004/03/04 |
| CHECKED BY KSAMIEC | DATE 2004/03/04 |
| APPROVED BY MARGULIS | DATE 2004/03/04 |
| MATERIAL NO. SEE CHART | |
| SIZE A3 | THIS DRAWING CONTAINS INFORMATION THAT IS PROPRIETARY TO MOLEX INCORPORATED AND SHOULD NOT BE USED WITHOUT WRITTEN PERMISSION |

| SCALE | DESIGN UNITS | THIRD ANGLE PROJECTION |
|---|--------------|------------------------|
| 2:1 | INCH | THIRD ANGLE PROJECTION |
| TITLE KK .156 HEADER ASSEMBLY FLAT BREAKAWAY 2-24 CKTS | | |
| molex | | |
| MATERIAL NO. SD-41661-001 | DOCUMENT NO. | SHEET NO. 1 OF * |

| | | | | | | | | | | | |
|------------------|--------------|------------|------------------|-------------|--------------|------------------|--------------|-------|------------------|-------------|-------|
| PIN NUMBER | 43294-0240 | PIN NUMBER | CONTINUED | PIN NUMBER | 43294-0236 | PIN NUMBER | 43294-0237 | | | | |
| PIN LENGTH | 19.05/.750 | PIN LENGTH | | PIN LENGTH | 19.05/.750 | PIN LENGTH | 19.05/.750 | | | | |
| PLATING | 197 | PLATING | FROM | PLATING | 208 | PLATING | 228 | | | | |
| MATING "M" | 11.43/.450 | MATING "M" | | MATING "M" | 11.43/.450 | MATING "M" | 11.43/.450 | | | | |
| PCB "P" | 4.37/.172 | PCB "P" | LAST | PCB "P" | 4.37/.172 | PCB "P" | 4.37/.172 | | | | |
| GOLD "G" | N/A | GOLD "G" | | GOLD "G" | 6.86 / .270 | GOLD "G" | 6.86/.270 | | | | |
| TIN "T" | OVERALL | TIN "T" | COLUMN | TIN "T" | 4.06/.160 | TIN "T" | 4.06/.160 | | | | |
| PACKAGING | PK-41661-001 | PACKAGING | | PACKAGING | PK-41661-001 | PACKAGING | PK-41661-001 | | | | |
| STATUS | | STATUS | | STATUS | | STATUS | | | | | |
| A-41661-BNA197-* | | | A-41661-BNA197-* | | | A-41661-BNA208-* | | | A-41661-BNA228-* | | |
| MATERIAL | ENGINEERING | VOIDS | MATERIAL | ENGINEERING | VOIDS | MATERIAL | ENGINEERING | VOIDS | MATERIAL | ENGINEERING | VOIDS |
| 26-48-1021 | -B2A197 | | 26-50-3092 | -B9A197-7 | 7 | 41661-0001 | -B02A208 | | 41661-0024 | -B02A228 | |
| 26-48-1031 | -B3A197 | | 26-50-3201 | -B20A197-3 | 3 | 41661-0002 | -B03A208 | | 41661-0025 | -B03A228 | |
| 26-48-1041 | -B4A197 | | 26-50-3164 | -B16A197-52 | 2, 15 | 41661-0003 | -B04A208 | | 41661-0026 | -B04A228 | |
| 26-48-1051 | -B5A197 | | 41661-2004 | -B6A197-4 | 4 | 41661-0004 | -B05A208 | | 41661-0027 | -B05A228 | |
| 26-48-1061 | -B6A197 | | 41661-2005 | -B4A197-51 | 2,3 | 41661-0005 | -B06A208 | | 41661-0028 | -B06A228 | |
| 26-48-1071 | -B7A197 | | 41661-2006 | -B5A197-3 | 3 | 41661-0006 | -B07A208 | | 41661-0029 | -B07A228 | |
| 26-48-1081 | -B8A197 | | 26-50-3039 | -B3A197-2 | 2 | 41661-0007 | -B08A208 | | 41661-0030 | -B08A228 | |
| 26-48-1091 | -B9A197 | | 26-50-3049 | -B4A197-2 | 2 | 41661-0008 | -B09A208 | | 41661-0031 | -B09A228 | |
| 26-48-1101 | -B10A197 | | 26-50-3059 | -B5A197-2 | 2 | 41661-0009 | -B10A208 | | 41661-0032 | -B10A228 | |
| 26-48-1111 | -B11A197 | | 26-50-3069 | -B6A197-2 | 2 | 41661-0010 | -B11A208 | | 41661-0033 | -B11A228 | |
| 26-48-1121 | -B12A197 | | 26-50-3074 | -B7A197-2 | 2 | 41661-0011 | -B12A208 | | 41661-0034 | -B12A228 | |
| 26-48-1131 | -B13A197 | | 26-50-3089 | -B8A197-2 | 2 | 41661-0012 | -B13A208 | | 41661-0035 | -B13A228 | |
| 26-48-1141 | -B14A197 | | 26-50-3099 | -B9A197-2 | 2 | 41661-0013 | -B14A208 | | 41661-0036 | -B14A228 | |
| 26-48-1151 | -B15A197 | | 26-50-3104 | -B10A197-2 | 2 | 41661-0014 | -B15A208 | | 41661-0037 | -B15A228 | |
| 26-48-1161 | -B16A197 | | 26-50-3119 | -B11A197-2 | 2 | 41661-0015 | -B16A208 | | 41661-0038 | -B16A228 | |
| 26-48-1171 | -B17A197 | | 26-50-3129 | -B12A197-2 | 2 | 41661-0016 | -B17A208 | | 41661-0039 | -B17A228 | |
| 26-48-1181 | -B18A197 | | 26-50-3139 | -B13A197-2 | 2 | 41661-0017 | -B18A208 | | 41661-0040 | -B18A228 | |
| 26-48-1191 | -B19A197 | | 26-50-3149 | -B14A197-2 | 2 | 41661-0018 | -B19A208 | | 41661-0041 | -B19A228 | |
| 26-48-1201 | -B20A197 | | 26-50-3159 | -B15A197-2 | 2 | 41661-0019 | -B20A208 | | 41661-0042 | -B20A228 | |
| 26-48-1211 | -B21A197 | | 26-50-3169 | -B16A197-2 | 2 | 41661-0020 | -B21A208 | | 41661-0043 | -B21A228 | |
| 26-48-1221 | -B22A197 | | 26-50-3179 | -B17A197-2 | 2 | 41661-0021 | -B22A208 | | 41661-0044 | -B22A228 | |
| 26-48-1231 | -B23A197 | | 26-50-3189 | -B18A197-2 | 2 | 41661-0022 | -B23A208 | | 41661-0045 | -B23A228 | |
| 26-48-1241 | -B24A197 | | 26-50-3199 | -B19A197-2 | 2 | 41661-0023 | -B24A208 | | 41661-0046 | -B24A228 | |
| 26-48-1178 | -B17A197-3 | 3 | 26-50-3209 | -B20A197-2 | 2 | | | | | | |
| 26-48-1138 | -B13A197-3 | 3 | 50-29-1687 | -B07A197-4 | 4 | | | | | | |
| 26-50-3105 | -B10A197-4 | 4 | 50-29-1612 | -B15A197-7 | 7 | | | | | | |

| | | | |
|-----------------------|-----------------------------|--|---------------|
| REV: | ECR/ECN INFORMATION: | TITLE: | SHEET No. |
| BE | EC No.: UCP2012-0114 | KK 156 HEADER ASSEMBLY FLAT BREAKAWAY 2-24 CKTS | - 2 - |
| | DATE: 10/31/2011 | | |
| DOCUMENT NUMBER: | CREATED / REVISED BY: | CHECKED BY: | APPROVED BY: |
| SD- 41661 -001 | MMSTROH | MKIPPER | FSMITH |

| | | | | | | | | | | | |
|------------------------|-------------|-------|------------------------|-------------|-------|------------------------|-------------|-------|------------------------|-------------|-------|
| PIN NUMBER 43294-0364 | | | PIN NUMBER 43294-0419 | | | PIN NUMBER 43294-0474 | | | PIN NUMBER 43294-0661 | | |
| PIN LENGTH 22.61/.890 | | | PIN LENGTH 23.88/.940 | | | PIN LENGTH 25.40/1.000 | | | PIN LENGTH 30.48/1.200 | | |
| PLATING 197 | | | PLATING 197 | | | PLATING 241 | | | PLATING 197 | | |
| MATING "M" 14.99/.590 | | | MATING "M" 16.26/.640 | | | MATING "M" 18.26/.719 | | | MATING "M" 24.21/.953 | | |
| PCB "P" 4.37/.172 | | | PCB "P" 4.37/.172 | | | PCB "P" 3.89/.153 | | | PCB "P" 3.02/.119 | | |
| GOLD "G" N/A | | | GOLD "G" N/A | | | GOLD "G" 7.11/.280 | | | GOLD "G" N/A | | |
| TIN "T" OVERALL | | | TIN "T" OVERALL | | | TIN "T" 4.06/.160 | | | TIN "T" OVERALL | | |
| PACKAGING PK-41661-001 | | | PACKAGING PK-41661-001 | | | PACKAGING PK-41661-001 | | | PACKAGING PK-41661-001 | | |
| STATUS | | | STATUS | | | STATUS | | | STATUS | | |
| A-41661-BNAE197-* | | | A-41661-BNC197-* | | | A-41661-BND241-* | | | A-41661-BNE197-* | | |
| MATERIAL | ENGINEERING | VOIDS | MATERIAL | ENGINEERING | VOIDS | MATERIAL | ENGINEERING | VOIDS | MATERIAL | ENGINEERING | VOIDS |
| 26-48-1020 | -B2AE197 | | 26-48-7021 | -B2C197 | | 26-48-5023 | -B2D241 | | 26-58-4020 | -B2E197 | |
| 26-48-1030 | -B3AE197 | | 26-48-7031 | -B3C197 | | 41661-0093 | -B3D241 | | 26-58-4030 | -B3E197 | |
| 26-48-1040 | -B4AE197 | | 26-48-7041 | -B4C197 | | 41661-0094 | -B4D241 | | 26-58-4040 | -B4E197 | |
| 26-48-1050 | -B5AE197 | | 26-48-7051 | -B5C197 | | 41661-0095 | -B5D241 | | 26-58-4050 | -B5E197 | |
| 26-48-1060 | -B6AE197 | | 26-48-7061 | -B6C197 | | 41661-0096 | -B6D241 | | 26-58-4060 | -B6E197 | |
| 26-48-1070 | -B7AE197 | | 26-48-7071 | -B7C197 | | 41661-0097 | -B7D241 | | 26-58-4070 | -B7E197 | |
| 26-48-1080 | -B8AE197 | | 26-48-7081 | -B8C197 | | 26-48-5083 | -B8D241 | | 26-58-4080 | -B8E197 | |
| 26-48-1090 | -B9AE197 | | 26-48-7091 | -B9C197 | | 41661-0098 | -B9D241 | | 26-58-4090 | -B9E197 | |
| 26-48-1100 | -B10AE197 | | 26-48-7101 | -B10C197 | | 41661-0099 | -B10D241 | | 26-58-4100 | -B10E197 | |
| 26-48-1110 | -B11AE197 | | 26-48-7111 | -B11C197 | | 41661-0100 | -B11D241 | | 26-58-4110 | -B11E197 | |
| 26-48-1120 | -B12AE197 | | 26-48-7121 | -B12C197 | | 26-48-5123 | -B12D241 | | 26-58-4120 | -B12E197 | |
| 26-48-1130 | -B13AE197 | | 26-48-7131 | -B13C197 | | 41661-0101 | -B13D241 | | 26-58-4130 | -B13E197 | |
| 26-48-1140 | -B14AE197 | | 26-48-7141 | -B14C197 | | 41661-0102 | -B14D241 | | 26-58-4140 | -B14E197 | |
| 26-48-1150 | -B15AE197 | | 26-48-7151 | -B15C197 | | 41661-0103 | -B15D241 | | 26-58-4150 | -B15E197 | |
| 26-48-1160 | -B16AE197 | | 26-48-7161 | -B16C197 | | 41661-0104 | -B16D241 | | 26-58-4160 | -B16E197 | |
| 26-48-1170 | -B17AE197 | | 26-48-7171 | -B17C197 | | 41661-0105 | -B17D241 | | 26-58-4170 | -B17E197 | |
| 26-48-1180 | -B18AE197 | | 26-48-7181 | -B18C197 | | 41661-0106 | -B18D241 | | 26-58-4180 | -B18E197 | |
| 26-48-1190 | -B19AE197 | | 26-48-7191 | -B19C197 | | 41661-0107 | -B19D241 | | 26-58-4190 | -B19E197 | |
| 26-48-1200 | -B20AE197 | | 26-48-7201 | -B20C197 | | 41661-0108 | -B20D241 | | 26-58-4200 | -B20E197 | |
| 26-48-1210 | -B21AE197 | | 26-48-7211 | -B21C197 | | 41661-0109 | -B21D241 | | 26-58-4210 | -B21E197 | |
| 26-48-1220 | -B22AE197 | | 26-48-7221 | -B22C197 | | 41661-0110 | -B22D241 | | 26-58-4220 | -B22E197 | |
| 26-48-1230 | -B23AE197 | | 26-48-7231 | -B23C197 | | 41661-0111 | -B23D241 | | 26-58-4230 | -B23E197 | |
| 26-48-1240 | -B24AE197 | | 26-48-7241 | -B24C197 | | 41661-0112 | -B24D241 | | 26-58-4240 | -B24E197 | |

| | | | |
|---|--|--|-------------------------------|
| REV: BE | ECR/ECN INFORMATION: EC No.: UCP2012-0114 DATE: 10/31/2011 | TITLE: KK 156 HEADER ASSEMBLY FLAT BREAKAWAY 2-24 CKTS | SHEET No. - 3 - |
| DOCUMENT NUMBER: SD- 41661 -001 | | CREATED / REVISED BY: MMSTROH | CHECKED BY: MKIPPER |
| | | APPROVED BY: FSMITH | |

| | | | | | | | | | | | |
|------------------------|-------------|-------|------------------------|-------------|-------|------------------------|-------------|-------|------------------------|-------------|-------|
| PIN NUMBER 43294-0598 | | | PIN NUMBER 43294-0662 | | | PIN NUMBER 43294-0913 | | | PIN NUMBER 43294-1003 | | |
| PIN LENGTH 28.70/1.130 | | | PIN LENGTH 30.48/1.200 | | | PIN LENGTH 37.34/1.470 | | | PIN LENGTH 39.62/1.560 | | |
| PLATING 197 | | | PLATING 241 | | | PLATING 197 | | | PLATING 197 | | |
| MATING "M" 21.08/ .830 | | | MATING "M" 24.21/.953 | | | MATING "M" 14.02/.552 | | | MATING "M" 33.35/1.313 | | |
| PCB "P" 4.37/.172 | | | PCB "P" 3.02/.119 | | | PCB "P" 20.07/.790 | | | PCB "P" 3.10/.122 | | |
| GOLD "G" N/A | | | GOLD "G" 6.85/ .270 | | | GOLD "G" N/A | | | GOLD "G" N/A | | |
| TIN "T" OVERALL | | | TIN "T" 5.08/ .200 | | | TIN "T" OVERALL | | | TIN "T" OVERALL | | |
| PACKAGING PK-41661-001 | | | PACKAGING PK-41661-001 | | | PACKAGING PK-41661-001 | | | PACKAGING PK-41661-001 | | |
| STATUS | | | STATUS | | | STATUS | | | STATUS | | |
| A-41661-BNF197-* | | | A-41661-BNE241-* | | | A-41661-BNH197-* | | | A-41661-BNL197-* | | |
| MATERIAL | ENGINEERING | VOIDS | MATERIAL | ENGINEERING | VOIDS | MATERIAL | ENGINEERING | VOIDS | MATERIAL | ENGINEERING | VOIDS |
| 26-48-4021 | -B2F197 | | 41661-0127 | -B2E241 | | 41661-0146 | -B2H197 | | 26-48-9021 | -B2L197 | |
| 26-48-4031 | -B3F197 | | 41661-0128 | -B3E241 | | 41661-0147 | -B3H197 | | 26-48-9031 | -B3L197 | |
| 26-48-4041 | -B4F197 | | 41661-0129 | -B4E241 | | 41661-0148 | -B4H197 | | 41661-0167 | -B4L197 | |
| 41661-0113 | -B5F197 | | 41661-0130 | -B5E241 | | 41661-0149 | -B5H197 | | 26-48-9051 | -B5L197 | |
| 26-48-4061 | -B6F197 | | 41661-0131 | -B6E241 | | 26-48-8061 | -B6H197 | | 26-48-9061 | -B6L197 | |
| 41661-0114 | -B7F197 | | 41661-0132 | -B7E241 | | 41661-0150 | -B7H197 | | 26-48-9071 | -B7L197 | |
| 26-48-4081 | -B8F197 | | 26-48-3081 | -B8E241 | | 41661-0151 | -B8H197 | | 41661-0168 | -B8L197 | |
| 41661-0115 | -B9F197 | | 41661-0133 | -B9E241 | | 41661-0152 | -B9H197 | | 41661-0169 | -B9L197 | |
| 26-48-4101 | -B10F197 | | 41661-0134 | -B10E241 | | 41661-0153 | -B10H197 | | 41661-0170 | -B10L197 | |
| 26-48-4111 | -B11F197 | | 41661-0135 | -B11E241 | | 41661-0154 | -B11H197 | | 41661-0171 | -B11L197 | |
| 41661-0116 | -B12F197 | | 26-48-3121 | -B12E241 | | 41661-0155 | -B12H197 | | 41661-0172 | -B12L197 | |
| 41661-0117 | -B13F197 | | 26-48-3131 | -B13E241 | | 26-48-8131 | -B13H197 | | 41661-0173 | -B13L197 | |
| 41661-0118 | -B14F197 | | 41661-0136 | -B14E241 | | 41661-0156 | -B14H197 | | 41661-0174 | -B14L197 | |
| 26-48-4151 | -B15F197 | | 41661-0137 | -B15E241 | | 41661-0157 | -B15H197 | | 41661-0175 | -B15L197 | |
| 41661-0119 | -B16F197 | | 41661-0138 | -B16E241 | | 41661-0158 | -B16H197 | | 41661-0176 | -B16L197 | |
| 41661-0120 | -B17F197 | | 41661-0139 | -B17E241 | | 41661-0159 | -B17H197 | | 41661-0177 | -B17L197 | |
| 41661-0121 | -B18F197 | | 41661-0140 | -B18E241 | | 41661-0160 | -B18H197 | | 41661-0178 | -B18L197 | |
| 41661-0122 | -B19F197 | | 41661-0141 | -B19E241 | | 41661-0161 | -B19H197 | | 41661-0179 | -B19L197 | |
| 41661-0123 | -B20F197 | | 41661-0142 | -B20E241 | | 41661-0162 | -B20H197 | | 41661-0180 | -B20L197 | |
| 41661-0124 | -B21F197 | | 41661-0143 | -B21E241 | | 41661-0163 | -B21H197 | | 41661-0181 | -B21L197 | |
| 41661-0125 | -B22F197 | | 41661-0144 | -B22E241 | | 41661-0164 | -B22H197 | | 41661-0182 | -B22L197 | |
| 41661-0126 | -B23F197 | | 41661-0145 | -B23E241 | | 41661-0165 | -B23H197 | | 41661-0183 | -B23L197 | |
| 26-48-4241 | -B24F197 | | 26-48-3241 | -B24E241 | | 41661-0166 | -B24H197 | | 26-48-9241 | -B24L197 | |

| | | | |
|--|--|---|--|
| REV: BE | <u>ECR/ECN INFORMATION:</u> EC No.: UCP2012-0114 | <u>TITLE:</u> KK 156 HEADER ASSEMBLY FLAT BREAKAWAY 2-24 CKTS | <u>SHEET No.</u> - 4 - |
| | <u>DATE:</u> 10/31/2011 | | <u>APPROVED BY:</u> FSMITH |
| <u>DOCUMENT NUMBER:</u> SD- 41661 -001 | | <u>CREATED / REVISED BY:</u> MMSTROH | <u>CHECKED BY:</u> MKIPPER |

| | | | | | | | | | | | |
|------------------|--------------|------------|------------------|-------------|--------------|------------------|--------------|-------|----------------|-------------|-------|
| PIN NUMBER | 43294-0661 | PIN NUMBER | 43294-1003 | PIN NUMBER | 43294-0661 | PIN NUMBER | 43294-0420 | | | | |
| PIN LENGTH | 30.48/1.200 | PIN LENGTH | 39.62/1.560 | PIN LENGTH | 30.48/1.200 | PIN LENGTH | 23.88/.940 | | | | |
| PLATING | 197 | PLATING | 197 | PLATING | 197 | PLATING | 241 | | | | |
| MATING "M" | 22.61/.890 | MATING "M" | 32.56/1.282 | MATING "M" | 13.44/.531 | MATING "M" | 16.26/.640 | | | | |
| PCB "P" | 4.62/.182 | PCB "P" | 3.81/.150 | PCB "P" | 13.74/.541 | PCB "P" | 4.37/.172 | | | | |
| GOLD "G" | N/A | GOLD "G" | N/A | GOLD "G" | N/A | GOLD "G" | 8.89/.350 | | | | |
| TIN "T" | OVERALL | TIN "T" | OVERALL | TIN "T" | OVERALL | TIN "T" | 4.06/.160 | | | | |
| PACKAGING | PK-41661-001 | PACKAGING | PK-41661-001 | PACKAGING | PK-41661-001 | PACKAGING | PK-41661-001 | | | | |
| STATUS | | STATUS | | STATUS | | STATUS | | | | | |
| A-41661-BNM197-* | | | A-41661-BNN197-* | | | A-41661-BNR197-* | | | 41661-BNC241-* | | |
| MATERIAL | ENGINEERING | VOIDS | MATERIAL | ENGINEERING | VOIDS | MATERIAL | ENGINEERING | VOIDS | MATERIAL | ENGINEERING | VOIDS |
| 26-58-4022 | -B2M197 | | 41661-0200 | -B2N197 | | 26-48-4022 | -B2R197 | | 41661-0219 | -B2C241 | |
| 41661-0184 | -B3M197 | | 41661-0201 | -B3N197 | | 26-48-4032 | -B3R197 | | 41661-0220 | -B3C241 | |
| 26-58-4042 | -B4M197 | | 41661-0202 | -B4N197 | | 26-48-4042 | -B4R197 | | 41661-0221 | -B4C241 | |
| 26-58-4052 | -B5M197 | | 41661-0203 | -B5N197 | | 26-48-4052 | -B5R197 | | 41661-0222 | -B5C241 | |
| 41661-0186 | -B6M197 | | 26-58-0062 | -B6N197 | | 26-48-4062 | -B6R197 | | 26-48-5064 | -B6C241 | |
| 26-58-4072 | -B7M197 | | 41661-0204 | -B7N197 | | 26-48-4072 | -B7R197 | | 41661-0223 | -B7C241 | |
| 41661-0187 | -B8M197 | | 41661-0205 | -B8N197 | | 26-48-4082 | -B8R197 | | 41661-0224 | -B8C241 | |
| 26-58-4092 | -B9M197 | | 26-58-0092 | -B9N197 | | 26-48-4092 | -B9R197 | | 41661-0225 | -B9C241 | |
| 26-58-4102 | -B10M197 | | 26-58-0102 | -B10N197 | | 26-48-4102 | -B10R197 | | 26-48-5104 | -B10C241 | |
| 41661-0188 | -B11M197 | | 41661-0206 | -B11N197 | | 26-48-4112 | -B11R197 | | 41661-0226 | -B11C241 | |
| 26-58-4122 | -B12M197 | | 41661-0207 | -B12N197 | | 26-48-4122 | -B12R197 | | 41661-0227 | -B12C241 | |
| 41661-0189 | -B13M197 | | 41661-0208 | -B13N197 | | 26-48-4132 | -B13R197 | | 41661-0228 | -B13C241 | |
| 41661-0190 | -B14M197 | | 41661-0209 | -B14N197 | | 26-48-4142 | -B14R197 | | 41661-0229 | -B14C241 | |
| 26-58-4152 | -B15M197 | | 41661-0210 | -B15N197 | | 26-48-4152 | -B15R197 | | 41661-0230 | -B15C241 | |
| 26-58-4162 | -B16M197 | | 41661-0211 | -B16N197 | | 26-48-4162 | -B16R197 | | 41661-0231 | -B16C241 | |
| 41661-0192 | -B17M197 | | 41661-0212 | -B17N197 | | 26-48-4172 | -B17R197 | | 41661-0232 | -B17C241 | |
| 41661-0193 | -B18M197 | | 41661-0213 | -B18N197 | | 26-48-4182 | -B18R197 | | 41661-0233 | -B18C241 | |
| 41661-0194 | -B19M197 | | 41661-0214 | -B19N197 | | 26-48-4192 | -B19R197 | | 41661-0234 | -B19C241 | |
| 41661-0195 | -B20M197 | | 41661-0215 | -B20N197 | | 26-48-4202 | -B20R197 | | 41661-0235 | -B20C241 | |
| 41661-0196 | -B21M197 | | 41661-0216 | -B21N197 | | 26-48-4212 | -B21R197 | | 41661-0236 | -B21C241 | |
| 41661-0197 | -B22M197 | | 41661-0217 | -B22N197 | | 26-48-4222 | -B22R197 | | 41661-0237 | -B22C241 | |
| 41661-0198 | -B23M197 | | 41661-0218 | -B23N197 | | 26-48-4232 | -B23R197 | | 41661-0238 | -B23C241 | |
| 41661-0199 | -B24M197 | | 26-58-0242 | -B24N197 | | 26-48-4242 | -B24R197 | | 26-48-5244 | -B24C241 | |
| | | | | | | 26-50-4055 | -B5R197-4 | 4 | | | |
| | | | | | | | | | | | |
| | | | | | | | | | | | |

| | | | |
|---|--|--|-------------------------------|
| REV: BE | ECR/ECN INFORMATION: EC No.: UCP2012-0114 DATE: 10/31/2011 | TITLE: KK 156 HEADER ASSEMBLY FLAT BREAKAWAY 2-24 CKTS | SHEET No. - 5 - |
| DOCUMENT NUMBER: SD- 41661 -001 | CREATED / REVISED BY: MMSTROH | CHECKED BY: MKIPPER | APPROVED BY: FSMITH |

| | | | | | | | | | | | |
|------------------|--------------|------------|------------------|-------------|--------------|------------------|--------------|-------|-------------------|-------------|-------|
| PIN NUMBER | 43294-0706 | PIN NUMBER | 43294-0500 | PIN NUMBER | 43294-0706 | PIN NUMBER | 43294-0949 | | | | |
| PIN LENGTH | 31.75/1.250 | PIN LENGTH | 26.16/1.030 | PIN LENGTH | 31.75/1.250 | PIN LENGTH | 38.10/1.500 | | | | |
| PLATING | 197 | PLATING | 197 | PLATING | 197 | PLATING | 197 | | | | |
| MATING "M" | 25.70/1.012 | MATING "M" | 19.43/.765 | MATING "M" | 18.34/.722 | MATING "M" | 31.80/1.252 | | | | |
| PCB "P" | 2.79/.110 | PCB "P" | 3.56/.140 | PCB "P" | 10.16/.400 | PCB "P" | 3.05/.120 | | | | |
| GOLD "G" | N/A | GOLD "G" | N/A | GOLD "G" | N/A | GOLD "G" | N/A | | | | |
| TIN "T" | OVERALL | TIN "T" | OVERALL | TIN "T" | OVERALL | TIN "T" | OVERALL | | | | |
| PACKAGING | PK-41661-001 | PACKAGING | PK-41661-001 | PACKAGING | PK-41661-001 | PACKAGING | PK-41661-001 | | | | |
| STATUS | | STATUS | | STATUS | | STATUS | | | | | |
| A-41661-BNW197-* | | | A-41661-BNY197-* | | | A-41661-BNZ197-* | | | A-41661-BNAA197-* | | |
| MATERIAL | ENGINEERING | VOIDS | MATERIAL | ENGINEERING | VOIDS | MATERIAL | ENGINEERING | VOIDS | MATERIAL | ENGINEERING | VOIDS |
| 41661-0239 | -B2W197 | | 41661-0259 | -B2Y197 | | 41661-0274 | -B2Z197 | | 41661-0294 | -B2AA197 | |
| 41661-0240 | -B3W197 | | 26-58-0030 | -B3Y197 | | 41661-0275 | -B3Z197 | | 41661-0295 | -B3AA197 | |
| 26-58-0045 | -B4W197 | | 26-58-0040 | -B4Y197 | | 41661-0276 | -B4Z197 | | 41661-0296 | -B4AA197 | |
| 41661-0241 | -B5W197 | | 41661-0260 | -B5Y197 | | 41661-0277 | -B5Z197 | | 41661-0297 | -B5AA197 | |
| 41661-0242 | -B6W197 | | 26-58-0060 | -B6Y197 | | 26-58-0061 | -B6Z197 | | 41661-0298 | -B6AA197 | |
| 41661-0243 | -B7W197 | | 26-58-0070 | -B7Y197 | | 41661-0278 | -B7Z197 | | 41661-0299 | -B7AA197 | |
| 41661-0244 | -B8W197 | | 41661-0261 | -B8Y197 | | 41661-0279 | -B8Z197 | | 26-58-0083 | -B8AA197 | |
| 41661-0245 | -B9W197 | | 26-58-0090 | -B9Y197 | | 41661-0280 | -B9Z197 | | 41661-0300 | -B9AA197 | |
| 26-58-0105 | -B10W197 | | 26-58-0100 | -B10Y197 | | 41661-0281 | -B10Z197 | | 41661-0301 | -B10AA197 | |
| 41661-0246 | -B11W197 | | 26-58-0110 | -B11Y197 | | 41661-0282 | -B11Z197 | | 41661-0302 | -B11AA197 | |
| 41661-0247 | -B12W197 | | 41661-0262 | -B12Y197 | | 26-58-0121 | -B12Z197 | | 41661-0303 | -B12AA197 | |
| 41661-0248 | -B13W197 | | 41661-0263 | -B13Y197 | | 41661-0283 | -B13Z197 | | 41661-0304 | -B13AA197 | |
| 41661-0249 | -B14W197 | | 41661-0264 | -B14Y197 | | 41661-0284 | -B14Z197 | | 41661-0305 | -B14AA197 | |
| 41661-0250 | -B15W197 | | 41661-0265 | -B15Y197 | | 41661-0285 | -B15Z197 | | 41661-0306 | -B15AA197 | |
| 41661-0251 | -B16W197 | | 41661-0266 | -B16Y197 | | 41661-0286 | -B16Z197 | | 41661-0307 | -B16AA197 | |
| 41661-0252 | -B17W197 | | 41661-0267 | -B17Y197 | | 41661-0287 | -B17Z197 | | 26-58-0173 | -B17AA197 | |
| 41661-0253 | -B18W197 | | 41661-0268 | -B18Y197 | | 41661-0288 | -B18Z197 | | 41661-0308 | -B18AA197 | |
| 41661-0254 | -B19W197 | | 41661-0269 | -B19Y197 | | 41661-0289 | -B19Z197 | | 41661-0309 | -B19AA197 | |
| 41661-0255 | -B20W197 | | 41661-0270 | -B20Y197 | | 41661-0290 | -B20Z197 | | 41661-0310 | -B20AA197 | |
| 41661-0256 | -B21W197 | | 41661-0271 | -B21Y197 | | 41661-0291 | -B21Z197 | | 41661-0311 | -B21AA197 | |
| 41661-0257 | -B22W197 | | 41661-0272 | -B22Y197 | | 41661-0292 | -B22Z197 | | 41661-0312 | -B22AA197 | |
| 41661-0258 | -B23W197 | | 41661-0273 | -B23Y197 | | 41661-0293 | -B23Z197 | | 41661-0313 | -B23AA197 | |
| 26-58-0245 | -B24W197 | | 26-58-0240 | -B24Y197 | | 26-58-0241 | -B24Z197 | | 41661-0314 | -B24AA197 | |
| | | | | | | | | | | | |
| | | | | | | | | | | | |
| | | | | | | | | | | | |

| | | | |
|---|--|--|-------------------------------|
| REV: BE | ECR/ECN INFORMATION: EC No.: UCP2012-0114 DATE: 10/31/2011 | TITLE: KK 156 HEADER ASSEMBLY FLAT BREAKAWAY 2-24 CKTS | SHEET No. - 6 - |
| DOCUMENT NUMBER: SD- 41661 -001 | CREATED / REVISED BY: MMSTROH | CHECKED BY: MKIPPER | APPROVED BY: FSMITH |

| | | | | | | | | | | | |
|------------------|--------------|------------|------------------|-------------|--------------|-------------------|----------------------|-------|------------------|-------------|-------|
| PIN NUMBER | 43294-0301 | PIN NUMBER | 43294-0303 | PIN NUMBER | 43294-1174 | PIN NUMBER | 43294-0596 | | | | |
| PIN LENGTH | 20.83/.820 | PIN LENGTH | 20.83/.820 | PIN LENGTH | 48.26/1.900 | PIN LENGTH | 28.70/1.130 | | | | |
| PLATING | 197 | PLATING | 241 | PLATING | 197 | PLATING | 241 | | | | |
| MATING "M" | 13.21/.520 | MATING "M" | 12.70/.500 | MATING "M" | 43.18/1.700 | MATING "M" | 22.66/.892 REF | | | | |
| PCB "P" | 4.37/.172 | PCB "P" | 4.37/.172 | PCB "P" | 1.83/.072 | PCB "P" | 2.79+-.51/.110+-.020 | | | | |
| GOLD "G" | N/A | GOLD "G" | 6.85/.270 | GOLD "G" | N/A | GOLD "G" | 6.85/.270 | | | | |
| TIN "T" | OVERALL | TIN "T" | 6.35/.250 | TIN "T" | OVERALL | TIN "T" | 5.08/.200 | | | | |
| PACKAGING | PK-41661-001 | PACKAGING | PK-41661-001 | PACKAGING | PK-41661-001 | PACKAGING | PK-41661-001 | | | | |
| STATUS | | STATUS | | STATUS | | STATUS | | | | | |
| A-41661-BNB197-* | | | A-41661-BNB241-* | | | A-41661-BNAW197-* | | | A-41661-BNV241-* | | |
| MATERIAL | ENGINEERING | VOIDS | MATERIAL | ENGINEERING | VOIDS | MATERIAL | ENGINEERING | VOIDS | MATERIAL | ENGINEERING | VOIDS |
| 26-48-6021 | -B2B197 | | 26-48-5021 | -B2B241 | | 26-58-5024 | -B2AW197 | | 41661-0315 | -B2V241 | |
| 26-48-6031 | -B3B197 | | 26-48-5031 | -B3B241 | | 26-58-5034 | -B3AW197 | | 41661-0316 | -B3V241 | |
| 26-48-6041 | -B4B197 | | 26-48-5041 | -B4B241 | | 26-58-5044 | -B4AW197 | | 41661-0317 | -B4V241 | |
| 26-48-6051 | -B5B197 | | 26-48-5051 | -B5B241 | | 26-58-5054 | -B5AW197 | | 41661-0318 | -B5V241 | |
| 26-48-6061 | -B6B197 | | 26-48-5061 | -B6B241 | | 26-58-5064 | -B6AW197 | | 26-48-5068 | -B6V241 | |
| 26-48-6071 | -B7B197 | | 26-48-5071 | -B7B241 | | 26-58-5074 | -B7AW197 | | 41661-0319 | -B7V241 | |
| 26-48-6081 | -B8B197 | | 26-48-5081 | -B8B241 | | 26-58-5084 | -B8AW197 | | 26-48-5088 | -B8V241 | |
| 26-48-6091 | -B9B197 | | 26-48-5091 | -B9B241 | | 26-58-5094 | -B9AW197 | | 41661-0320 | -B9V241 | |
| 26-48-6101 | -B10B197 | | 26-48-5101 | -B10B241 | | 26-58-5104 | -B10AW197 | | 41661-0321 | -B10V241 | |
| 26-48-6111 | -B11B197 | | 26-48-5111 | -B11B241 | | 26-58-5114 | -B11AW197 | | 41661-0322 | -B11V241 | |
| 26-48-6121 | -B12B197 | | 26-48-5121 | -B12B241 | | 26-58-5124 | -B12AW197 | | 41661-0323 | -B12V241 | |
| 26-48-6131 | -B13B197 | | 26-48-5131 | -B13B241 | | 26-58-5134 | -B13AW197 | | 41661-0324 | -B13V241 | |
| 26-48-6141 | -B14B197 | | 26-48-5141 | -B14B241 | | 26-58-5144 | -B14AW197 | | 41661-0325 | -B14V241 | |
| 26-48-6151 | -B15B197 | | 26-48-5151 | -B15B241 | | 26-58-5154 | -B15AW197 | | 41661-0326 | -B15V241 | |
| 26-48-6161 | -B16B197 | | 26-48-5161 | -B16B241 | | 26-58-5164 | -B16AW197 | | 41661-0327 | -B16V241 | |
| 26-48-6171 | -B17B197 | | 26-48-5171 | -B17B241 | | 26-58-5174 | -B17AW197 | | 41661-0328 | -B17V241 | |
| 26-48-6181 | -B18B197 | | 26-48-5181 | -B18B241 | | 26-58-5184 | -B18AW197 | | 41661-0329 | -B18V241 | |
| 26-48-6191 | -B19B197 | | 26-48-5191 | -B19B241 | | 26-58-5194 | -B19AW197 | | 41661-0330 | -B19V241 | |
| 26-48-6201 | -B20B197 | | 26-48-5201 | -B20B241 | | 26-58-5204 | -B20AW197 | | 41661-0331 | -B20V241 | |
| 26-48-6211 | -B21B197 | | 26-48-5211 | -B21B241 | | 26-58-5214 | -B21AW197 | | 41661-0332 | -B21V241 | |
| 26-48-6221 | -B22B197 | | 26-48-5221 | -B22B241 | | 26-58-5224 | -B22AW197 | | 41661-0333 | -B22V241 | |
| 26-48-6231 | -B23B197 | | 26-48-5231 | -B23B241 | | 26-58-5234 | -B23AW197 | | 41661-0334 | -B23V241 | |
| 26-48-6241 | -B24B197 | | 26-48-5241 | -B24B241 | | 26-58-5244 | -B24AW197 | | 41661-0335 | -B24V241 | |
| | | | | | | | | | | | |
| | | | | | | | | | | | |
| | | | | | | | | | | | |

| | | | |
|---|--|--|-------------------------------|
| REV: BE | ECR/ECN INFORMATION: EC No.: UCP2012-0114 DATE: 10/31/2011 | TITLE: KK 156 HEADER ASSEMBLY FLAT BREAKAWAY 2-24 CKTS | SHEET No. - 7 - |
| DOCUMENT NUMBER: SD- 41661 -001 | CREATED / REVISED BY: MMSTROH | CHECKED BY: MKIPPER | APPROVED BY: FSMITH |

| | | | | | | | | | | | |
|-------------------|--------------|------------|------------------|-------------|--------------|-------------------|--------------|-------|-------------------|-------------|-------|
| PIN NUMBER | 43294-0830 | PIN NUMBER | 43294-0473 | PIN NUMBER | 43294-0598 | PIN NUMBER | 43294-0121 | | | | |
| PIN LENGTH | 35.05/1.380 | PIN LENGTH | 25.40/1.000 | PIN LENGTH | 28.70/1.130 | PIN LENGTH | 16.00/.630 | | | | |
| PLATING | 241 | PLATING | 197 | PLATING | 197 | PLATING | 197 | | | | |
| MATING "M" | 27.31/1.075 | MATING "M" | 18.26/.719 | MATING "M" | 22.28/.877 | MATING "M" | 8.94/.352 | | | | |
| PCB "P" | 4.50/.177 | PCB "P" | 3.89/.153 | PCB "P" | 3.18/.125 | PCB "P" | 3.81/.150 | | | | |
| GOLD "G" | 6.85/.270 | GOLD "G" | N/A | GOLD "G" | N/A | GOLD "G" | N/A | | | | |
| TIN "T" | 5.08/.200 | TIN "T" | OVERALL | TIN "T" | OVERALL | TIN "T" | OVERALL | | | | |
| PACKAGING | PK-41661-001 | PACKAGING | PK-41661-001 | PACKAGING | PK-41661-001 | PACKAGING | PK-41661-001 | | | | |
| STATUS | | STATUS | | STATUS | | STATUS | | | | | |
| A-41661-BNAN241-* | | | A-41661-BND197-* | | | A-41661-BNBA197-* | | | A-41661-BNBC197-* | | |
| MATERIAL | ENGINEERING | VOIDS | MATERIAL | ENGINEERING | VOIDS | MATERIAL | ENGINEERING | VOIDS | MATERIAL | ENGINEERING | VOIDS |
| 26-58-4026 | -B2AN241 | | 41661-0336 | -B2D197 | | 26-48-4025 | -B2BA197 | | 26-48-3023 | -B2BC197 | |
| 26-58-4036 | -B3AN241 | | 41661-0337 | -B3D197 | | 26-48-4035 | -B3BA197 | | 26-48-3033 | -B3BC197 | |
| 26-58-4046 | -B4AN241 | | 41661-0338 | -B4D197 | | 26-48-4045 | -B4BA197 | | 26-48-3043 | -B4BC197 | |
| 26-58-4056 | -B5AN241 | | 26-48-9052 | -B5D197 | | 26-48-4055 | -B5BA197 | | 26-48-3053 | -B5BC197 | |
| 26-58-4066 | -B6AN241 | | 41661-0339 | -B6D197 | | 26-48-4065 | -B6BA197 | | 26-48-3063 | -B6BC197 | |
| 26-58-4076 | -B7AN241 | | 41661-0340 | -B7D197 | | 26-48-4075 | -B7BA197 | | 26-48-3073 | -B7BC197 | |
| 26-58-4086 | -B8AN241 | | 26-48-9082 | -B8D197 | | 26-48-4085 | -B8BA197 | | 26-48-3083 | -B8BC197 | |
| 26-58-4096 | -B9AN241 | | 41661-0341 | -B9D197 | | 26-48-4095 | -B9BA197 | | 26-48-3093 | -B9BC197 | |
| 26-58-4106 | -B10AN241 | | 41661-0342 | -B10D197 | | 26-48-4105 | -B10BA197 | | 26-48-3103 | -B10BC197 | |
| 26-58-4116 | -B11AN241 | | 41661-0343 | -B11D197 | | 26-48-4115 | -B11BA197 | | 26-48-3113 | -B11BC197 | |
| 26-58-4126 | -B12AN241 | | 41661-0344 | -B12D197 | | 26-48-4125 | -B12BA197 | | 26-48-3123 | -B12BC197 | |
| 26-58-4136 | -B13AN241 | | 41661-0345 | -B13D197 | | 26-48-4135 | -B13BA197 | | 26-48-3133 | -B13BC197 | |
| 26-58-4146 | -B14AN241 | | 41661-0346 | -B14D197 | | 26-48-4145 | -B14BA197 | | 26-48-3143 | -B14BC197 | |
| 26-58-4156 | -B15AN241 | | 41661-0347 | -B15D197 | | 26-48-4155 | -B15BA197 | | 26-48-3153 | -B15BC197 | |
| 26-58-4166 | -B16AN241 | | 41661-0348 | -B16D197 | | 26-48-4165 | -B16BA197 | | 26-48-3163 | -B16BC197 | |
| 26-58-4176 | -B17AN241 | | 41661-0349 | -B17D197 | | 26-48-4175 | -B17BA197 | | 26-48-3173 | -B17BC197 | |
| 26-58-4186 | -B18AN241 | | 41661-0350 | -B18D197 | | 26-48-4185 | -B18BA197 | | 26-48-3183 | -B18BC197 | |
| 26-58-4196 | -B19AN241 | | 41661-0351 | -B19D197 | | 26-48-4195 | -B19BA197 | | 26-48-3193 | -B19BC197 | |
| 26-58-4206 | -B20AN241 | | 41661-0352 | -B20D197 | | 26-48-4205 | -B20BA197 | | 26-48-3203 | -B20BC197 | |
| 26-58-4216 | -B21AN241 | | 41661-0353 | -B21D197 | | 26-48-4215 | -B21BA197 | | 26-48-3213 | -B21BC197 | |
| 26-58-4226 | -B22AN241 | | 41661-0354 | -B22D197 | | 26-48-4225 | -B22BA197 | | 26-48-3223 | -B22BC197 | |
| 26-58-4236 | -B23AN241 | | 41661-0355 | -B23D197 | | 26-48-4235 | -B23BA197 | | 26-48-3233 | -B23BC197 | |
| 26-58-4246 | -B24AN241 | | 26-48-9242 | -B24D197 | | 26-48-4245 | -B24BA197 | | 26-48-3243 | -B24BC197 | |
| | | | | | | | | | | | |
| | | | | | | | | | | | |
| | | | | | | | | | | | |

| | | | |
|---|--|--|-------------------------------|
| REV: BE | ECR/ECN INFORMATION: EC No.: UCP2012-0114 DATE: 10/31/2011 | TITLE: KK 156 HEADER ASSEMBLY FLAT BREAKAWAY 2-24 CKTS | SHEET No. - 8 - |
| DOCUMENT NUMBER: SD- 41661 -001 | CREATED / REVISED BY: MMSTROH | CHECKED BY: MKIPPER | APPROVED BY: FSMITH |

| | | | | | | | | | | | |
|-------------------|--------------|------------|------------------|-------------|-----------|------------------|--------------|---------------------|-------------------|-------------|-------|
| PIN NUMBER | 43294-0365 | PIN NUMBER | 43294-0241 | PIN NUMBER | CONTINUED | PIN NUMBER | 43294-0572 | | | | |
| PIN LENGTH | 22.61/.890 | PIN LENGTH | 19.05/.750 | PIN LENGTH | | PIN LENGTH | 27.94/1.100 | | | | |
| PLATING | 241 | PLATING | 241 | PLATING | FROM | PLATING | 197 | | | | |
| MATING "M" | 14.99/.590 | MATING "M" | 11.43/.450 | MATING "M" | | MATING "M" | 12.34/.486 | | | | |
| PCB "P" | 4.37/.172 | PCB "P" | 4.37/.172 | PCB "P" | LAST | PCB "P" | 12.34/.486 | | | | |
| GOLD "G" | 10.54/.415 | GOLD "G" | 6.86/.270 | GOLD "G" | | GOLD "G" | N/A | | | | |
| TIN "T" | 4.06/.160 | TIN "T" | 4.06/.160 | TIN "T" | COLUMN | TIN "T" | OVERALL | | | | |
| PACKAGING | PK-41661-001 | PACKAGING | PK-41661-001 | PACKAGING | | PACKAGING | PK-41661-001 | | | | |
| STATUS | | STATUS | | STATUS | | STATUS | | | | | |
| A-41661-BNAE241-* | | | A-41661-BNA241-* | | | A-41661-BNA241-* | | | A-41661-BNCC197-* | | |
| MATERIAL | ENGINEERING | VOIDS | MATERIAL | ENGINEERING | VOIDS | MATERIAL | ENGINEERING | VOIDS | MATERIAL | ENGINEERING | VOIDS |
| 26-48-2020 | -B2AE241 | | 26-48-2021 | -B2A241 | | 26-49-7171 | -B17A241-51 | 2,4,6,8,10,12,14,16 | 41661-0380 | -B2CC197 | |
| 26-48-2030 | -B3AE241 | | 26-48-2031 | -B3A241 | | | | | 41661-0381 | -B3CC197 | |
| 26-48-2040 | -B4AE241 | | 26-48-2041 | -B4A241 | | | | | 41661-0382 | -B4CC197 | |
| 26-48-2050 | -B5AE241 | | 26-48-2051 | -B5A241 | | | | | 41661-0383 | -B5CC197 | |
| 26-48-2060 | -B6AE241 | | 26-48-2061 | -B6A241 | | | | | 41661-0384 | -B6CC197 | |
| 26-48-2070 | -B7AE241 | | 26-48-2071 | -B7A241 | | | | | 41661-0385 | -B7CC197 | |
| 26-48-2080 | -B8AE241 | | 26-48-2081 | -B8A241 | | | | | 41661-0386 | -B8CC197 | |
| 26-48-2090 | -B9AE241 | | 26-48-2091 | -B9A241 | | | | | 41661-0387 | -B9CC197 | |
| 26-48-2100 | -B10AE241 | | 26-48-2101 | -B10A241 | | | | | 41661-0388 | -B10CC197 | |
| 26-48-2110 | -B11AE241 | | 26-48-2111 | -B11A241 | | | | | 41661-0389 | -B11CC197 | |
| 26-48-2120 | -B12AE241 | | 26-48-2121 | -B12A241 | | | | | 41661-0390 | -B12CC197 | |
| 26-48-2130 | -B13AE241 | | 26-48-2131 | -B13A241 | | | | | 41661-0391 | -B13CC197 | |
| 26-48-2140 | -B14AE241 | | 26-48-2141 | -B14A241 | | | | | 41661-0392 | -B14CC197 | |
| 26-48-2150 | -B15AE241 | | 26-48-2151 | -B15A241 | | | | | 41661-0393 | -B15CC197 | |
| 26-48-2160 | -B16AE241 | | 26-48-2161 | -B16A241 | | | | | 41661-0394 | -B16CC197 | |
| 26-48-2170 | -B17AE241 | | 26-48-2171 | -B17A241 | | | | | 41661-0395 | -B17CC197 | |
| 26-48-2180 | -B18AE241 | | 26-48-2181 | -B18A241 | | | | | 41661-0396 | -B18CC197 | |
| 26-48-2190 | -B19AE241 | | 26-48-2191 | -B19A241 | | | | | 41661-0397 | -B19CC197 | |
| 26-48-2200 | -B20AE241 | | 26-48-2201 | -B20A241 | | | | | 41661-0398 | -B20CC197 | |
| 26-48-2210 | -B21AE241 | | 26-48-2211 | -B21A241 | | | | | 41661-0399 | -B21CC197 | |
| 26-48-2220 | -B22AE241 | | 26-48-2221 | -B22A241 | | | | | 41661-0400 | -B22CC197 | |
| 26-48-2230 | -B23AE241 | | 26-48-2231 | -B23A241 | | | | | 41661-0401 | -B23CC197 | |
| 26-48-2240 | -B24AE241 | | 26-48-2241 | -B24A241 | | | | | 41661-0402 | -B24CC197 | |
| | | | | | | | | | | | |
| | | | | | | | | | | | |
| | | | | | | | | | | | |

| | | | |
|---|--|--|-------------------------------|
| REV: BE | ECR/ECN INFORMATION: EC No.: UCP2012-0114 DATE: 10/31/2011 | TITLE: KK 156 HEADER ASSEMBLY FLAT BREAKAWAY 2-24 CKTS | SHEET No. - 9 - |
| DOCUMENT NUMBER: SD- 41661 -001 | CREATED / REVISED BY: MMSTROH | CHECKED BY: MKIPPER | APPROVED BY: FSMITH |

| | | | | | | | | | | | |
|-------------------|--------------|------------|-------------------|-------------|--------------|-------------------|--------------|-------|-------------------|-------------|-------|
| PIN NUMBER | 43294-0362 | PIN NUMBER | 43294-0363 | PIN NUMBER | 43294-0587 | PIN NUMBER | 43294-0317 | | | | |
| PIN LENGTH | 22.61/.890 | PIN LENGTH | 22.61/.890 | PIN LENGTH | 28.45/1.120 | PIN LENGTH | 21.34/.840 | | | | |
| PLATING | 208 | PLATING | 228 | PLATING | 208 | PLATING | 208 | | | | |
| MATING "M" | 15.09/.594 | MATING "M" | 15.09/.594 | MATING "M" | 22.15/.872 | MATING "M" | 13.97/.550 | | | | |
| PCB "P" | 4.27/.168 | PCB "P" | 4.27/.168 | PCB "P" | 3.05/.120 | PCB "P" | 4.11/.162 | | | | |
| GOLD "G" | 10.54/.415 | GOLD "G" | 10.54/.415 | GOLD "G" | 6.86/.270 | GOLD "G" | 8.89/.350 | | | | |
| TIN "T" | 4.06/.160 | TIN "T" | 4.06/.160 | TIN "T" | 5.08/.200 | TIN "T" | 5.08/.200 | | | | |
| PACKAGING | PK-41661-001 | PACKAGING | PK-41661-001 | PACKAGING | PK-41661-001 | PACKAGING | PK-41661-001 | | | | |
| STATUS | | STATUS | | STATUS | | STATUS | | | | | |
| A-41661-BNCA208-* | | | A-41661-BNCA228-* | | | A-41661-BNCD208-* | | | A-41661-BNCE208-* | | |
| MATERIAL | ENGINEERING | VOIDS | MATERIAL | ENGINEERING | VOIDS | MATERIAL | ENGINEERING | VOIDS | MATERIAL | ENGINEERING | VOIDS |
| 41661-0047 | -B2CA208 | | 41661-0070 | -B2CA228 | | 41661-0403 | -B2CD208 | | 41661-0426 | -B2CE208 | |
| 41661-0048 | -B3CA208 | | 41661-0071 | -B3CA228 | | 41661-0404 | -B3CD208 | | 41661-0427 | -B3CE208 | |
| 41661-0049 | -B4CA208 | | 41661-0072 | -B4CA228 | | 41661-0405 | -B4CD208 | | 41661-0428 | -B4CE208 | |
| 41661-0050 | -B5CA208 | | 41661-0073 | -B5CA228 | | 41661-0406 | -B5CD208 | | 41661-0429 | -B5CE208 | |
| 41661-0051 | -B6CA208 | | 41661-0074 | -B6CA228 | | 41661-0407 | -B6CD208 | | 41661-0430 | -B6CE208 | |
| 41661-0052 | -B7CA208 | | 41661-0075 | -B7CA228 | | 41661-0408 | -B7CD208 | | 41661-0431 | -B7CE208 | |
| 41661-0053 | -B8CA208 | | 41661-0076 | -B8CA228 | | 41661-0409 | -B8CD208 | | 41661-0432 | -B8CE208 | |
| 41661-0054 | -B9CA208 | | 41661-0077 | -B9CA228 | | 41661-0410 | -B9CD208 | | 41661-0433 | -B9CE208 | |
| 41661-0055 | -B10CA208 | | 41661-0078 | -B10CA228 | | 41661-0411 | -B10CD208 | | 41661-0434 | -B10CE208 | |
| 41661-0056 | -B11CA208 | | 41661-0079 | -B11CA228 | | 41661-0412 | -B11CD208 | | 41661-0435 | -B11CE208 | |
| 41661-0057 | -B12CA208 | | 41661-0080 | -B12CA228 | | 41661-0413 | -B12CD208 | | 41661-0436 | -B12CE208 | |
| 41661-0058 | -B13CA208 | | 41661-0081 | -B13CA228 | | 41661-0414 | -B13CD208 | | 41661-0437 | -B13CE208 | |
| 41661-0059 | -B14CA208 | | 41661-0082 | -B14CA228 | | 41661-0415 | -B14CD208 | | 41661-0438 | -B14CE208 | |
| 41661-0060 | -B15CA208 | | 41661-0083 | -B15CA228 | | 41661-0416 | -B15CD208 | | 41661-0439 | -B15CE208 | |
| 41661-0061 | -B16CA208 | | 41661-0084 | -B16CA228 | | 41661-0417 | -B16CD208 | | 41661-0440 | -B16CE208 | |
| 41661-0062 | -B17CA208 | | 41661-0085 | -B17CA228 | | 41661-0418 | -B17CD208 | | 41661-0441 | -B17CE208 | |
| 41661-0063 | -B18CA208 | | 41661-0086 | -B18CA228 | | 41661-0419 | -B18CD208 | | 41661-0442 | -B18CE208 | |
| 41661-0064 | -B19CA208 | | 41661-0087 | -B19CA228 | | 41661-0420 | -B19CD208 | | 41661-0443 | -B19CE208 | |
| 41661-0065 | -B20CA208 | | 41661-0088 | -B20CA228 | | 41661-0421 | -B20CD208 | | 41661-0444 | -B20CE208 | |
| 41661-0066 | -B21CA208 | | 41661-0089 | -B21CA228 | | 41661-0422 | -B21CD208 | | 41661-0445 | -B21CE208 | |
| 41661-0067 | -B22CA208 | | 41661-0090 | -B22CA228 | | 41661-0423 | -B22CD208 | | 41661-0446 | -B22CE208 | |
| 41661-0068 | -B23CA208 | | 41661-0091 | -B23CA228 | | 41661-0424 | -B23CD208 | | 41661-0447 | -B23CE208 | |
| 41661-0069 | -B24CA208 | | 41661-0092 | -B24CA228 | | 41661-0425 | -B24CD208 | | 41661-0448 | -B24CE208 | |

| | | | |
|---|--|--|-------------------------------|
| REV: BE | ECR/ECN INFORMATION: EC No.: UCP2012-0114 DATE: 10/31/2011 | TITLE: KK 156 HEADER ASSEMBLY FLAT BREAKAWAY 2-24 CKTS | SHEET No. - 10 - |
| DOCUMENT NUMBER: SD- 41661 -001 | | CREATED / REVISED BY: MMSTROH | CHECKED BY: MKIPPER |
| | | APPROVED BY: FSMITH | |

| | | | | | | | | | | | |
|------------|-------------|-------|-------------------------|-------------|-------|-------------------------|-------------|-------|--------------------------|-------------|-------|
| PIN NUMBER | | | PIN NUMBER 43294-0175 | | | PIN NUMBER 43294-0419 | | | PIN NUMBER 43294-0500 | | |
| PIN LENGTH | | | PIN LENGTH 17.53 / .690 | | | PIN LENGTH 23.88 / .940 | | | PIN LENGTH 26.16 / 1.030 | | |
| PLATING | | | PLATING 197 | | | PLATING 197 | | | PLATING 197 | | |
| MATING "M" | | | MATING "M" 9.70 / .382 | | | MATING "M" 17.09 / .673 | | | MATING "M" 11.43 / .450 | | |
| PCB "P" | | | PCB "P" 4.57 / .180 | | | PCB "P" 3.53 / .139 | | | PCB "P" 11.48 / .452 | | |
| GOLD "G" | | | GOLD "G" NA | | | GOLD "G" NA | | | GOLD "G" N/A | | |
| TIN "T" | | | TIN "T" OVERALL | | | TIN "T" OVERALL | | | TIN "T" OVERALL | | |
| PACKAGING | | | PACKAGING PK-41661-001 | | | PACKAGING PK-41661-001 | | | PACKAGING PK-41661-001 | | |
| STATUS | | | STATUS | | | STATUS | | | STATUS | | |
| | | | A-41661-BNCG197-* | | | A-41661-BNCH197-* | | | A-41661-BNCL197-* | | |
| MATERIAL | ENGINEERING | VOIDS | MATERIAL | ENGINEERING | VOIDS | MATERIAL | ENGINEERING | VOIDS | MATERIAL | ENGINEERING | VOIDS |
| | | | 41661-0472 | -B02CG197 | | | | | | | |
| | | | 41661-0473 | -B03CG197 | | | | | | | |
| | | | 41661-0474 | -B04CG197 | | 41661-0497 | B04CH197 | | | | |
| | | | 41661-0475 | -B05CG197 | | | | | | | |
| | | | 41661-0476 | -B06CG197 | | | | | 41661-0522 | -B06CL197 | |
| | | | 41661-0477 | -B07CG197 | | | | | | | |
| | | | 41661-0478 | -B08CG197 | | | | | | | |
| | | | 41661-0479 | -B09CG197 | | | | | 41661-0525 | -B09CL197 | |
| | | | 41661-0480 | -B10CG197 | | | | | | | |
| | | | 41661-0481 | -B11CG197 | | | | | | | |
| | | | 41661-0482 | -B12CG197 | | | | | | | |
| | | | 41661-0483 | -B13CG197 | | | | | | | |
| | | | 41661-0484 | -B14CG197 | | | | | | | |
| | | | 41661-0485 | -B15CG197 | | | | | | | |
| | | | 41661-0486 | -B16CG197 | | | | | | | |
| | | | 41661-0487 | -B17CG197 | | | | | | | |
| | | | 41661-0488 | -B18CG197 | | | | | | | |
| | | | 41661-0489 | -B19CG197 | | | | | | | |
| | | | 41661-0490 | -B20CG197 | | | | | | | |
| | | | 41661-0491 | -B21CG197 | | | | | | | |
| | | | 41661-0492 | -B22CG197 | | | | | | | |
| | | | 41661-0493 | -B23CG197 | | | | | | | |
| | | | 41661-0494 | -B24CG197 | | | | | | | |

| | | | | |
|--|--|---|---------------------------------------|--------------------------------------|
| REV: BE | <u>ECR/ECN INFORMATION:</u> EC No.: UCP2012-0114 | <u>TITLE:</u> KK 156 HEADER ASSEMBLY FLAT BREAKAWAY 2-24 CKTS | <u>SHEET No.</u> - 11 - | |
| | <u>DATE:</u> 10/31/2011 | | | |
| <u>DOCUMENT NUMBER:</u> SD- 41661 -001 | | <u>CREATED / REVISED BY:</u> MMSTROH | <u>CHECKED BY:</u> MKIPPER | <u>APPROVED BY:</u> FSMITH |

| | | | | | | | | | | | |
|------------------|--------------|------------|------------------|-------------|---------------|-------------------|---------------|-------|-------------------|-------------|-------|
| PIN NUMBER | 43294-0236 | PIN NUMBER | 43294-0614 | PIN NUMBER | 43294-0832 | PIN NUMBER | 43294-0643 | | | | |
| PIN LENGTH | 19.05 / .750 | PIN LENGTH | 29.21 / 1.150 | PIN LENGTH | 35.05 / 1.380 | PIN LENGTH | 29.97 / 1.180 | | | | |
| PLATING | 208 | PLATING | 208 | PLATING | 197 | PLATING | 197 | | | | |
| MATING "M" | 12.93 / .509 | MATING "M" | 21.21 / .835 | MATING "M" | 27.43 / 1.080 | MATING "M" | 24.51 / .965 | | | | |
| PCB "P" | 2.87 / .113 | PCB "P" | 4.75 / .187 | PCB "P" | 4.37 / .172 | PCB "P" | 2.21 / .087 | | | | |
| GOLD "G" | 6.86 / .270 | GOLD "G" | 6.86 / .270 | GOLD "G" | N/A | GOLD "G" | N/A | | | | |
| TIN "T" | 4.06 / .160 | TIN "T" | 5.08 / .200 | TIN "T" | OVERALL | TIN "T" | OVERALL | | | | |
| PACKAGING | PK-41661-001 | PACKAGING | PK-41661-001 | PACKAGING | PK-41661-001 | PACKAGING | PK-41661-001 | | | | |
| STATUS | | STATUS | | STATUS | | STATUS | | | | | |
| A-41661-BNB208-* | | | A-41661-BND208-* | | | A-41661-BNCM197-* | | | A-41661-BNCN197-* | | |
| MATERIAL | ENGINEERING | VOIDS | MATERIAL | ENGINEERING | VOIDS | MATERIAL | ENGINEERING | VOIDS | MATERIAL | ENGINEERING | VOIDS |
| | -B02B208 | | | -B02D208 | | | | | | | |
| | -B03B208 | | | -B03D208 | | | | | | | |
| | -B04B208 | | 41661-0566 | -B04D208 | | | | | | | |
| | -B05B208 | | | -B05D208 | | | | | | | |
| | -B06B208 | | | -B06D208 | | | | | | | |
| | -B07B208 | | | -B07D208 | | | | | | | |
| | -B08B208 | | | -B08D208 | | | | | | | |
| | -B09B208 | | | -B09D208 | | | | | | | |
| 41661-0549 | -B10B208 | | | -B10D208 | | | | | 41661-0621 | -B10CN197 | |
| | -B11B208 | | | -B11D208 | | | | | | | |
| 41661-0551 | -B12B208 | | | -B12D208 | | 41661-0600 | -B12CM197 | | | | |
| | -B13B208 | | | -B13D208 | | | | | | | |
| | -B14B208 | | | -B14D208 | | | | | | | |
| | -B15B208 | | | -B15D208 | | | | | | | |
| | -B16B208 | | | -B16D208 | | | | | | | |
| | -B17B208 | | | -B17D208 | | | | | | | |
| | -B18B208 | | | -B18D208 | | | | | | | |
| | -B19B208 | | | -B19D208 | | | | | | | |
| | -B20B208 | | | -B20D208 | | | | | | | |
| | -B21B208 | | | -B21D208 | | | | | | | |
| | -B22B208 | | | -B22D208 | | | | | | | |
| | -B23B208 | | | -B23D208 | | | | | | | |
| | -B24B208 | | | -B24D208 | | | | | | | |

| | | | |
|---|--|--|-------------------------------|
| REV: BE | ECR/ECN INFORMATION: EC No.: UCP2012-0114 DATE: 10/31/2011 | TITLE: KK 156 HEADER ASSEMBLY FLAT BREAKAWAY 2-24 CKTS | SHEET No. - 12 - |
| DOCUMENT NUMBER: SD- 41661 -001 | CREATED / REVISED BY: MMSTROH | CHECKED BY: MKIPPER | APPROVED BY: FSMITH |

