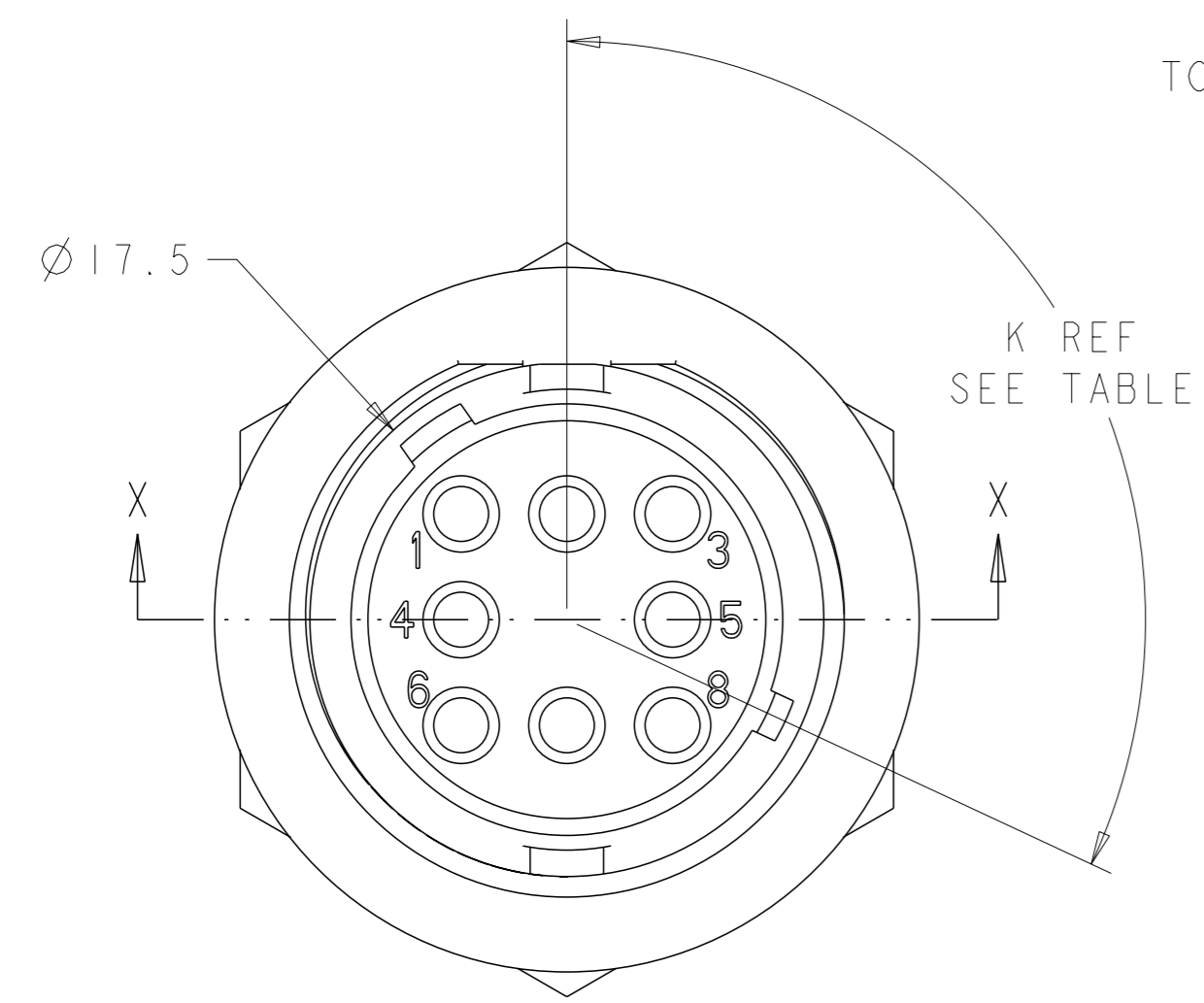
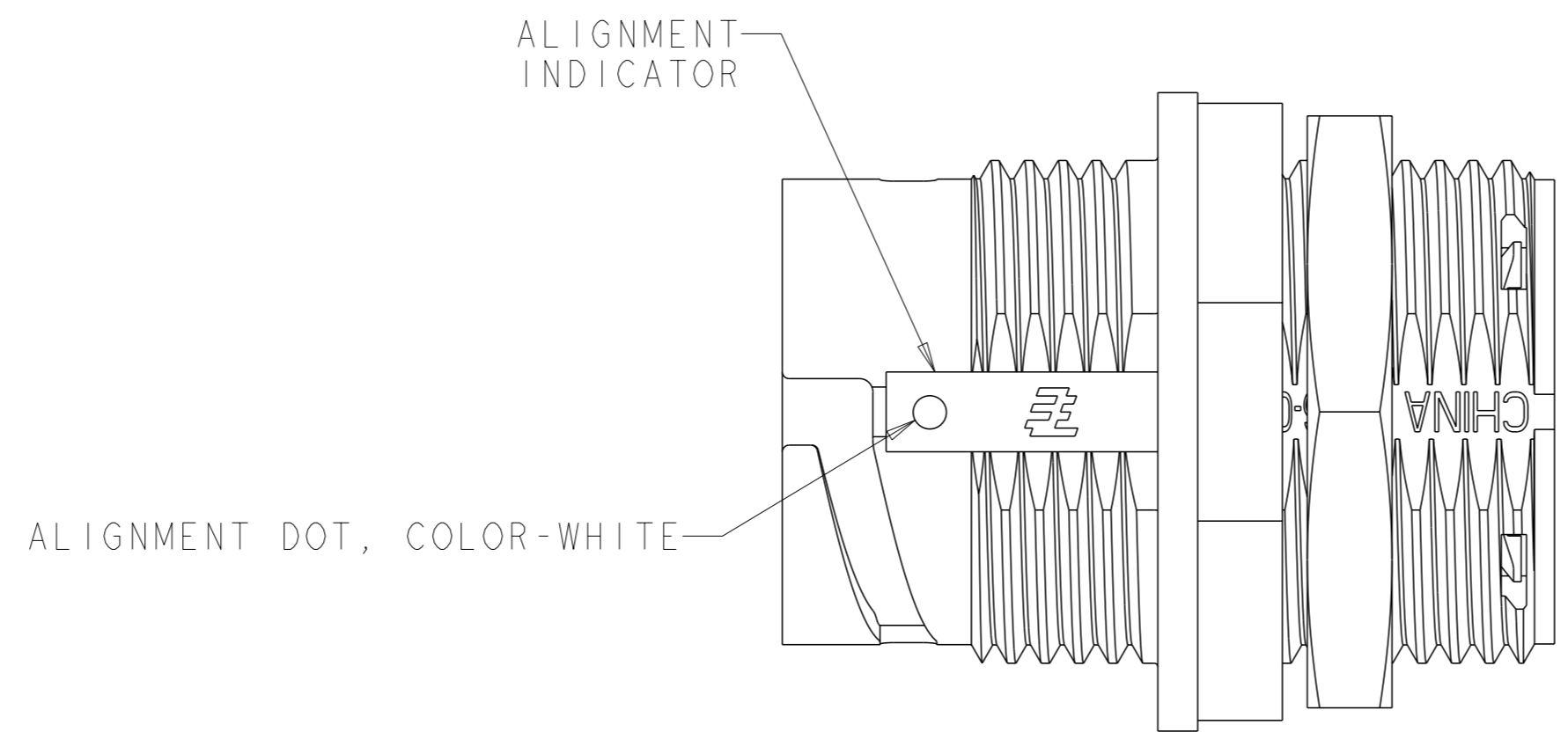
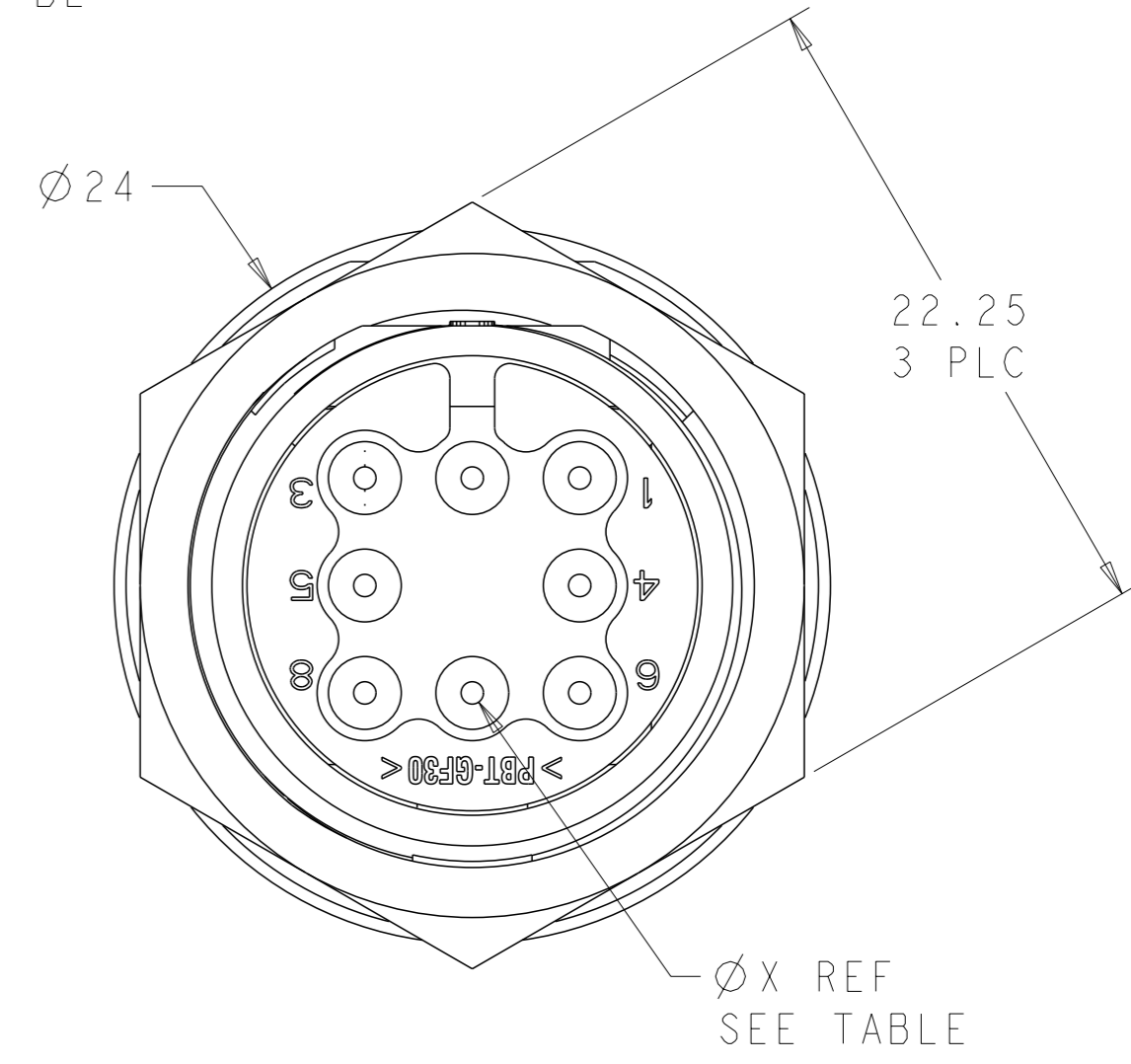
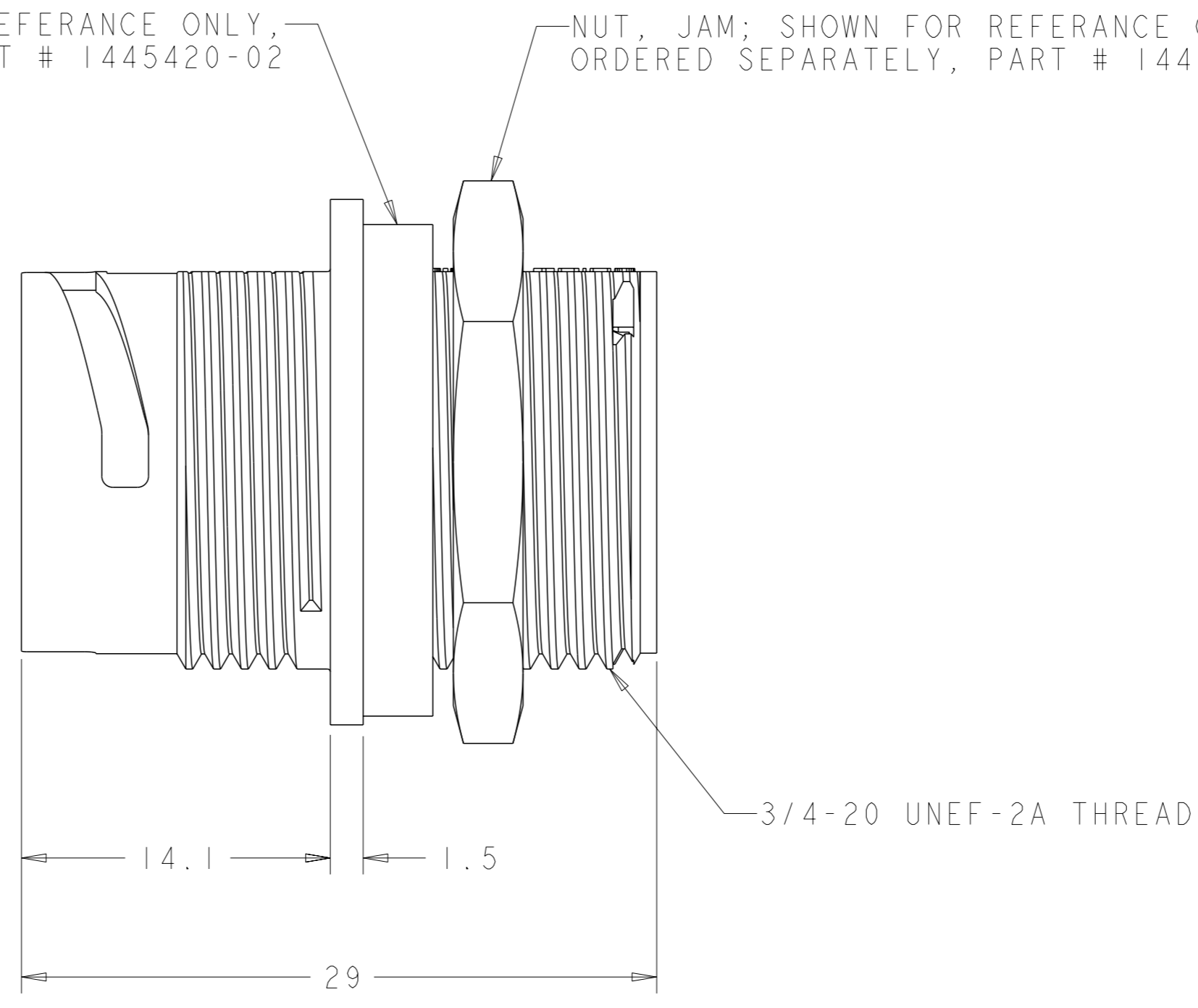


REVISIONS				
#	LY#	DESCRIPTION	DATE	OWN APVD
B2		REVISED PER ECO-15-010004	13JUL2015	NK MZ
C		REVISED PER ECO-17-004650	06APR2017	BDA MZ

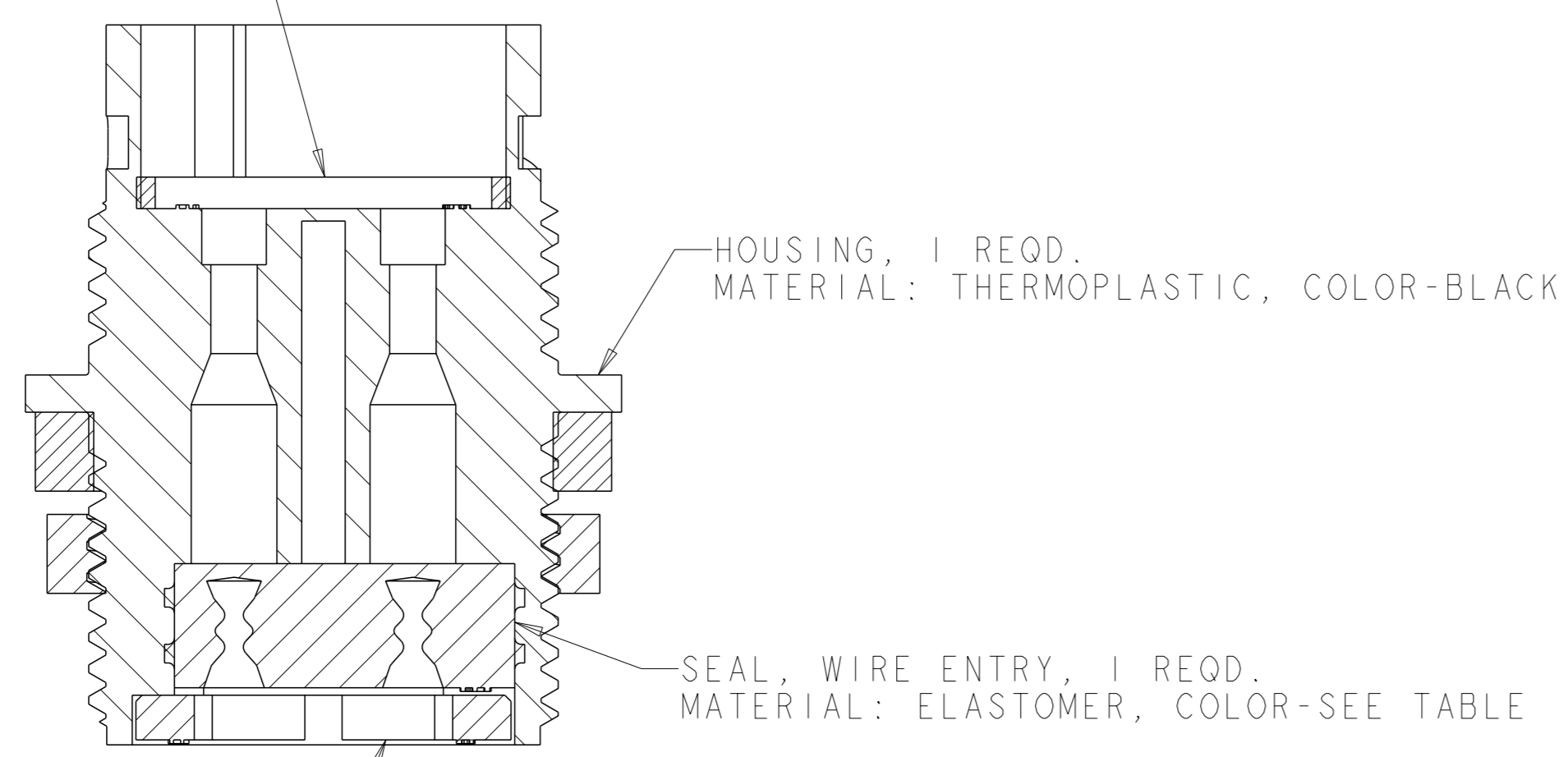


SEAL, PANEL, SHOWN FOR REFERENCE ONLY, TO BE ORDERED SEPARATELY, PART # 1445420-02

NUT, JAM; SHOWN FOR REFERENCE ONLY, TO BE ORDERED SEPARATELY, PART # 1445904-1

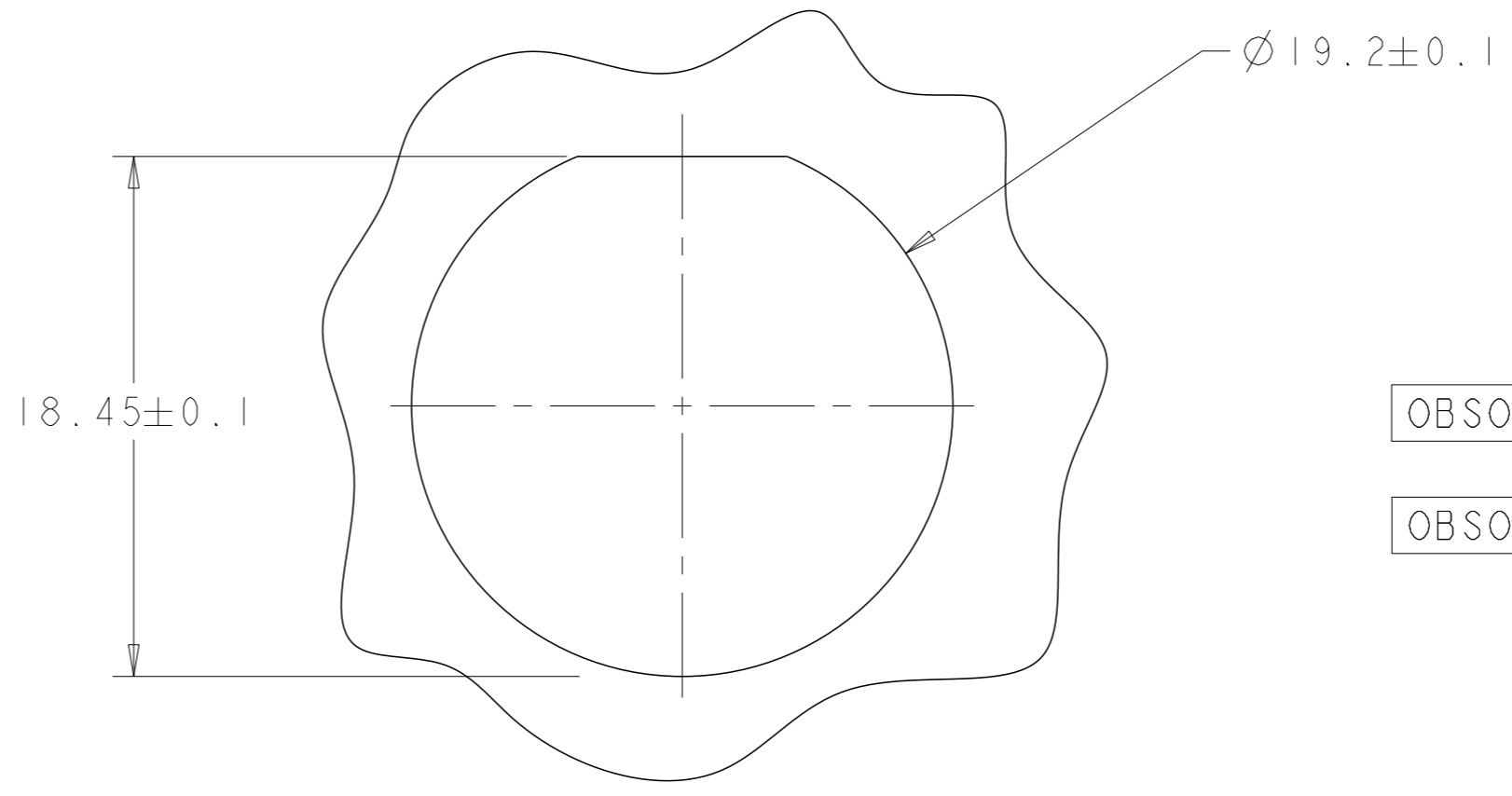


SEAL, PERIPHERAL, 1 REQD.
MATERIAL: ELASTOMER, COLOR-GRAY



RETAINER, SEAL, 1 REQD.
MATERIAL: THERMOPLASTIC, COLOR-BLACK

SECTION X-X



SUGGESTED PANEL CUTOUT

1. CONNECTOR CAN BE FRONT OR REAR PANEL MOUNTED.
 △ MAX PANEL THICKNESS - 3.18

OBSOLETE	YELLOW	Ø0.75	135°	1445821-04
	NATURAL	Ø1.5	115°	1445821-03
OBSOLETE	NATURAL	Ø1.5	135°	1445821-02
	YELLOW	Ø0.75	115°	1445821-01
	SEAL, WIRE ENTRY COLOR	ØX REF	K REF	PART NUMBER

THIS DRAWING IS A CONTROLLED DOCUMENT.		OWN SHANE WIESE 12OCT2001	TE Connectivity
DIMENSIONS: mm		CHK G DOUTY 12OCT2001	
TOLERANCES UNLESS OTHERWISE SPECIFIED:		APVD H WAKEEM 13JUN2003	NAME ASSEMBLY, RECEPTACLE, SIZE 11, 8 POSITION, PANEL MOUNT, SEALED, MINI CPC
0 PLC ± 1 PLC ±0.13 2 PLC ± 3 PLC ± 4 PLC ± ANGLES FINISH *		PRODUCT SPEC	SIZE CAGE CODE DRAWING NO. RESTRICTED TO
MATERIAL SEE CALLOUT		APPLICATION SPEC	A100779C=1445821
WEIGHT		CUSTOMER DRAWING	SCALE 4:1 SHEET 1 OF 1 REV C