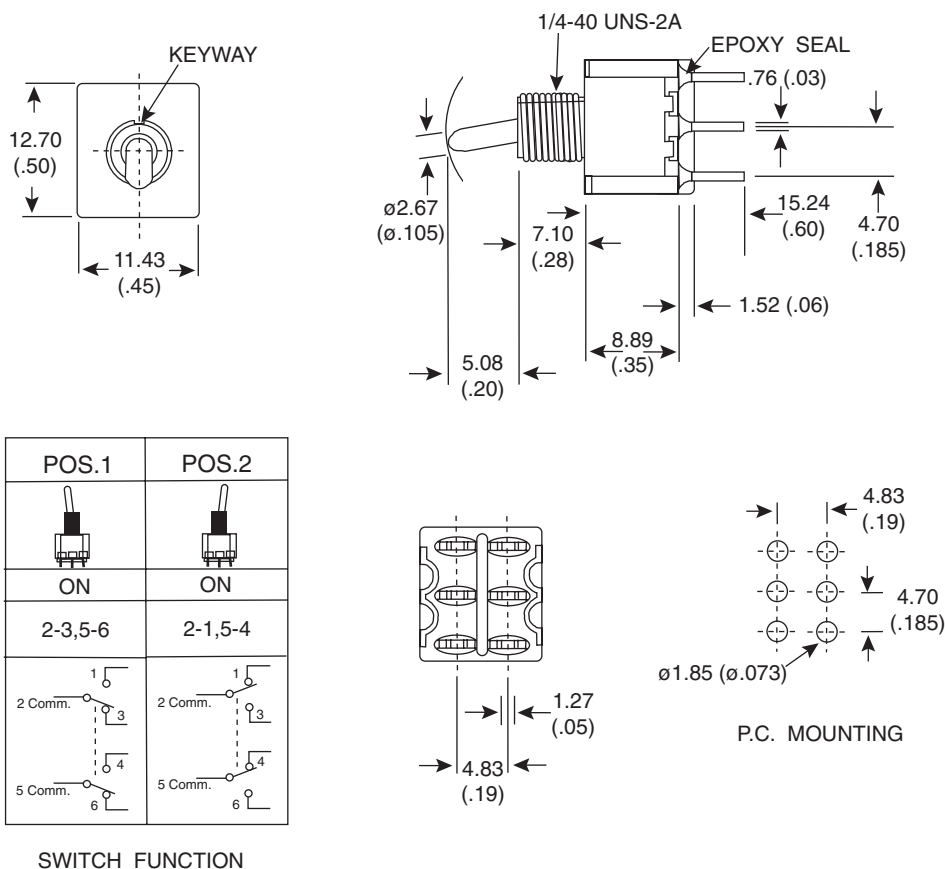


Dimensions: mm (in.)



Electrical Specifications:

- Electrical Life: 40,000 make-and-break cycles at full load
- Contact Resistance: 10mΩ max. initial @ 2-4VDC 100mA
- Insulation Resistance: 1,000MΩ min.
- Dielectric Strength: 1,000 V RMS@ sea level.
- Rating: 2A / 250 VAC; 5A / 120 VAC or 28 VDC

Mechanical Specifications:

- Operating Temperature: -30° C to +85° C.

Materials:

- Case: Diallyl phthalate (DAP)
- Acuator: Brass, chrome plated.
- Bushing: Brass, nickel plated.
- Housing: Stainless steel.
- Terminal/Contact: Silver or Gold plated.

Note:

- RoHS compliant by exemption

Toggle Switch
108-1MD1T2B3M2QE-EVX



Mouser Electronics

Authorized Distributor

Click to View Pricing, Inventory, Delivery & Lifecycle Information:

[Mountain Switch:](#)

[108-1MD1T2B3M2QE-EVX](#)