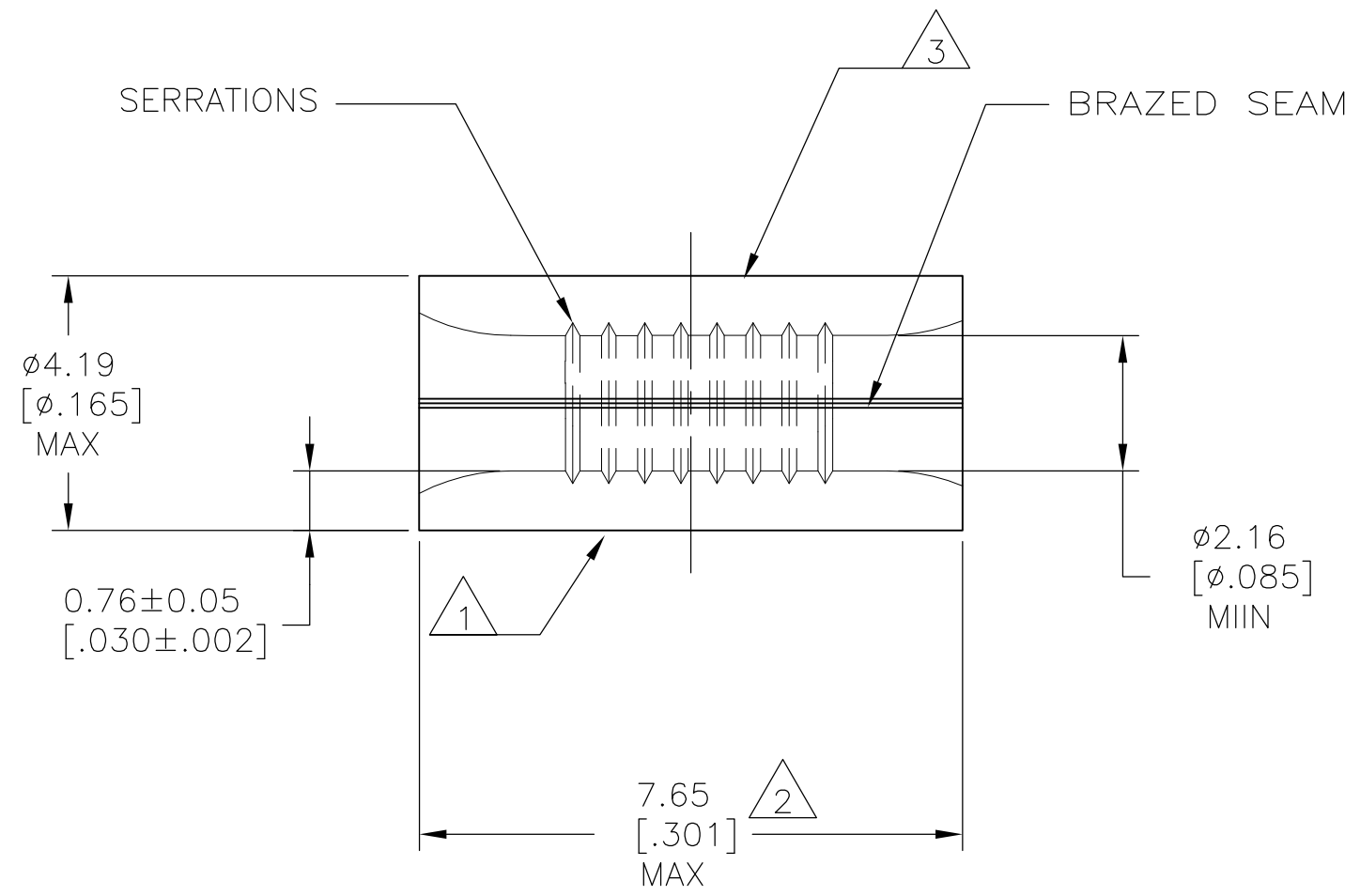
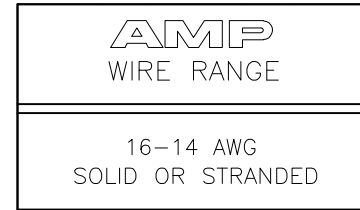


THIS DRAWING IS UNPUBLISHED. RELEASED FOR PUBLICATION
 © COPYRIGHT - By - ALL RIGHTS RESERVED.

LOC	DIST	REVISIONS					
		P	LTR	DESCRIPTION	DATE	DWN	APVD
G	14						
		G3		REVISED PER ECO-14-019230	03APR2015	NK	DR



- 1 STAMP "AMP 16-14 2 1/2-4" APPROX AS SHOWN.
- 2 MAXIMUM LENGTH DOES NOT INCLUDE MANUFACTURING TABS.
- 3 WIRE BARREL COLOR CODED ORANGE TO DENOTE NICKEL MATERIAL.
- 4 NOTE DELETED.
- 5 NICKEL PER ASTM B-162, ANNEALED.

CUSTOMER SERVICE SYSTEMS

FOR ADDITIONAL PRODUCT INFORMATION OR COPIES OF DRAWINGS AND TECHNICAL DOCUMENTS		PRODUCT INFORMATION CENTER 1-800-522-6752	MAX RECOMMENDED OPERATING TEMPERATURE: 649°C [1200°F] MAX
FOR APPLICATION TOOLING INFORMATION		TOOLING ASSISTANCE CENTER 1-800-722-1111	
FOR ORDER ENTRY		1-800-526-5142	VOLTAGE RATING: N/A
			CIRCULAR MIL AREA: 1.04-2.62mm ² [2,050-5,180] SOLID OR STRANDED

1000	LOOSE PIECE	3 322347
QTY	PACKAGE TYPE	PART NO.

THIS DRAWING IS A CONTROLLED DOCUMENT.		DWN TA BRINKMAN 4-19-93	TE TE Connectivity	
DIMENSIONS: mm [INCHES]		CHK DA PATTERSON 4-19-93		
TOLERANCES UNLESS OTHERWISE SPECIFIED:		APVD JL MECKLEY 4-19-93	NAME	
0 PLC ± -		PRODUCT SPEC	SPLICE, PARALLEL, HIGH TEMPERATURE, STRATO-THERM	
1 PLC ± -		APPLICATION SPEC	SIZE	CAGE CODE
2 PLC ± -		WEIGHT	A2	00779
3 PLC ± -		MATERIAL	DRAWING NO	
4 PLC ± -		FINISH	C=322347	
4 PLC ANGLES ± -		CUSTOMER DRAWING	SCALE	SHEET
5			10:1	1 of 1
			REV	G3

Mouser Electronics

Authorized Distributor

Click to View Pricing, Inventory, Delivery & Lifecycle Information:

[TE Connectivity:](#)

[322347](#)