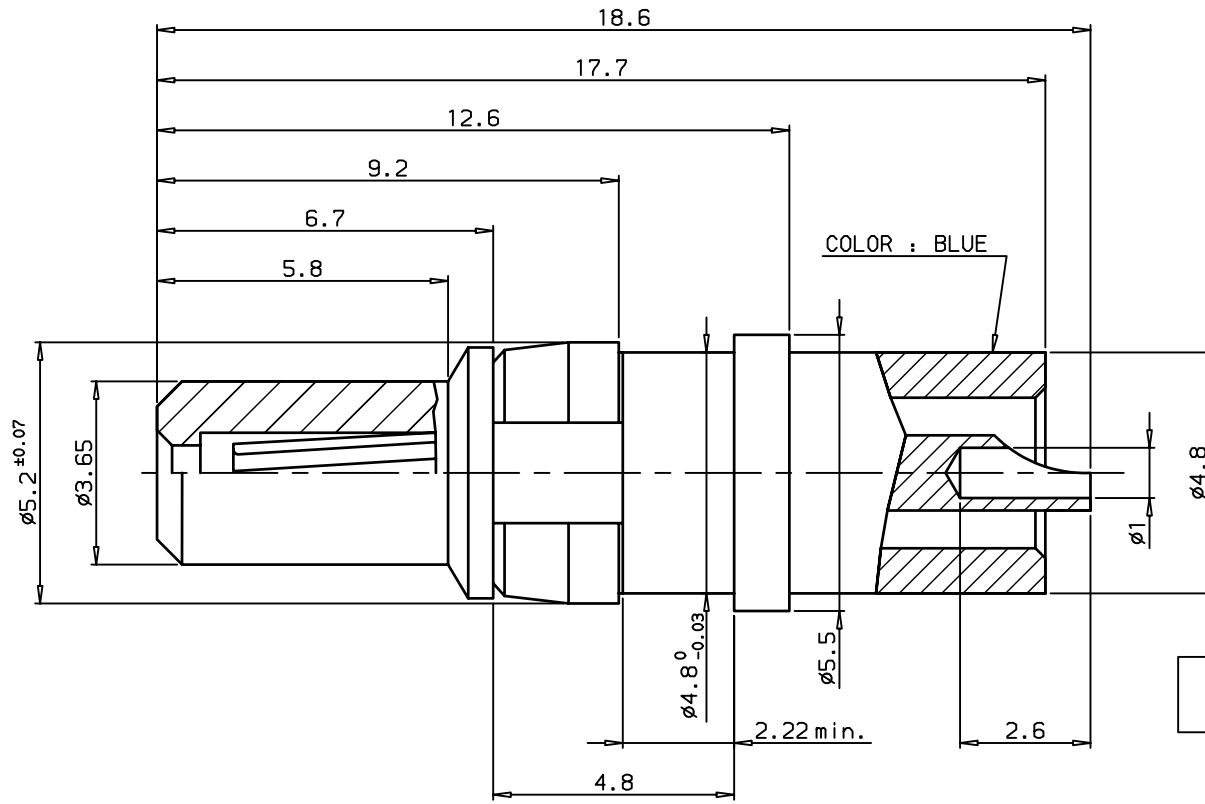


MATERIAL and Plating
 Body:blue PTFE
 Center contact:phosphor bronze gold plated
 extraction force>0.20 N with gauge 0.99
 Clip:beryllium,nickel pated
 ELECTRICAL DATA
 Contact resistance:<3ma
 Contact current:1.5A
 Test voltage:3800V rms
 Working voltage:2800V rms
 MECHANICAL DATA:> 100
 TEMPERATURE RANGE:-55°C to +125°C
 PACKAGING:per 100 pieces



PART NUMBER 86382000LF

IND	DESIGNATION
C	ADD CHARACTERISTICS AND SHOW INNER CONTACT

Copyright FCJ

European Views

www.fciconnect.com				surface ISO 1302	tolerance std ISO 406 ISO 1101	projection mm	TOLERANCES UNLESS OTHERWISE SPECIFIED				
Dr	M. PESSON	2006/03/11	ANGULAR	0.X	±0.1	size	A3	Scale	10		
Eng	M. PESSON	2006/03/11	LINEAR	0.XX	±0.1	ECN	LS07-0287				
Chr	LEGARRE	2006/03/11	0.XX' ±2'	0.XXX	±0.1	Product family	D-SUB	Spec ref	-		
Appr	LEGARRE	2006/03/11									
rev	ecn no	dr	date								
A	LS06-0022	MPE	2006/03/11								
B	LS06-0095	LGO	2006/07/19								
C	LS07-0287	MPE	2007/11/09								
-	-	-	-								
-	-	-	-								
-	-	-	-								
-	-	-	-								
FCJ				title HIGH VOLTAGE CONTACT MALE			dwg no	C01-8638-0359		Rev.	C
				catalog no	-			CUSTOMER	sheet 1 of 1		

REV F - 2006-04-17

Mouser Electronics

Authorized Distributor

Click to View Pricing, Inventory, Delivery & Lifecycle Information:

[FCI / Amphenol:](#)

[86382000LF](#)