

PV5 SERIES ANTI-VANDAL SWITCH

ANTI-VANDAL SWITCHES
 DETECTOR SWITCHES
 DIP SWITCHES
 KEYLOCK SWITCHES
 NAVIGATION SWITCHES
 PUSHBUTTON SWITCHES
 ROCKER SWITCHES
 ROTARY SWITCHES
 SLIDE SWITCHES
 SNAP ACTION SWITCHES
 TACTILE SWITCHES
 TOGGLE SWITCHES
 CAP OPTIONS



APPLICATIONS / MARKETS



RoHS

SPECIFICATIONS

Electrical Rating: 2A, 36VDC
Mechanical Life: 1,000,000 Cycles
Electrical Life: 200,000 Cycles
Contact Resistance: 50mΩ Max.
Insulation Resistance: 1000 MΩ Min.
Dielectric Strength: 2,000VAC
Operating/Storage Temperature: -25°C to 55°C
Travel: 2.50mm
Moisture Protection: IP65
Contact Arrangement: SPST Off-(On)
Actuation Force: 5 N
Panel Thickness: 1-5mm
Mounting Nut Torque: 0.3Nm

FEATURES & BENEFITS

- Multiple actuator finish options
- Solder or screw termination options
- Raised or domed actuator options
- IP65 rated

PART NUMBER CONFIGURATOR

Series	Actuator Options	Terminal Options	Function Options	Rating Options	Body Finish Options	Actuator Finish Options	Contact Material Options
<input type="text" value="PV5"/>	<input type="text" value="H - Raised
S - Domed"/>	<input type="text" value="2 - Solder
6 - Screw"/>	<input type="text" value="4 - 1 Pole
Off - (On)*"/>	<input type="text" value="0 - 2A, 36VDC"/>	<input type="text" value="N - Nickel
S - Polished Stainless
1 - Black Anodized"/>	<input type="text" value="1 - Black
2 - White
6 - Yellow
7 - Blue
8 - Green
9 - Red
N - Nickel
S - Polished Stainless"/>	<input type="text" value="NONE - Silver
G - Gold"/>

NOTES:
 *(ON) Denotes function is momentary

Specifications subject to change without notice



E-SWITCH®

www.e-switch.com

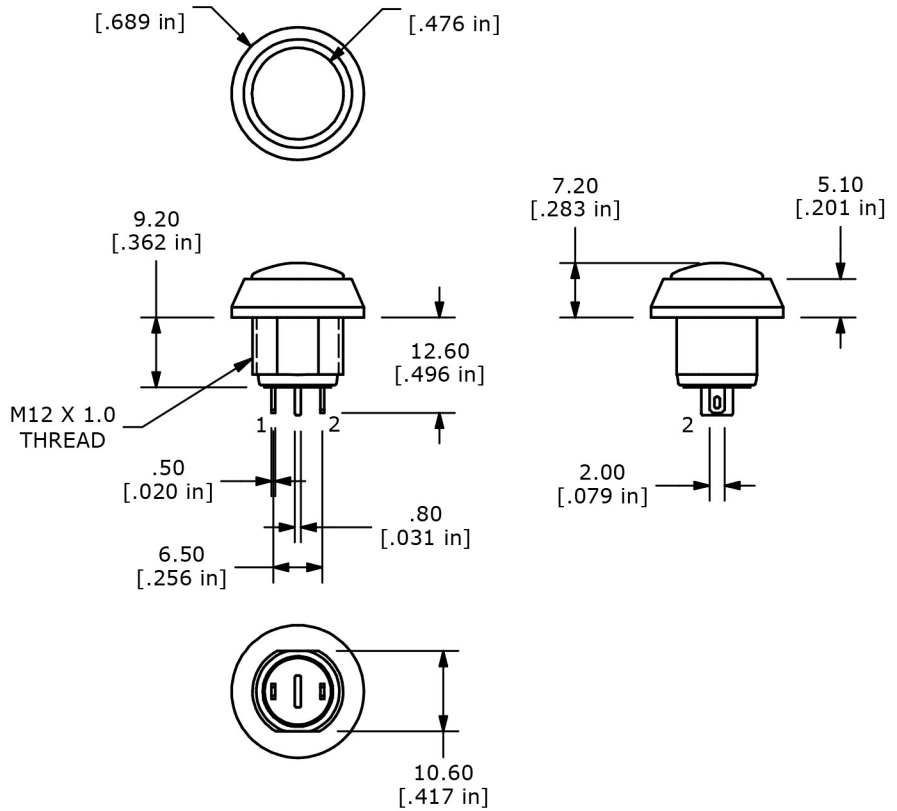
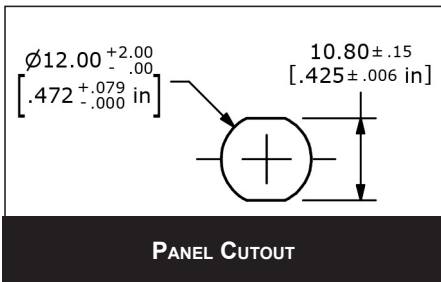
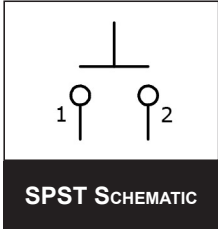
800.867.2717

1

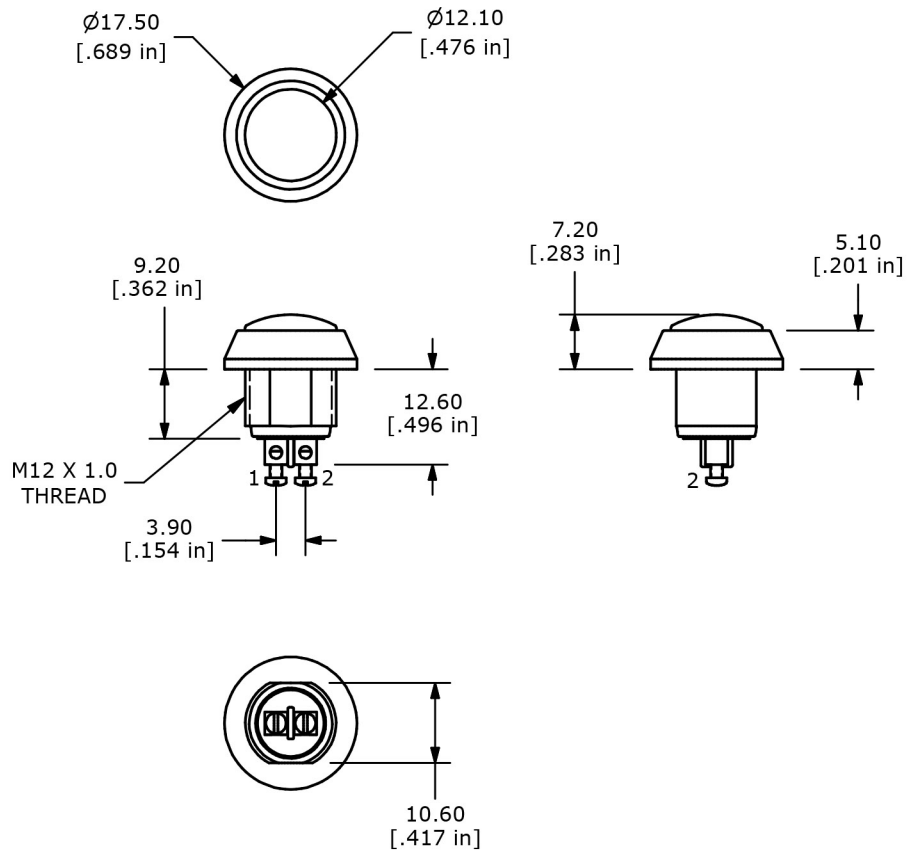
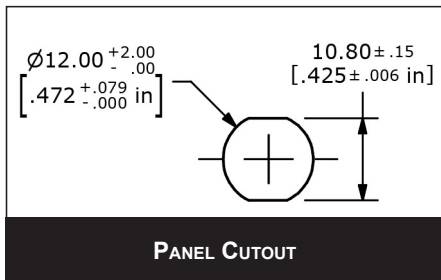
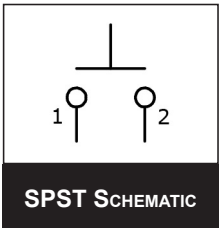
PV5 SERIES ANTI-VANDAL SWITCH

BODY DIMENSIONS - FLATS

SOLDER TERMINATION



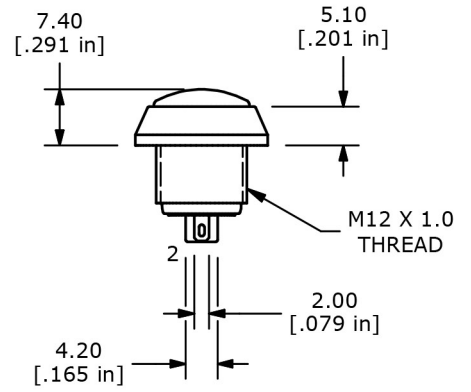
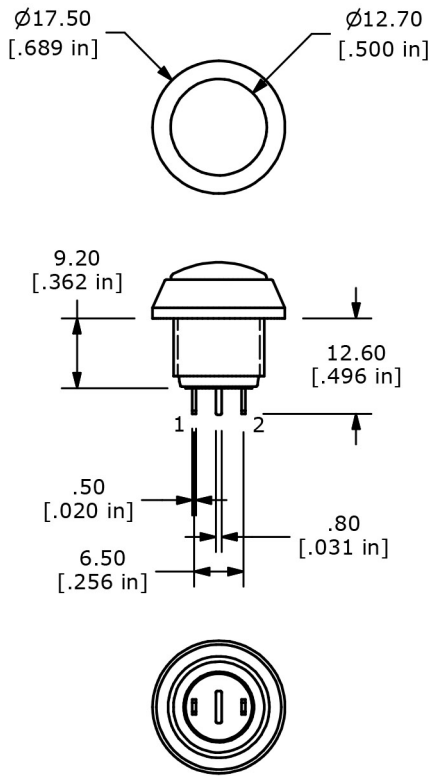
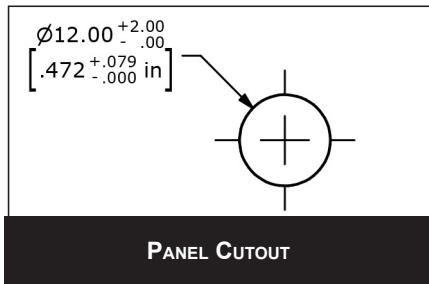
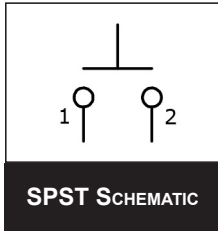
SCREW TERMINATION



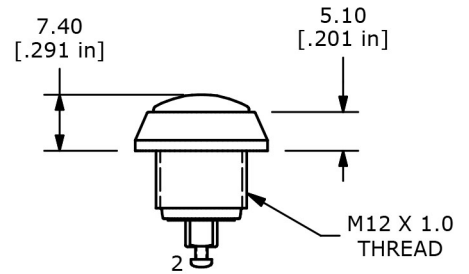
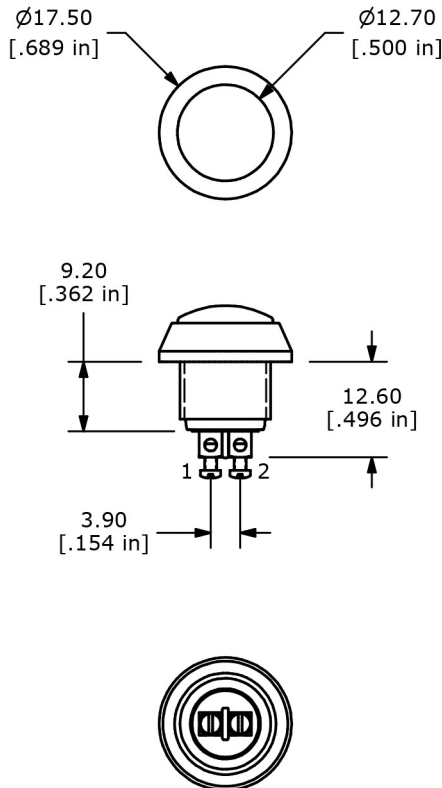
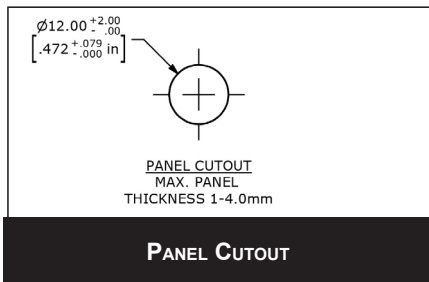
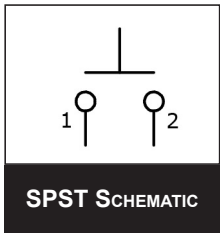
PV5 SERIES ANTI-VANDAL SWITCH

BODY DIMENSIONS - NICKEL, BLACK ANODIZED OR STAINLESS

SOLDER TERMINATION



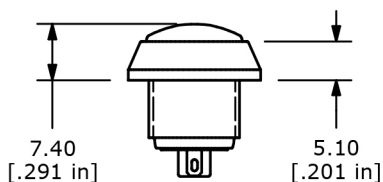
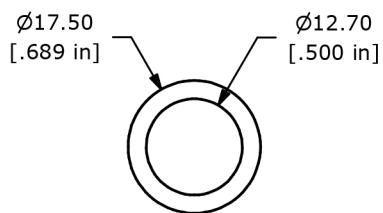
SCREW TERMINATION



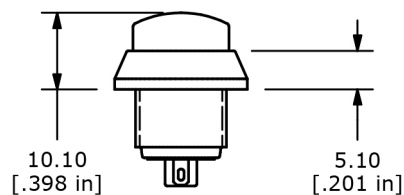
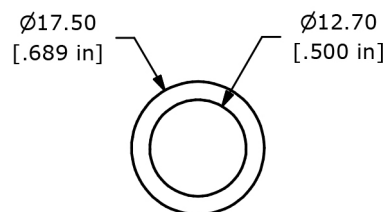
PV5 SERIES ANTI-VANDAL SWITCH

ACTUATOR OPTIONS

NICKEL OR STAINLESS

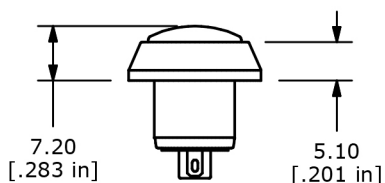
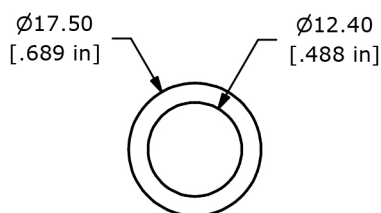


DOMED ACTUATOR

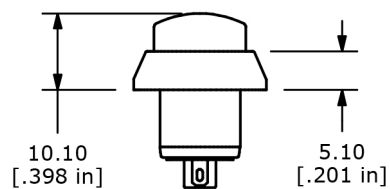
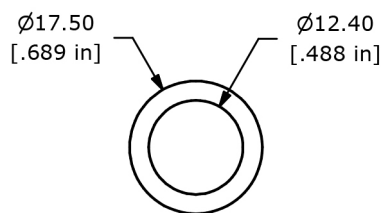


RAISED ACTUATOR

BLACK, WHITE, YELLOW, BLUE, GREEN OR RED



DOMED ACTUATOR



RAISED ACTUATOR



Mouser Electronics

Authorized Distributor

Click to View Pricing, Inventory, Delivery & Lifecycle Information:

E-Switch:

[PV5S64011](#) [PV5S64017](#) [PV5S64012](#) [PV5S64016](#) [PV5S640SS](#) [PV5S64012G](#) [PV5S64018](#) [PV5S64019](#)
[PV5S64019G](#) [PV5S640NN](#) [PV5S24017](#) [PV5S24018](#) [PV5S24019](#) [PV5S24016](#) [PV5S24011G](#) [PV5S24011](#)