

THIS DRAWING IS UNPUBLISHED.

RELEASED FOR PUBLICATION

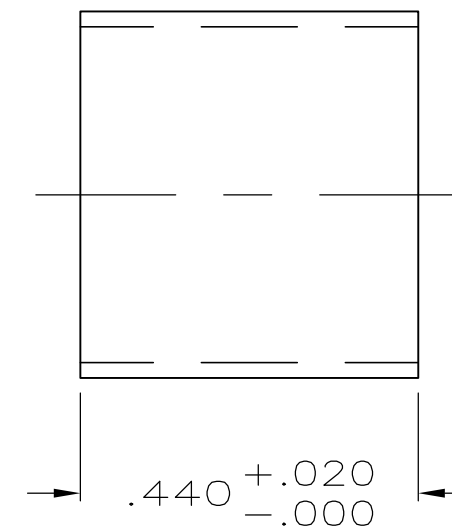
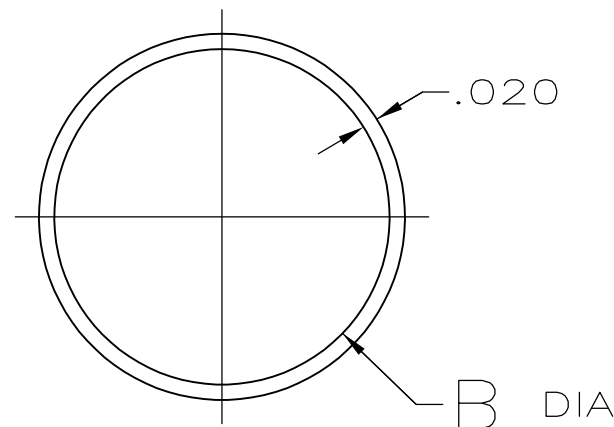
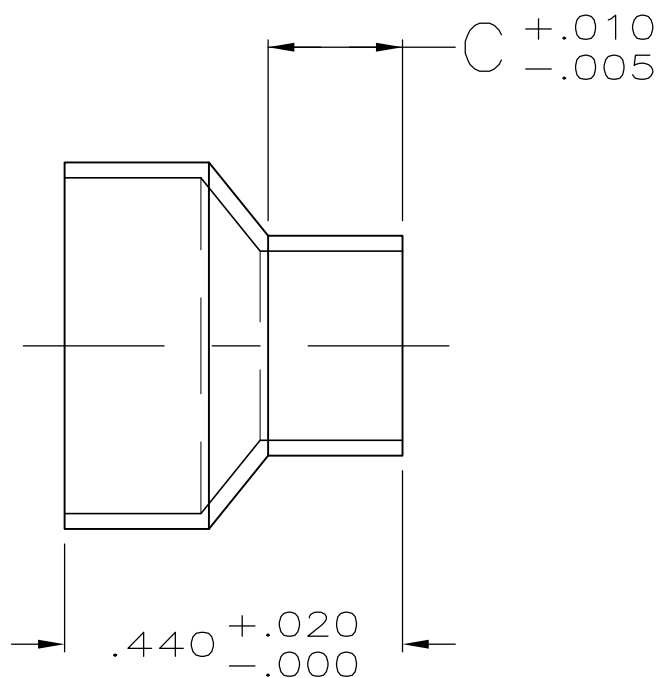
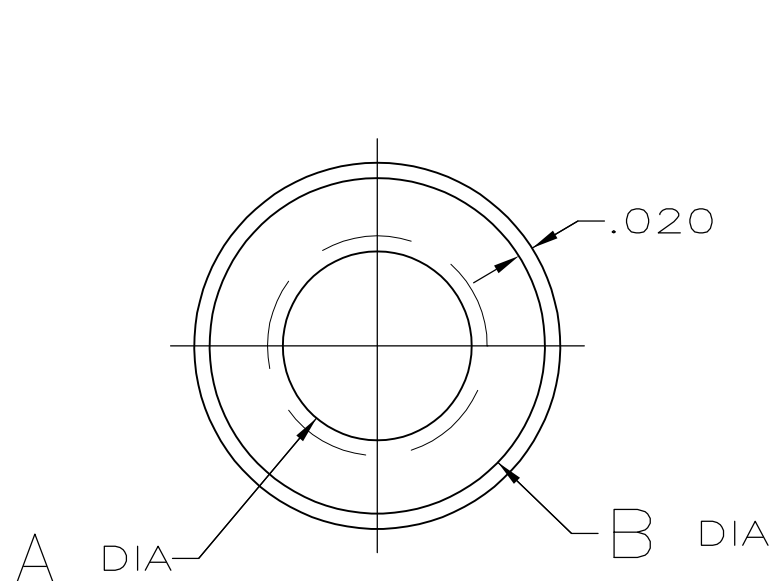
ALL RIGHTS RESERVED.

© COPYRIGHT - By -

LOC GP DIST 00

REVISIONS

P	LTR	DESCRIPTION	DATE	DWN	APVD
	K3	REVISED PER ECO-11-004835	11MAR11	RK	HMR



STYLE I (STEPPED)

STYLE II (STRAIGHT)

	2	I I	.460-.400	-	.460	-	3-747579-6
	2	I	.375-.324	.175	.437	.375	3-747579-4
	2	I	.324-.246	.175	.437	.324	3-747579-2
	2	I	.246-.165	.175	.437	.246	3-747579-0
	2	I I	.437-.375	-	.437	-	2-747579-7
OBSOLETE	1	I I	.460-.400	-	.460	-	1-747579-4
OBSOLETE	1	I I	.437-.375	-	.437	-	1-747579-2
OBSOLETE	1	I	.375-.324	.175	.437	.375	1-747579-1
OBSOLETE	1	I	.324-.246	.175	.437	.324	1-747579-0
OBSOLETE	1	I	.246-.165	.175	.437	.246	747579-8
FINISH	STYLE	INSULATION RANGE DIAMETER, REF	C	B	A	PART NUMBER	

1 .000200 MIN BRIGHT TIN-LEAD OVER .000100 MIN COPPER.

2 .000200 MIN BRIGHT TIN OVER .000100 MIN COPPER.

THIS DRAWING IS A CONTROLLED DOCUMENT.

DIMENSIONS: INCHES	TOLERANCES UNLESS OTHERWISE SPECIFIED:
	0 PLC ± -
	1 PLC ± -
	2 PLC ± -
	3 PLC ± .005
	4 PLC ± -
	ANGLES ± -
MATERIAL: STEEL, ANNEALED	FINISH: SEE TABLE

DWN B. MCMASTER	21MAY04
CHK J. GERACE	21MAY04
APVD M. WALMSLEY	21MAY04
PRODUCT SPEC	
APPLICATION SPEC	
WEIGHT	-
CUSTOMER DRAWING	

<b>STE</b> TE Connectivity			
NAME: FERRULE, OUTER, SIZES 1 THRU 3, SHIELDING HARDWARE, AMPLIMITE®			
SIZE: A3	CAGE CODE: 00779	DRAWING NO: C-747579	RESTRICTED TO: -
SCALE: 4:1		SHEET: 1 OF 1	REV: K3

# Mouser Electronics

Authorized Distributor

Click to View Pricing, Inventory, Delivery & Lifecycle Information:

[TE Connectivity:](#)

[3-747579-0](#)