

REVISIONS

| P | LTR | DESCRIPTION               | DATE      | DWN | APVD |
|---|-----|---------------------------|-----------|-----|------|
|   | B2  | REVISED PER ECO-11-005150 | 29MAR2011 | RK  | HMR  |
|   | W   | ECR-16-003733             | 12MAR2016 | KR  | TN   |
|   |     |                           |           |     |      |

LASER MARKING: TE LOGO PN VALUE TOLERANCE & DATE CODE

M6 ST/STEEL TERMINAL STUDS. EACH SUPPLIED WITH:- 2 OFF M6 ST/STEEL FULL NUTS 2 OFF M6/STEEL PLAN WASHERS

5.6 MIN

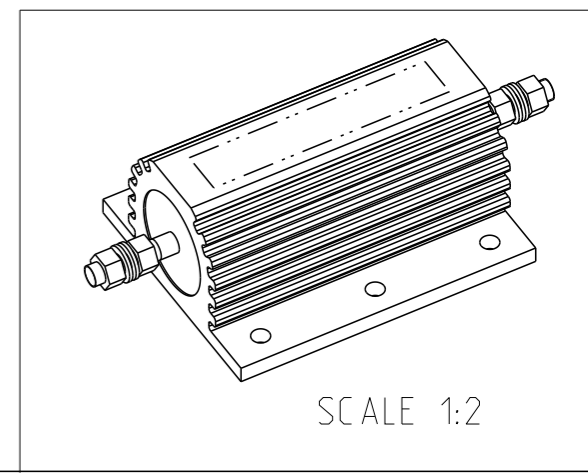
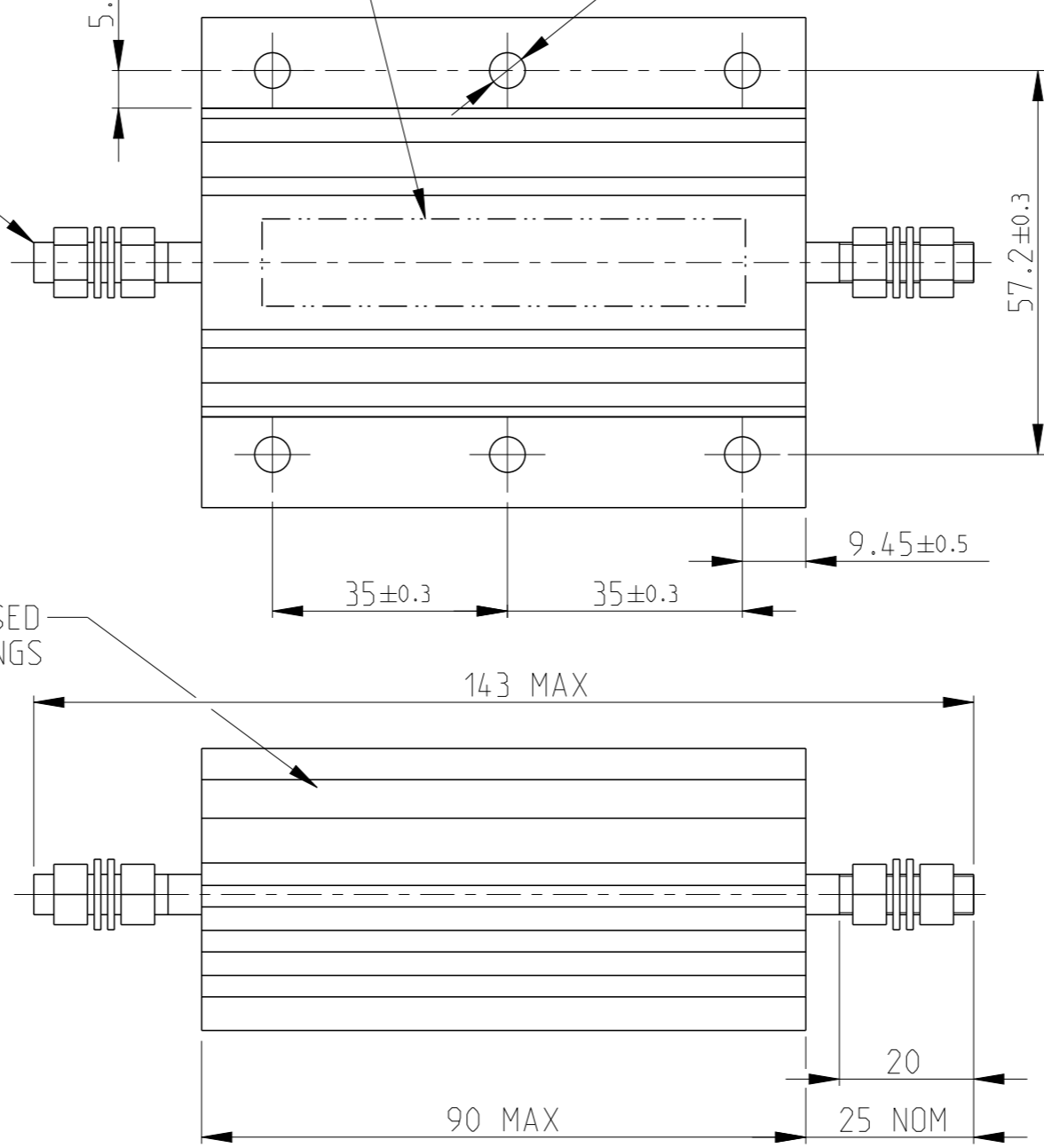
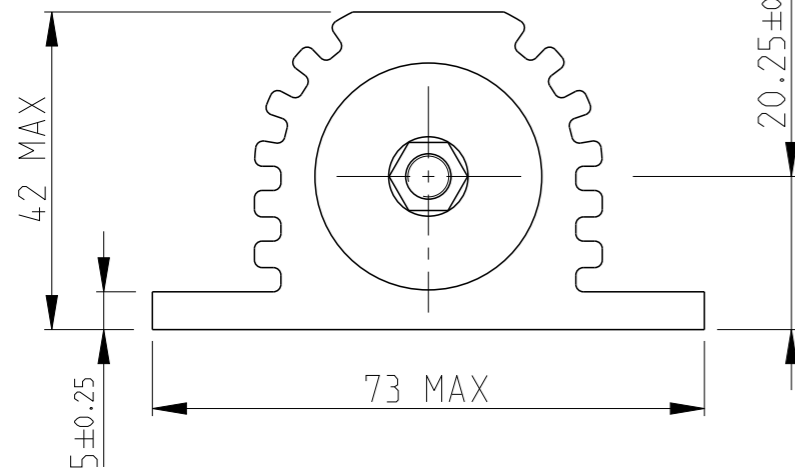
6 HOLES Ø5.3


- 1 FOR FURTHER INFORMATION SEE DATA SHEET FOR HS SERIES-ALUMINIUM HOUSED RESISTORS
- 2 FOR A SPECIFIC PN FOR A RESISTANCE VALUE AND TOLERANCE, PLEASE REFER TO DMF

GOLD ANODISED ALUMINIUM HOUSINGS

HSC200 ALUMINIUM HOUSED POWER RESISTOR

RoHS Compliant



|  |  |                                  |   |                    |
|--|--|----------------------------------|---|--------------------|
| THIS DRAWING IS A CONTROLLED DOCUMENT. |  | DWN<br>L LUONG<br>10.MAR.03      |  TE Connectivity |                    |
| DIMENSIONS:<br>mm                      |  | CHK<br>J CATCHPOLE<br>10.MAR.03  |   |                    |
| TOLERANCES UNLESS OTHERWISE SPECIFIED: |  | APVD<br>J CATCHPOLE<br>10.MAR.03 | NAME<br>HSC200 ALUMINIUM HOUSED POWER RESISTOR  |                    |
| 0 PLC ±0.5                             |  | PRODUCT SPEC                     | -   |                    |
| 1 PLC ±0.2                             |  | APPLICATION SPEC                 | -   |                    |
| 2 PLC ±0.1                             |  | WEIGHT                           | -   |                    |
| 3 PLC ±                                |  | CUSTOMER DRAWING                 | SIZE<br>A3  | CAGE CODE<br>00779 |
| 4 PLC ±                                |  |                                  | DRAWING NO<br>C-1630019   | RESTRICTED TO<br>- |
| ANGLES ±                               |  |                                  | SCALE<br>1:1  | SHEET<br>1 OF 1    |
| FINISH                                 |  |                                  | REV<br>W  |                    |
| MATERIAL<br>material_2                 |  |                                  |   |                    |
| FINISH<br>finish_spec_2                |  |                                  |   |                    |

# Mouser Electronics

Authorized Distributor

Click to View Pricing, Inventory, Delivery & Lifecycle Information:

[TE Connectivity:](#)

[HSC2001K0J](#)