

THIS DRAWING IS UNPUBLISHED.

RELEASED FOR PUBLICATION

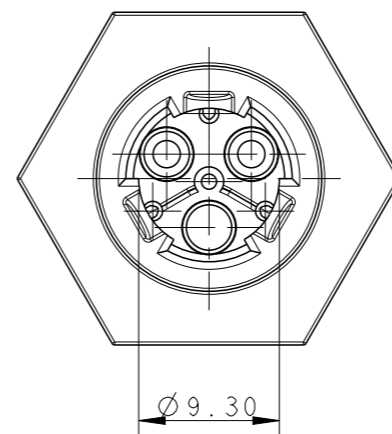
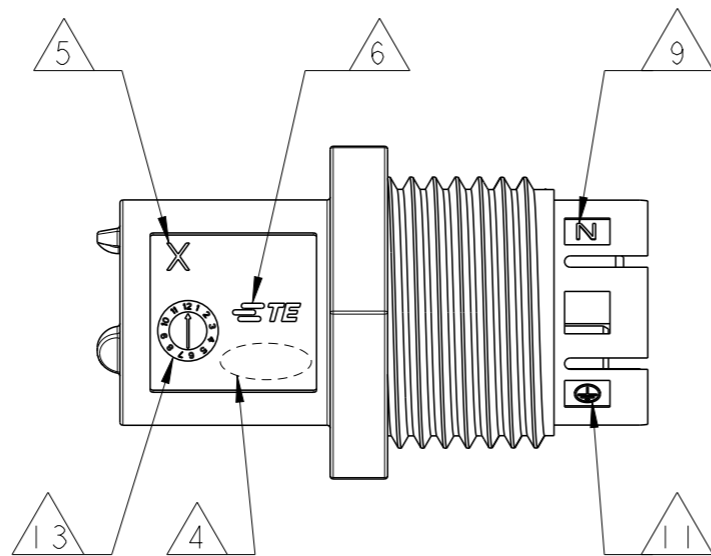
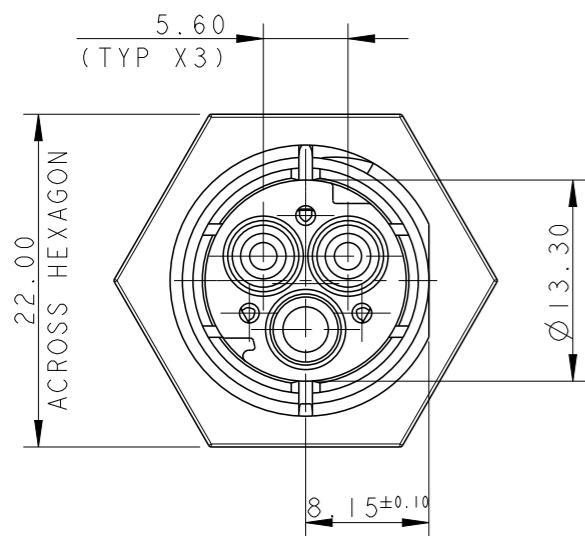
2011

© COPYRIGHT 2011 BY -

ALL RIGHTS RESERVED.

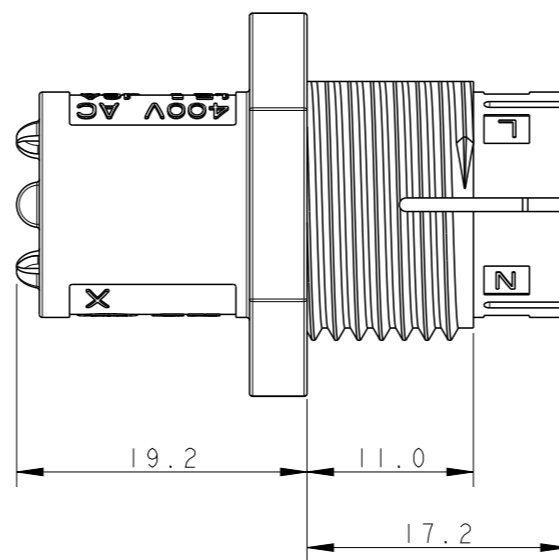
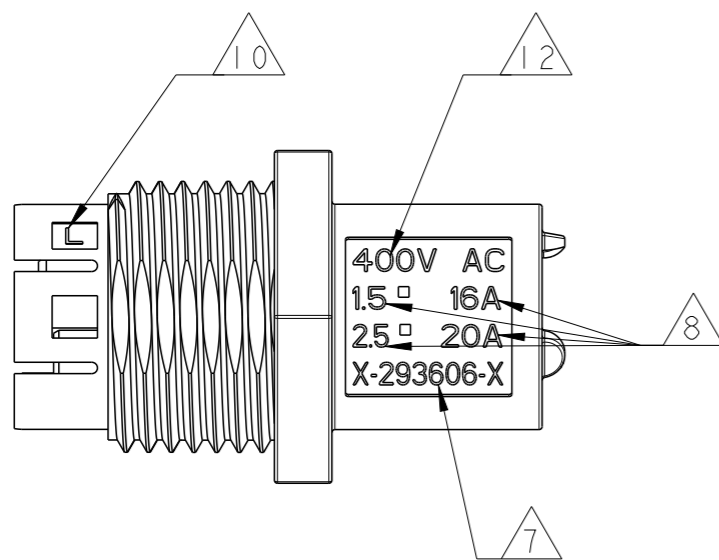
LOC	DIST
1	-

REVISIONS					
P	LTR	DESCRIPTION	DATE	DWN	APVD
B1		REVISED MARKINGS	06NOV2012	MZ	JC
B2		PARTS -2, -3, 1-2, 1-3	26JUN2013	KR	JC
B3		ECR-15-010109	21JUL2015	RS	PO
C		REVISED PART NUMBERS AND ALIGNED REVISIONS	17JUL2017	SK	MZ

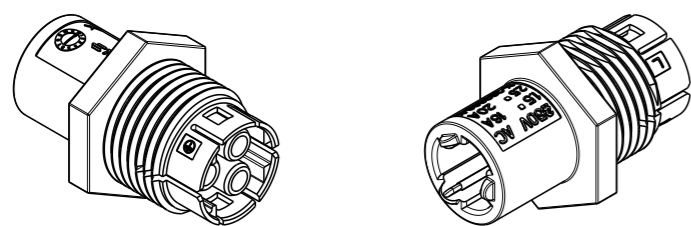


NOTES:

- 1 MATERIAL: POLYAMIDE GLASS FILLED COLOUR NATURAL
- 2 MATERIAL: POLYAMIDE GLASS FILLED COLOUR BLACK
- 3) PACKAGING: SEE TE PACKAGING SPEC. 107-20294
- 4 AREA FOR AGENCY APPROVAL LOGO
- 5 CAVITY MOULD I.D. & MANUFACTURING LOCATION CODE
- 6 TE LOGO
- 7 TE PART NUMBER
- 8 CONDUCTOR SIZE AND CURRENT RATING
- 9 N CODE
- 10 L CODE
- 11 PE CODE
- 12 RATED VOLTAGE
- 13 DATE CODE



3D VIEWS, FOR REFERENCE ONLY



SCALE 1:1

THIS DRAWING IS A CONTROLLED DOCUMENT.

DIMENSIONS:	TOLERANCES UNLESS OTHERWISE SPECIFIED:
mm	
	0 PLC ±-
	1 PLC ±0.3
	2 PLC ±0.20
	3 PLC ±-
	4 PLC ±-
	ANGLES ±3°
	FINISH -

MATERIAL SEE NOTES

DWN	M. ZUCCA	06SEP2010
CHK	M. ZUCCA	06SEP2010
APVD	G. TURCO	06SEP2010
PRODUCT SPEC	108-20304	
APPLICATION SPEC	114-20152	
WEIGHT	~5.9 g	

TE Connectivity		NAME	
		SOCKET HOUSING PANEL MOUNT VERSION NECTOR* M-LINE	
SIZE	CAGE CODE	DRAWING NO	RESTRICTED TO
A3	00779	C-293606	-

THIS DRAWING IS UNPUBLISHED.

RELEASED FOR PUBLICATION

2011

© COPYRIGHT 2011 BY -

ALL RIGHTS RESERVED.

LOC	DIST	REVISIONS					
		P	LTR	DESCRIPTION	DATE	DWN	APVD
1	-	-	-	SEE SHEET 1	-	-	-

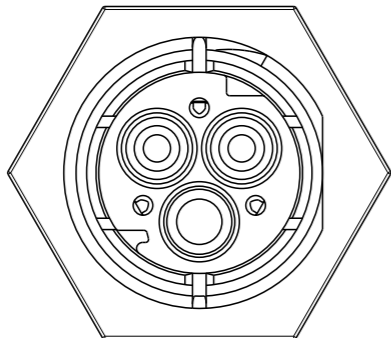
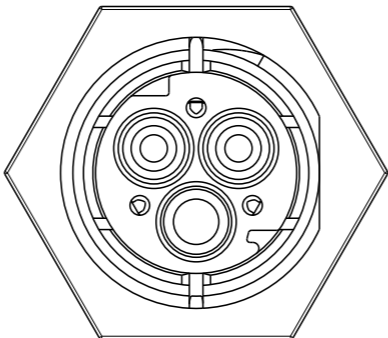
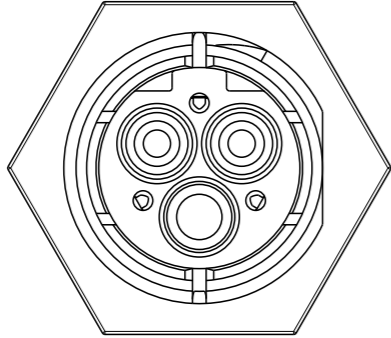
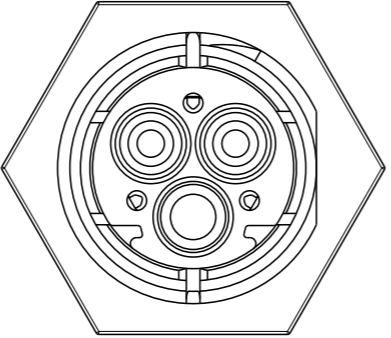








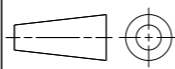

POLARIZATION TYPES	
TYPE "A"	TYPE "B"
	
P/Ns: 0-293606-1, 1-293606-1	P/Ns: 0-293606-2, 1-293606-2
TYPE "C"	TYPE "D"
	
P/Ns: 0-293606-3, 1-293606-3	P/Ns: 0-293606-4, 1-293606-4,

TABLE I					
	D	BLACK	SOCKET HOUSING PANEL MOUNT VERS. NECTOR* M-LINE	A	1-293606-4
	C	BLACK	SOCKET HOUSING PANEL MOUNT VERS. NECTOR* M-LINE	C	1-293606-3
	B	BLACK	SOCKET HOUSING PANEL MOUNT VERS. NECTOR* M-LINE	C	1-293606-2
	A	BLACK	SOCKET HOUSING PANEL MOUNT VERS. NECTOR* M-LINE	C	1-293606-1
	D	NATURAL	SOCKET HOUSING PANEL MOUNT VERS. NECTOR* M-LINE	A	0-293606-4
	C	NATURAL	SOCKET HOUSING PANEL MOUNT VERS. NECTOR* M-LINE	C	0-293606-3
	B	NATURAL	SOCKET HOUSING PANEL MOUNT VERS. NECTOR* M-LINE	C	0-293606-2
	A	NATURAL	SOCKET HOUSING PANEL MOUNT VERS. NECTOR* M-LINE	C	0-293606-1
MATERIAL	POL. KEYING	COLOUR	DESCRIPTION	REV.	PART NUMBER

THIS DRAWING IS A CONTROLLED DOCUMENT.		DWN M. ZUCCA 06SEP2010	 TE Connectivity		
DIMENSIONS: mm		CHK M. ZUCCA 06SEP2010			
TOLERANCES UNLESS OTHERWISE SPECIFIED:		APVD G. TURCO 06SEP2010	NAME SOCKET HOUSING PANEL MOUNT VERSION NECTOR* M-LINE		
		PRODUCT SPEC 108-20304	SIZE A300779		
		APPLICATION SPEC 114-20152	DRAWING NO C-293606		
MATERIAL SEE NOTES		WEIGHT ~5.9 g	RESTRICTED TO -		
		Customer Drawing	SCALE 2:1	SHEET 2 OF 4	REV C

THIS DRAWING IS UNPUBLISHED.

RELEASED FOR PUBLICATION

2011

© COPYRIGHT 2011 BY -

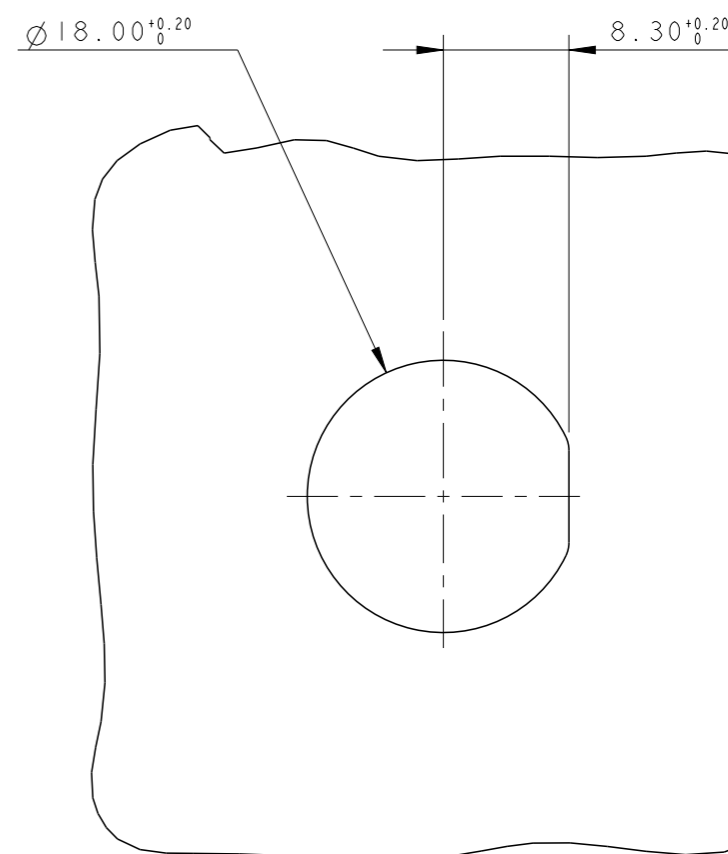
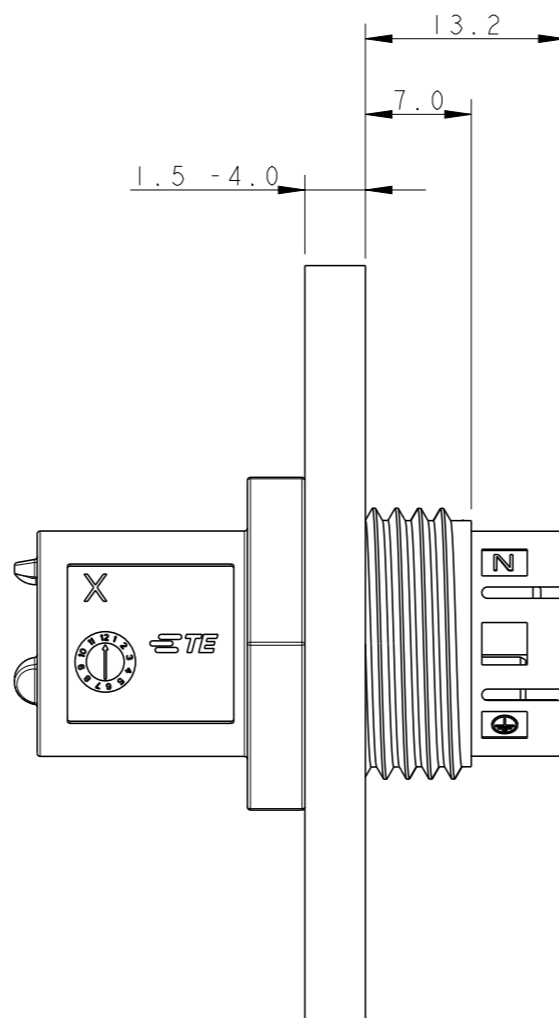
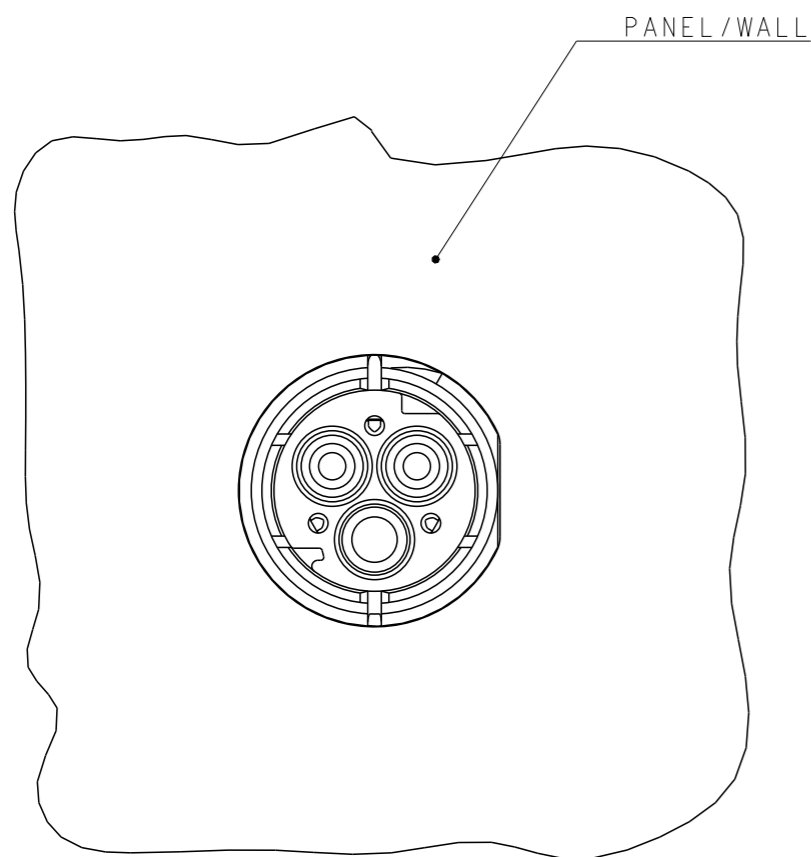
ALL RIGHTS RESERVED.

LOC 1
DIST -

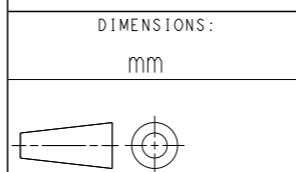
REVISIONS

P	LTR	DESCRIPTION	DATE	DWN	APVD
-	-	SEE SHEET 1	-	-	-

PANEL / WALL
SUGGESTED CUT OUT




THIS DRAWING IS A CONTROLLED DOCUMENT.



MATERIAL SEE NOTES

DIMENSIONS:		TOLERANCES UNLESS OTHERWISE SPECIFIED:	
mm			
0 PLC	±		
1 PLC	±0.3		
2 PLC	±0.20		
3 PLC	±		
4 PLC	±		
ANGLES	±3°		
FINISH	-		

DWN	M. ZUCCA	06SEP2010
CHK	M. ZUCCA	06SEP2010
APVD	G. TURCO	06SEP2010
PRODUCT SPEC	108-20304	
APPLICATION SPEC	114-20152	
WEIGHT	~5.9 g	

 TE Connectivity		NAME		RESTRICTED TO
		SOCKET HOUSING PANEL MOUNT VERSION NECTOR* M-LINE		
SIZE	CAGE CODE	DRAWING NO		
A3	00779	C-293606		

Customer Drawing	SCALE 2:1	SHEET 3 OF 4	REV C
------------------	-----------	--------------	-------

THIS DRAWING IS UNPUBLISHED.

RELEASED FOR PUBLICATION

2011

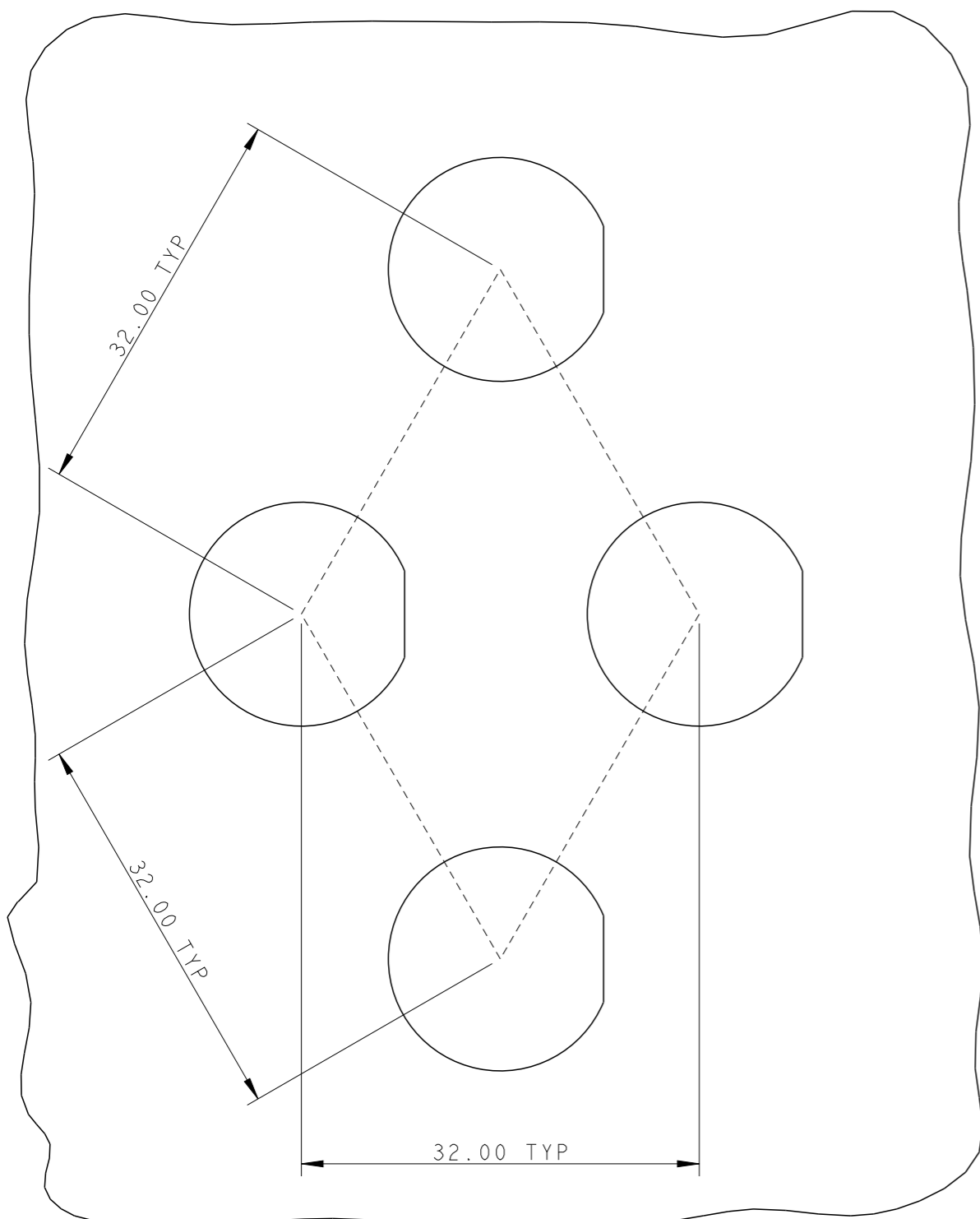
© COPYRIGHT 2011 BY -

ALL RIGHTS RESERVED.

LOC	DIST	REVISIONS			
P	LTR	DESCRIPTION	DATE	DWN	APVD
	-	SEE SHEET 1	-	-	-

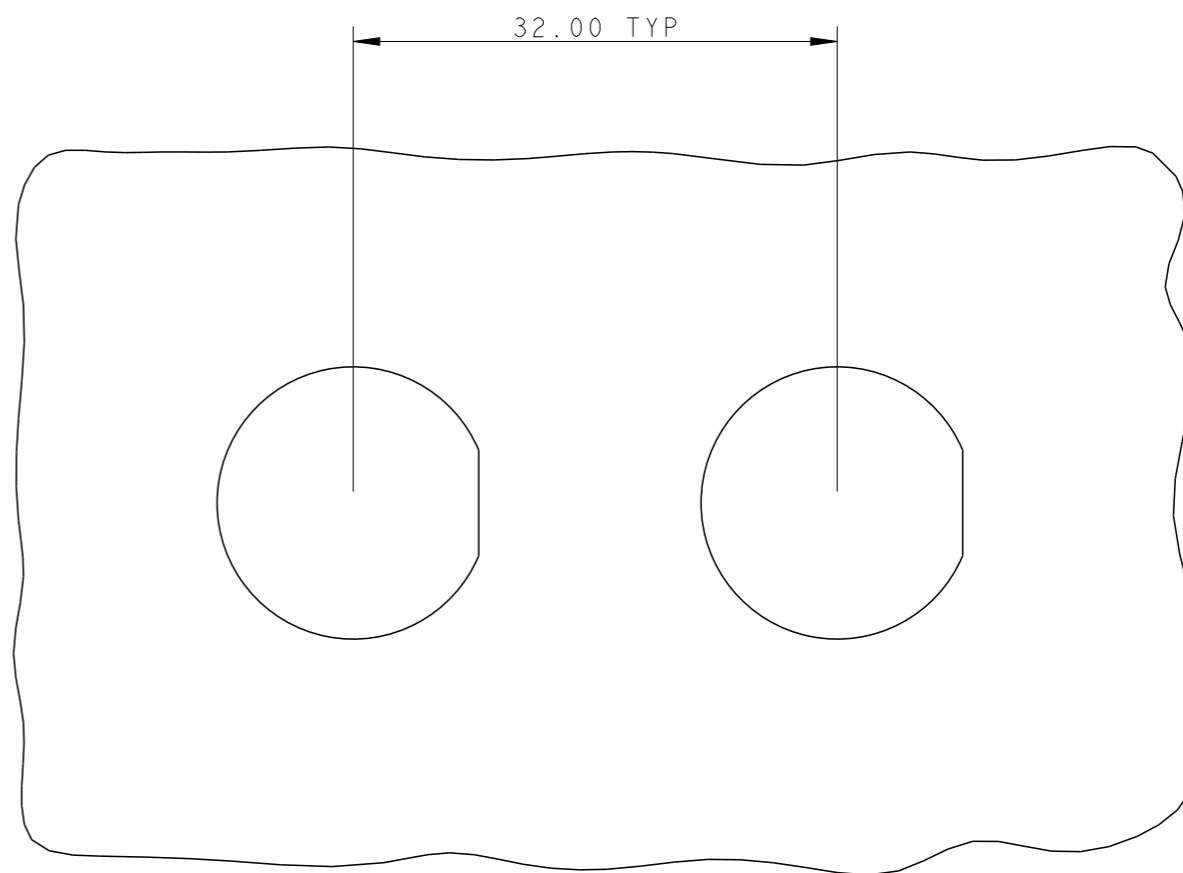
PANEL / WALL
SUGGESTED CUT OUT FOR
MULTIPLE HOLES ON MULTIPLE ROWS


(PITCH CAN BE ADJUSTED TO CUSTOMER
 NEED BUT IN ANY CASE MUST NOT BE LESS
 THAN 30.00 mm)



PANEL / WALL
SUGGESTED CUT OUT FOR
MULTIPLE HOLES ON SINGLE ROW

(PITCH CAN BE ADJUSTED TO CUSTOMER
 NEED BUT IN ANY CASE MUST NOT BE LESS
 THAN 30.00 mm)



THIS DRAWING IS A CONTROLLED DOCUMENT.		DWN M. ZUCCA	06SEP2010	 TE Connectivity	NAME SOCKET HOUSING PANEL MOUNT VERSION NECTOR* M-LINE	RESTRICTED TO -
DIMENSIONS: mm		CHK M. ZUCCA	06SEP2010			
TOLERANCES UNLESS OTHERWISE SPECIFIED:		APVD G. TURCO	06SEP2010			
0 PLC ± 1 PLC ±0.3 2 PLC ±0.20 3 PLC ± 4 PLC ± ANGLES ±3°		PRODUCT SPEC 108-20304	APPLICATION SPEC 114-20152			
MATERIAL SEE NOTES		FINISH	-	SIZE A3	CAGE CODE 00779	DRAWING NO C-293606
Customer Drawing				SCALE 2:1	SHEET 4	OF 4
				REV C		