



Moisture Sensitivity Level (MSL) – This product is Hermetically Sealed and not Moisture Sensitive - MSL = N/A: Not Applicable

FEATURES:

- 3.2 x 2.5 x 0.9mm miniature package
- Low current consumption 1.5mA for 19.68MHz
- Vc function corresponds to PLL circuits
- Suitable for RoHS reflow profile

APPLICATIONS:

- Cellular and cordless phones
- Standard OSC for exact equipment
- Mobile communication equipment
- Portable radio equipment and music player.
- PLL

STANDARD SPECIFICATIONS:

Parameters	Minimum	Typical	Maximum	Units	Notes
Frequency Range	10		40	MHz	
Standard Frequencies:	10, 13, 14.4, 16.3676, 19.2, 19.8, 20, 24.5535, 26, 33.6, 38.4, 39, 40			MHz	
Operating Temperature:	-30		+75	°C	
Storage Temperature:	-40		+85	°C	
Frequency Stability $\Delta f/f_0$ vs					
Tolerance (@+25°C) at shipping:	-0.5		+0.5	ppm	
Tolerance (@+25°C) after reflow:	-1.5		+1.5	ppm	
Temperature (ref. to +25°C):	-2.5		+2.5		See option (Tabel 1)
Supply Voltage Change (Vdd±5%):	-0.2		+0.2		
Load Change (ZL±10%):	-0.2		+0.2		
Supply Voltage (Vdd):	+3.135	+3.3	+3.465	V	See option
Aging (first year @+25°C):	-1.0		+1.0	ppm	
Supply Current (Icc):			1.5	mA	~19.68MHz
			2.0	mA	~32.00MHz
			2.5	mA	~40.00MHz
Voltage Control Function (for ASVTX-11)					
Control Voltage (Vcc):	+0.5	+1.5	+2.5	Vdc	
Frequency Tuning Range:	±8			ppm	
Frequency Tuning Transition:	Positive				
Input Impedance:	500	650		kΩ	
Output					
Voltage:	0.8			Vp-p	
Load:	10kΩ/10pF				
Waveform:	Clipped Sine Wave				
Phase Noise:		-135		dBc	@1kHz



OPTIONS & PART IDENTIFICATION:

ASVTX-11 or ASTX-11 - [] - [] MHz - [] - []

Vdd (V)
Blank: 3.3V±5%
A: 3.0V±5%
B: 2.8V±5%
C: 2.5V±5%

Frequency in MHz
Please specify the frequency in MHz. e.g. 19.200MHz

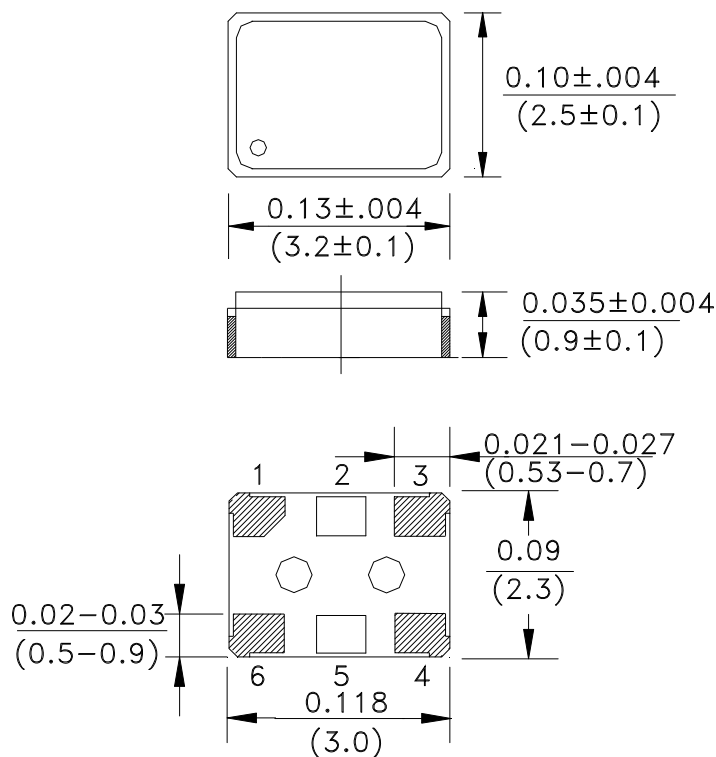
Packaging
Blank: Bulk
T: 1000pcs/reel
T3: 3000pcs/reel

Table 1: Frequency Stability vs Operating Temperature

	±1.5ppm	±2ppm	±2.5ppm	±3ppm	±4ppm	±5ppm
0°C ~ +50°C	D15	D20	D25	D30	D40	D50
-10°C ~ +60°C	E15	E20	E25	E30	E40	E50
-20°C ~ +70°C	F15	F20	F25	F30	F40	F50
-30°C ~ +70°C	G15	G20	G25	G30	G40	G50
-30°C ~ +75°C	H15	H20	Std.(Blank)	H30	H40	H50
-40°C ~ +85°C	I15	I20	I25	I30	I40	I50

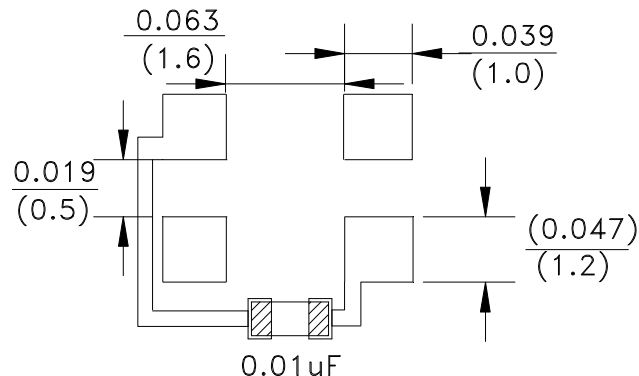
OUTLINE DRAWING:

6-pad package (Date Code prior to March 2014):



Dimensions: Inches (mm)

Recommended land pattern



Note 1: It is not recommended that paths go underneath the oscillator. If needed, please use multi-layer PCB board or resist coating.

Note 2: Recommend using an approximately 0.01µF bypass capacitor between Pin 3 and 6.

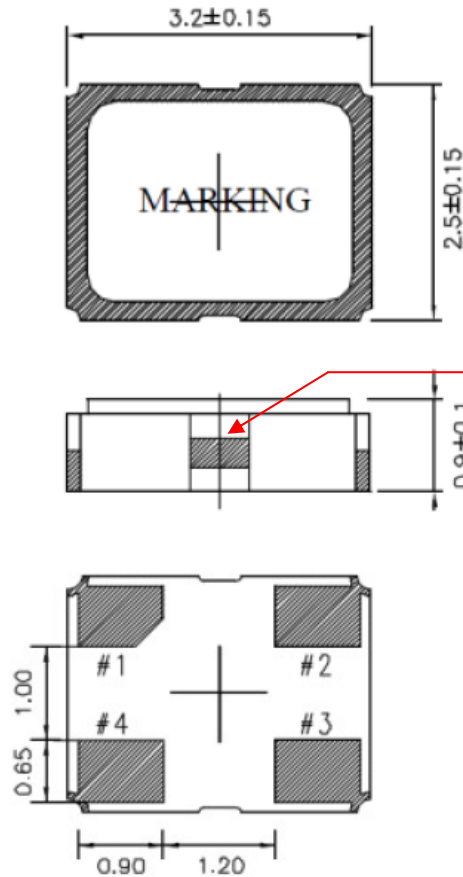
Pin	Function	
	ASVTX-11	ASTX-11
1	Vc	GND
2	N.C.	
3	GND	
4	Output	
5	N.C.	
6	Vdd	





OUTLINE DRAWING:

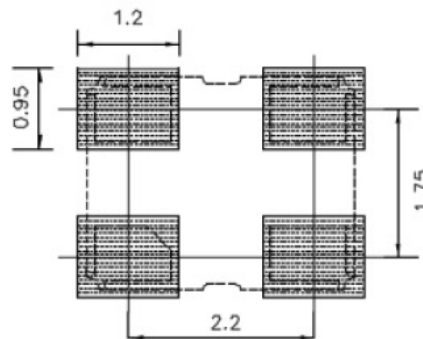
4-pad package (Date Code March 2014 and later):



Due to material availability, 1 or 2 side pads may appear on the side of the package. The variation in no way affects the electrical performance of the product.

Pin	Function	
	ASVTX-11	ASTX-11
1	Vc	GND
2	GND	
3	Output	
4	Vdd	

Recommended Land Pattern



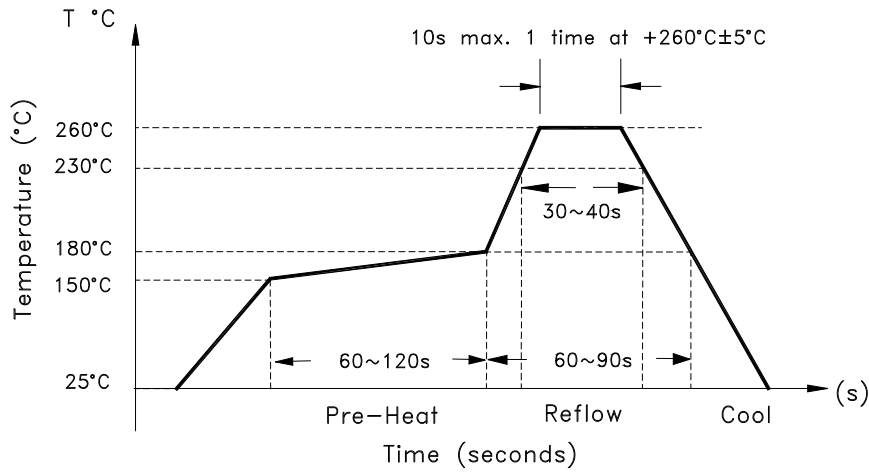
Note 1: It is not recommended that paths go underneath the oscillator. If needed, please use multi-layer PCB board or resist coating.

Note 2: Recommend using an approximately $0.01 \mu\text{F}$ bypass capacitor between Pin 2 and 4.

Dimensions: mm

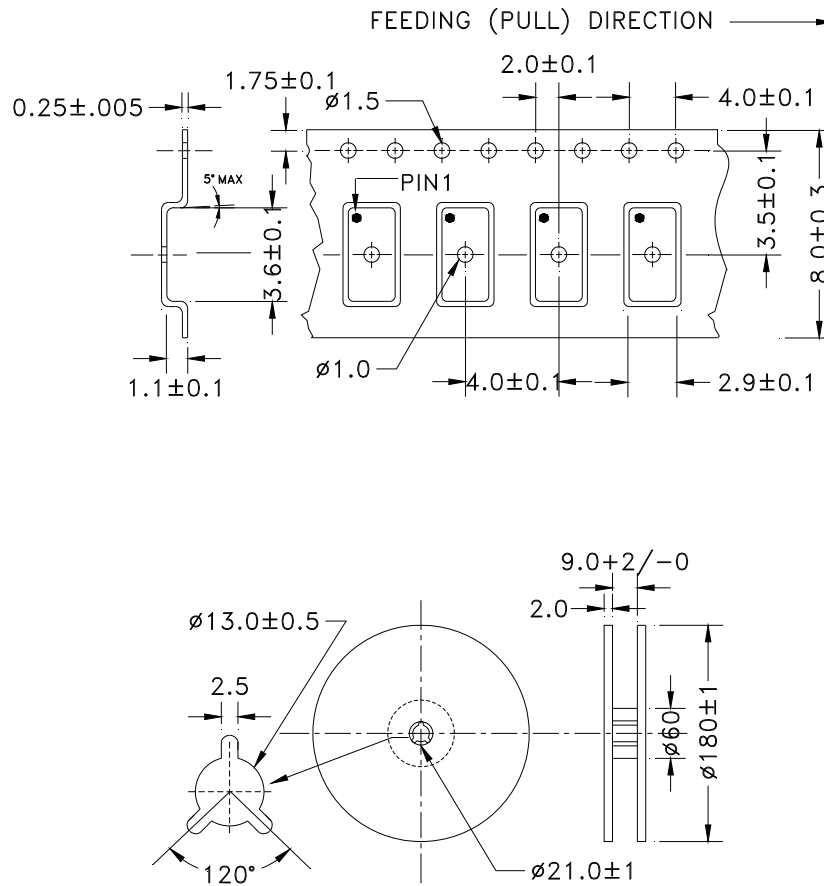


REFLOW PROFILE:



TAPE & REEL:

T: 1000pcs/reel
T3: 3000pcs/reel



Dimensions: mm

ATTENTION: Abracon Corporation's products are COTS – Commercial-Off-The-Shelf products; suitable for Commercial, Industrial and, where designated, Automotive Applications. Abracon's products are not specifically designed for Military, Aviation, Aerospace, Life-dependant Medical applications or any application requiring high reliability where component failure could result in loss of life and/or property. For applications requiring high reliability and/or presenting an extreme operating environment, written consent and authorization from Abracon Corporation is required. Please contact Abracon Corporation for more information.

Mouser Electronics

Authorized Distributor

Click to View Pricing, Inventory, Delivery & Lifecycle Information:

ABRACON:

[ASVTX11-13.000MHZ-T](#) [ASVTX11-14.400MHZ-T](#) [ASVTX11-16.357MHZ-T](#) [ASVTX11-16.368MHZ-T](#) [ASVTX11-19.200MHZ-T](#) [ASVTX11-20.000MHZ-T](#) [ASVTX11-24.576MHZ-T](#) [ASVTX11-26.000MHZ-T](#) [ASVTX11-33.600MHZ-T](#) [ASVTX11-38.400MHZ-T](#) [ASVTX-11-A-14.400MHZ-T](#) [ASVTX-11-A-16.357MHZ-T](#) [ASVTX-11-A-16.368MHZ-T](#) [ASVTX-11-A-20.000MHZ-T](#) [ASVTX-11-A-24.576MHZ-T](#) [ASVTX-11-A-26.000MHz-T](#) [ASVTX-11-A-38.400MHz-T](#) [ASVTX-11B-26.000MHz-T](#) [ASVTX-11-A-13.000MHz-T](#) [ASVTX-11B-16.000MHz-T](#) [ASVTX-11B-13.000MHz-T](#) [ASVTX-11-A-16.000MHz-T](#) [ASVTX-11B-19.200MHz-T](#) [ASVTX-11B-38.400MHz-T](#) [ASVTX-11B-33.600MHz-T](#) [ASVTX-11-A-33.600MHz-T](#) [ASVTX-11-A-19.200MHz-T](#) [ASTXR-12-26.000MHz-511741-T](#) [ASTXR-12-26.000MHz-512883](#) [ASTXR-12-19.200MHz-511890-T](#) [ASTXR-12-26.000MHz-512883-T](#) [ASTXR-12-26.000MHz-511741](#) [ASTXR-12-19.200MHz-512242](#) [ASTXR-12-19.200MHz-511890](#) [ASTXR-12-26.000MHz-511911](#) [ASTXR-12-19.200MHz-512242-T](#) [ASTXR-12-26.000MHz-511911-T](#) [ASTXR-12-26.000MHz-512545](#) [ASTXR-12-26.000MHz-512545-T](#)