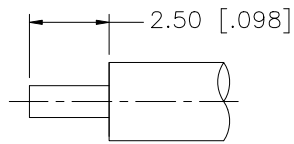
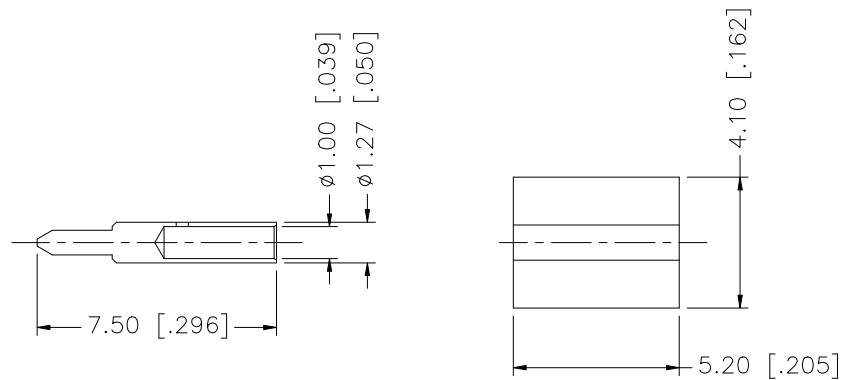
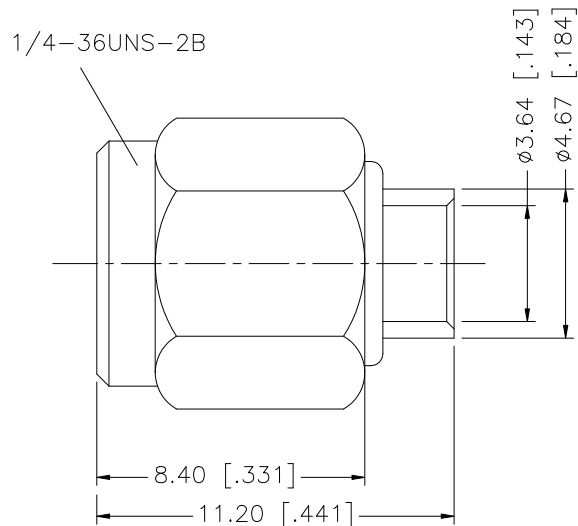


REV.	DATE	DESCRIPTION
A	06/24/96	ADD CONTACT PIN AND FERRULE
B	11/02/05	UPDATE DRAWING FORMAT
C	06/18/07	ADD COUPLING NUT TO PARTS LIST



RECOMMENDED CABLE STRIPPING DIMENSIONS



DESCRIPTION	MATERIAL	FINISH	QTY
CONTACT PIN	BRASS	GOLD	1
INSULATOR	TEFLON	NATURAL	1
BODY	PASSIVATED S.S.	S.S.	1
COUPLING NUT	PASSIVATED S.S.	S.S.	1

UNLESS OTHERWISE SPECIFIED DIMENSIONS ARE IN MILLIMETERS. DIMENSIONS IN [ ] ARE IN INCHES AND FOR CUSTOMER REFERENCE ONLY.

UNLESS OTHERWISE SPECIFIED TOLERANCES FOR MILLIMETERS ARE:  
0.5 - 8mm ± 0.20mm  
8 - 30mm ± 0.40mm  
30 - 120mm ± 0.50mm

UNLESS OTHERWISE SPECIFIED TOLERANCES FOR INCHES ARE:  
.020 - .315 = ± 0.007"  
.315 - 1.180 = ± 0.015"  
1.180 - 4.724 = ± 0.020"

DO NOT SCALE DRAWING

APPROVALS	DATE
DRAWN G.R.S.	06/18/07
CHECKED	
ISSUED	
SHEET 1 OF 1	
CAD FILE	C:/132/132200.DWG

**Amphenol Connex**

PART DESCRIPTION  
**SMA SEMI-RIGID PLUG  
PASSIVATED S.S. (FOR .141" CABLE)**

PART NO.  
**132200**

DWG. NO.	132200.DWG	REV.	C	SIZE	A	SCALE
----------	------------	------	---	------	---	-------

# Mouser Electronics

Authorized Distributor

Click to View Pricing, Inventory, Delivery & Lifecycle Information:

[Amphenol:](#)

[132200](#)