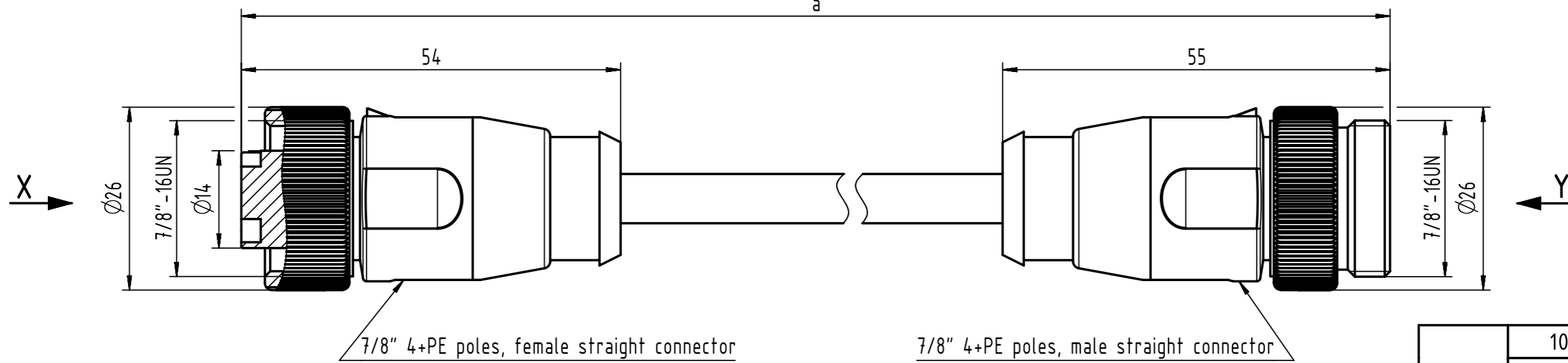
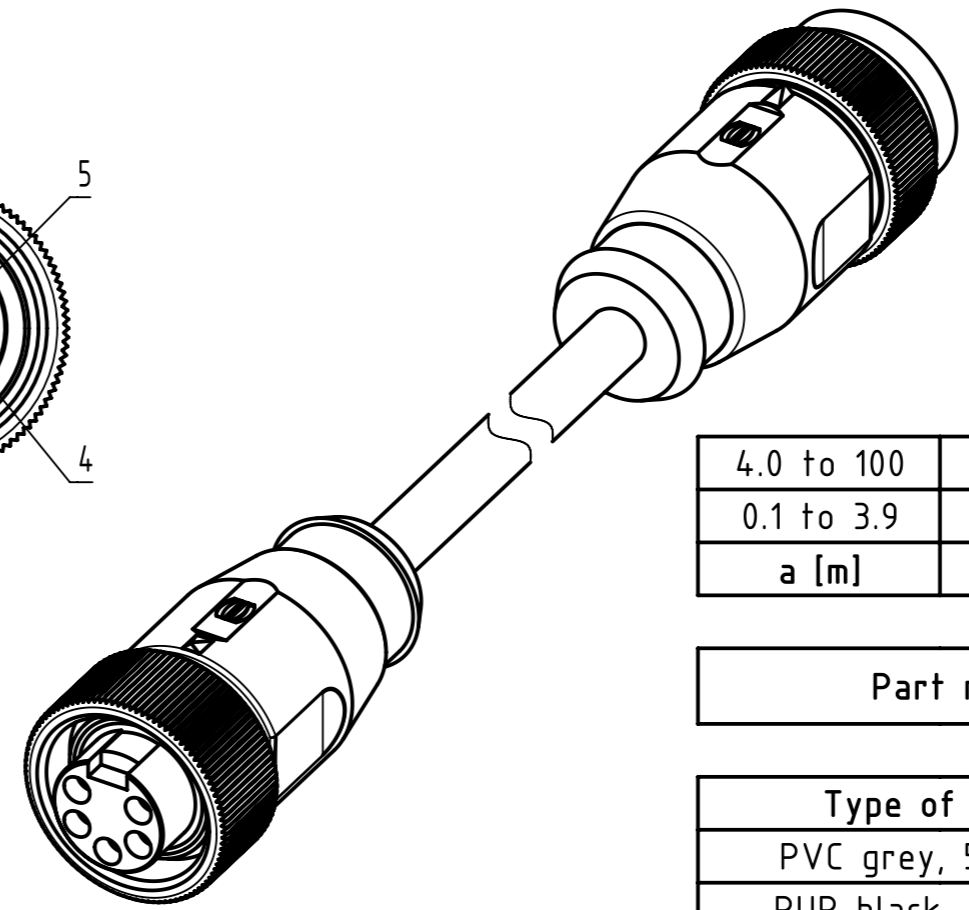
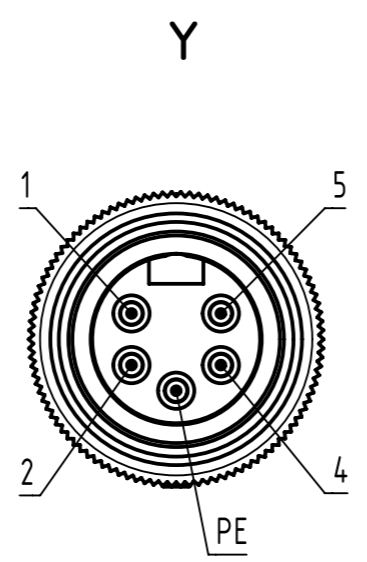
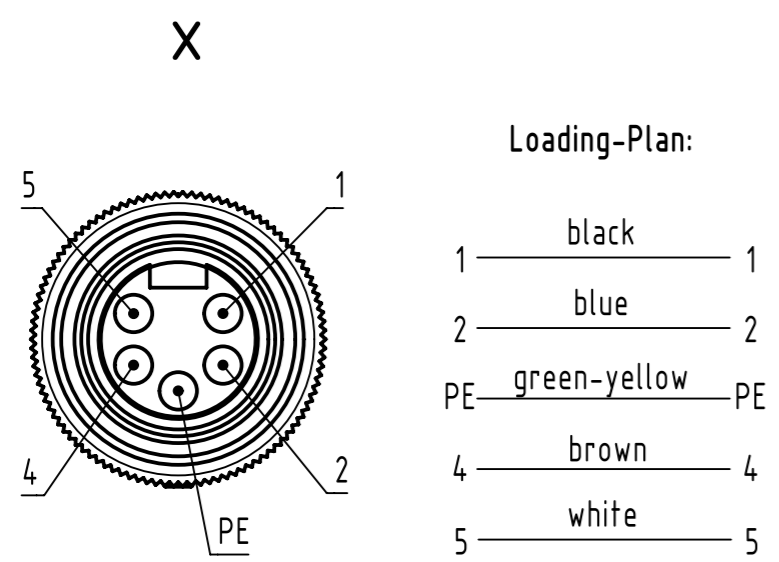


Connector Location A

Connector Location B



length in "1m" step	100	XXX=000
	99	XXX=990
	.	.
	12	XXX=120
length in "0.1m" step	11	XXX=110
	10	XXX=100
	9.9	XXX=099
	9.8	XXX=098
	.	.
	0.4	XXX=004
	0.3	XXX=003
	0.2	XXX=002
	0.1	XXX=001
Step	a [m]	XXX



4.0 to 100	+1%
0.1 to 3.9	+0.04
a [m]	Tolerance

Part no.	213496975XXXXX
Type of cable	XX
PVC grey, 5x1.5mm ²	XX=97
PUR black, 5x1.5mm ²	XX=98

- Protection level: IP 65/67
- Temperature range: -25°C ... +80°C

	All rights reserved		Created by MUNTEANV		Inspected by POPESCUD		Standardisation AVRAM		Date 2016-10-18		State Final Release	
	Department HCS - RO		Title 7/8" Cable Assembly		Doc-Key / ECM-Nr. 100581036/UGD/009/B 500000110271		Type TB		Number 213496975XXXXX		Rev. B	
HARTING Customised Solutions		D-32427 Minden								Page 1/1		

All Dimensions in mm
 Tech. Character. Free size tol. According to production drawing 2016-09-05

Mouser Electronics

Authorized Distributor

Click to View Pricing, Inventory, Delivery & Lifecycle Information:

HARTING:

[21349697597015](#) [21349697598006](#) [21349697598010](#) [21349697597003](#) [21349697597006](#) [21349697597020](#)
[21349697598020](#) [21349697598003](#) [21349697598015](#)