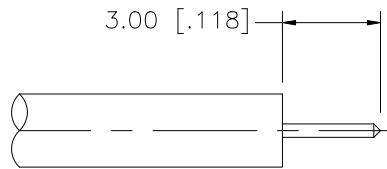
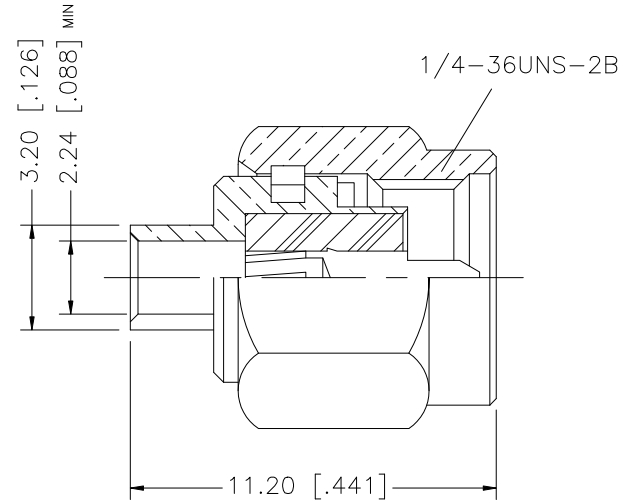
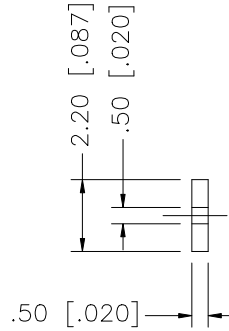


REV.	DATE	DESCRIPTION
NC	06/12/02	INITIAL RELEASE
A	02/25/08	UPDATE DRAWING FORMAT, ADD BODY X-SECTION



RECOMMENDED
CABLE STRIPPING DIM'S



				UNLESS OTHERWISE SPECIFIED DIMENSIONS ARE IN MILLIMETERS. DIMENSIONS IN [] ARE IN INCHES AND FOR CUSTOMER REFERENCE ONLY.	APPROVALS	DATE	Amphenol Connex			
8				UNLESS OTHERWISE SPECIFIED TOLERANCES FOR MILLIMETERS ARE: 0.5 - 8mm ± 0.20mm 8 - 30mm ± 0.40mm 30 - 120mm ± 0.50mm UNLESS OTHERWISE SPECIFIED TOLERANCES FOR INCHES ARE: .020 - .315 = ± 0.007" .315 - 1.180 = ± 0.015" 1.180 - 4.724 = ± 0.020"	DRAWN	G.R.S.				02/25/08
7					CHECKED					
6					ISSUED					
5					SHEET	1 OF 1		PART NO. 132248		
4	CONTACT PIN	BER. COPPER	GOLD		1	DWG. NO. 132248.DWG				
3	INSULATOR	TEFLON	NATURAL	1	REV. A					
2	BODY	BRASS	GOLD	1	SIZE A					
1	COUPLING NUT	PASSIVATED S.S.	GOLD	1	SCALE NA					
DESCRIPTION				MATERIAL	FINISH	QTY	DO NOT SCALE DRAWING			
							CAD FILE C:/132/132248.DWG			

Mouser Electronics

Authorized Distributor

Click to View Pricing, Inventory, Delivery & Lifecycle Information:

[Amphenol:](#)

[132248](#)