

D-SUBMINIATURE (D-SUB) ACCESSORIES

WIDE RANGE OF ACCESSORIES FOR SECURE CONNECTION

Amphenol FCI's D-Subminiature (D-Sub) connectors are part of industry standard and are one of the most popular Input/Output interconnects, addressing a wide variety of applications including telecommunications, industrial and medical.

- Prevents accidental mismatching
- Hoods available in 9 to 50 positions for different connector pin configurations
- Metal hoods available in straight and angled terminations for EMI/RFI shielding
- Dust caps available in metal and plastic versions
- Locking screws comes with UNC 4-40 and M3 thread options



TARGET MARKETS



FEATURES

- Hoods available in plastic, metalized and metallic form with locking screws
- Hoods available in 9 to 50 positions
- Metal hoods available in straight and angled terminations
- Hoods available with cable clamps and jackscrews
- Hoods available in different orientations and locking options
- Range includes different locking devices like screw locks and lever locks
- Screws available in both UNC 4-40 and M3 thread options
- Metal and plastic dust caps

BENEFITS

- Supports cable connection and prevents risks of pulling up and accidental mismatching
- Suitable for different connector pin configurations including high density series
- Suitable for EMI/RFI shielding
- Assures secure connection with required strain relief
- Supports various customization need
- Ensures secure and reliable connection
- Ensures connector intermateability
- Safeguards connector from dust and dirt when kept in unmated condition



D-SUBMINIATURE (D-SUB) ACCESSORIES

TECHNICAL INFORMATION

TARGET MARKETS/APPLICATIONS



Asymmetric Digital Subscriber Line (ADSL)
Base Station
Switching
Transmission



Set-top Box



Desktop and Laptop
Storage System
Router and Server



Automotive Diagnostics
Control Drives
Energy Meter
Gaming Machine
Test Equipment
Office Automation
POS & Handheld terminal
Power Supplies
Parking Meter
Printer and Copier
Renewable Energy
Robotics
Surveillance Camera
Avionics



Medical Instrument



Military Equipment

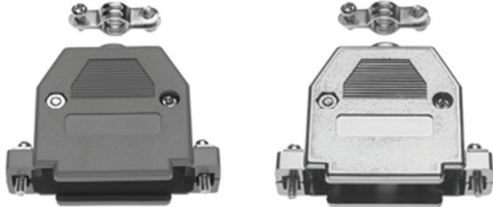
Disclaimer

Please note that the above information is subject to change without notice.

► D-SUBMINIATURE (D-SUB) ACCESSORIES

D-SUB – HOODS

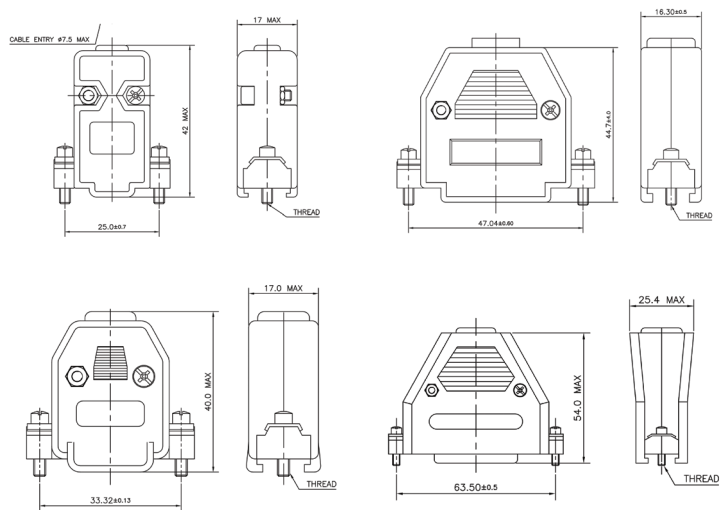
1 • STRAIGHT EXIT PLASTIC AND METALIZED HOOD WITH INTEGRATED LOCKING – ECONOMICAL SERIES



- Material: Self extinguishing UL 94 HB Thermoplastic
- Color: Grey/Metalized
- Temperature Range: -55°C +85°C
- Locking Screws: UNC 4-40 thread

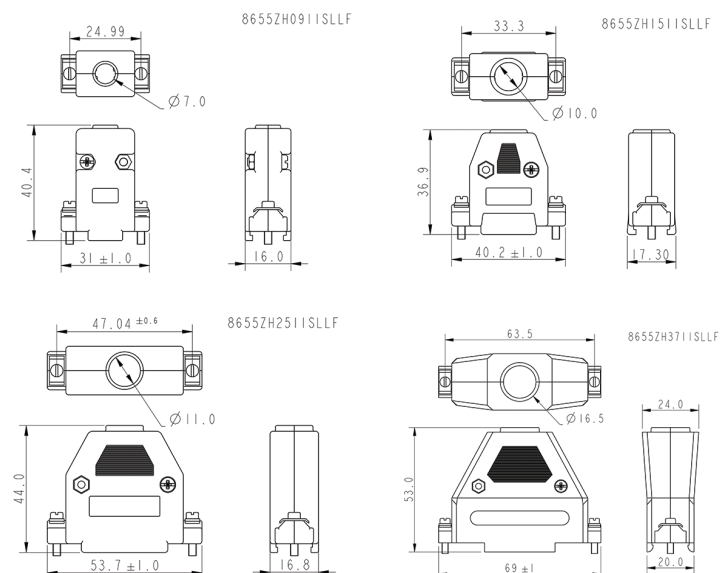
STRAIGHT EXIT HOOD-PLASTIC

| Description | Part Numbers |
|-----------------------|---------------|
| Screw Thread UNC 4-40 | 8630CH09UNCLF |
| | 8630CH15UNCLF |
| | 8630CH25UNCLF |
| | 8630CH37UNCLF |
| Screw Thread M3 | 8630CH09M3LF |
| | 8630CH15M3LF |
| | 8630CH25M3LF |
| | 8630CH37M3LF |



STRAIGHT EXIT HOOD-METALIZED

| Description | Part Numbers |
|-----------------------|----------------|
| Screw Thread UNC 4-40 | 8655ZH0911SLLF |
| | 8655ZH1511SLLF |
| | 8655ZH2511SLLF |
| | 8655ZH3711SLLF |



► D-SUBMINIATURE (D-SUB) ACCESSORIES

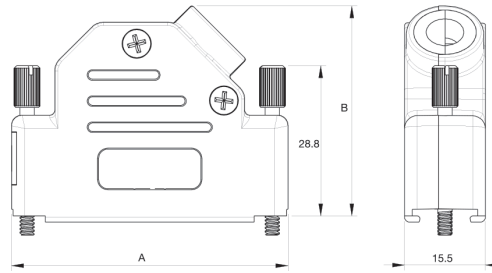
2 • ANGLE EXIT PLASTIC HOOD FOR CABLE



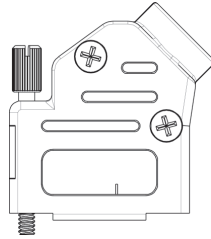
| Shell Size | Part Numbers | A | B | Cable Diameter |
|------------|----------------|------|------|----------------|
| E (9) | 8655PHRA0901LF | 31.0 | 36.2 | 4 to 13mm |
| A (15) | 8655PHRA1501LF | 39.5 | 40.2 | |
| B (25) | 8655PHRA2501LF | 53.0 | 40.2 | |
| C (37) | 8655PHRA3701LF | 69.5 | 40.2 | |

All dimensions in mm.

Size A,B,C

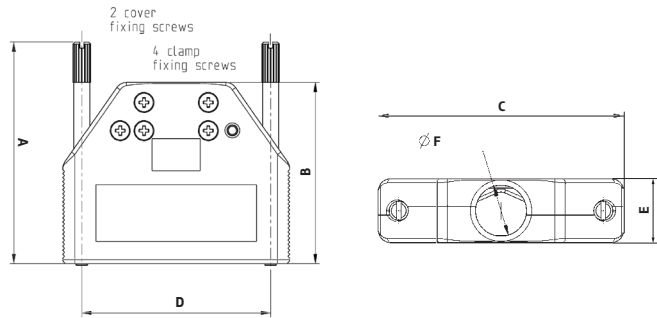
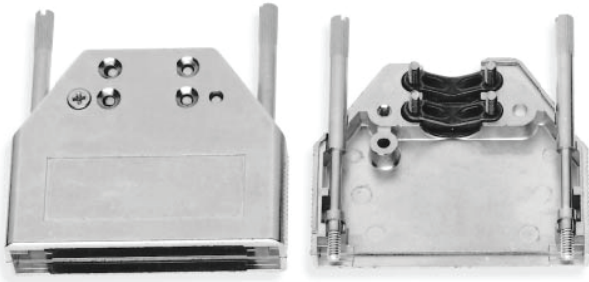


Size E



- Hoods available in Plastic, Metalized and Metallic form
- Cable Strain Relief: Steel fibre reinforced polycarbonate UL94V-0
- Color: Black
- Temperature Range: -40°C +120°C
- Packaging: Bulk, in box of 100 pieces
- Locking Screws: UNC 4-40 thread

3 • STRAIGHT EXIT METAL HOOD WITH TWO METAL CLAMPS FOR CABLE EMI/RFI



| Shell Size | Part Numbers (in bulk) | Packaging | Part Numbers (in individual set) | Packaging | A \pm 0.1 | B \pm 0.5 | C \pm 0.1 | D \pm 0.1 | E \pm 0.2 | F max. |
|------------|------------------------|-----------|----------------------------------|-----------|-------------|-------------|-------------|-------------|-------------|--------|
| E (9) | 8655MH0901LF | 80 | 8655MH0911LF | 50 | 55.00 | 45.00 | 34.40 | 24.99 | 14.70 | 7.85 |
| A (15) | 8655MH1501LF | 80 | 8655MH1511LF | 50 | 55.00 | 45.00 | 42.70 | 33.32 | 14.70 | 11.80 |
| B (25) | 8655MH2501LF | 60 | 8655MH2511LF | 50 | 55.00 | 45.00 | 56.70 | 47.04 | 14.70 | 11.80 |
| C (37) | 8655MH3701LF | 40 | 8655MH3711LF | 50 | 55.00 | 45.00 | 72.95 | 63.50 | 14.70 | 11.80 |
| D (50) | 8655MH5001LF | 40 | 8655MH5011LF | 50 | 55.00 | 45.00 | 70.60 | 61.11 | 14.70 | 14.10 |

- Material: Zamack
- Plating: Nickel
- Environment: Frequencies at 100Mz > 40dB
- Corrosion Resistance: 50 Hours exposure to salt spray

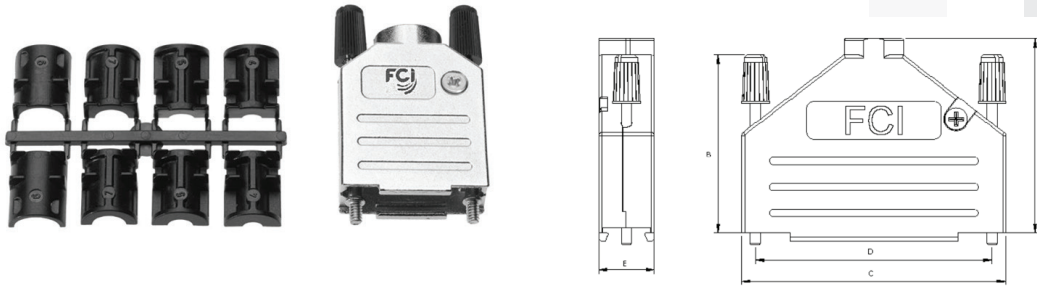
For more information,
please contact: Communications@fci.com
or visit us at www.fci.com

Disclaimer

Please note that the above information is subject to change without notice.

► D-SUBMINIATURE (D-SUB) ACCESSORIES

4 • STRAIGHT EXIT METAL HOOD FOR CABLE EMI/RFI – ECONOMICAL SERIES



| Shell Size | Part Numbers in bulk | A | B | C | D | E |
|------------|----------------------|------|------|------|-------|------|
| E | 8655MH0901BLF | 38.3 | 47.3 | 31 | 24.99 | 14.6 |
| A | 8655MH1501BLF | 40.5 | 47.3 | 39.5 | 33.32 | 14.6 |
| B | 8655MH2501BLF | 47.3 | 47.3 | 53.2 | 47.04 | 14.6 |
| C | 8655MH3701BLF | 52.2 | 47.3 | 70.9 | 63.5 | 15 |

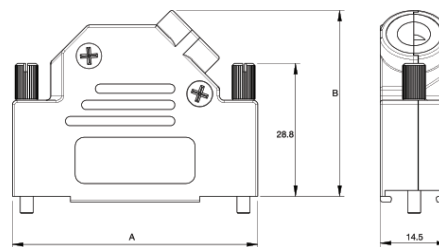
- Material: Zamack, nickel plated
- Cable Strain Relief: Steel fiber reinforced polycarbonate
- UL94V-0 for EMI/RFI screening
- Temperature Range: -40°C +120°C
- Environment: >40dB between 30MHz and 1GHz
- Packaging: Bulk, in box of 100 pieces
- Locking Screws: UNC 4-40 thread

5 • ANGLE EXIT METAL HOOD FOR CABLE EMI/RFI – ECONOMICAL SERIES

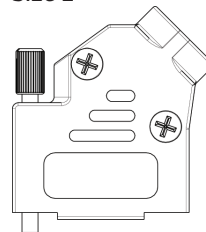


| Shell Size | Part Numbers | A | B | Cable Diameter |
|------------|----------------|------|------|----------------|
| E (9) | 8655MHRA0901LF | 31.0 | 36.2 | 4 to 13 mm |
| A (15) | 8655MHRA1501LF | 39.5 | 40.2 | |
| B (25) | 8655MHRA2501LF | 53.2 | 40.2 | |
| C (37) | 8655MHRA3701LF | 69.7 | 40.2 | |
| D (50) | 8655MHRA5001LF | 67.2 | 43.7 | 10 to 16 mm |

Size A,B,C



Size E



- Material: Zamack, Nickel plated
- Cable Strain Relief: Steel fibre reinforced polycarbonate
- UL94V-0 for EMI/RFI screening
- Temperature Range: -40°C +120°C
- Environment: >40 dB between 30MHz and 1GHz
- Packaging: Bulk, in box of 100 pieces
- Locking Screws: UNC 4-40 thread

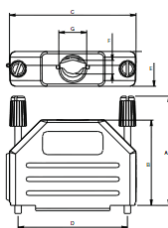
Disclaimer

▶ D-SUBMINIATURE (D-SUB) ACCESSORIES

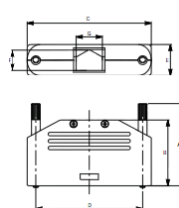
6 • “SNAP TOGETHER” PLASTIC HOOD



Size E, A,B,C



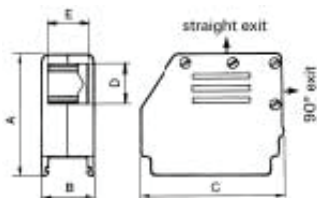
Size D



| Shell Size | Part Numbers | A | B | C | D | E | With Clamp | | | Without Clamp | |
|------------|--------------|------|------|------|-------|----|------------|------|------|---------------|-----|
| | | | | | | | F | | G | F | G |
| | | | | | | | min. | max. | | | |
| E (9) | 86303637BLF | 31.0 | 36.2 | 32.4 | 24.99 | 15 | 1 | 5.5 | 8.5 | 7 | 8.5 |
| A (15) | 86303638BLF | 39.5 | 40.2 | 40.7 | 33.32 | 15 | 4 | 7 | 12 | 11 | 12 |
| B (25) | 86303639BLF | 53.2 | 40.2 | 54.4 | 47.04 | 15 | 4 | 7 | 12 | 11 | 12 |
| C (37) | 86303640BLF | 69.7 | 40.2 | 70.9 | 63.5 | 15 | 4 | 7 | 12 | 11 | 12 |
| D (50) | 86303641CLF | 67.2 | 43.7 | 71.2 | 61.11 | 15 | 4 | 11.5 | 15.5 | 14 | 18 |

- Material: Zamack, nickel plated
- Material (size D): Thermoplastic (UL94V-2)
- Color: Black
- Temperature Range: -40°C +95°C
- Packaging: Individual sets
- Locking Screws: UNC 4-40 thread

7 • UNIVERSAL PLASTIC HOOD WITH METAL CLAMP FOR STRAIN RELIEF



| Shell Size | Part Numbers (Black Hood) | Part Numbers (Metalized Hood) | A | B | C | With Clamp | | | Without Clamp | |
|------------|---------------------------|-------------------------------|-------|-------|-------|------------|------|-------|---------------|-------|
| | | | | | | D | E | | D | E |
| | | | | | | | min. | max. | | |
| E | 863093C09ALF | 863093C09MLF | 29.75 | 15.50 | 24.25 | 6 | 1.90 | 0.10 | 8 | 11.50 |
| A | 863093C15ALF | 863093C15MLF | 29.75 | 15.50 | 32.50 | 6 | 1.90 | 0.10 | 8 | 11.50 |
| B | 863093C25ALF | 863093C25MLF | 46.50 | 15.50 | 46.00 | 13.50 | 2.60 | 0.10 | 16 | 11.50 |
| C | 863093C37ALF | 863093C37MLF | 46.50 | 15.50 | 60.50 | 13.50 | 2.60 | 0.10 | 16 | 11.50 |
| D | 863093C50ALF | 863093C50MLF | 46.50 | 18.00 | 56.50 | 15.50 | 4.40 | 12.60 | 18 | 14.00 |

- Material (black hood): Self-extinguishing
- UL94V-0 thermoplastic
- Material (metalized): Thermoplastic
- Temperature Range: -55°C +125°C
- Packaging: Individual sets

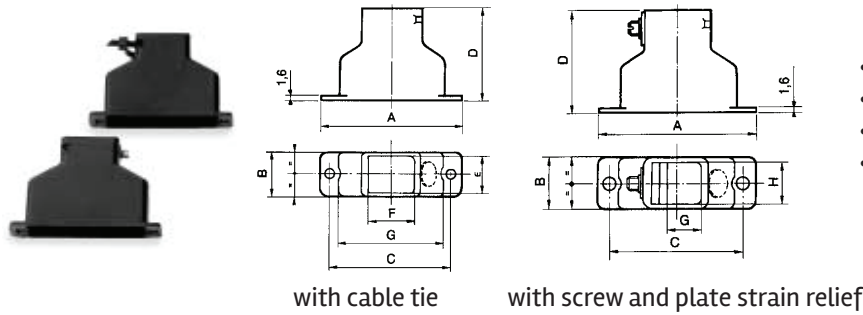
All dimensions in mm.

Disclaimer

Please note that the above information is subject to change without notice.

MONOBLOC PLASTIC HOODS FOR POTTING

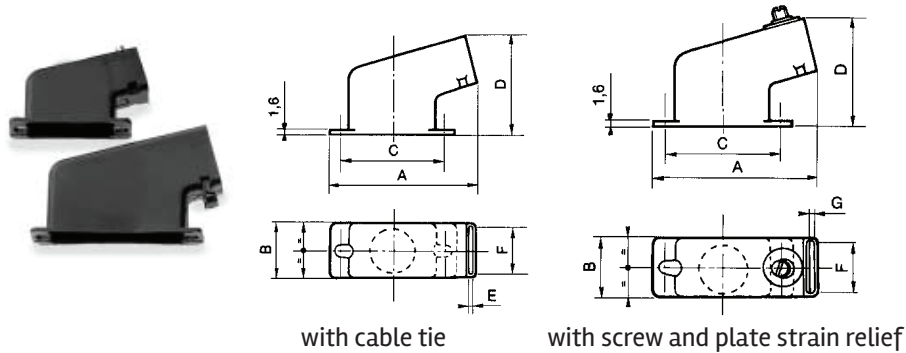
8 • STRAIGHT EXIT



- Material: Self-extinguishing
- UL rated 94V-0 thermoplastic
- Temperature range : -55°C to +105°C
- Color: Black

| Shell Size | Part Numbers | | A | B | C | D | E | F | G | | H |
|------------|---------------------|---------------------------|-------|-------|-------|-------|-------|-------|------|-------|-------|
| | Hood with cable tie | Hood with screw and plate | | | | | | | min. | max. | |
| E | 863086BLF | 86303920ALF | 30.60 | 12.50 | 25.00 | 29.00 | 9.90 | 9.90 | 2.70 | 7.10 | 10.50 |
| A | 863021BLF | 86303921ALF | 38.90 | 12.50 | 33.32 | 29.00 | 9.90 | 11.90 | 4.50 | 9.10 | 10.50 |
| B | 863022BLF | 86303922ALF | 52.80 | 12.50 | 47.05 | 35.00 | 9.90 | 16.40 | 9.20 | 13.60 | 10.50 |
| C | 863023BLF | 86303923ALF | 69.10 | 12.50 | 63.50 | 41.00 | 9.90 | 23.40 | 9.20 | 20.60 | 10.50 |
| D | 863024BLF | 86303924ALF | 66.70 | 15.30 | 61.10 | 41.00 | 12.70 | 23.40 | 9.20 | 20.60 | 13.30 |

9 • RIGHT ANGLE EXIT



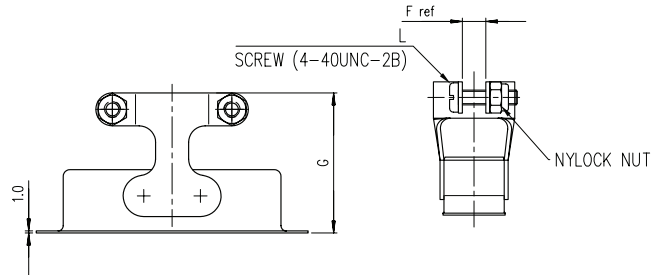
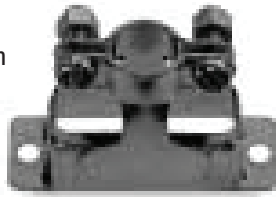
| Shell Size | Part Numbers | | A | B | C | D | E | F | G | |
|------------|---------------------|---------------------------|-------|-------|-------|-------|-------|-------|------|-------|
| | Hood with cable tie | Hood with screw and plate | | | | | | | min. | max. |
| E | 86305002BLF | 86303925ALF | 30.60 | 12.50 | 25.00 | 26.20 | 10.50 | 10.50 | 2.70 | 7.10 |
| A | 863026BLF | 86303926ALF | 38.90 | 12.50 | 33.32 | 28.60 | 12.50 | 10.50 | 4.50 | 9.10 |
| B | 863027BLF | 86303927ALF | 52.80 | 12.50 | 47.05 | 36.40 | 17.00 | 10.50 | 9.20 | 13.60 |
| C | 863028BLF | 86303928ALF | 69.10 | 12.50 | 63.50 | 42.60 | 24.00 | 10.50 | 9.20 | 20.60 |
| D | 863029BLF | 86303929ALF | 66.70 | 15.30 | 61.10 | 41.00 | 24.00 | 13.30 | 9.20 | 20.60 |

► D-SUBMINIATURE (D-SUB) ACCESSORIES

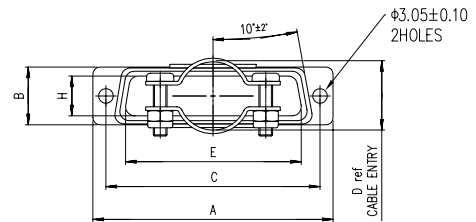
HOOD WITH CABLE CLAMPS

10 • METAL HOOD WITH CIRCULAR CLAMP AND STRAIGHT EXIT

- Material: Steel
- Plating: Yellow chromate cadmium
- Corrosion Resistance:
- 50 hours exposure to salt spray



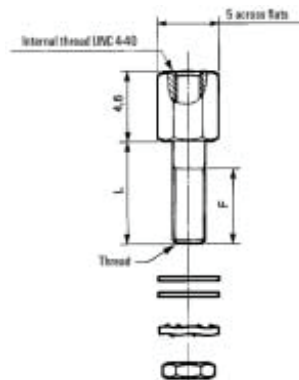
| Shell Size | Part Numbers | A ± 0.38 | B ± 0.38 | C ± 0.13 | D ref | E ± 0.38 | F ref | G ± 0.76 | H ± 0.38 | L ± 0.80 |
|------------|--------------|----------|----------|----------|-------|----------|-------|----------|----------|----------|
| E | 863010A | 30.68 | 12.70 | 25.00 | 10.31 | 16.79 | 3.18 | 26.19 | 8.74 | 9.53 |
| A | 863011A | 38.89 | 12.70 | 33.30 | 10.31 | 25.00 | 3.18 | 26.19 | 8.74 | 9.53 |
| B | 863012A | 52.78 | 12.70 | 47.04 | 15.06 | 38.48 | 4.75 | 27.08 | 8.74 | 9.53 |
| C | 863013A | 69.04 | 12.70 | 63.50 | 18.25 | 55.14 | 6.35 | 27.08 | 8.74 | 12.70 |
| D | 863014A | 66.68 | 15.47 | 61.12 | 20.62 | 53.16 | 7.93 | 27.08 | 11.13 | 15.88 |



11 • FEMALE SCREW LOCKS

| Thread | L.Max | F | Material | Part Numbers |
|----------|-------|-------|----------|--------------|
| M3 | 8.30 | 6.90 | Brass | 863001TLF |
| M3 | 8.30 | 6.90 | Steel | 86552153TLF |
| M3 | 6.30 | 5.00 | Brass | 863001017TLF |
| M3 | 13.00 | 12.00 | Brass | 863001061TLF |
| UNC 4-40 | 8.30 | 6.90 | Brass | 863001060TLF |

- Plating: Bright tin
- Corrosion Resistance: 24 hours exposure to salt spray



12 • SPECIFIC FEMALE SCREW LOCKS FOR DELTA D SERIES

| Thread | L.Max | F | Material | Part Numbers |
|----------|-------|-----|----------|--------------|
| M3 | 4.5 | 3.7 | Steel | 863001018TLF |
| UNC 4-40 | 4.5 | 3.7 | Steel | 863001019TLF |

| Material | Torque Max. (Nm) |
|----------|------------------|
| Brass | 0.5 |
| Steel | 0.7 |

Disclaimer

► D-SUBMINIATURE (D-SUB) ACCESSORIES

13 • MALE SCREW LOCKS

For use with connector without hood or with hood 7

For use with connector with hoods 10

For use with connector with hoods 8

| Shell Size | Connector Type | Part Numbers | | |
|------------|----------------|--------------|------------|------------|
| E | Male | 863005ATLF | 863004ATLF | 863009ATLF |
| | Female | | | |
| A | Male | | | |
| | Female | | | |
| B | Male | | | |
| | Female | | | |
| C | Male | 863008ATLF | | |
| | Female | 863005ATLF | | |
| D | Male | 863015ATLF | 863002ATLF | 863025ATLF |
| | Female | 863003ATLF | | |



- Material: Steel
- Plating: Bright tin
- Corrosion Resistance: 50 hours exposure to salt spray
- To obtain military plating (yellow chromate cadmium) exclude «TLF» in the part number (ex: 863005A)
- Thread: UNC 4-40

LOCKING DEVICES

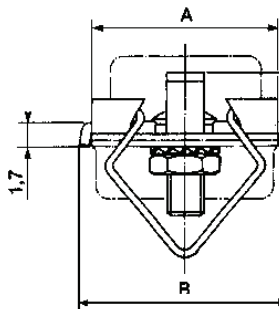
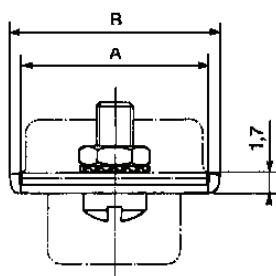
14 • LEVER LOCKS



Female



Male



| Shell Size | A | B | M3 Thread | | UNC 4-40 Thread | |
|------------|-------|-------|------------|------------|-----------------|------------|
| | | | Female | Male | Female | Male |
| E, A, B, C | 12.50 | 14.30 | 86303425LF | 86552096LF | 86303425060LF | 86552098LF |
| D | 15.30 | 17.10 | 86303426LF | 86552097LF | 86303426060LF | 86552099LF |

- Material: Steel
- Plating: Passivated

Disclaimer

► D-SUBMINIATURE (D-SUB) ACCESSORIES

CAPS

15 • METAL CAPS

| Shell size | Connector Type Compatibility | Part Numbers | Diameter |
|------------|------------------------------|--------------|----------|
| E | Male | 86553148TLF | 30 |
| | Female | 86553113TLF | 30 |
| | | 86553138TLF* | 30 |
| A | Male | 86553149TLF | 25 |
| | Female | 86553114TLF | 25 |
| | | 86553139TLF* | 25 |
| B | Male | 86553150TLF | 20 |
| | Female | 86553115TLF | 20 |
| | | 86553140TLF* | 20 |
| C | Male | 86553151TLF | 15 |
| | Female | 86553116TLF | 15 |
| | | 86553141TLF* | 15 |
| D | Male | 86553152TLF | 10 |
| | Female | 86553117TLF | 10 |
| | | 86553142TLF* | 10 |



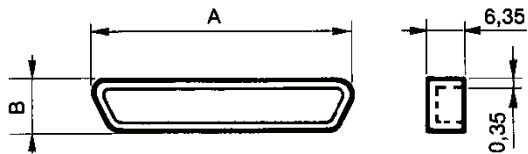
- Material: Steel
- Plating: Bright tin
- Corrosion Resistance: To obtain military plating (yellow chromate cadmium) exclude "TLF" in part number (ex : 86553148A)

16 • ATTACHING CORD FOR METAL CAPS

86553156LF (Length = 100 mm)
Packaging: Individual



17 • PLASTIC DUST CAPS



| Shell size | For male connector | A | B | For female connector | A | B |
|------------|--------------------|-------|-------|----------------------|-------|-------|
| E | 70518BLF | 19.17 | 10.30 | 70523BLF | 17.77 | 9.0 |
| A | 70519BLF | 27.50 | 10.30 | 70524BLF | 26.10 | 9.0 |
| B | 70520BLF | 41.67 | 10.70 | 70525BLF | 39.82 | 9.0 |
| C | 70521BLF | 58.13 | 10.70 | 70526BLF | 56.28 | 9.0 |
| D | 70522BLF | 55.49 | 13.40 | 70527BLF | 53.89 | 11.85 |

- Material: Thermoplastic
- Color: Black
(For Red, please contact AFCI sales representative)

Disclaimer

► D-SUBMINIATURE (D-SUB) ACCESSORIES

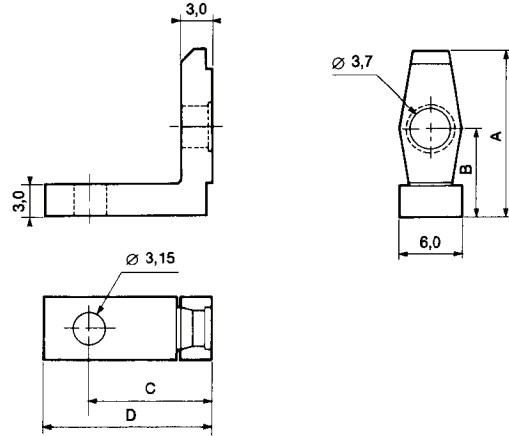
LOCKING DEVICES

Plastic mounting brackets are normally supplied with angled spill D-Sub connectors series D, DP, DM and DMW. However, both plastic and metal brackets can be ordered separately, using the part numbers listed below. These brackets are supplied with a screw and a nut. Order two assemblies for each connector.

18 • PLASTIC BRACKETS

| Shell Size | Part Numbers | A | B | C | D |
|------------|--------------|-------|------|-------|-------|
| E, A, B, C | 86303714LF | 13.20 | 7.20 | 10.74 | 13.90 |

- Material: UL rated 94V0 thermoplastic



Mouser Electronics

Authorized Distributor

Click to View Pricing, Inventory, Delivery & Lifecycle Information:

[FCI / Amphenol:](#)

[67722-002](#) [69447-010](#) [72018-905](#) [72921-201](#) [85343-001](#) [863001](#) [863001017](#) [863012](#) [863013](#) [863014](#) [863020](#)
[10019396-001LF](#) [10021233-001LF](#) [65134-001LF](#) [61819-0120BLF](#) [59567-1004](#) [10019396-001](#) [8630-01-060](#)
[10079790-101LF](#) [10079790-104LF](#) [10061122-431210ELF](#) [10061122-451210ELF](#) [10019396-004](#) [56441-10003](#)
[86552008](#) [86552009](#) [86552096](#) [86552099](#) [86552153](#) [86552189](#) [86553115](#) [86553116](#) [86553117](#) [86553141](#)
[86553148](#) [86553149](#) [86553150](#) [86553152](#) [91481-840](#) [91487-041](#) [91842-006](#) [93154-003](#) [93154-006](#) [94104-044](#)
[10054794-007LF](#) [69694-002LF](#) [70034-001LF](#) [70393-106LF](#) [72018-105LF](#) [85343-001LF](#) [85382-011LF](#) [863013LF](#)
[86551166TLF](#) [86551247SQLF](#) [94798-002LF](#) [863016](#) [863017LF](#) [58442-101LF](#) [58442-104LF](#) [10067807-102LF](#)
[10082443-002LF](#) [86553156-1LF](#) [86551315LF](#) [8630-11](#) [863019](#) [863001060](#) [863011](#)