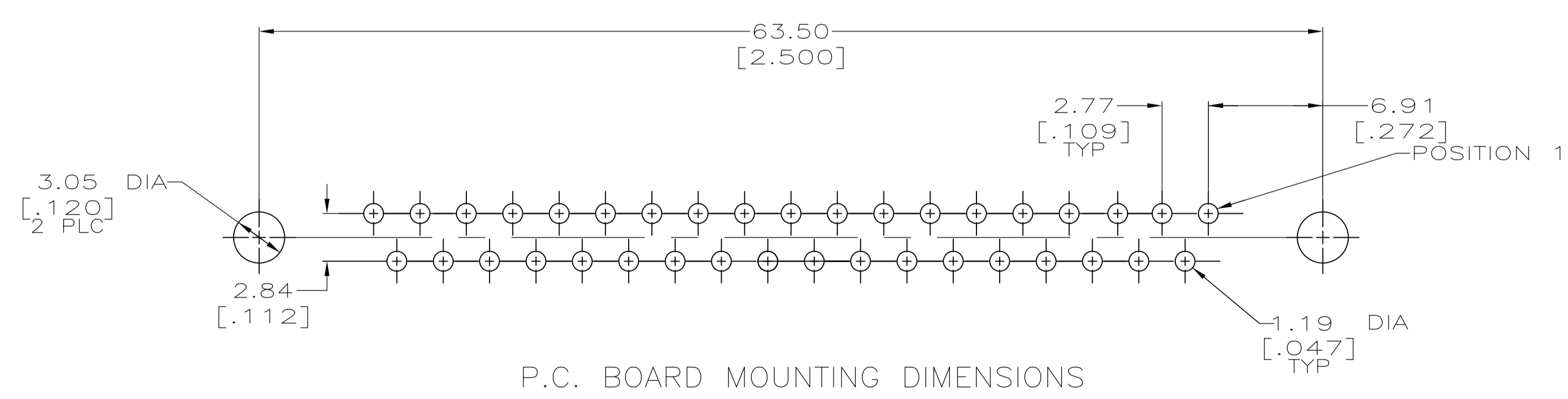
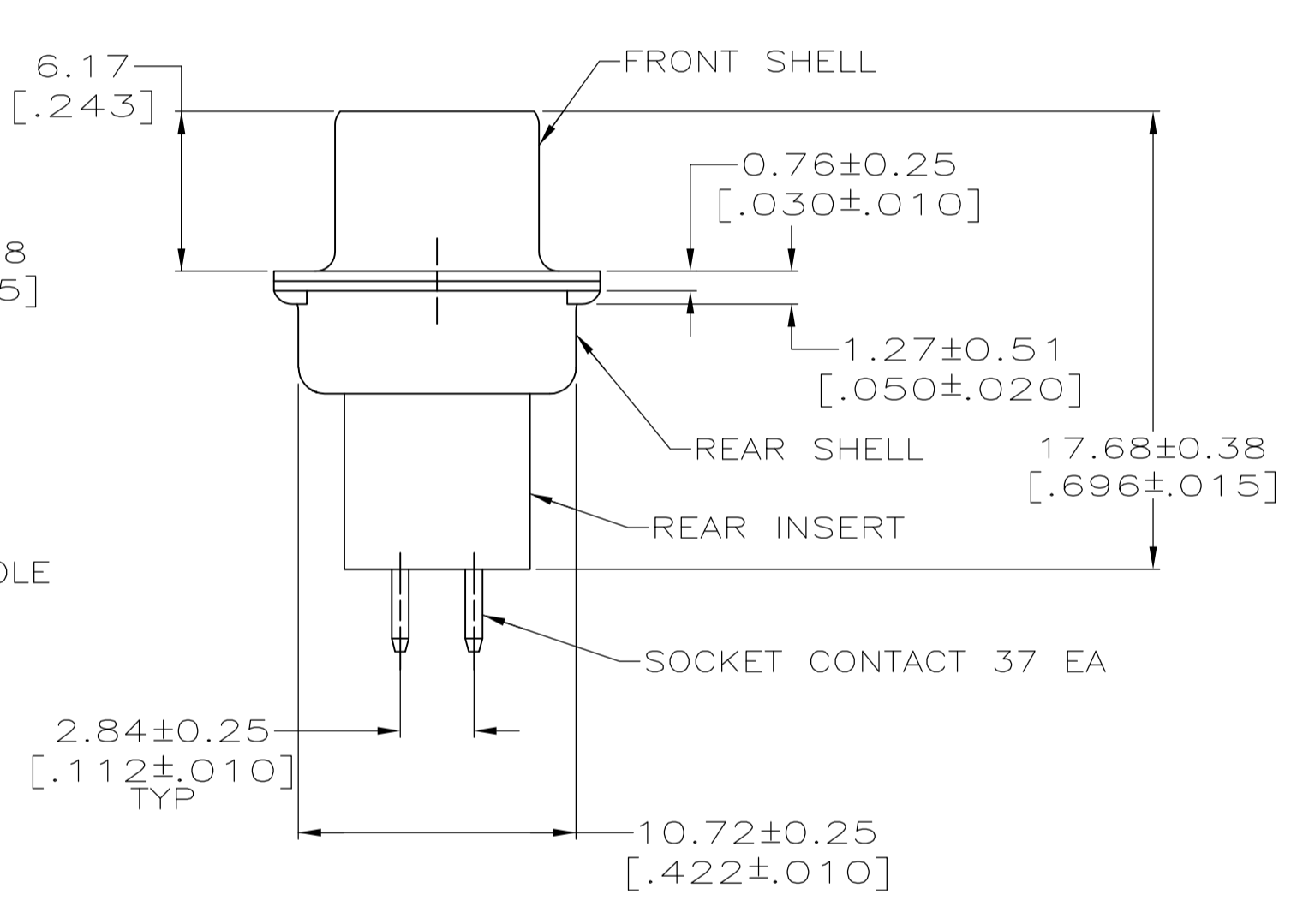
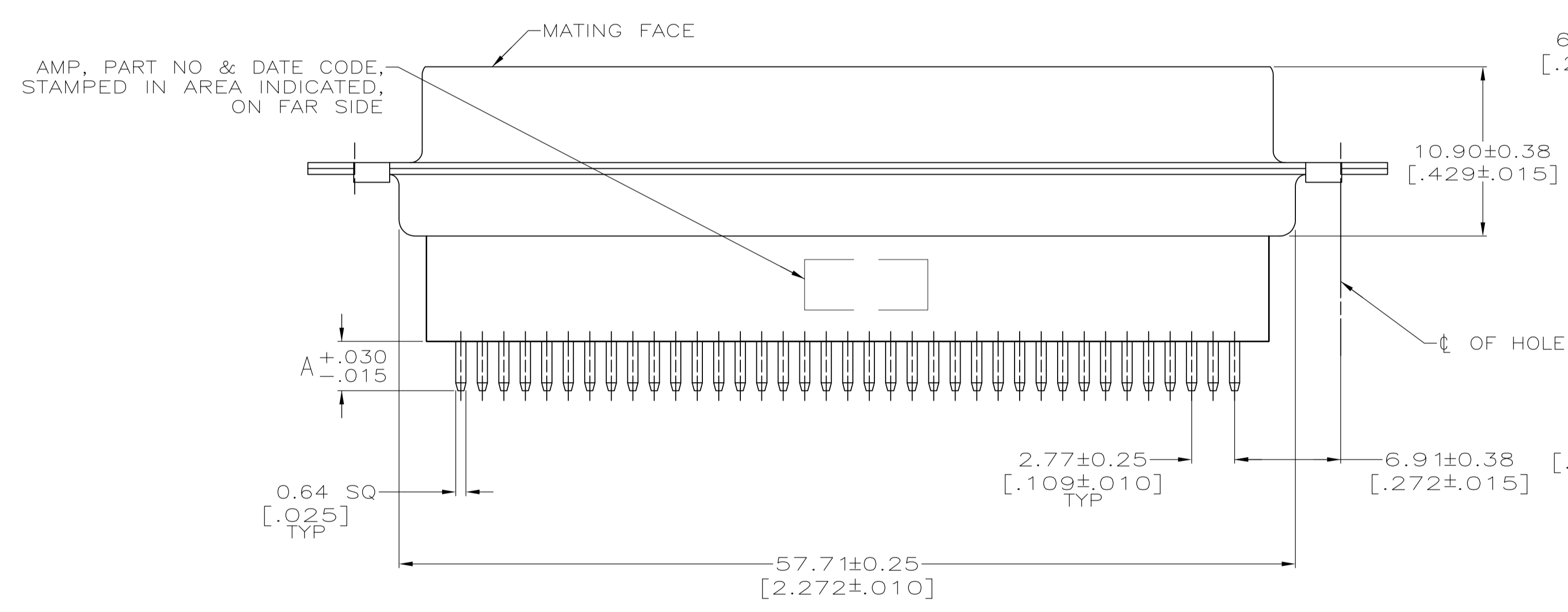


- ⚠ MOLDED PARTS: FLAME RETARDANT 94V-0 RATED THERMOPLASTIC; BLACK.
SHELLS: CARBON STEEL.
CONTACTS: PHOS BRONZE.
- ⚠ CONTACTS: 0.76μm [.000030] MIN GOLD ON MATING END, 2.54μm [.000100] MIN TIN OR TIN-LEAD ON OPPOSITE END, ALL OVER 1.27μm [.000050] MIN NICKEL.
-OR-
GOLD FLASH OVER PALLADIUM-NICKEL, 0.76μm [.000030] MIN TOTAL ON MATING END, 2.54μm [.000100] MIN TIN OR TIN-LEAD ON OPPOSITE END, ALL OVER 1.27μm [.000050] MIN NICKEL.
- ⚠ SHELLS: 5.08μm [.000200] MIN TIN OVER 2.54μm [.000100] MIN COPPER.



SUPSD BY 745189-7	-	-	745189-8
	⚠	4.78 [0.188]	745189-7
OBSOLETE	-	-	745189-6
SUPSD BY 205713-5	-	-	745189-5
SUPSD BY 745189-3	-	-	745189-4
SUPSD BY 745189-7	-	-	745189-3
SUPSD BY 745189-1	-	-	745189-2
OBSOLETE	⚠	3.18 [0.125]	745189-1

FINISH	DIM A	PART NUMBER
--------	-------	-------------

THIS DRAWING IS A CONTROLLED DOCUMENT.

DIMENSIONS: mm [INCHES] TOLERANCES UNLESS OTHERWISE SPECIFIED: 0 PLC ± - 1 PLC ± - 2 PLC ± 0.13 [.005] 3 PLC ± - 4 PLC ± - ANGLES ± °	DWN C. REIFSNYDER 07 AUG 95 CHK R. STONE 23 AUG 95 APVD R. TAYLOR 23 AUG 95 NAME R. TAYLOR PRODUCT SPEC 108-40025 APPLICATION SPEC 114-40013 WEIGHT - CUSTOMER DRAWING	Tyco Electronics Corporation Harrisburg, PA 17105-3608 RECEPTACLE ASSY, SIZE 4, 37 POS, VERTICAL, TM SIZE A1 CAGE CODE 00779 DRAWING NO 745189 SCALE NTS SHEET 1 OF 1 REV M
--	---	---

Mouser Electronics

Authorized Distributor

Click to View Pricing, Inventory, Delivery & Lifecycle Information:

[TE Connectivity:](#)

[745189-7](#)