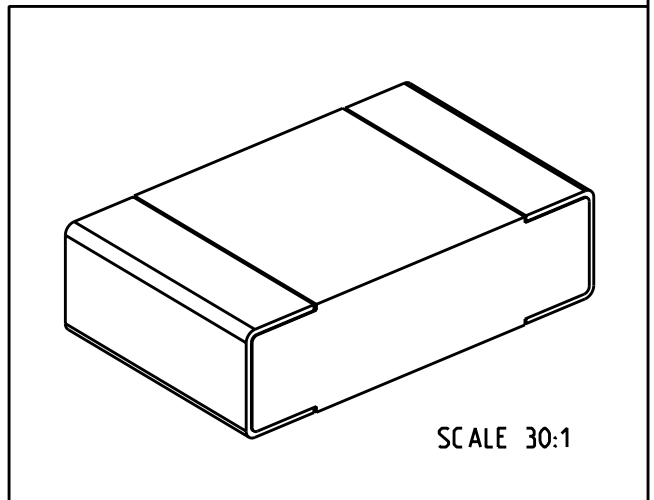


LOC	DIST	REVISIONS					
E	B	P	LTR	DESCRIPTION	DATE	DWN	APVD
			BA	NEW RELEASE	06-AUG-09	SM	SI.P

FOR FURTHER INFORMATION SEE DATA SHEET FOR
CRG SERIES-THICK FILM CHIP RESISTORS



RoHS Compliant



2009

RELEASED FOR PUBLICATION

THIS DRAWING IS UNPUBLISHED.

BY TYCO ELECTRONICS CORPORATION. ALL RIGHTS RESERVED.

© COPYRIGHT 2009

DIMENSIONS:		DWN	06-AUG-09	MATERIAL	-	FINISH	-	
mm		CHK	06-AUG-09	Tyco Electronics Corporation Dorcan, Swindon, SN3 5HH				
TOLERANCES UNLESS OTHERWISE SPECIFIED:		APVD	06-AUG-09					
0 PLC	± 0.5	PRODUCT SPEC	-	NAME				THICK FILM CHIP RESISTORS
1 PLC	± 0.2	APPLICATION SPEC	-	SIZE				A 4
2 PLC	± 0.1	WEIGHT	-	CAGE CODE				00779
3 PLC	± -			DRAWING NO				C- 1623281
4 PLC	± -			RESTRICTED TO				-
ANGLES	± 5°			SCALE				40:1
		CUSTOMER DRAWING		SHEET		1	OF 1	
				REV		BA		

Mouser Electronics

Authorized Distributor

Click to View Pricing, Inventory, Delivery & Lifecycle Information:

[TE Connectivity:](#)

[CRG0805F750R](#)