

4

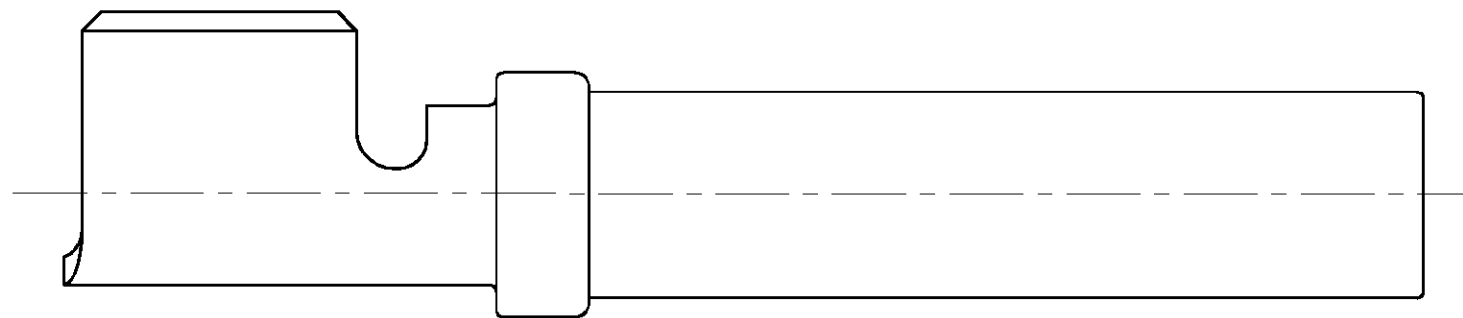
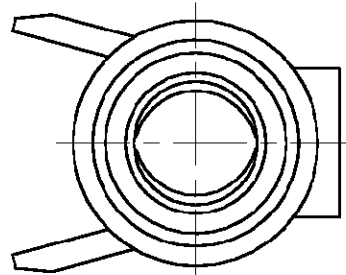
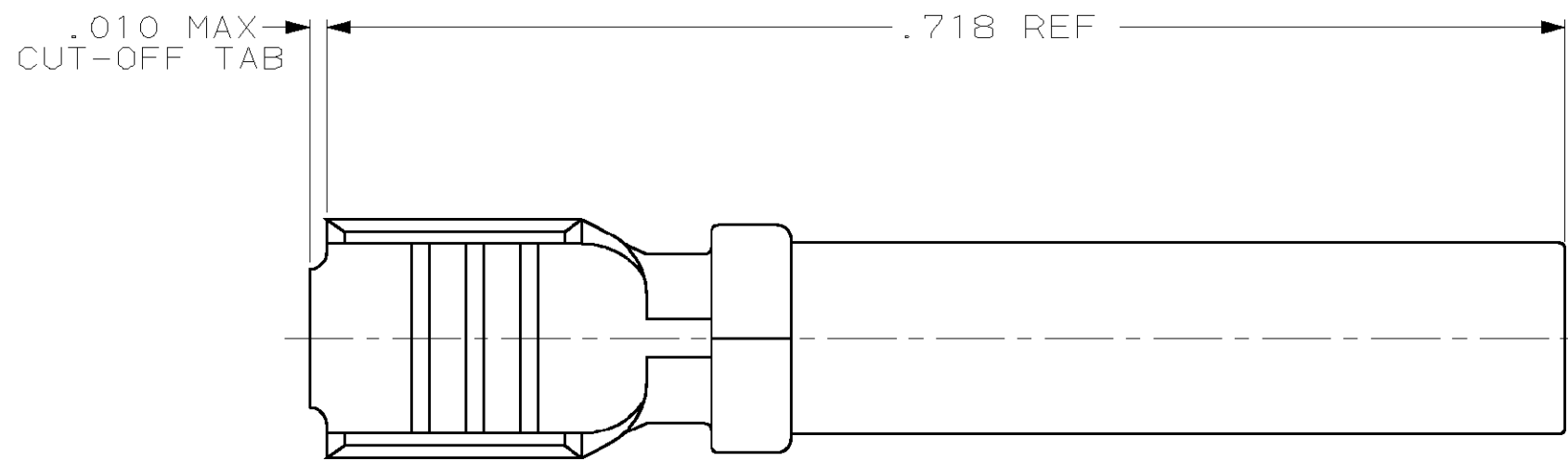
3

2

1

THIS DRAWING IS UNPUBLISHED. RELEASED FOR PUBLICATION .19  
 BY AMP INCORPORATED. ALL RIGHTS RESERVED.

LOC	DIST	REVISIONS					
		P	LTR	DESCRIPTION	DATE	DWN	APVD
GE	55	0		REL PER PR# 99-7	2-17-99	PC	WL
		A		REV PER EC 0K40-0013-01	24AUG01	AG	MT



1. WIRE RANGE: 18-14 AWG

776297

LOOSE PIECE VERSION OF 638090-2	NICKEL	776297-2
LOOSE PIECE VERSION OF 638090-1	GOLD	776297-1
DESCRIPTION	FINISH	PART NUMBER

THIS DRAWING IS A CONTROLLED DOCUMENT.		DWN P. COLLINS 2-17-99	AMP Incorporated Harrisburg, PA 17105-3508	
DIMENSIONS: mm		CHK W. LONG 2-17-99		
TOLERANCES UNLESS OTHERWISE SPECIFIED:		APVD S. MARPOE 2-17-99		
0 PLC ±- 1 PLC ±- 2 PLC ±0.5 3 PLC ±0.13 4 PLC ±- ANGLES ±-		NAME	ASSEMBLY, SOCKET LOOSE PIECE	
MATERIAL	FINISH	PRODUCT SPEC	SIZE	CAGE CODE
-	-	APPLICATION SPEC	A2	00779
		WEIGHT	DRAWING NO	RESTRICTED TO
		-	C= 776297	-
		CUSTOMER DRAWING	SCALE	SHEET 1 OF 1
		-	-	REV A

AMP 1471-9 REV 11 JUN 97

# Mouser Electronics

Authorized Distributor

Click to View Pricing, Inventory, Delivery & Lifecycle Information:

[TE Connectivity:](#)

[776297-1](#)