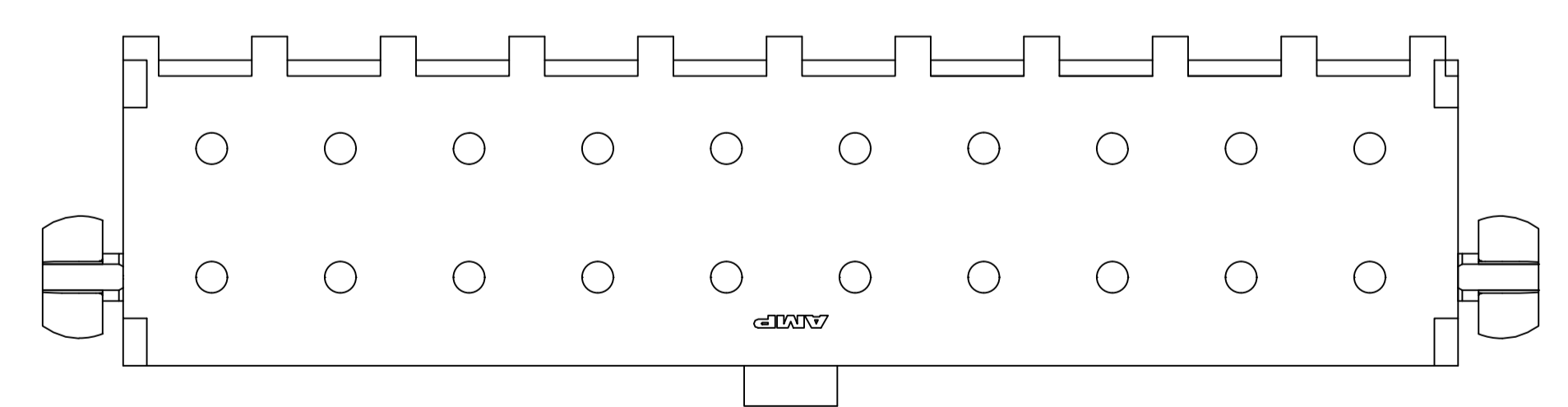
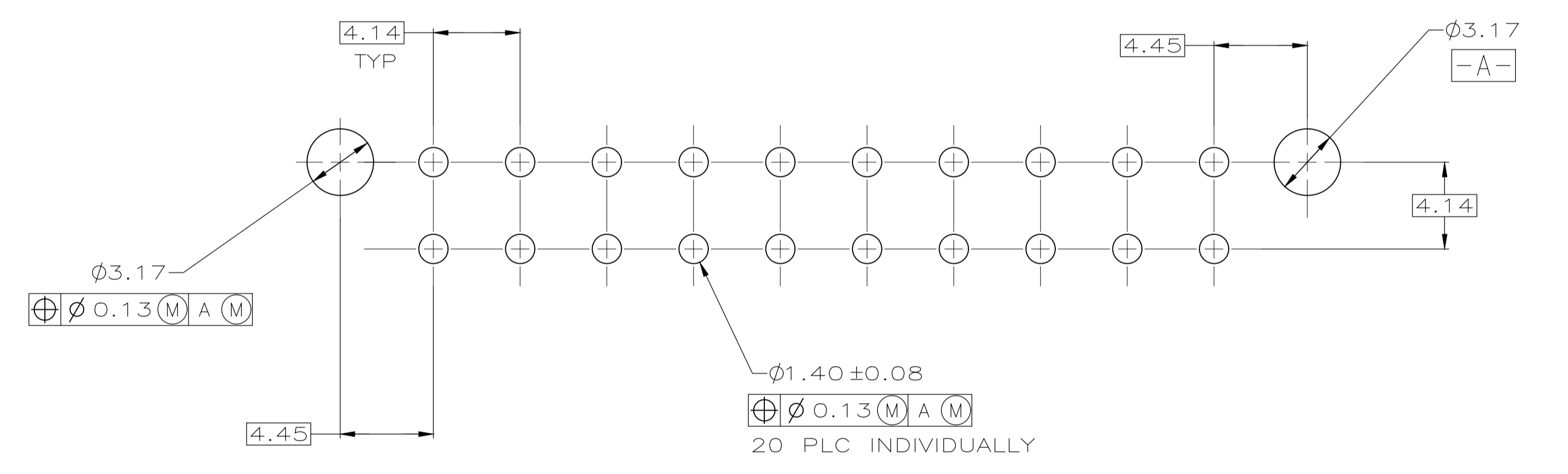
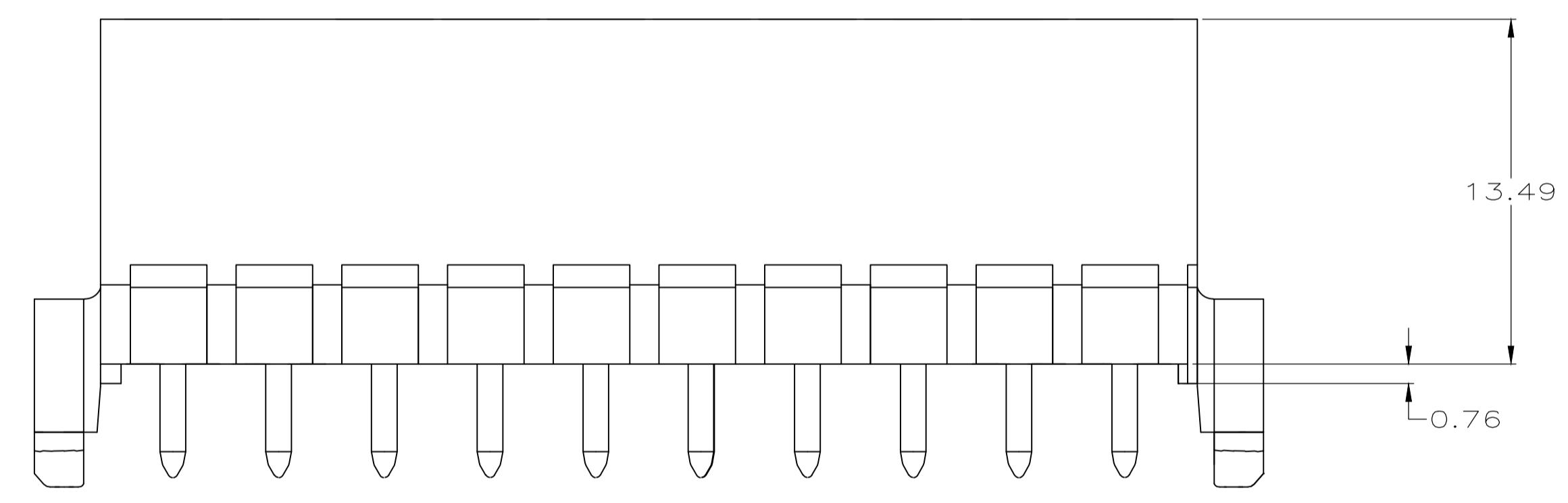
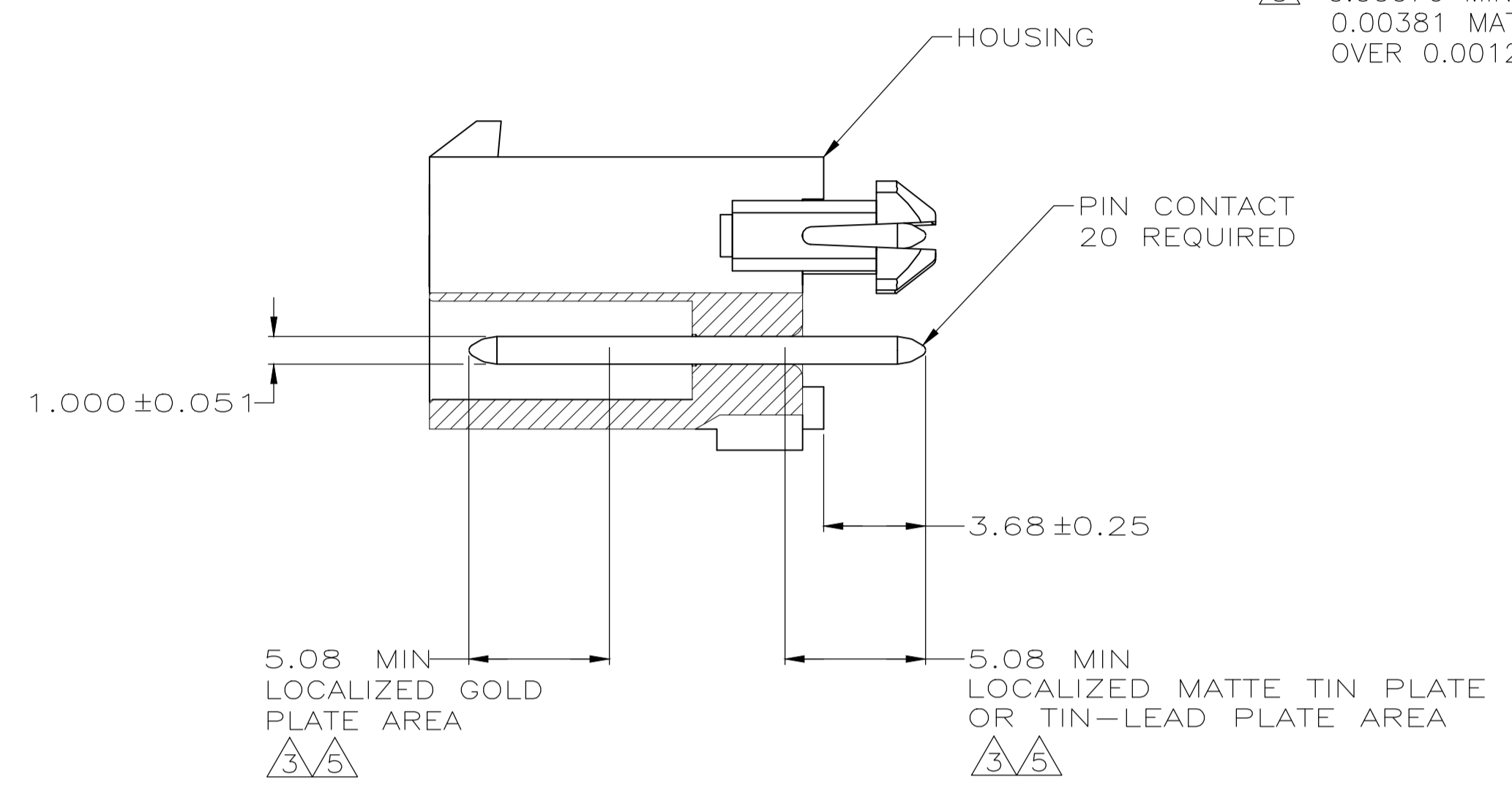
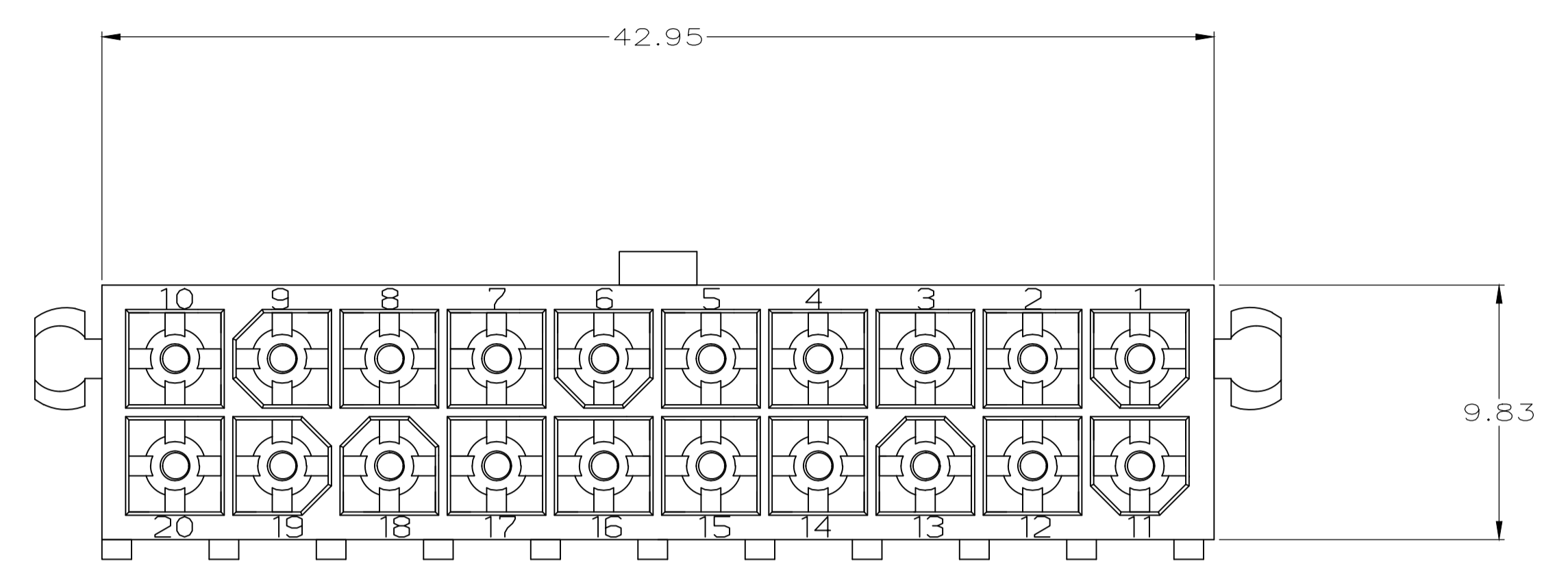


- PINS TO COMPLY WITH AMP SOLDERABILITY SPEC. 108-11-3.
- 0.00381 MIN MATTE TIN LEAD OVER 0.00127 MIN NICKEL.
- 0.00076 MIN GOLD PLATE IN THE LOCALIZED PLATE AREA, 0.00381 MATTE TIN LEAD IN THE LOCALIZED PLATE AREA, BOTH OVER 0.00127 MIN NICKEL.
- 0.00381 MIN MATTE TIN OVER 0.00127 MIN NICKEL.
- 0.00076 MIN GOLD PLATE IN THE LOCALIZED PLATE AREA, 0.00381 MATTE TIN IN THE LOCALIZED PLATE AREA, BOTH OVER 0.00127 MIN NICKEL.



RECOMMENDED MOUNTING HOLE PATTERN FOR 1.57 THICK P.C. BOARD

	BRASS, GOLD	NYLON, 94V-0, WHITE	1-794077-1
	BRASS, TIN	NYLON, 94V-0, WHITE	1-794077-0
	BRASS, GOLD	NYLON, 94V-0, WHITE	794077-2
OBSOLETE	BRASS, TIN LEAD	NYLON, 94V-0, WHITE	794077-1
PIN CONTACT MATERIAL AND FINISH		HOUSING MATERIAL AND COLOR	PART NUMBER

THIS DRAWING IS A CONTROLLED DOCUMENT.

DIMENSIONS: mm	TOLERANCES UNLESS OTHERWISE SPECIFIED:	DWN: K. WHITAKER 5-18-95	CHK: R. SWING 5-18-95	APVD: R. ORSTAD 6-13-95	NAME: R. ORSTAD	PRODUCT SPEC: ---	APPLICATION SPEC: ---	SIZE: A1	CAGE CODE: 00779	DRAWING NO: 794077	RESTRICTED TO: ---
MATERIAL: SEE TABLE		FINISH: SEE TABLE		WEIGHT: ---	CUSTOMER DRAWING		SCALE: 5:1	SHEET: 1 of 1	REV: E1	TE Connectivity HEADER ASSEMBLY, CLOSED BOTTOM, 20 CIRCUIT, DOUBLE ROW VERTICAL, MINI-UNIVERSAL MATE-N-LOK(TM)	