

Rigid panel mounting socket retained in place by a nut, which accepts 4mm diameter plugs. Is suitable for panels up to 13,5mm thick. Connection is via a solder tag, although a solder bucket version is available.

MATERIAL SINGLE : Polypropylene

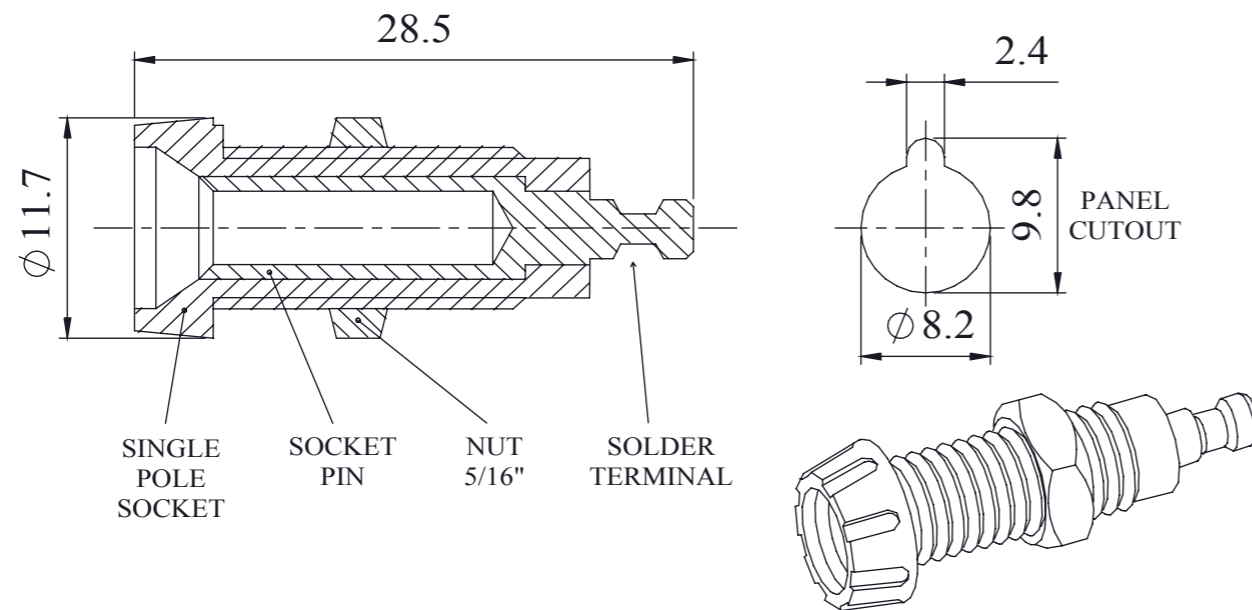
POLE SOCKET SOCKET PIN : Brass, BS2874 CZ121M silver plated

NUT : Brass, BS2874 nickel plated

Rating -
 Rated Current : 10A.
 Rated Voltage : 50V.

Nominal Working Voltage : 250 Volts R.M.S.
 Absolute Max. Rating : 1500 Volts D.C.
 Contact Resistance : less than 10 milli-ohms
 Torque Max : 0.4Nm

Dimensions



| COLOUR | ORDER CODE |
|--------|------------|
| BLACK | 551-0100 |
| BLUE | 551-0200 |
| BROWN | 551-0300 |
| GREEN | 551-0400 |
| RED | 551-0500 |
| WHITE | 551-0600 |
| YELLOW | 551-0700 |

PROPRIETARY AND CONFIDENTIAL
 THE INFORMATION CONTAINED IN THIS DRAWING IS THE SOLE PROPERTY OF DEM MANUFACTURING.
 ANY REPRODUCTION IN PART OR AS A WHOLE WITHOUT THE WRITTEN PERMISSION OF DEM MANUFACTURING IS PROHIBITED.

Drawn by SPB 21/05/09

FINISH:

THIRD ANGLE PROJECTION

DEBUR AND BREAK SHARP EDGES

IF IN DOUBT ASK DO NOT SCALE DRAWING

UNLESS OTHERWISE SPECIFIED: DIMENSIONS ARE IN MILLIMETRES

LINEAR TOLERANCES:

NO DECIMAL PLACES $\pm 0.5\text{mm}$
 1 DECIMAL PLACE $\pm 0.1\text{mm}$
 2 DECIMAL PLACES $\pm 0.03\text{mm}$

ANGULAR TOLERANCES: $\pm 1^\circ$

MATERIAL:

A3

TITLE: GENERAL SPECIFICATION FOR 551 SERIES

DWG NO. 551 SERIES

05 ISSUE

Mouser Electronics

Authorized Distributor

Click to View Pricing, Inventory, Delivery & Lifecycle Information:

[Deltron:](#)

[551-0100](#) [551-0500](#) [551-0700](#)