

NHD-C0216CZ-FSW-FBW-3V3

COG (Chip-on-Glass) Liquid Crystal Display Module

NHD-	Newhaven Display
C0216-	COG, 2 Lines x 16 Characters
CZ-	Model
F-	Transflective
SW-	Side White LED Backlight
F-	FSTN (+)
B-	6:00 Optimal View
W-	Wide Temperature
3V3-	3.3V LCD, 3V Backlight
	RoHS Compliant

Newhaven Display International, Inc.

2661 Galvin Ct.

Elgin IL, 60124

Ph: 847-844-8795

Fax: 847-844-8796

www.newhavendisplay.com

nhtech@newhavendisplay.com

nhsales@newhavendisplay.com

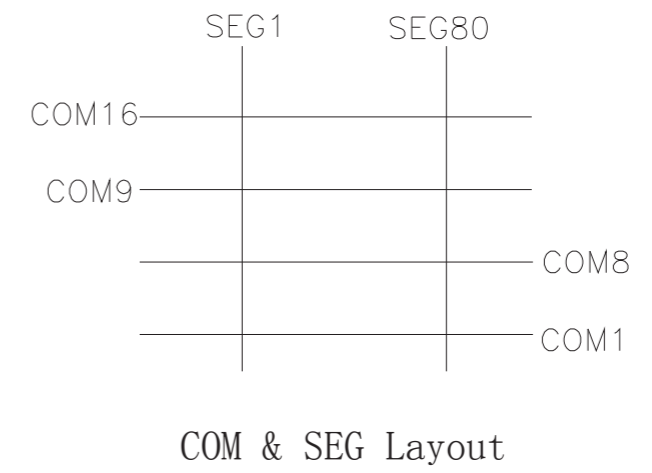
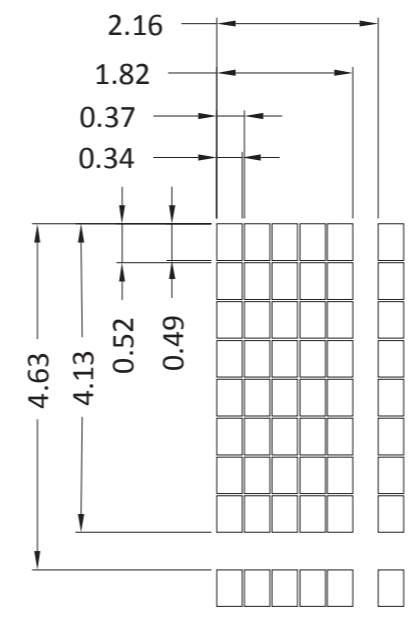
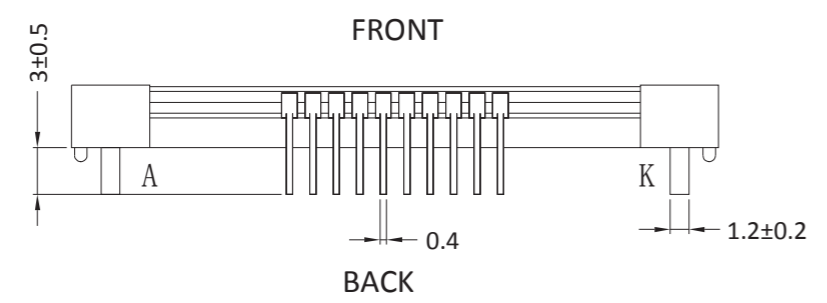
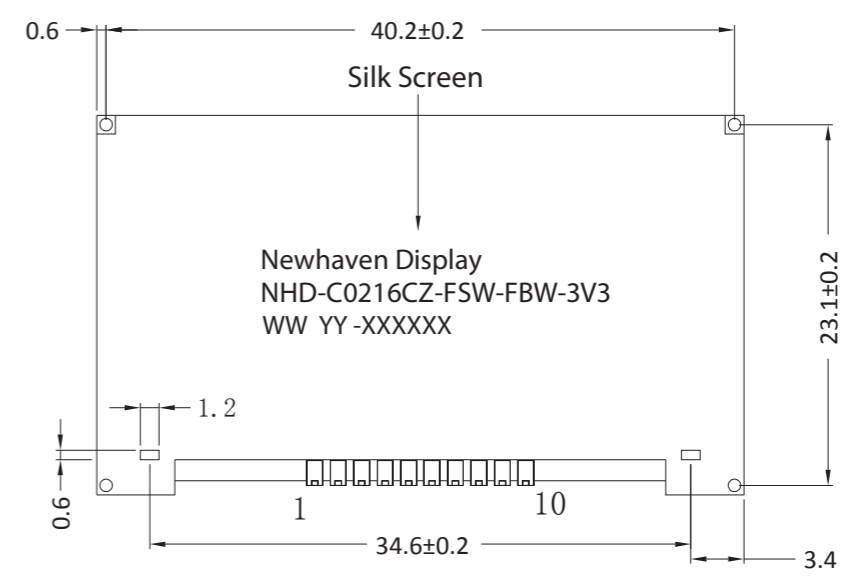
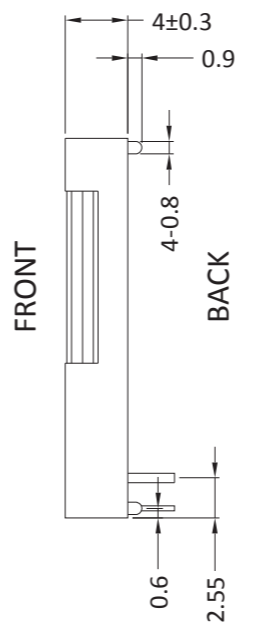
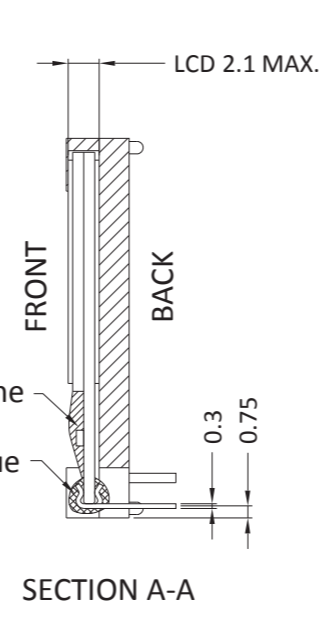
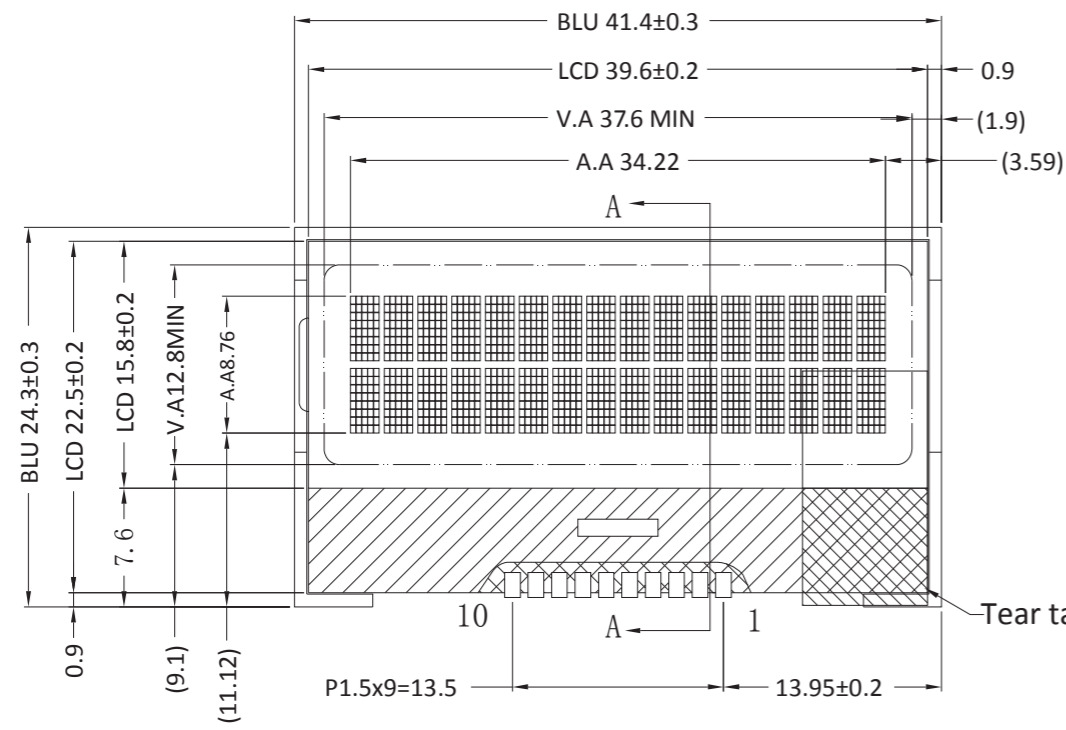
Document Revision History

Revision	Date	Description	Changed by
0	11/11/2008	Initial Release	-
1	8/26/2009	User guide reformat	BE
2	10/9/2009	Updated Electrical Characteristics	MC
3	10/22/2009	Font Table Revision	BE
4	10/27/2009	Updated the Block Diagram	MC
5	11/19/2009	Updated backlight supply current	MC
6	12/18/2009	Pin description updated	BE
7	3/2/2012	Interface information updated	AK
8	7/22/2013	Electrical characteristics updated	ML
9	12/10/2014	Recommended connector information updated	AK
10	10/20/16	Mechanical Drawing, Electrical & Optical Char. Updated	SB
11	1/20/17	P/N Printed on Back of Display, Electrical Char. Updated	SB
12	8/24/18	Supply Current Updated	SB
13	11/15/18	Updated Font Table for CGRAM	TM

Functions and Features

- 2 lines x 16 characters
- Built-in controller (ST7032)
- 5x8 dots with cursor
- 4-line serial interface
- 1/16 duty, 1/5 bias

SYMBOL	REVISION	DATE



Pin Assignment	
NO.	Symbol
1	RST
2	RS
3	CSB
4	SCL
5	SI
6	VSS
7	VDD
8	VOUT
9	C1+
10	C1-

- Notes:
- 1. Driver: 1/16 Duty, 1/5 Bias
 - 2. Voltage: 3.3V VDD, 5.5V VLCD
 - 3. Display Mode: FSTN Positive / Transflective
 - 4. Optimal View: 6:00
 - 5. Backlight: White LED
 - 6. Driver IC: ST7032-0D
 - 7. Interface: Serial

STANDARD TOLERANCES (UNLESS OTHERWISE SPECIFIED)
 LINEAR:
 XX. ±0.3 mm
 XX.X ±0.3 mm
 XX.XX ±0.3 mm

UNLESS OTHERWISE SPECIFIED
 - DIMENSIONS ARE IN MILLIMETERS
 - THIRD ANGLE PROJECTION

NEWHAVEN DISPLAY INTERNATIONAL
 DRAWING/PART NUMBER: NHD-C0216CZ-FSW-FBW-3V3
 REVISION: 1.0
 SIZE: A3
 SCALE: NS

APPROVED BY: S. Baxi
 DRAWN BY: S. Baxi
 CHECKED BY: S. Baxi
 APPROVED DATE: 08/24/18
 DRAWN DATE: 08/24/18
 CHECKED DATE: 08/24/18

DO NOT SCALE DRAWING
 SHEET 1 OF 1

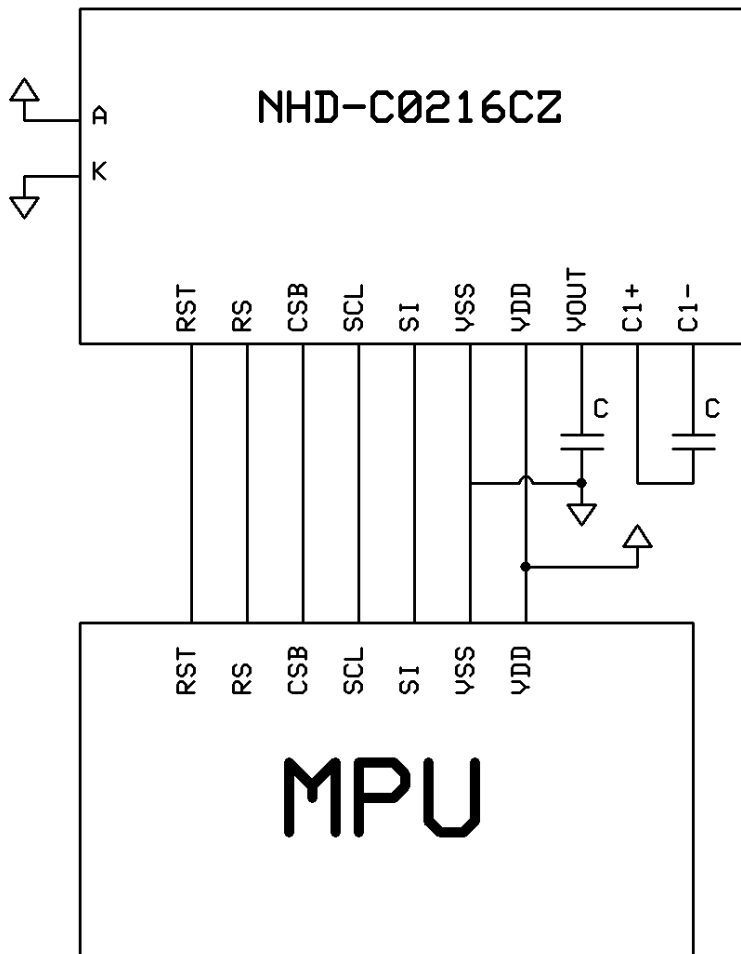
THIS DRAWING IS SOLELY THE PROPERTY OF NEWHAVEN DISPLAY INTERNATIONAL, INC. THE INFORMATION IT CONTAINS IS NOT TO BE DISCLOSED, REPRODUCED OR COPIED IN WHOLE OR PART WITHOUT WRITTEN APPROVAL FROM NEWHAVEN DISPLAY.

Pin Description and Wiring Diagram

Pin No.	Symbol	External Connection	Function Description
1	RST	MPU	Active LOW Reset Signal
2	RS	MPU	Register Select Signal. RS=0: instruction; RS=1: data
3	CSB	MPU	Active LOW Chip Select signal
4	SCL	MPU	Serial Clock
5	SI	MPU	Serial Input data
6	V _{SS}	Power Supply	Ground
7	V _{DD}		Power supply for logic for LCD (3.3V).
8	V _{OUT}		DC/DC voltage converter. Connect to 1uF capacitor to V _{DD} or V _{SS}
9	C1+	-	Voltage booster circuit. Connect to 0.47μF-2.2μF cap to PIN10.
10	C1-	-	Voltage booster circuit. Connect to 0.47μF-2.2μF cap to PIN9.
A	LED+	Power Supply	Backlight Anode (3.0V)
K	LED-	Power Supply	Backlight Cathode (Ground)

Recommended LCD connector: LCD pins should be soldered directly onto thru-hole connection on PCB

Backlight connector: Backlight pins should be soldered directly onto thru-hole connection on PCB



Electrical Characteristics

Item	Symbol	Condition	Min.	Typ.	Max.	Unit
Operating Temperature Range	T _{OP}	Absolute Max	-20	-	+70	°C
Storage Temperature Range	T _{ST}	Absolute Max	-30	-	+80	°C
Supply Voltage	V _{DD}	-	3.0	3.3	3.6	V
Supply Current	I _{DD}	V _{DD} = 3.3V	0.16	0.5	0.75	mA
Supply for LCD (contrast)	V _{LCD}	T _{OP} = 25°C	5.2	5.5	5.8	V
"H" Level input	V _{IH}	-	1.9	-	V _{DD}	V
"L" Level input	V _{IL}	-	V _{SS}	-	0.8	V
"H" Level output	V _{OH}	-	0.75 * V _{DD}	-	V _{DD}	V
"L" Level output	V _{OL}	-	V _{SS}	-	0.8	V
Backlight Supply Voltage	V _{LED}	-	3.0	3.1	3.2	V
Backlight Supply Current	I _{LED}	V _{LED} = 3.1V	10	30	36	mA

Optical Characteristics

Item	Symbol	Condition	Min.	Typ.	Max.	Unit
Optimal Viewing Angles	Top	CR ≥ 2	-	20	-	°
	Bottom		-	40	-	°
	Left		-	40	-	°
	Right		-	40	-	°
Contrast Ratio	CR	-	2	6	-	-
Response Time	Rise	T _{OP} = 25°C	-	200	300	ms
	Fall		-	250	350	ms

Controller Information

Built-in ST7032 Controller.

Please download specification at http://www.newhavendisplay.com/app_notes/ST7032.pdf

DDRAM Address

1	2	3	4	5	6	7	8	9	10	11	12	13	14	15	16
00	01	02	03	04	05	06	07	08	09	0A	0B	0C	0D	0E	0F
40	41	42	43	44	45	46	47	48	49	4A	4B	4C	4D	4E	4F

Table of Commands

Instruction	Instruction code										Description	Instruction Execution Time			
	RS	R/W	DB7	DB6	DB5	DB4	DB3	DB2	DB1	DB0		OSC=380kHz	OSC=540kHz	OSC=700kHz	
Clear Display	0	0	0	0	0	0	0	0	0	0	1	Write "20H" to DDRAM and set DDRAM address to "00H" from AC	1.08 ms	0.76 ms	0.59 ms
Return Home	0	0	0	0	0	0	0	0	0	1	X	Set DDRAM Address to "00H" from AC and return cursor to its original position if shifted. The contents of DDRAM are not changed.	1.08 ms	0.76 ms	0.59 ms
Entry Mode Set	0	0	0	0	0	0	0	0	1	I/D	S	Sets cursor move direction and specifies display shift. These parameters are performed during data write and read.	26.3 μs	18.5 μs	14.3 μs
Display ON/OFF	0	0	0	0	0	0	0	1	D	C	B	D=1: Entire display on C=1: Cursor on B=1: Blinking cursor on	26.3 μs	18.5 μs	14.3 μs
Function set	0	0	0	0	1	DL	N	DH	IS2	IS1		DL: Interface data is 8/4 bits N: Number of lines is 2/1 DH: Double Height Font IS 2-1: Instruction Table Select	26.3 μs	18.5 μs	14.3 μs
Set DDRAM Address	0	0	1	AC6	AC5	AC4	AC3	AC2	AC1	AC0		Set DDRAM address in address counter.	26.3 μs	18.5 μs	14.3 μs
Read busy Flag and Address	0	1	BF	AC6	AC5	AC4	AC3	AC2	AC1	AC0		Whether during internal operation or not can be known by reading BF. The contents of address counter can also be read.	0	0	0
Write data To Address	1	0	D7	D6	D5	D4	D3	D2	D1	D0		Write data into internal RAM (DDRAM/CGRAM).	26.3 μs	18.5 μs	14.3 μs
Read data From RAM	1	1	D7	D6	D5	D4	D3	D2	D1	D0		Read data from internal RAM (DDRAM/CGRAM/ICONRAM).	26.3 μs	18.5 μs	14.3 μs

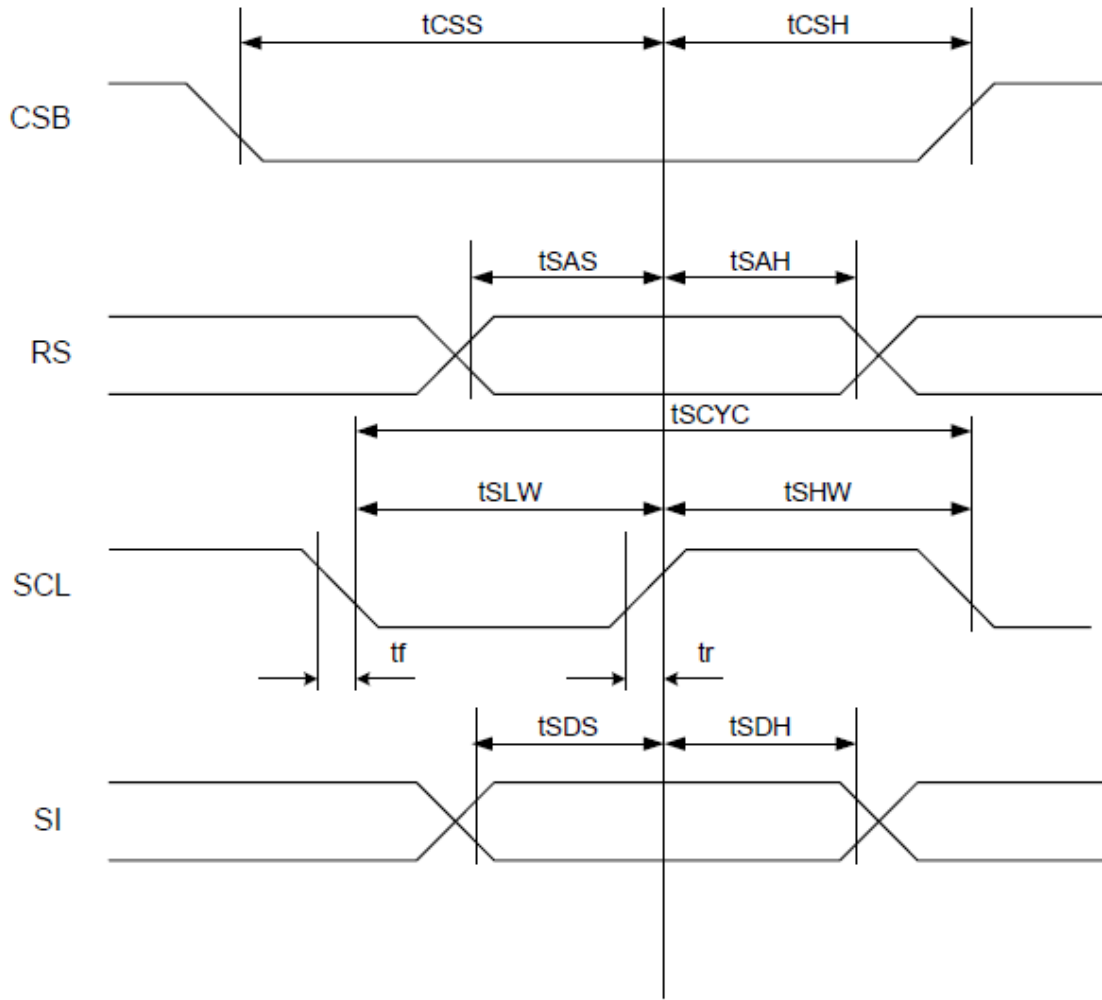
Instruction Table 0 (IS[2:1] = [0,0])															
Cursor or Display shift	0	0	0	0	0	1	S/C	R/L	X	X		Sets cursor moving and display shift control bit, and the direction without changing DDRAM data.	26.3 μs	18.5 μs	14.3 μs
Set CGRAM	0	0	0	1	AC5	AC4	AC3	AC2	AC1	AC0		Set CGRAM address in address counter	26.3 μs	18.5 μs	14.3 μs

Instruction Table 1 (IS[2:1] = [0,1])															
Internal OSC Frequency	0	0	0	0	0	1	BS	F2	F1	F0		BS = 1 : 1/4 bias BS= 0 : 1/5 bias F2-0 : Adjust internal OSC frequency for FR frequency	26.3 μs	18.5 μs	14.3 μs
Set ICON Address	0	0	0	1	0	0	AC3	AC2	AC1	AC0		Set ICON address in address counter	26.3 μs	18.5 μs	14.3 μs
Power/ICON control/Contrast set	0	0	0	1	0	1	Ion	Bon	C5	C4		Ion: ICON display on/off Bon: Set booster circuit on/off C5,C4: Contrast set for internal follower mode	26.3 μs	18.5 μs	14.3 μs
Follower Control	0	0	0	1	1	0	Fon	Rab ₂	Rab ₁	Rab ₀		Fon: Set follower circuit on/off Rab 2-0: select follower amplified ratio	26.3 μs	18.5 μs	14.3 μs
Contrast Set	0	0	0	1	1	1	C3	C2	C1	C0		Contrast set for internal follower mode.	26.3 μs	18.5 μs	14.3 μs

Instruction Table 2 (IS[2:1] = [0,0])															
Double Height Position Select	0	0	0	0	0	1	UD	X	X	X		UD: Double height position Select	26.3 μs	18.5 μs	14.3 μs
Reserved	0	0	0	1	X	X	X	X	X	X		Do not use (Reserved for Test)	26.3 μs	18.5 μs	14.3 μs

*Instruction Table 3 (IS[2,1] = [1,1]): Do not use (Reserved for Test)

Timing Characteristics



($T_a = 25^\circ\text{C}$)

Item	Signal	Symbol	Condition	VDD=2.7 to 4.5V Rating		VDD=4.5 to 5.5V Rating		Units
				Min.	Max.	Min.	Max.	
Serial Clock Period	SCL	t_{SCYC}	—	200	-	100	-	ns
SCL "H" pulse width		t_{SHW}		20	-	20	-	
SCL "L" pulse width		t_{SLW}		160	-	120	-	
SCL Rise/Fall time	SCL	t_r, t_f	—	-	20	-	20	ns
Address setup time	RS	t_{SAS}	—	10	-	10	-	ns
Address hold time		t_{SAH}		250	-	150	-	
Data setup time	SI	t_{SDS}	—	10	-	10	-	ns
Data hold time		t_{SDH}		10	-	20	-	
CS-SCL time	CS	t_{CSS}	—	20	-	20	-	ns
		t_{CSH}		350	-	200	-	

Built-In Font Table

ST7032-0D (ITO option OPR1=0, OPR2=0)

b7-b4 b3-b0	0000	0001	0010	0011	0100	0101	0110	0111	1000	1001	1010	1011	1100	1101	1110	1111	
0000	Replaced By CGRAM Pattern	0	1	2	3	4	5	6	7	8	9	A	B	C	D	E	
0001		F	G	H	I	J	K	L	M	N	O	P	Q	R	S	T	U
0010		V	W	X	Y	Z	[\]	^	_	`	{		}	~	
0011																	
0100																	
0101																	
0110																	
0111																	
1000	Replaced By CGRAM Pattern																
1001																	
1010																	
1011																	
1100																	
1101																	
1110																	
1111																	

Example Initialization Program

```
void init()
//initialize the LCD
{
  P3 = 1;
  P1 = 1;
  RST = 0;           //RESET
  delay(2);
  RST = 1;           //end reset
  delay(20);
  Writecom(0x30);    //wake up
  delay(2);
  Call writecom(0x30); //wake up
  Call writecom(0x30); //wake up
  Call writecom(0x39); //function set
  Call writecom(0x14); //internal osc frequency
  Call writecom(0x56); //power control
  Call writecom(0x6D); //follower control
  Call writecom(0x70); //contrast
  Call writecom(0x0C); //display on
  Call writecom(0x06); //entry mode
  Call writecom(0x01); //clear
  delay(10);
}

void writecom(int d)
{
  CS = 0;           //CS
  RS = 0;           //A0 = Command
  for(serialcounter = 1; serialcounter <= 8; serialcounter++) //send 8 bits
  {
    if((d&0x80)==0x80) //get only the MSB
      SI=1;           //if 1, then SI=1
    else
      SI=0;           //if 0, then SI=0
    d=(d<<1);        //shift data byte left
    SCL = 0;
    SCL = 1;
    SCL = 0;         //SCL
  }
  CS = 1;
}

void writedata(int d)
{
  CS = 0;           //CS
  RS = 1;           //A0 = Data
  for(serialcounter = 1; serialcounter <= 8; serialcounter++) //send 8 bits
  {
    if((d&0x80)==0x80) //get only the MSB
      SI=1;           //if 1, then SI=1
    else
      SI=0;           //if 0, then SI=0
    d=(d<<1);        //shift data byte left
    SCL = 0;
    SCL = 1;
    SCL = 0;         //SCL
  }
  CS = 1;
}
```

Quality Information

Test Item	Content of Test	Test Condition	Note
High Temperature storage	Endurance test applying the high storage temperature for a long time.	+80°C , 96hrs	2
Low Temperature storage	Endurance test applying the low storage temperature for a long time.	-30°C , 96hrs	1,2
High Temperature Operation	Endurance test applying the electric stress (voltage & current) and the high thermal stress for a long time.	+70°C , 96hrs	2
Low Temperature Operation	Endurance test applying the electric stress (voltage & current) and the low thermal stress for a long time.	-20°C , 96hrs	1,2
High Temperature / Humidity Operation	Endurance test applying the electric stress (voltage & current) and the high thermal with high humidity stress for a long time.	+40°C , 90% RH , 96hrs	1,2
Thermal Shock resistance	Endurance test applying the electric stress (voltage & current) during a cycle of low and high thermal stress.	-20°C,60min -> 25°C,5min -> 70°C,60min = 1 cycle 20 cycles	
Vibration test	Endurance test applying vibration to simulate transportation and use.	10-55Hz, 5G Acceleration. 60 sec in each of 3 directions X,Y,Z for 30 minutes	3
Static electricity test	Endurance test applying electric static discharge.	VS=8kV, RS=330Ω, CS=150pF five times	

Note 1: No condensation to be observed.

Note 2: Conducted after 4 hours of storage at 25°C, 0%RH.

Note 3: Test performed on product itself, not inside a container.

Precautions for using LCDs/LCMs

See Precautions at www.newhavendisplay.com/specs/precautions.pdf

Warranty Information and Terms & Conditions

http://www.newhavendisplay.com/index.php?main_page=terms

Mouser Electronics

Authorized Distributor

Click to View Pricing, Inventory, Delivery & Lifecycle Information:

[Newhaven Display:](#)

[NHD-C0216CZ-FSW-FBW-3V3](#)