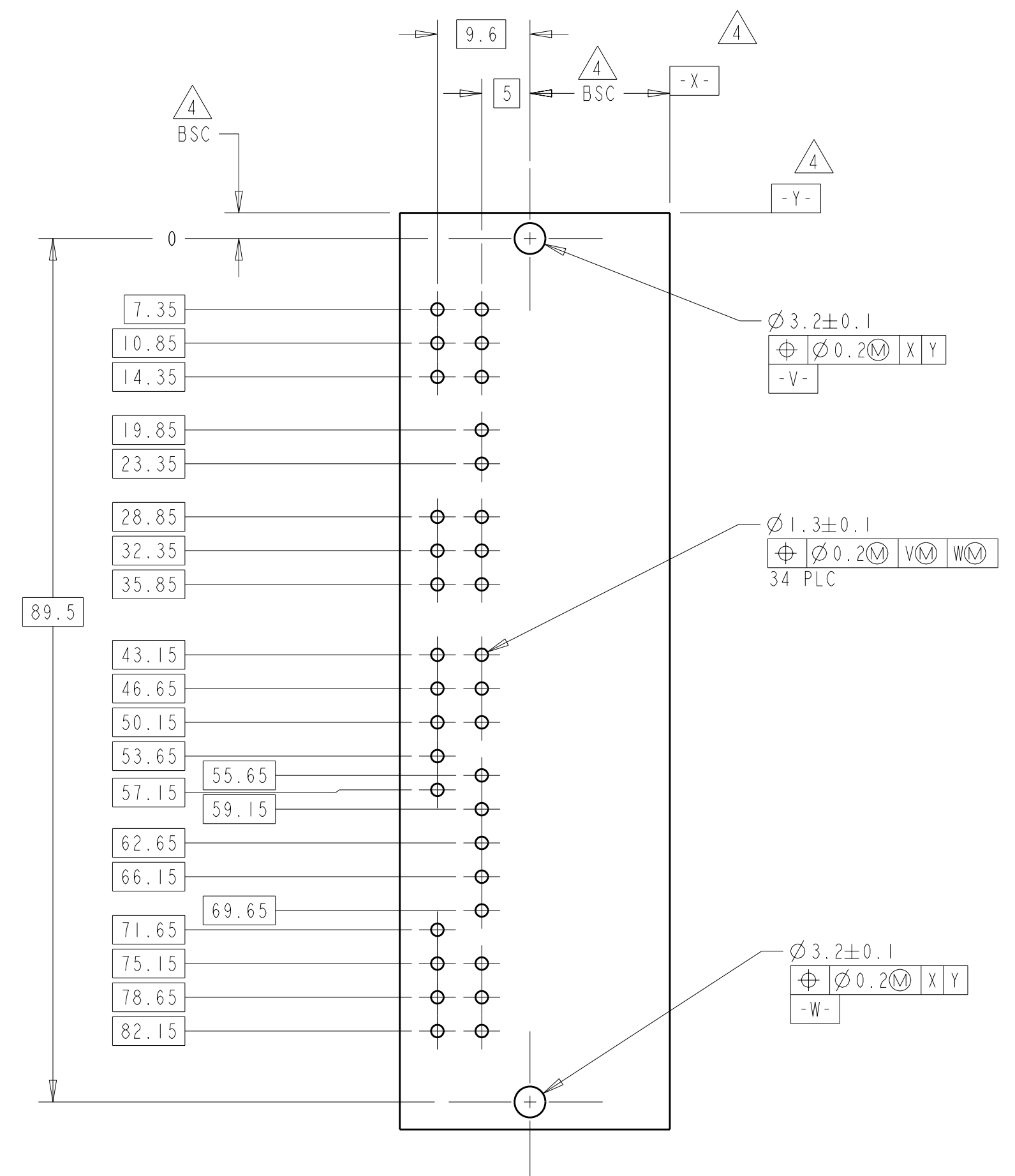
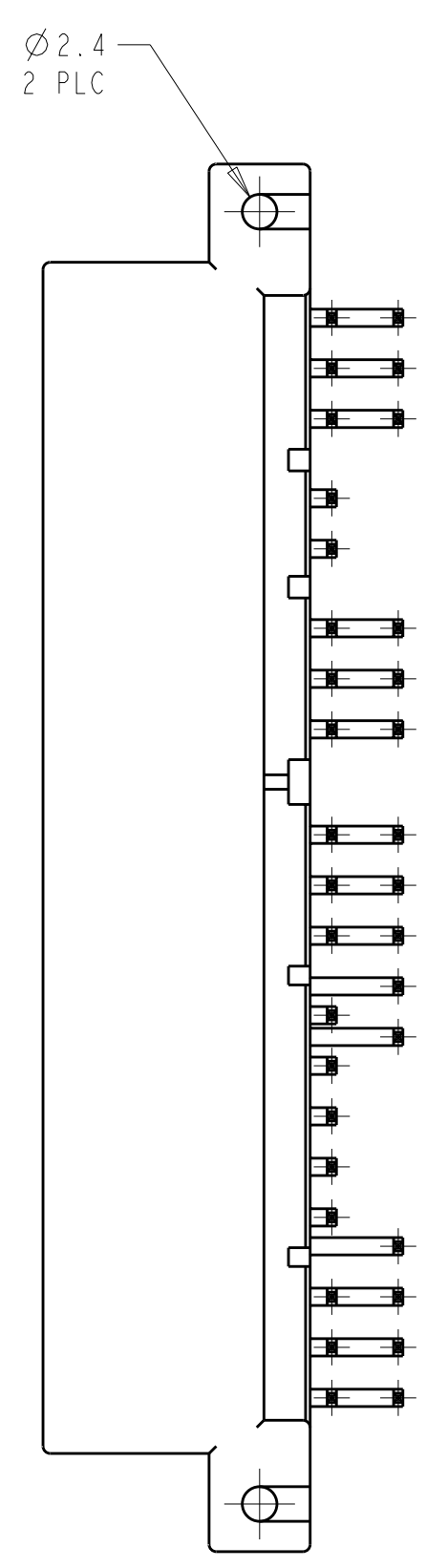
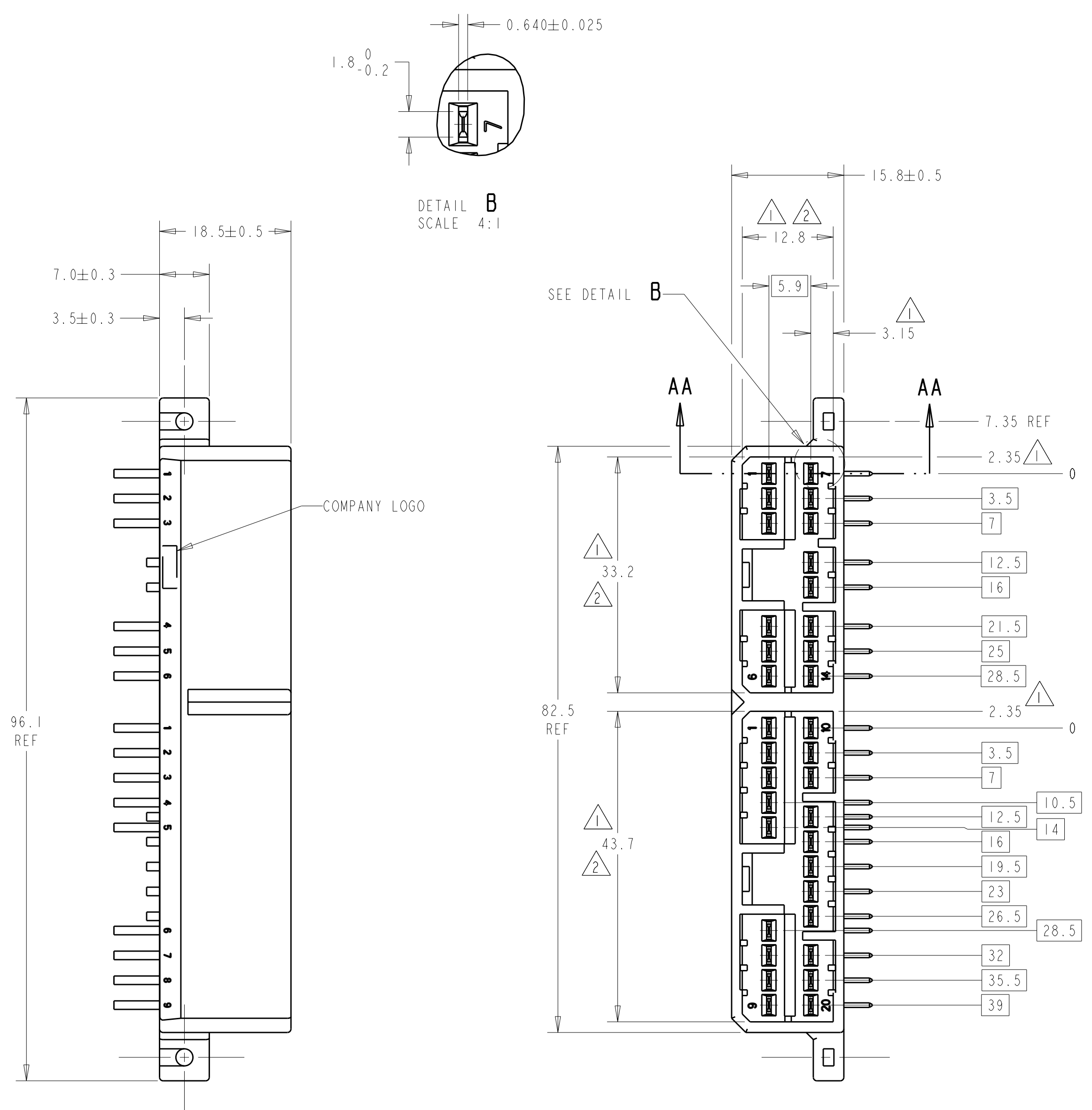
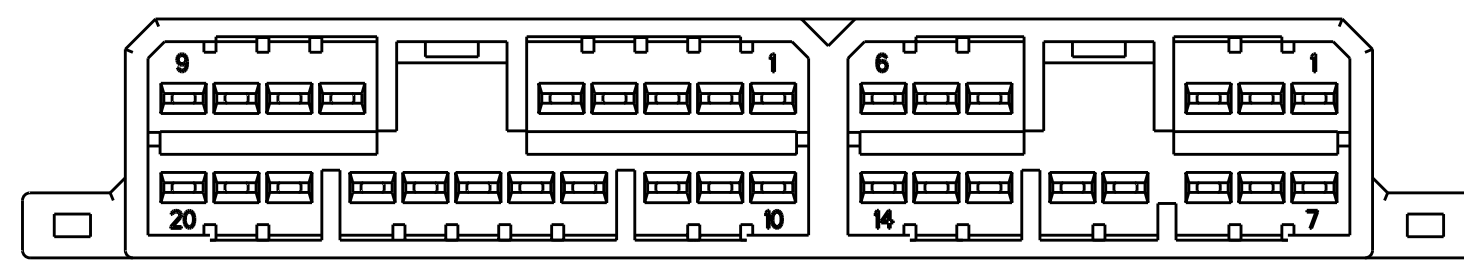


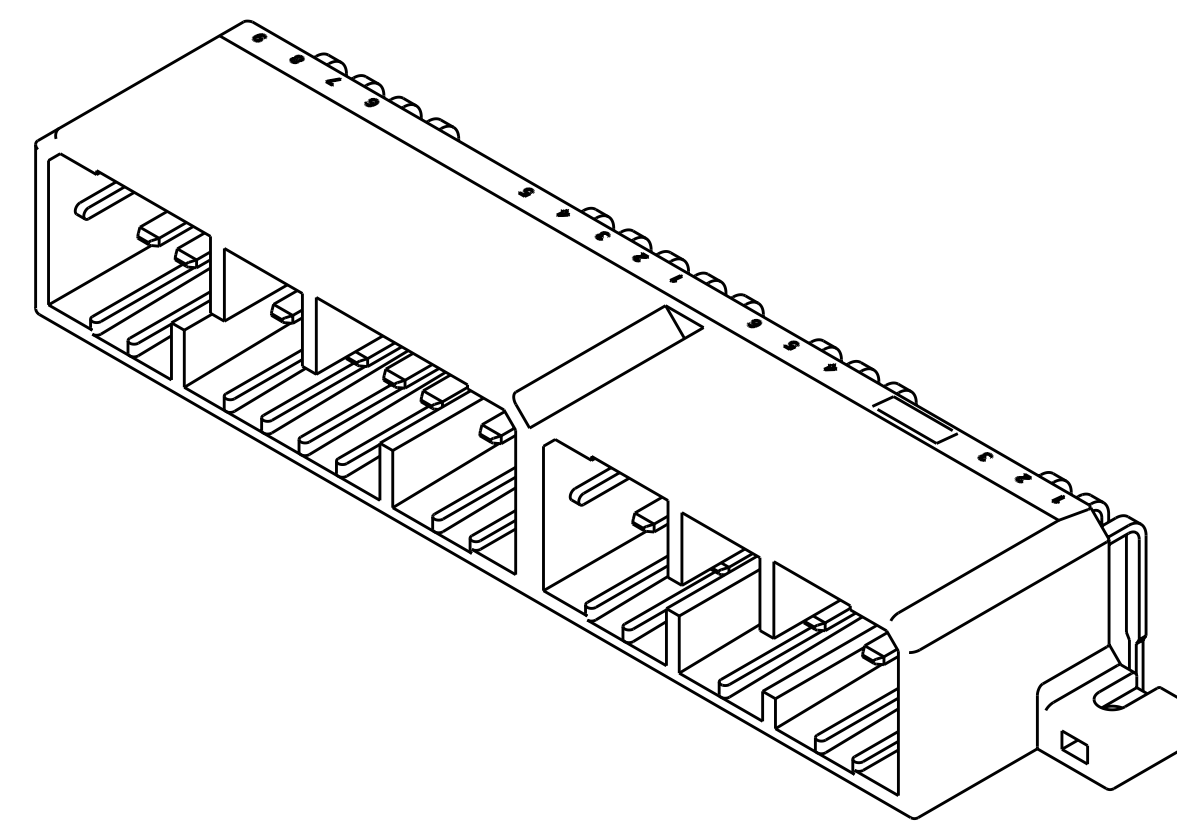
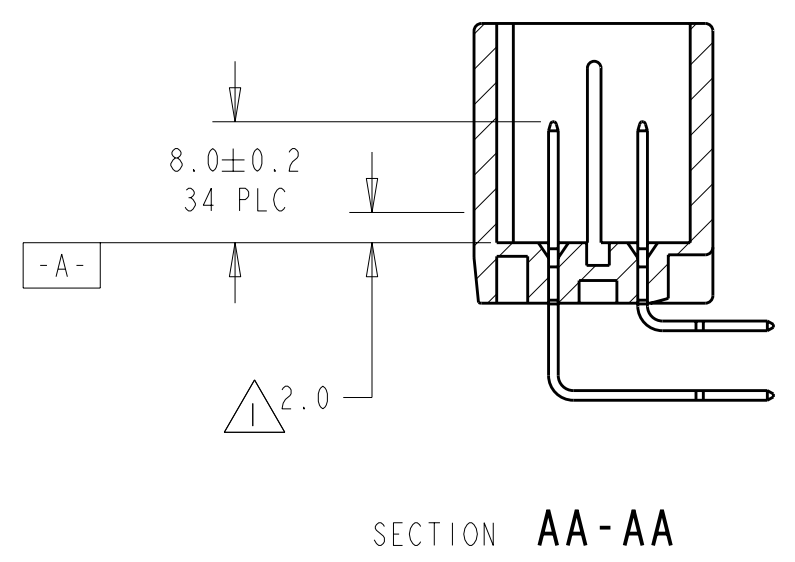
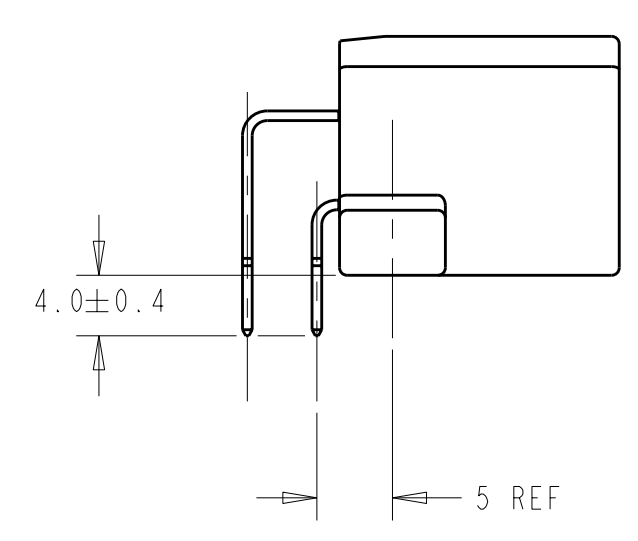
LOC	DIST	REV	DATE	BY	CHK	APPD
FX	00					

REV	DATE	DESCRIPTION	BY	CHK	APPD
C	31DEC2002	REV PER EC 0K80-0373-02	RGV	SSA	
C1	19MAY2003	REV PER EC 0K80-0139-03	DJA	SSA	
C2	21APR2010	REV PER ECR-10-008554	VSS	SA	

- △ DIMENSION MUST BE HELD BETWEEN $-A-$ AND 2.0mm FROM $-A-$.
- △ TO MATE WITH PLUG HOUSING SMOOTHLY.
3. USE M3x6 TAPPING SCREW JIS B1115 OR 1122 (TYPE 2 OR 4) BEFORE SOLDER. RECOMMENDED TORQUE: 0.39Nm MAX.
- △ DATUMS AND BASIC DIMENSIONS ESTABLISHED BY CUSTOMER.
5. MATING PLUG PART NUMBERS ARE:
173852 (14 POSITION)
174952 (20 POSITION)
6. CIRCUIT NUMBERS:



P.C. BOARD LAYOUT
 RECOMMENDED BOARD THICKNESS 1.60±0.15mm
 TOLERANCES ±0.1



CONTACT		HOUSING		PART NO	
BRASS	POST-TIN	PBT	WHITE	9-1438309-1	
MATERIAL		FINISH		MATERIAL COLOR	
CONTACT		HOUSING		PART NO	
DWN R. VESTAL 07NOV2001	CHK S. ASHLEY 07NOV2001	APVD S. ASHLEY 07NOV2001		NAME 34 POSITION CAP HOUSING ASSEMBLY, .070 SERIES, HORIZONTAL, MULTILOCK I/O CONNECTOR	
DIMENSIONS:		TOLERANCES UNLESS OTHERWISE SPECIFIED:		MATERIAL	
mm		9 PLC ±0.3		SEE TABLE	
		1 PLC ±0.3			
		5 PLC ±0.15			
		4 PLC ±			
		ANGLES ±1°			
FINISH		WEIGHT		RESTRICTED TO	
SEE TABLE		-		A 00779 C=1438309	
CUSTOMER DRAWING		SCALE 2:1		SHEET 1 OF 1 REV C2	

Mouser Electronics

Authorized Distributor

Click to View Pricing, Inventory, Delivery & Lifecycle Information:

[TE Connectivity:](#)

[9-1438309-1](#)