

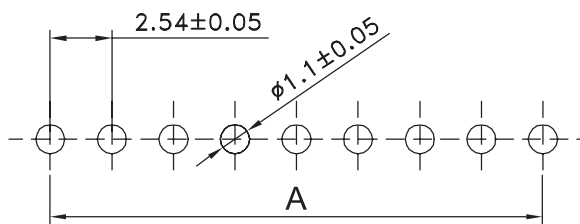
1

2

3

4

5



PCB LAYOUT - COMPONENT VIEW

TECHNICAL CHARACTERISTICS

MATERIAL

INSULATOR: PA6T
 FLAMABILITY RATING: UL94-V0
 COLOR: BLACK
 CONTACT MATERIAL: COPPER ALLOY
 CONTACT TYPE: STAMPED
 CONTACT PLATING: GOLD
 QUALITY CLASS: 3 AS PER CECC 75 301-802
 PITCH: 2.54MM

ENVIRONMENTAL

OPERATING TEMPERATURE: -40 UP TO 105°C
 COMPLIANCE: LEAD FREE AND ROHS

ELECTRICAL

CURRENT RATING: 3A
 WORKING VOLTAGE: 250V AC
 INSULATOR RESISTANCE: >1000 MOHM
 DIELECTRIC WITHSTANDING VOLTAGE: 500V AC/MN
 CONTACT RESISTANCE: 20 mOHM MAX

STANDARD

 CERTIFIED: E323964

SOLDERING

JEDEC LEAD FREE WAVE SOLDERING PROCESS

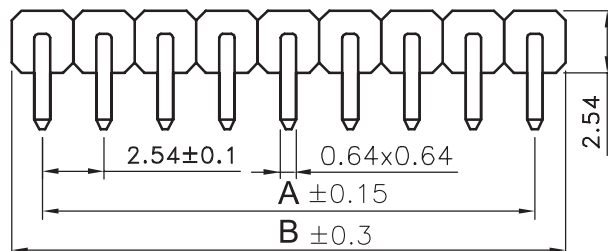
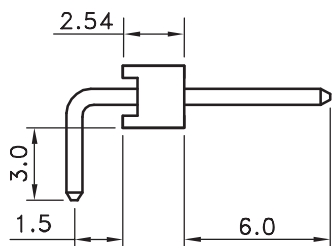
PACKAGING

BAG

DIMENSION

A = 2.54 x (NB. PIN -1)

B = 2.54 x NB. PIN



RoHS Compliant

PROJECTION:



GENERAL TOLERANCE

.X = ± 0.2

.XX = ± 0.15



APPROVAL: GMo

UNIT: MM

SCALE:

SHEET: 1/3

DRAW: PEARL

DESCRIPTION: 2.54MM ANGLED PIN HEADER

WERI PART NO: 613 0xx 110 21

SIZE

A4

I	15-JUN-15	PCN PA6T	AK				
H	14-SEP-10	DIMENSION	GG				
REV	DATE	FILE	BY				

1

2

3

4

5

Note:

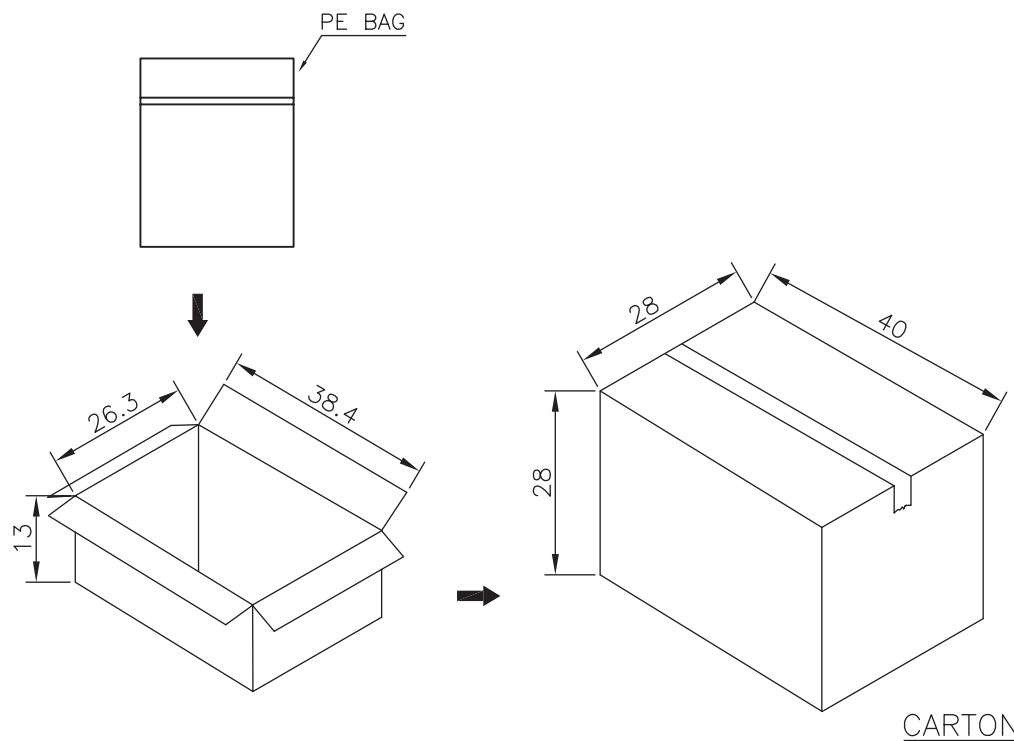
1.Dimension

Inner Carton Size:38.4*26.3*13(CM)

Carton Size:40*28*28(CM)

2.Quantity:

2 Inner Carton/Carton

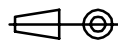


Pin	Pcs/Bag	Pcs/Inner Carton	Pcs/Carton	Pin	Pcs/Bag	Pcs/Inner Carton	Pcs/Carton
2	2000	30000	60000	22	200	4000	8000
3	2000	30000	60000	23	200	4000	8000
4	2000	30000	60000	24	200	4000	8000
5	1000	13000	26000	25	200	4000	8000
6	1000	13000	26000	26	200	4000	8000
7	1000	13000	26000	27	200	4000	8000
8	1000	13000	26000	28	200	4000	8000
9	1000	13000	26000	29	200	4000	8000
10	500	6000	12000	30	200	4000	8000
11	500	6000	12000	31	200	4000	8000
12	500	6000	12000	32	200	4000	8000
13	500	6000	12000	33	200	4000	8000
14	500	6000	12000	34	200	4000	8000
15	500	6000	12000	35	200	4000	8000
16	500	6000	12000	36	200	4000	8000
17	500	6000	12000	37	200	4000	8000
18	200	4000	8000	38	200	4000	8000
19	200	4000	8000	39	200	4000	8000
20	200	4000	8000	40	200	4000	8000
21	200	4000	8000				

RoHS Compliant

G			
F			
E			
D			
C			
B			
A		PDF	
REV	DATE	FILE	BY

PROJECTION:



GENERAL TOLERANCE

.X = +/- 0.2

.XX = +/- 0.15



APPROVAL: GMo

UNIT: MM

SCALE:

SHEET: 2/3

DRAW: PEARL

DESCRIPTION: 2.54MM ANGLED PIN HEADER

WERI PART NO: 613 0xx 110 21

SIZE

A4

1

2

3

4

5

Cautions and Warnings:

This electronic component is designed and developed with the intention for use in general electronics equipments.

Before incorporating the components into any equipments in the field such as aerospace, aviation, nuclear control, submarine, transportation, (automotive control, train control, ship control), transportation signal, disaster prevention, medical, public information network etc. where higher safety and reliability are especially required or if there is possibility of direct damage or injury to human body, Würth Elektronik must be asked for a written approval.

In addition, even electronic component in general electronic equipments, when used in electrical circuits that require high safety, reliability functions or performance, the sufficient reliability evaluation-check for the safety must be performed before by the user before usage.

A

B

C

RoHS Compliant

G				PROJECTION: 	GENERAL TOLERANCE .X = +/- 0.2 .XX = +/- 0.15		
F							
E							
D							
C				APPROVAL: JC	UNIT: MM	DESCRIPTION: DISCLAIMER	SIZE A4
B					SCALE:		
A	10-SEP-14	PDF	QL		SHEET: 3/3	WERI PART NO: DISCLAIMER	
REV	DATE	FILE	BY		DRAW: QL		

D

Mouser Electronics

Authorized Distributor

Click to View Pricing, Inventory, Delivery & Lifecycle Information:

Würth Electronics:

[61301011021](#) [61303211021](#) [61300711021](#) [61304011021](#) [61300311021](#) [61300811021](#) [61303411021](#)
[61301411021](#) [61300411021](#) [61301811021](#) [61301211021](#) [61300211021](#) [61302211021](#) [61300911021](#) [61300511021](#)
[61300611021](#) [61301611021](#) [61303611021](#)