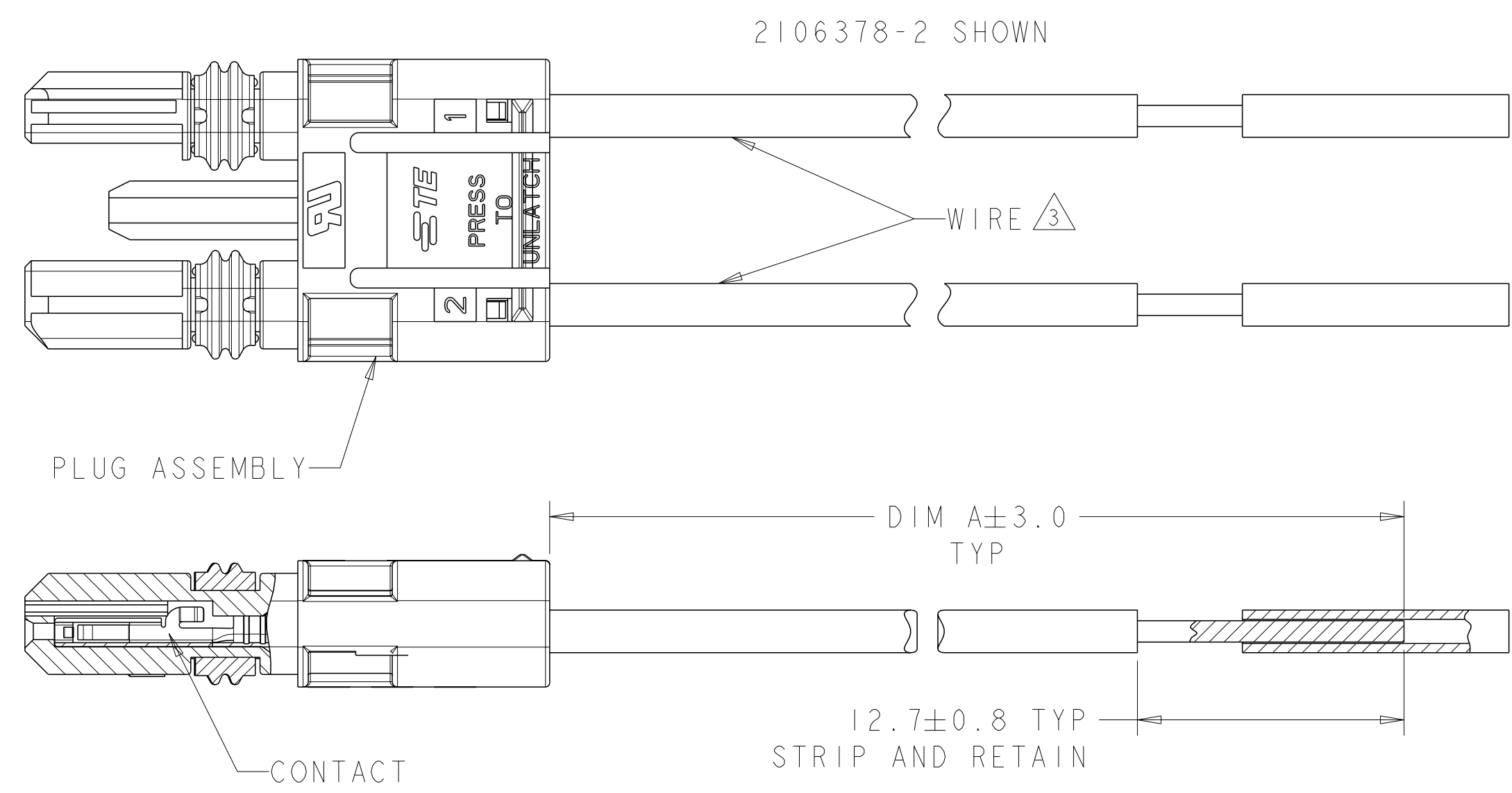
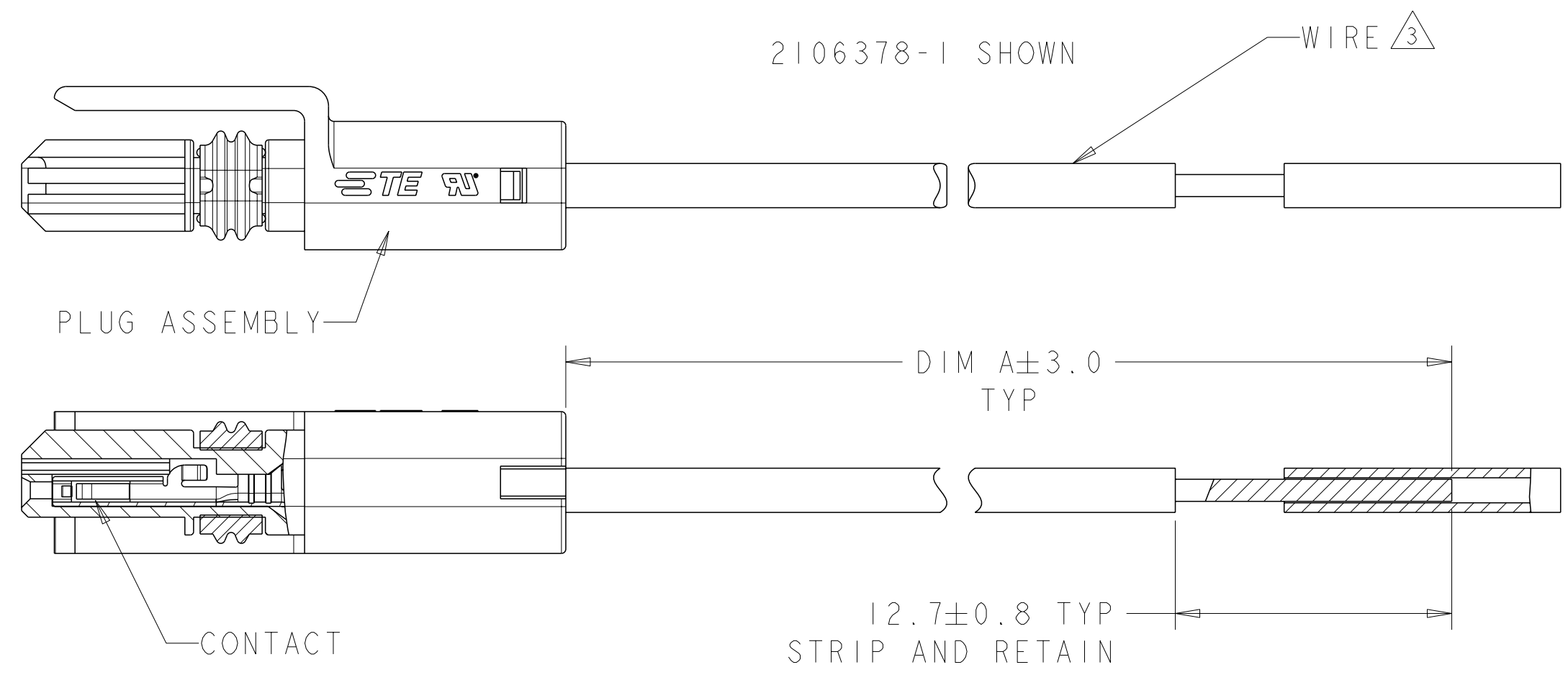


THIS DRAWING IS UNPUBLISHED. RELEASED FOR PUBLICATION 20  
 © COPYRIGHT 20 BY - ALL RIGHTS RESERVED.

LOC		DIST		REVISIONS			
P	LTR	DESCRIPTION	DATE	DWN	APVD		
	H	ECR-14-017704	13NOV2013	TB	DM		
	J	ECR-14-004110	18MAR2014	JX	DM		



WIRE COLOR CHART

4	-	-	-	BLUE	-	-	BLUE	-	-	BLUE	-	-	BLUE	-	-	BLUE	-	-	BLUE	-	-	BLUE	-	-	BLUE	-
3	-	-	WHITE	WHITE	-	WHITE	WHITE	-	WHITE	WHITE	-	WHITE	WHITE	-	WHITE	WHITE	-	WHITE	WHITE	-	WHITE	WHITE	-	WHITE	WHITE	-
2	-	RED	RED	RED	RED	RED	RED	RED	RED	RED	RED	RED	RED	RED	RED	RED	RED	RED	RED	RED	RED	RED	RED	RED	RED	BLACK
1	BLACK	BLACK	BLACK	BLACK	BLACK	BLACK	BLACK	BLACK	BLACK	BLACK	BLACK	BLACK	BLACK	BLACK	BLACK	BLACK	BLACK	BLACK	BLACK	BLACK	BLACK	BLACK	BLACK	BLACK	BLACK	RED
POS	-1	-2	-3	-4	-5	-6	-7	-8	-9	-10	-11	-12	-13	-14	-15	-16	-17	-18	-19	-20	-21	-22	-23	-24	-25	-26

4	-	-	-	-	-	-	BLUE	-	-	-																
3	-	-	-	-	-	-	WHITE	-	-	BLACK																
2	-	RED	-	-	RED	-	RED	RED	RED	BLUE																
1	-	BLACK	-	-	BLACK	-	BLACK	BLACK	BLACK	RED																
POS	-27	-28	-29	-30	-31	-32	-33	-34	-35	-36																

- ⚠ MATERIALS AND FINISH:  
 -CONTACTS: COPPER ALLOY  
 FINISH: TIN IN CONTACT AREA OVER NICKEL UNDERPLATE  
 -WIRE: 18 AWG, STRANDED, UL 1007 STYLE
- 2. MUST COMPLY WITH DIRECTIVE 2002/95/EC (ROHS)
- ⚠ REFERENCE CHART FOR SPECIFIC WIRE COLOR/POSITION.
- ⚠ CONTACTS 0.000381 THK GOLD STRIPE PRE-PLATED STOCK, REF.

45.0	20AWG	4	3-2106378-6
2000.0	20 AWG	2	3-2106378-5
5000.0	18 AWG	2	3-2106378-4
⚠ 304.8	20 AWG	4	3-2106378-3
⚠ 304.8	20 AWG	2	3-2106378-1
⚠ 101.6	20 AWG	2	2-2106378-8
381.0	18 AWG	2	2-2106378-6
304.8	24 AWG	4	2-2106378-5
304.8	24 AWG	3	2-2106378-4
304.8	24 AWG	2	2-2106378-3
101.6	24 AWG	4	2-2106378-2
101.6	24 AWG	3	2-2106378-1
101.6	24 AWG	2	2-2106378-0
304.8	22 AWG	4	1-2106378-9
304.8	22 AWG	3	1-2106378-8
304.8	22 AWG	2	1-2106378-7
101.6	22 AWG	4	1-2106378-6
101.6	22 AWG	3	1-2106378-5
101.6	22 AWG	2	1-2106378-4
304.8	20 AWG	4	1-2106378-3
304.8	20 AWG	3	1-2106378-2
304.8	20 AWG	2	1-2106378-1
101.6	20 AWG	4	1-2106378-0
101.6	20 AWG	3	2106378-9
101.6	20 AWG	2	2106378-8
304.8	18 AWG	4	2106378-7
304.8	18 AWG	3	2106378-6
304.8	18 AWG	2	2106378-5
101.6	18 AWG	4	2106378-4
101.6	18 AWG	3	2106378-3
101.6	18 AWG	2	2106378-2
101.6	18 AWG	1	2106378-1
DIM A	WIRE SIZE	POSN	PART NO.

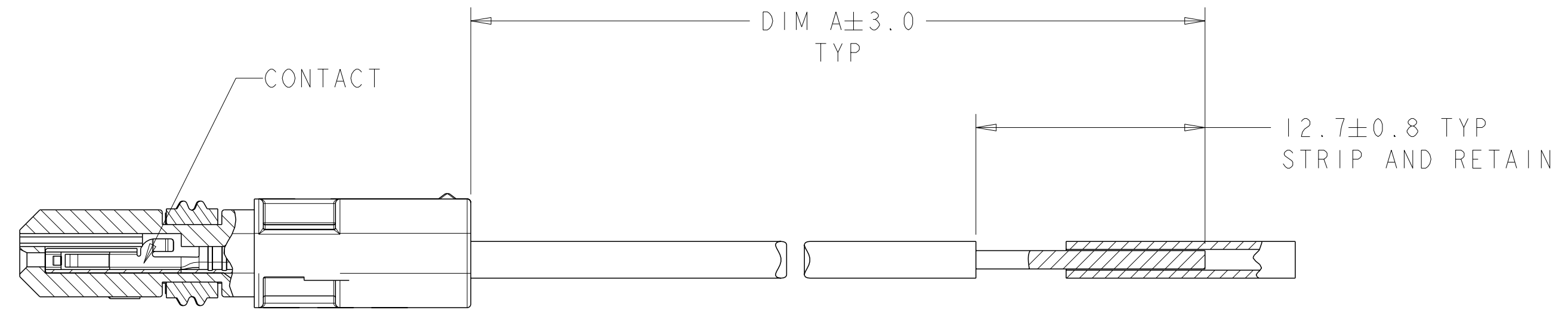
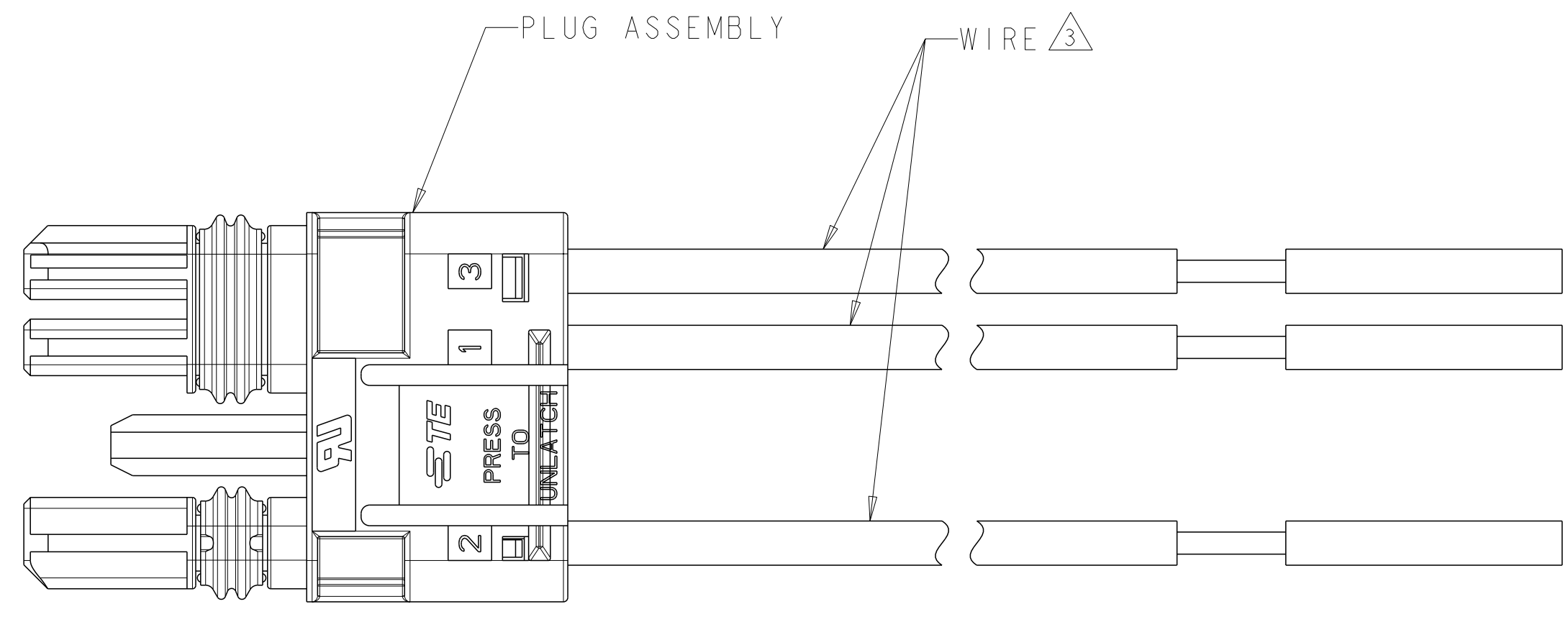
THIS DRAWING IS A CONTROLLED DOCUMENT.

DIMENSIONS: mm	TOLERANCES UNLESS OTHERWISE SPECIFIED: 0 PLC ± 1 PLC ±0.2 2 PLC ± 3 PLC ± 4 PLC ± ANGLES ± FINISH	DWN R BROWN 16APR2009 CHK M MOSTOLLER 16APR2009 APVD M MOSTOLLER 16APR2009	NAME CABLE ASSEMBLY, PLUG, SLIMSEAL SSL CONNECTOR
MATERIAL		PRODUCT SPEC	RESTRICTED TO
		APPLICATION SPEC	SIZE CAGE CODE DRAWING NO
		WEIGHT	A200779 C-2106378
		CUSTOMER DRAWING	SCALE SHEET OF 4 REV J


STE TE Connectivity

THIS DRAWING IS UNPUBLISHED. RELEASED FOR PUBLICATION 20  
 © COPYRIGHT 20 BY - ALL RIGHTS RESERVED.

LOC	DIST	REVISIONS			
P	LTR	DESCRIPTION	DATE	DWN	APVD
-	-	SEE SHEET 1	-	-	-

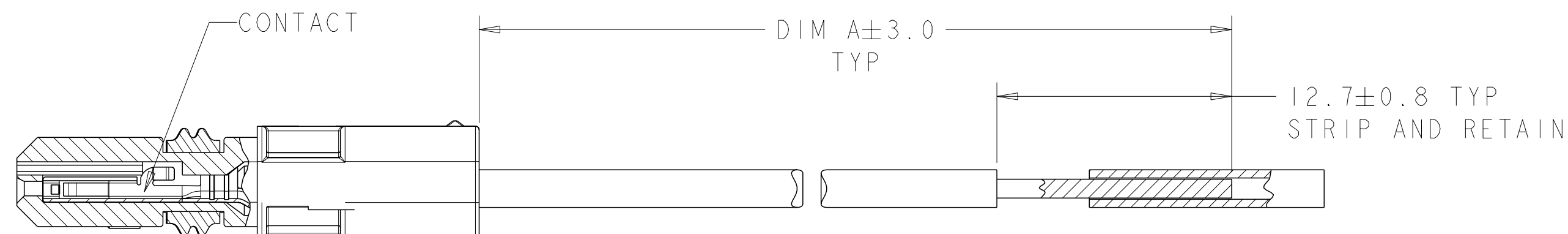
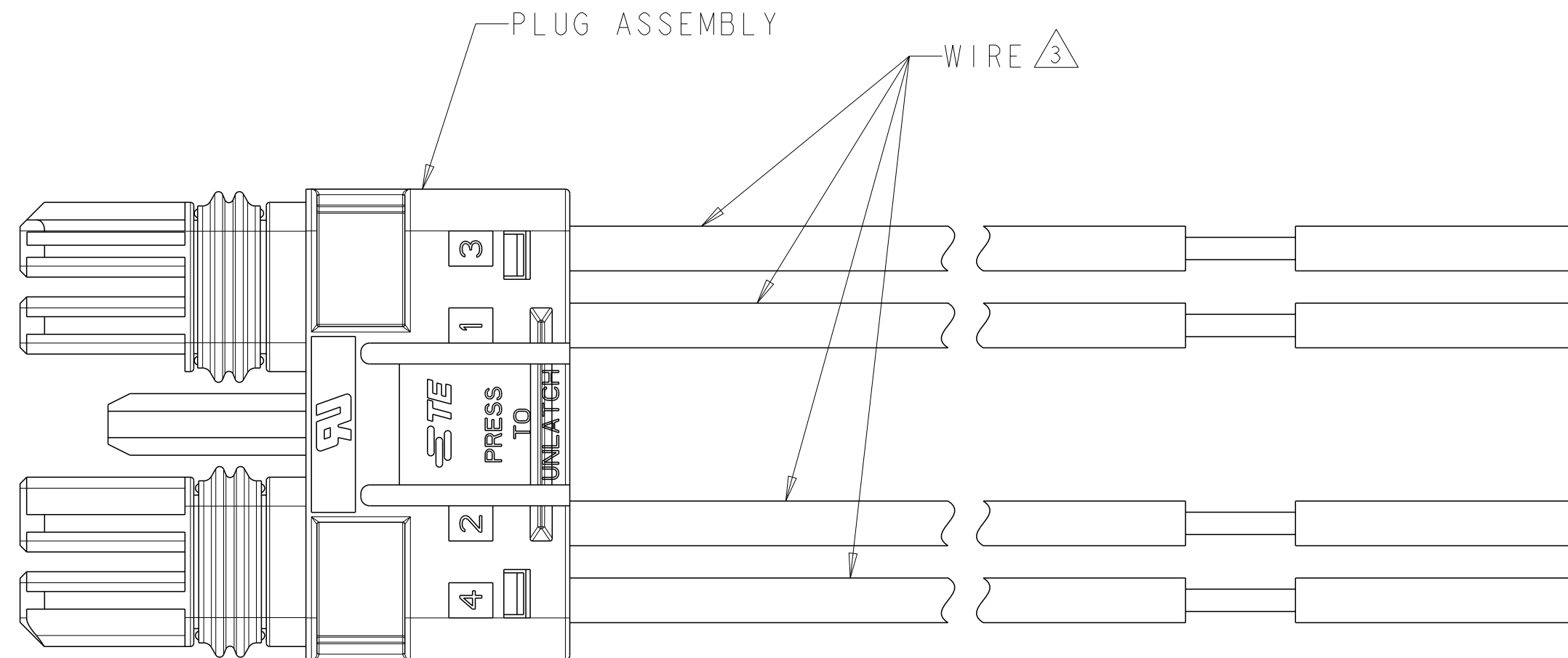


2106378-3 SHOWN


THIS DRAWING IS A CONTROLLED DOCUMENT.		DWN R BROWN 16APR2009	 TE Connectivity	
DIMENSIONS: mm		CHK M MOSTOLLER 16APR2009		
TOLERANCES UNLESS OTHERWISE SPECIFIED:		APVD M MOSTOLLER 16APR2009	NAME CABLE ASSEMBLY, PLUG, SLIMSEAL SSL CONNECTOR	
0 PLC ±- 1 PLC ±0.2 2 PLC ±- 3 PLC ±- 4 PLC ±- ANGLES ±- FINISH ±-		PRODUCT SPEC -	SIZE A200779	
MATERIAL -		APPLICATION SPEC -	DRAWING NO C-2106378	RESTRICTED TO -
-		WEIGHT -	SCALE 1:1	SHEET 2 OF 4
-		CUSTOMER DRAWING	REV J	

THIS DRAWING IS UNPUBLISHED. RELEASED FOR PUBLICATION 20  
 © COPYRIGHT 20 BY - ALL RIGHTS RESERVED.

LOC	DIST	REVISIONS					
GP	00	P	LTR	DESCRIPTION	DATE	DWN	APVD
		-		SEE SHEET 1	-	-	-

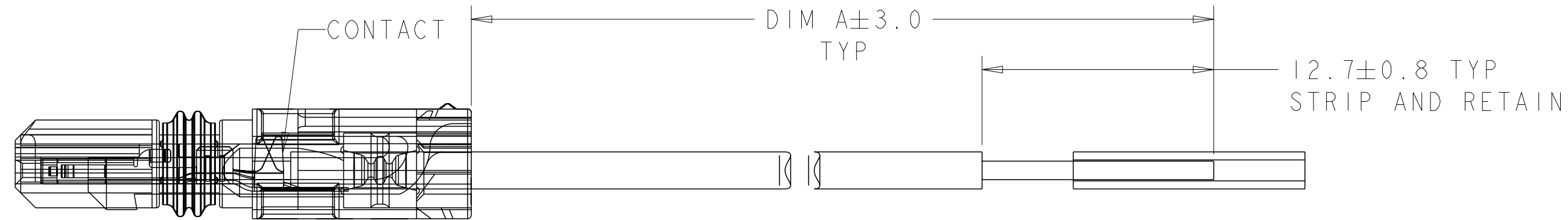
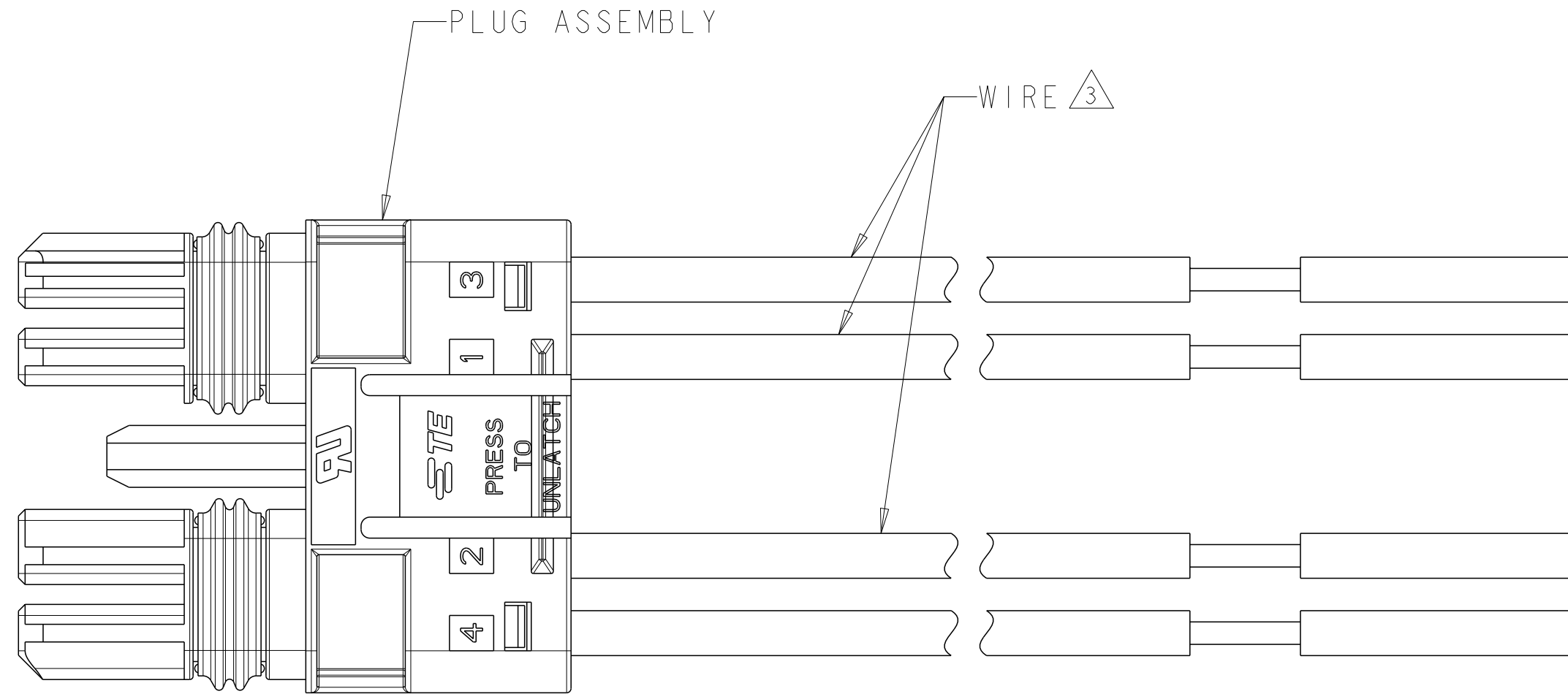


2106378-4 SHOWN

THIS DRAWING IS A CONTROLLED DOCUMENT.		DWN R BROWN 16APR2009	 TE Connectivity	
DIMENSIONS: mm		CHK M MOSTOLLER 16APR2009		
TOLERANCES UNLESS OTHERWISE SPECIFIED:		APVD M MOSTOLLER 16APR2009	NAME CABLE ASSEMBLY, PLUG, SLIMSEAL SSL CONNECTOR	
0 PLC ±- 1 PLC ±0.2 2 PLC ±- 3 PLC ±- 4 PLC ±- ANGLES ±- FINISH ±-		PRODUCT SPEC -	RESTRICTED TO -	
MATERIAL -		APPLICATION SPEC -	WEIGHT -	SIZE A200779
		CUSTOMER DRAWING	SCALE 1:1	DRAWING NO C-2106378
			SHEET 3	OF 4
			REV J	

THIS DRAWING IS UNPUBLISHED. RELEASED FOR PUBLICATION 20  
 © COPYRIGHT 20 BY - ALL RIGHTS RESERVED.

LOC	DIST	REVISIONS					
GP	00	P	LTR	DESCRIPTION	DATE	DWN	APVD
		-		SEE SHEET 1	-	-	-



ALL WIRES ARE 20AWG  
 3-2106378-6 SHOWN

THIS DRAWING IS A CONTROLLED DOCUMENT.		DWN R BROWN 16APR2009	TE Connectivity	
DIMENSIONS: mm		CHK M MOSTOLLER 16APR2009		
TOLERANCES UNLESS OTHERWISE SPECIFIED:		APVD M MOSTOLLER 16APR2009	NAME CABLE ASSEMBLY, PLUG, SLIMSEAL SSL CONNECTOR	
0 PLC ±- 1 PLC ±0.2 2 PLC ±- 3 PLC ±- 4 PLC ±- ANGLES ±- FINISH ±-		PRODUCT SPEC -	SIZE A200779	
MATERIAL -		APPLICATION SPEC -	DRAWING NO C-2106378	RESTRICTED TO -
		WEIGHT -	SCALE 1:1	
		CUSTOMER DRAWING	SHEET 4 OF 4 REV J	

# Mouser Electronics

Authorized Distributor

Click to View Pricing, Inventory, Delivery & Lifecycle Information:

[TE Connectivity:](#)

[2106378-4](#)