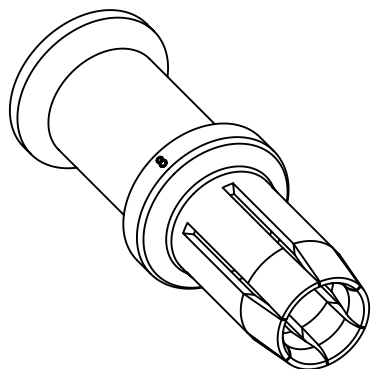



assembly notes see catalog
 crimp zone acc. to DIN EN 46235; indicator 8
 for stranded fine wire acc. to VDE 0295 class 5/IEC 60228 class 5
 wire gauge: 16mm²
 stripping length: 15,5mm



	All Dimensions in mm Original Size DIN A4	Scale	Free size tol.		Ref.
		2:1			Sub.
All rights reserved Department EL PD - DE	Created by RULLKOETTER	Inspected by	Standardisation	Date	State
		SCHNIEDER	SCHMIDTM	2015-01-09	Final Release
HARTING Electric GmbH & Co. KG D-32339 Espelkamp	Title Han TC70 female contact 16mm ²				Doc-Key / ECM-Nr. 100183946/UGD/005/B 500000083148
	Type	Number		Rev.	Page
TB	09 11 000 6232		B	1/1	

Mouser Electronics

Authorized Distributor

Click to View Pricing, Inventory, Delivery & Lifecycle Information:

[HARTING:](#)

[09110006232](#)