

TABLE OF CONTENTS	
SHEET NO.	SHEET DESCRIPTION
1	NOTES AND BOM
2	CONFIGURATIONS
3-4	KEY CONFIGURATIONS
5	RECEPTACLE CONNECTOR ASSEMBLY
6	BACKSHELL NOTES
7	BACKSHELL
8	BACKSHELL CONFIGURATIONS
9	2X10 CONNECTOR INTERFACE DEFINITION

NOTES: VALID UNLESS OTHERWISE SPECIFIED

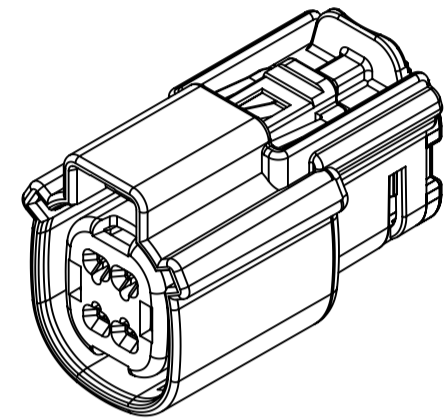
1. GENERAL:
- a. APPLICATION SPECIFICATION SEE: AS-33472-100
- CONTAINS: PRODUCT INTRODUCTION, PRODUCT SUMMARY, CONNECTOR ASSEMBLY, PACKAGING INFORMATION, CONNECTOR MATING, SERVICE INSTRUCTIONS, ELECTRICAL CONTINUITY CHECKING, CRIMPING, AND TROUBLESHOOTING.
 - DESIGNED TO MATE WITH DEVICE OR CONNECTOR AS SPECIFIED IN THE MATING INTERFACE/CONNECTOR DRAWINGS CHART.
 - *DENOTES DRAWINGS THAT CAN BE ACCESSED AT <<http://ewcap.uscarteams.org/>>.
 - ASSEMBLY SHIPPED WITH PLR IN PRE-LOCK POSITION (SEE PLR PRE-LOCK VIEW SHEET 5).
- b. PRODUCT SPECIFICATION SEE:
- STANDARD CONFIGURATION (STD): PS-33472-000
 - TRANSMISSION CONFIGURATION (TRNS):
 - CONTAINS SILICONE: TS-160038-0001
 - SILICONE FREE: TBD
 - UL V0 CONFIGURATION (UL V0): TBD
 - CONTAINS: PRODUCT INTRODUCTION, PRODUCT SUMMARY, RATINGS (CURRENT, TEMPERATURE, SEALING, AND FLAMMABILITY), TERMINALS, WIRE DIAMETER RANGE, PRODUCT VALIDATION, AND PRODUCT DEVIATIONS.
- c. PACKAGING SPECIFICATION PER MOLEX DRAWING: SEE PACKAGING CHART
- d. PARTS MUST BE IN COMPLIANCE TO MOLEX CHEMICAL SUBSTANCES FOR PRODUCTS AND PACKAGING SPECIFICATION: QEHS-699000-301
- e. DATA MUST BE SUBMITTED UNDER THE MOLEX PART NUMBER TO IMDS (COMPANY ID#13255)

2. DESIGN - MATERIALS:
- a. FOR BILL OF MATERIALS SEE:
- STANDARD CONFIGURATION SD-33472-0002
 - TRANSMISSION CONGRURATION
 - CONTAINS SILICONE: SD-160038-0002
 - SILICONE FREE: SD-160092-0002
 - UL V0 CONFIGURATION SD-160074-0002
- b. TRANSMISSION CONNECTOR COMPONENTS MUST MEET THE MATERIAL REQUIREMENTS SPECIFIED IN TS-160038-0001 & TBD

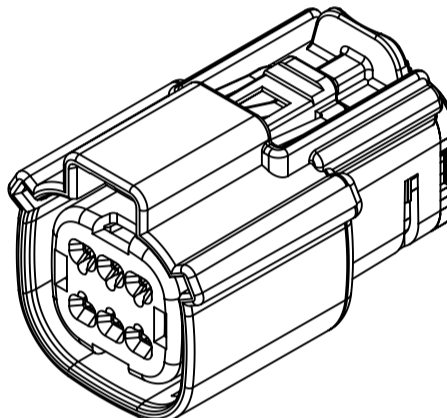
3. DESIGN - GEOMETRY:
- a. THE 3-D CAD DATA IS BASIC (WITHOUT TOLERANCE) AND MASTER FOR THIS PART WITH THE EXCEPTION OF UNDERLINED DIMENSIONS. DIMENSIONAL INFORMATION NOT SHOWN ON THIS DRAWING IS DEFINED BY THE DATA FILE AT ITS LATEST REVISION.
- b. GEOMETRIC DIMENSIONS AND TOLERANCES PER ASME Y14.5M-2009
- c. EDGES AND UNDIMENSIONED DETAILS PER ISO13715
- d. CORNERS SHOWN AS SHARP TO BE R 0.2 MAX.
- e. LETTERING SHALL BE 0.15 MAX RAISED IN 0.25 MAX RECESS PAD. THIS INCLUDES RECYCLING CODE, CAVITY ID, VENDOR IDENTIFICATION, AND CUSTOMER MATERIAL NUMBER.
- f. VISUAL DEFECTS SHALL MEET COSMETIC STANDARD PS-45499-002 (Class B).
- g. LASER MARKING:
- PART NUMBER
 - DAY OF THE YEAR
 - SHIFT
 - YEAR
- FOR ADDITIONAL INFORMATION SEE SECTION 5 UNDER PROCEDURES IN ES-34735-008.
- h. 2X2 CLIP-SLOT DESIGN IS BASED ON USCAR/EWCAP 7mm CLIP SLOT EWCAP - 005 - 7
- 2X3 THRU 2X10 CLIP-SLOT DESIGN IS BASED ON USCAR/EWCAP 11mm CLIP SLOT EWCAP - 005 - 11

DESCRIPTION	DRAWING NO.
2X2	PK-31300-635
2X3	PK-31300-903
2X4	PK-31300-903
2X6	PK-31300-903
2X8	PK-31300-903
2X10	PK-31300-903

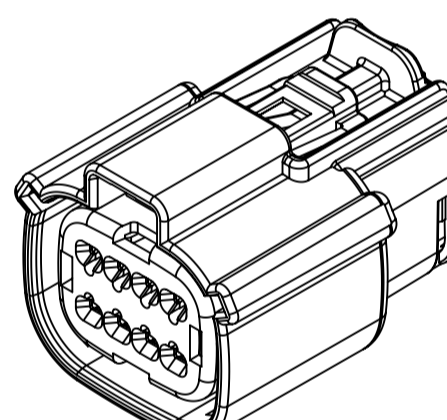
MATING INTERFACE/CONNECTOR DRAWINGS		
DESCRIPTION	INTERFACE DEFINITION	MOLEX INLINE
STANDARD 2X2	*150-S-004-2-Z02	SD-33482-0001
UL V0 2X2	*150-S-004-2-Z02	SD-33482-0001
STANDARD 2X3	*150-S-006-2-Z02	SD-33482-0001
TRANSMISSION 2X3	*150-S-006-2-Z02	N/A
STANDARD 2X4	*150-S-008-2-Z02	SD-33482-0001
UL V0 2X4	*150-S-008-2-Z02	SD-33482-0001
STANDARD 2X6	*150-S-012-2-Z01	SD-33482-0001
UL V0 2X6	*150-S-012-2-Z01	SD-33482-0001
STANDARD 2X8	*150-S-016-2-Z01	SD-33482-0001
STANDARD 2X10	SD-33472-0001	SD-33482-0001
UL V0 2X10	SD-33472-0001	SD-33482-0001



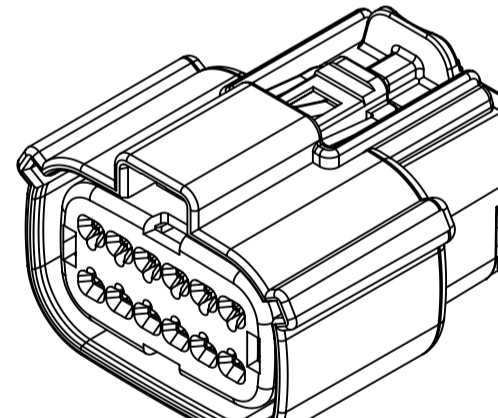
2x2



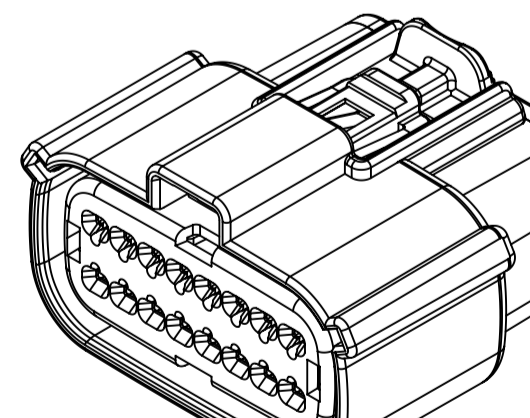
2x3



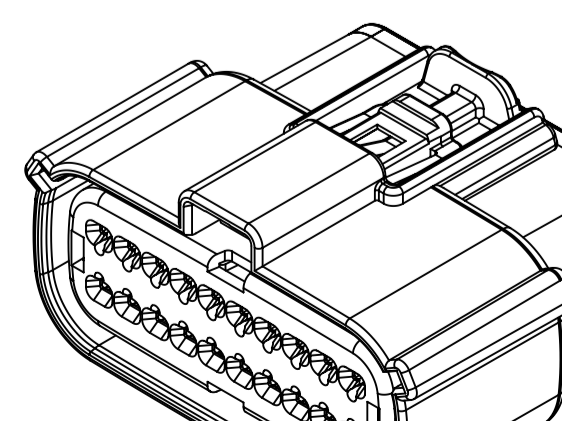
2x4



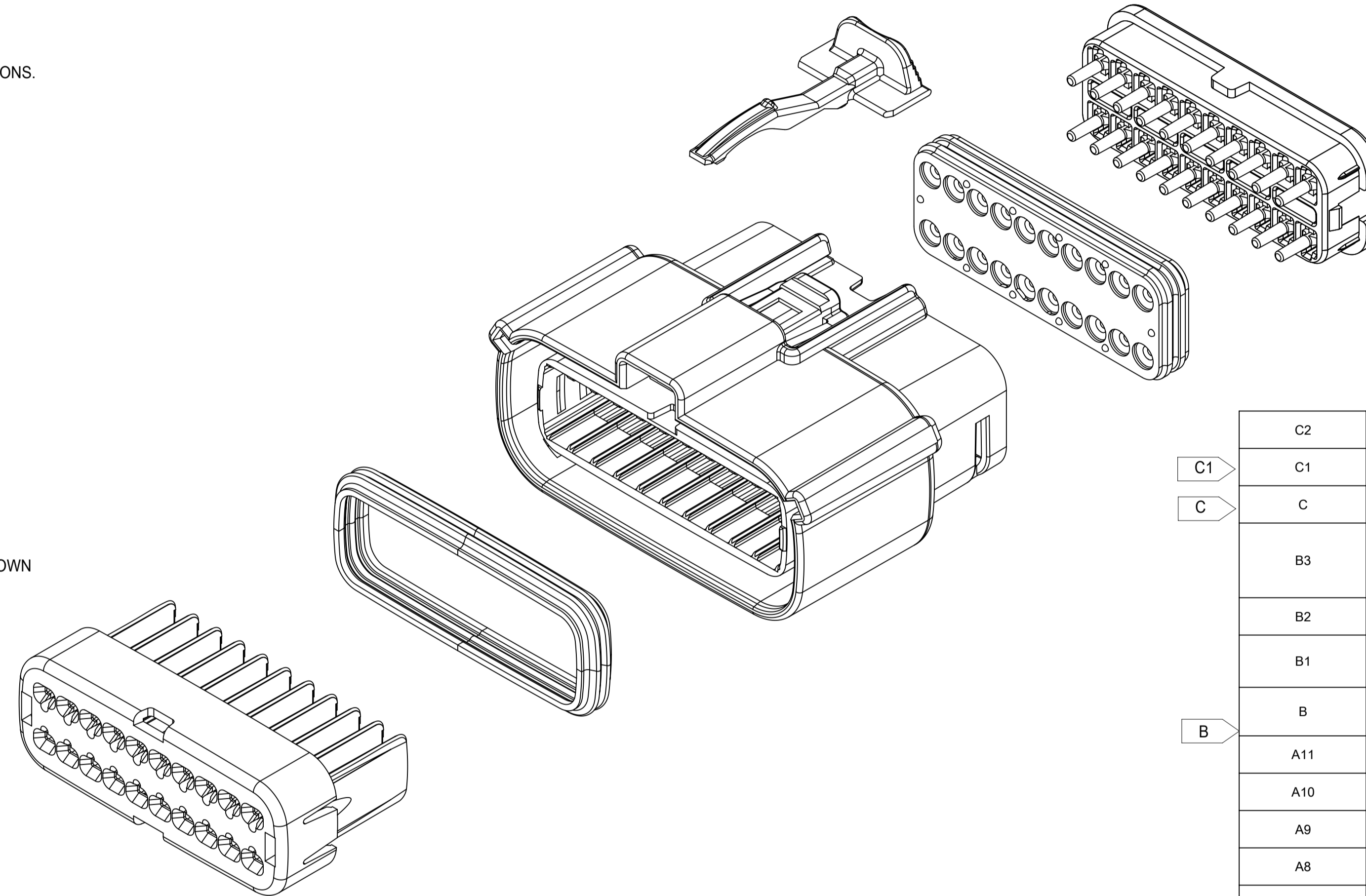
2x6



2x8



2x10



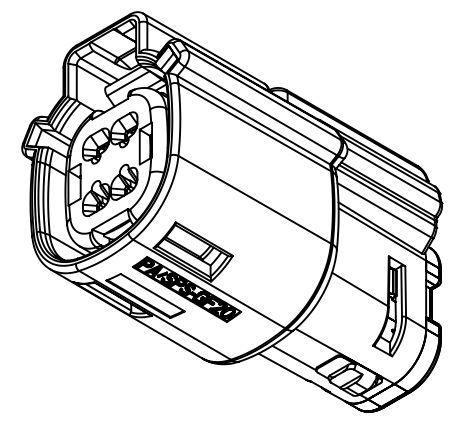
C2	ADDED MOLEX BACKSHELL DETAILS
C1	ADDED 2X6-TRNS.-WITH/WITHOUT CLIPSLOT *
C	ADDED 2X10-STD.-WITH CLIPSLOT *
B3	ADD ROW FOR 2X6 V0 ON SHEET 5DIM3# UPDATE TO 25.0 MAX FOR V0DIM11# UPDATE TO 33.85 MAX FOR V0
B2	ADD 2X6 UL V0 CONFIGURATIONS
B1	UPDATE 2X6 W/O CLIPSLOT DIM G ON TABLE OF SHEET 5
B	ADDED 2X2 - STD- WITH CLIPSLOT, 2X8 - STD- WITH CLIPSLOT AND NOTE h
A11	MINOR GEOMETRY CHANGE FOR UL V0
A10	UPDATED 2X4 DRAWING NUMBER
A9	UPDATED 2X10 PART NUMBERS
A8	UPDATED 2X3 DRAWING NUMBER
A7	UPDATED 2X10 INTERFACE
A6	ADDED TRANSMISSION REFERENCES
A5	ADD 2X10 INTERFACE SHEETS
A4	ADD UL V0 CONFIGURATIONS
A3	ADDED 2X3 STD AND TRANSMISSION
A2	UPDATED 2X8 BLD DRAWINGS
A1	FIXED TYPO IN NOTE 1a, UPDATED 2X6 MOLEX INLINE BLADE DRAWING
A	INITIAL RELEASE
REV	REV DESCRIPTION

INSPECTION NUMBER LOG	
LAST NUMBER:	11
ADDED:	11
REMOVED:	

SYMBOLS		THIS DRAWING CONTAINS INFORMATION THAT IS PROPRIETARY TO MOLEX ELECTRONIC TECHNOLOGIES, LLC AND SHOULD NOT BE USED WITHOUT WRITTEN PERMISSION		CURRENT REV DESC:		molex	
	= 0	DIMENSION UNITS	SCALE	EC NO: 171650		MX150 RCPT DUAL ROW SEALED ASSEMBLY MAT SEAL	
	= 0	mm	1:1	DRWN: DDEB 2018/01/19			
	= 0	GENERAL TOLERANCES (UNLESS SPECIFIED)		CHK'D: MVANSLAMBROU 2018/02/16		PRODUCT CUSTOMER DRAWING	
	= 0	ANGULAR TOL ± 1.0°		APPR: MVANSLAMBROU 2018/02/16			
	= 0	4 PLACES ±		INITIAL REVISION:		DOCUMENT NUMBER	
	= 0	3 PLACES ±		DRWN: APROFFITT 2014/05/14		DOC TYPE DOC PART REVISION	
	= 0	2 PLACES ± 0.1		APPR: VKOSHY 2014/06/27		SD-33472-0001	
	= 0	1 PLACE ± 0.2		DRAFT WHERE APPLICABLE MUST REMAIN WITHIN DIMENSIONS		PSD 001 C2	
	= 0	0 PLACES ±		THIRD ANGLE PROJECTION		MATERIAL NUMBER	
	= 0			DRAWING		CUSTOMER	
				A1-SIZE		GENERAL MARKET	
				SERIES		SHEET NUMBER	
				33472		1 OF 11	

SHEET DESCRIPTION

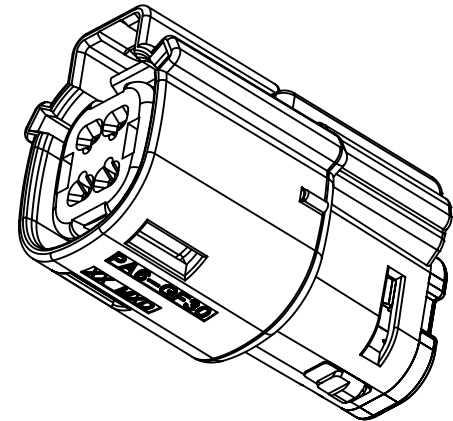
CONFIGURATIONS



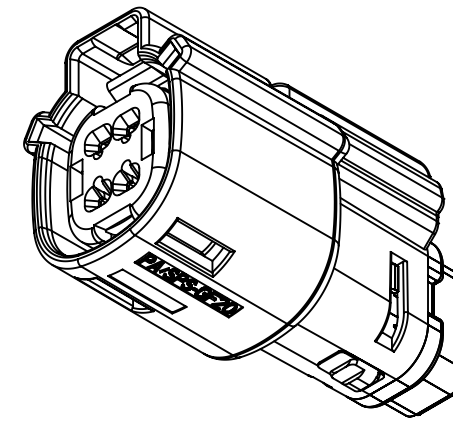
2X2 - STD.
2X2 - TRNS. - SILICONE FREE †



2X2 - STD. - WITH CLIPSLOT *



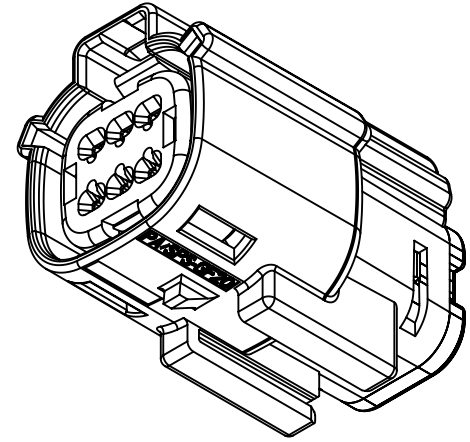
† 2X2 - UL V0



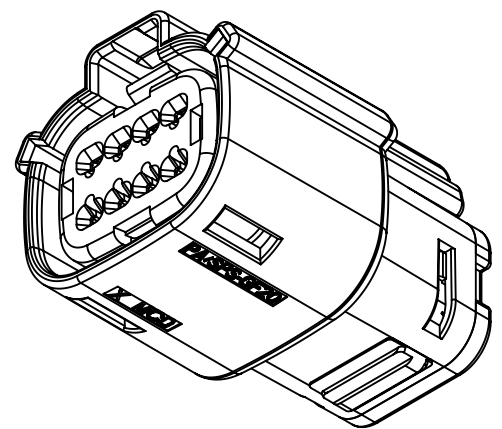
2X2 - STD. - LENGTHENED



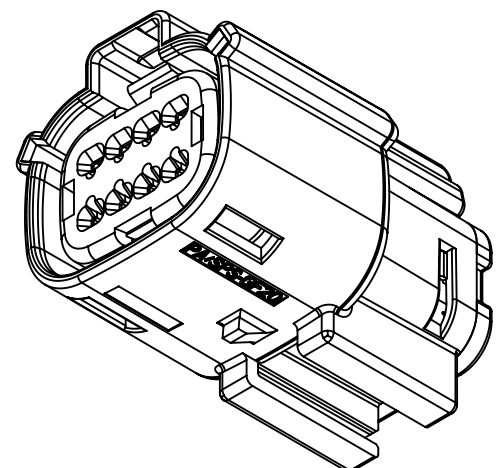
2X3 - STD.
2X3 - TRNS. - CONTAINS SILICONE †



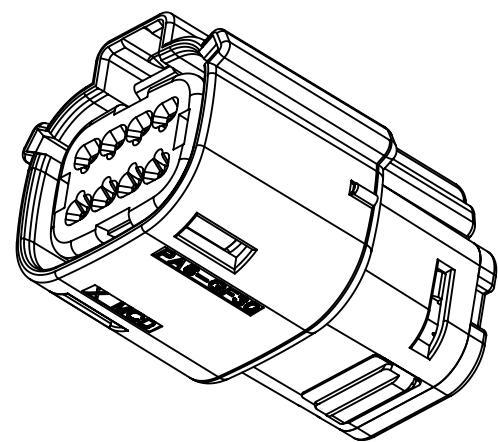
2X3 - STD. - WITH CLIPSLOT *



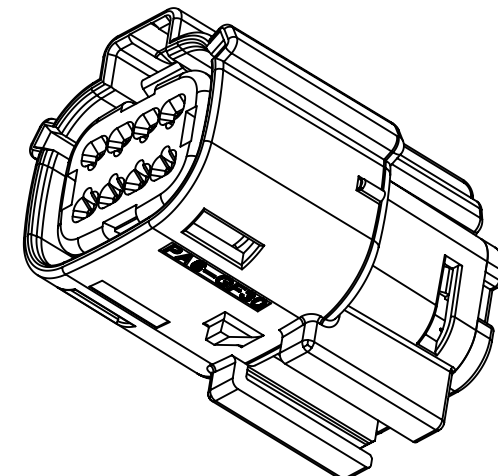
2X4 - STD.



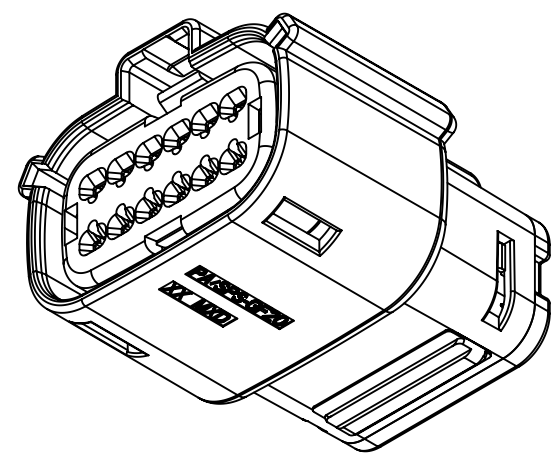
2X4 - STD. - WITH CLIPSLOT *



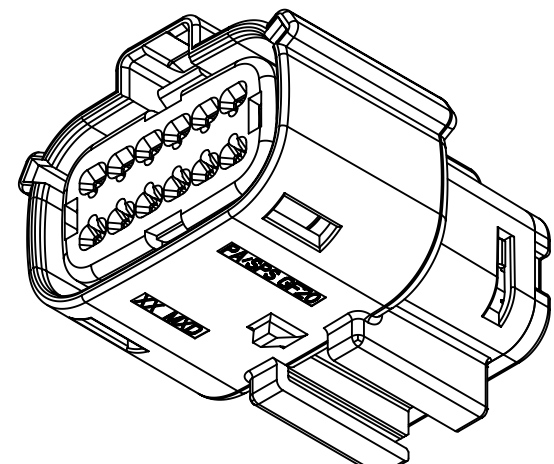
† 2X4 - UL V0



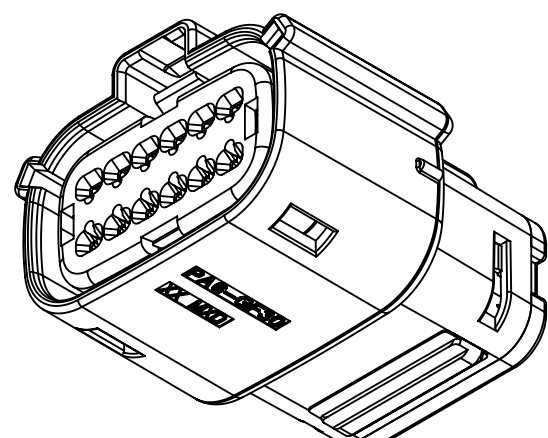
† 2X4 - UL V0-WITH CLIPSLOT*



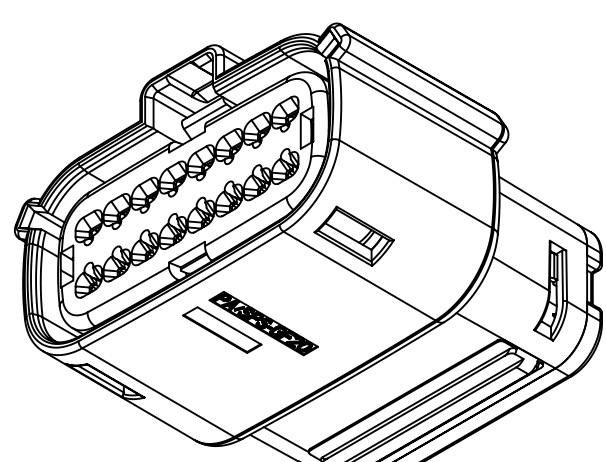
2X6 - STD.



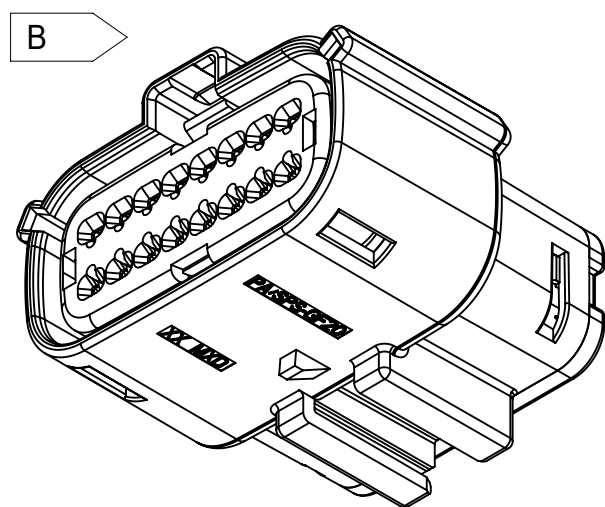
2X6 - STD. - WITH CLIPSLOT *



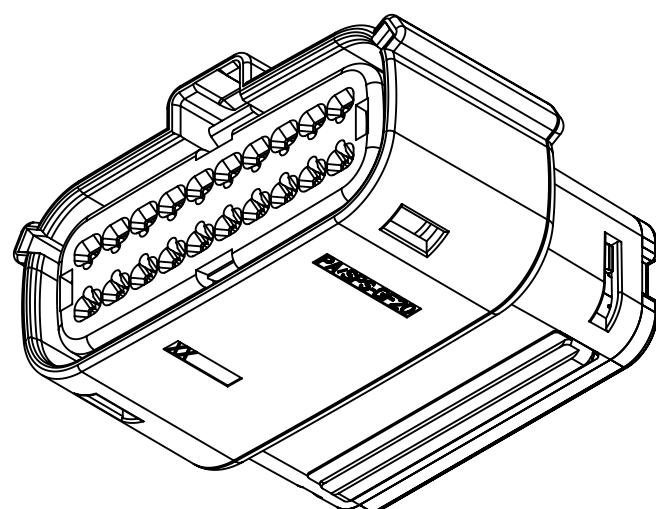
† 2X6 - UL V0



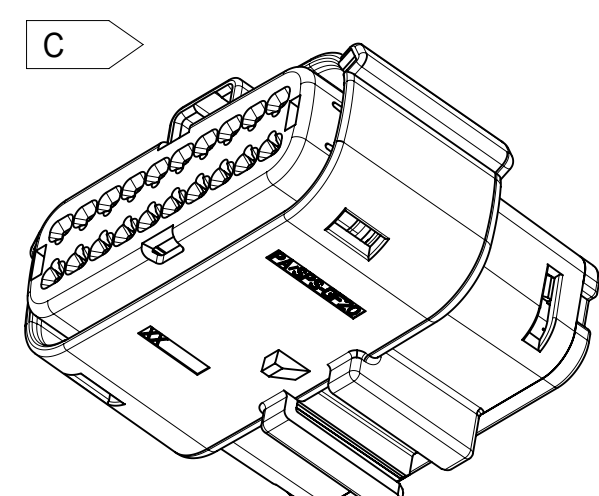
2X8 - STD.



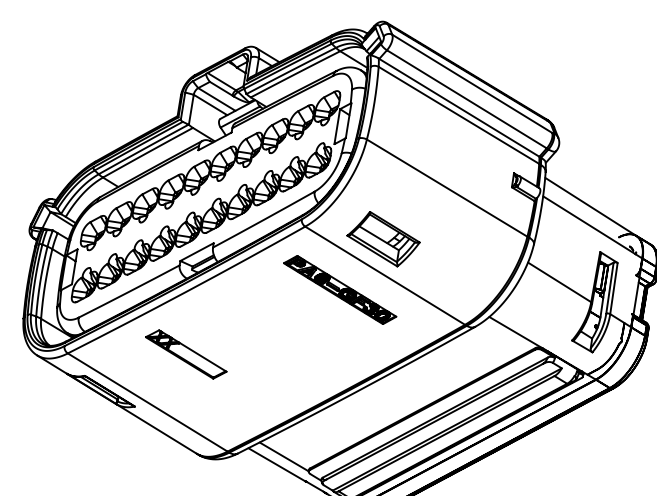
2X8 - STD. - WITH CLIPSLOT *



2X10 - STD.



2X10 - STD. - WITH CLIPSLOT *



† 2X10 - UL V0

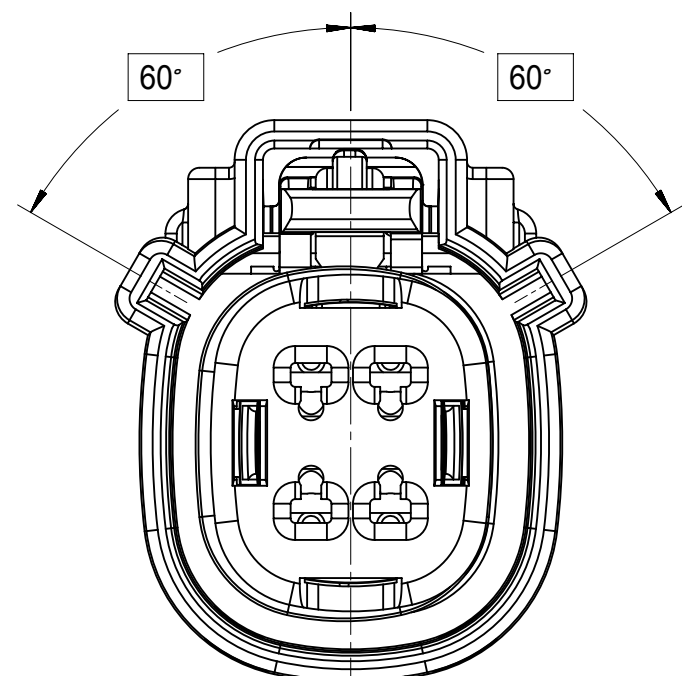
* WITH CLIPSLOT CONFIGURATION DOES NOT MEET THE USCAR PACKAGING FRAME REQUIREMENTS
† MINOR GEOMETRY DIFFERENCE THAN STANDARD CONFIGURATION
SEE NOTES 1a & 2a-b FOR MORE INFORMATION

SYMBOLS		THIS DRAWING CONTAINS INFORMATION THAT IS PROPRIETARY TO MOLEX ELECTRONIC TECHNOLOGIES, LLC AND SHOULD NOT BE USED WITHOUT WRITTEN PERMISSION		CURRENT REV DESC:		molex	
	= 0	DIMENSION UNITS	SCALE	EC NO: 171650		MX150 RCPT	
	= 0	mm	1:1	DRWN: DDEB 2018/01/19		DUAL ROW SEALED ASSEMBLY MAT SEAL	
	= 0	GENERAL TOLERANCES (UNLESS SPECIFIED)		CHK'D: MVANSLAMBROU 2018/02/16		PRODUCT CUSTOMER DRAWING	
	= 0	ANGULAR TOL ± 1.0°		APPR: MVANSLAMBROU 2018/02/16		DOCUMENT NUMBER	
	= 0	4 PLACES	±	INITIAL REVISION:		DOC TYPE DOC PART REVISION	
	= 0	3 PLACES	±	DRWN: APROFFITT 2014/05/14		SD-33472-0001	
	= 0	2 PLACES	± 0.1	APPR: VKOSHY 2014/06/27		PSD 001 C2	
	= 0	1 PLACE	± 0.2	MATERIAL NUMBER		CUSTOMER	
	= 0	0 PLACES	±	DRAWING		GENERAL MARKET	
	= 0	DRAFT WHERE APPLICABLE MUST REMAIN WITHIN DIMENSIONS		SERIES		SHEET NUMBER	
	= 0	THIRD ANGLE PROJECTION		A1-SIZE		2 OF 11	
	= 0	DRAWING		33472			

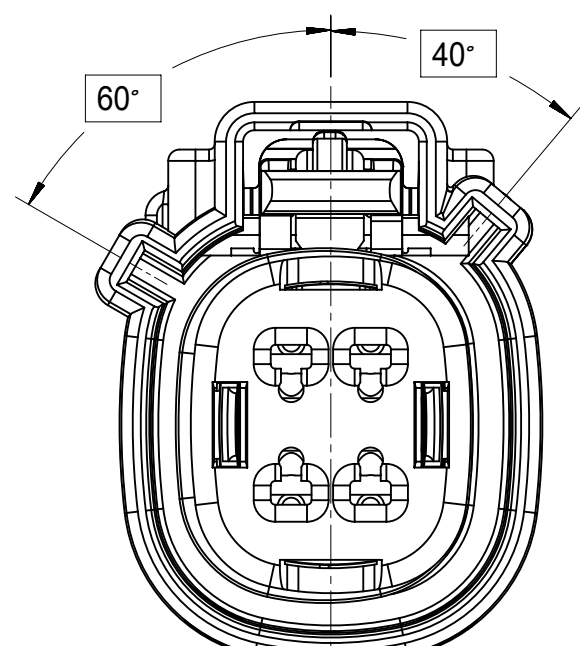
SHEET DESCRIPTION

KEY CONFIGURATIONS

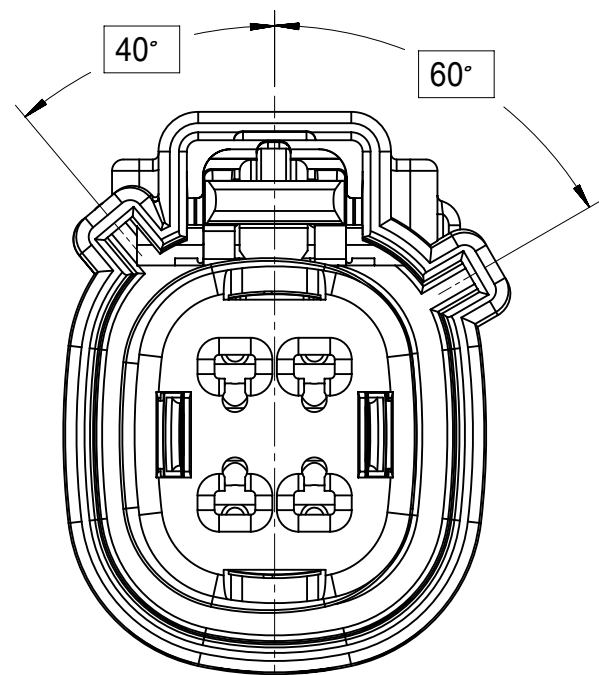
2X2



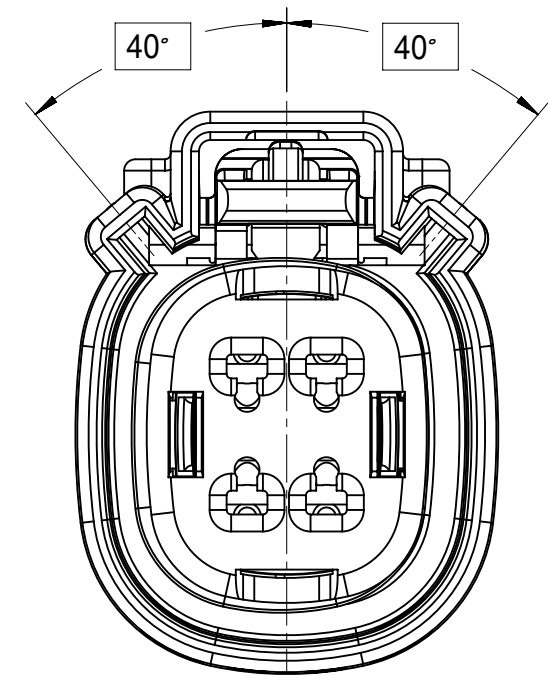
KEY A



KEY B

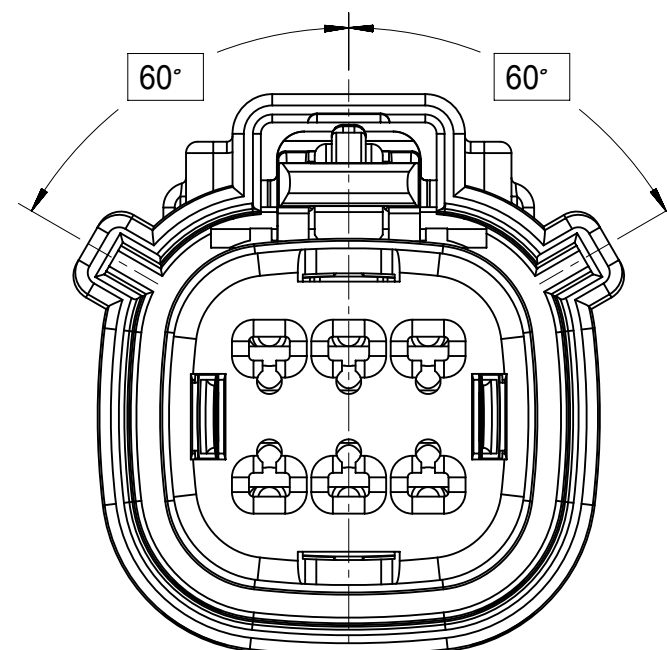


KEY C

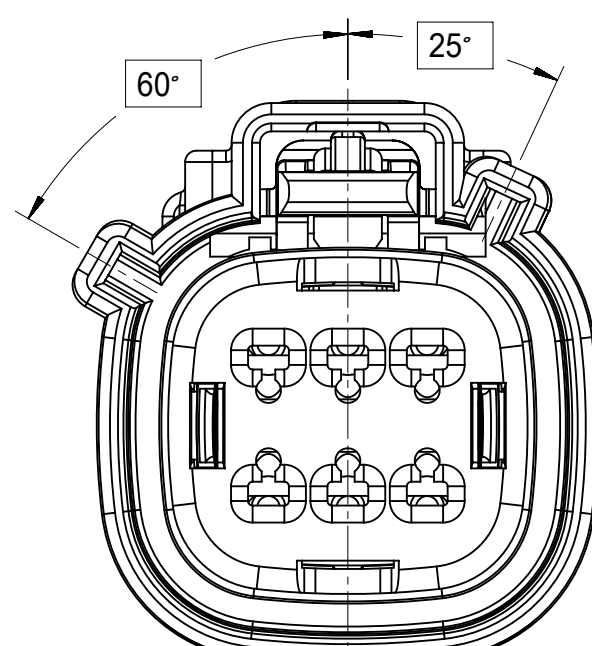


KEY D

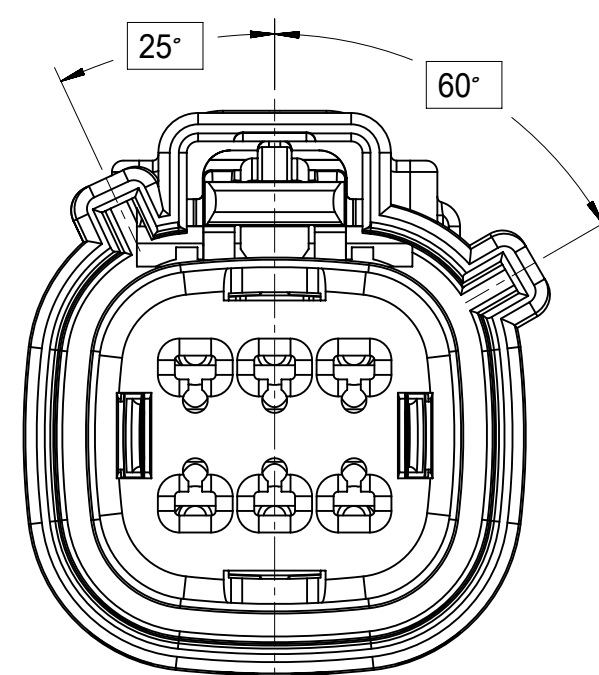
2X3



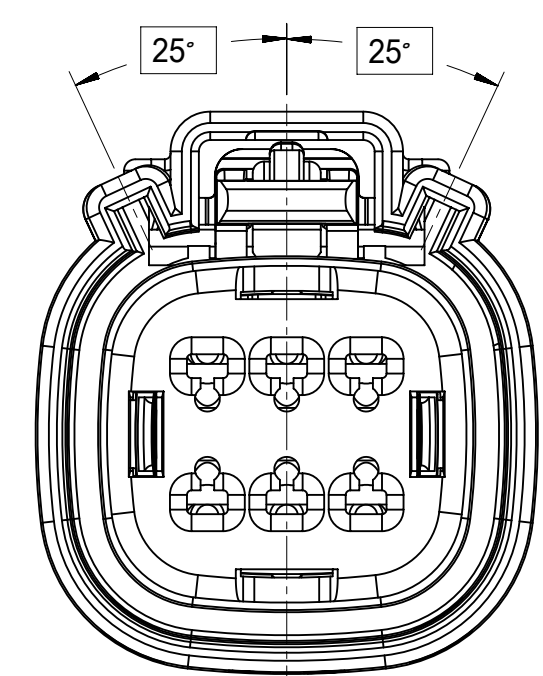
KEY A



KEY B

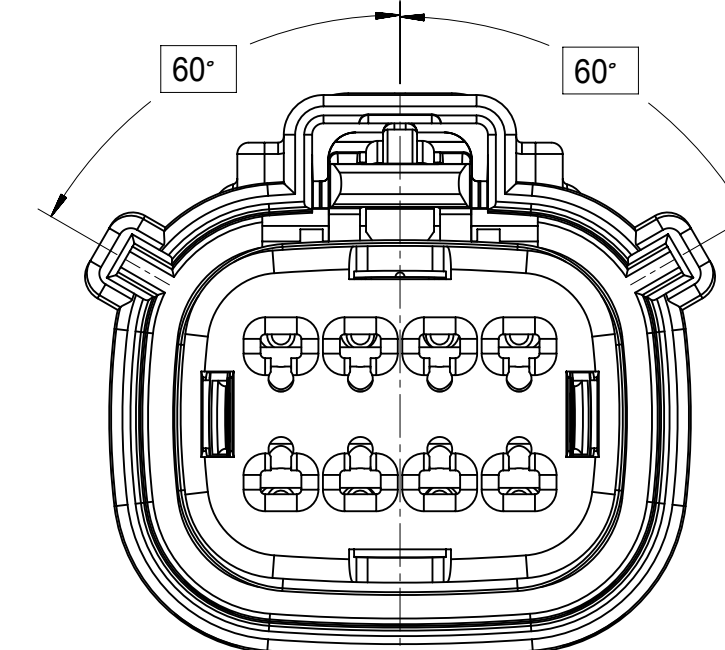


KEY C

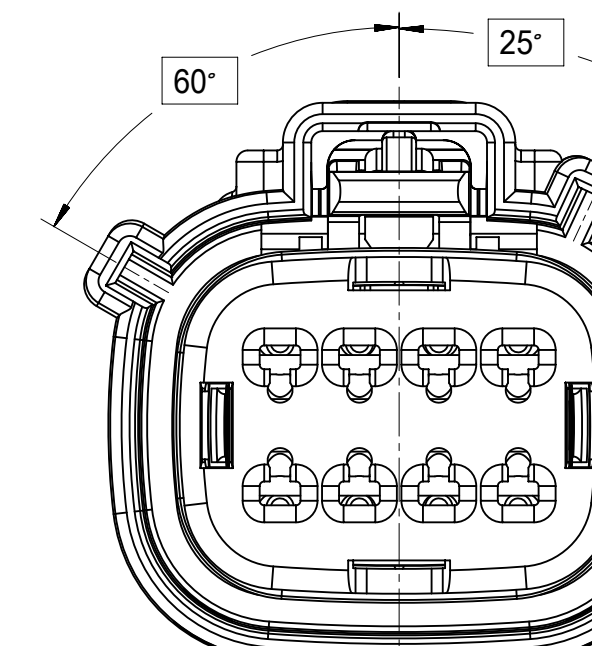


KEY D

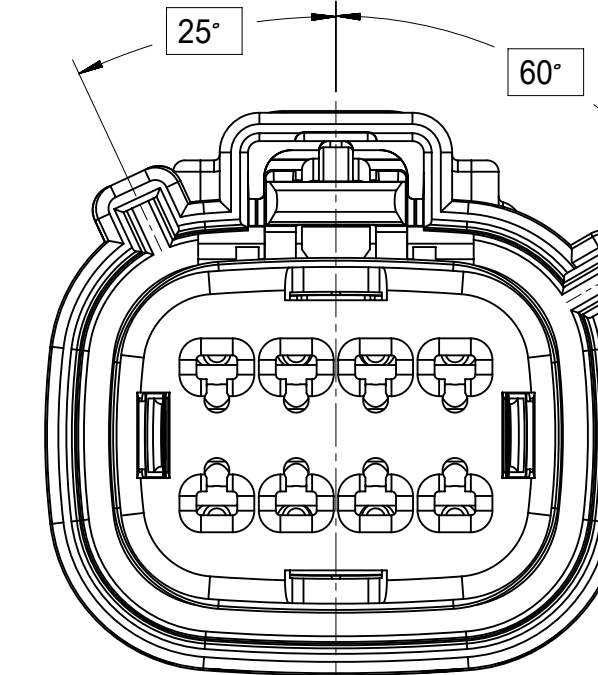
2X4



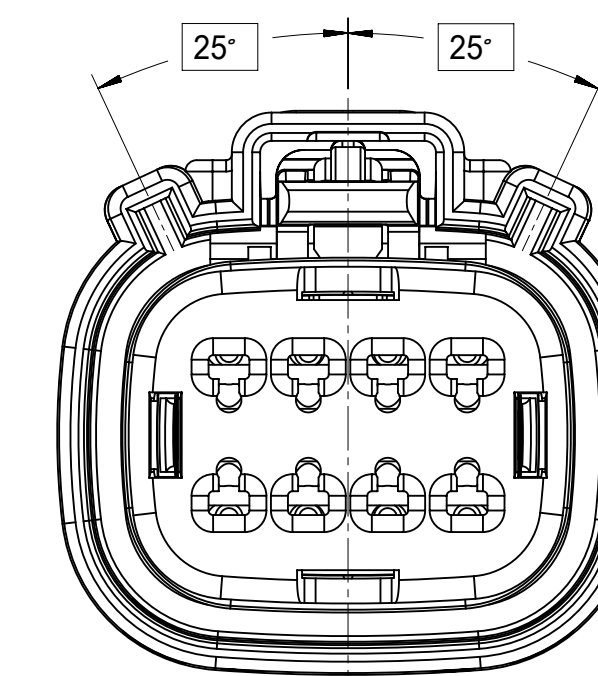
KEY A



KEY B



KEY C

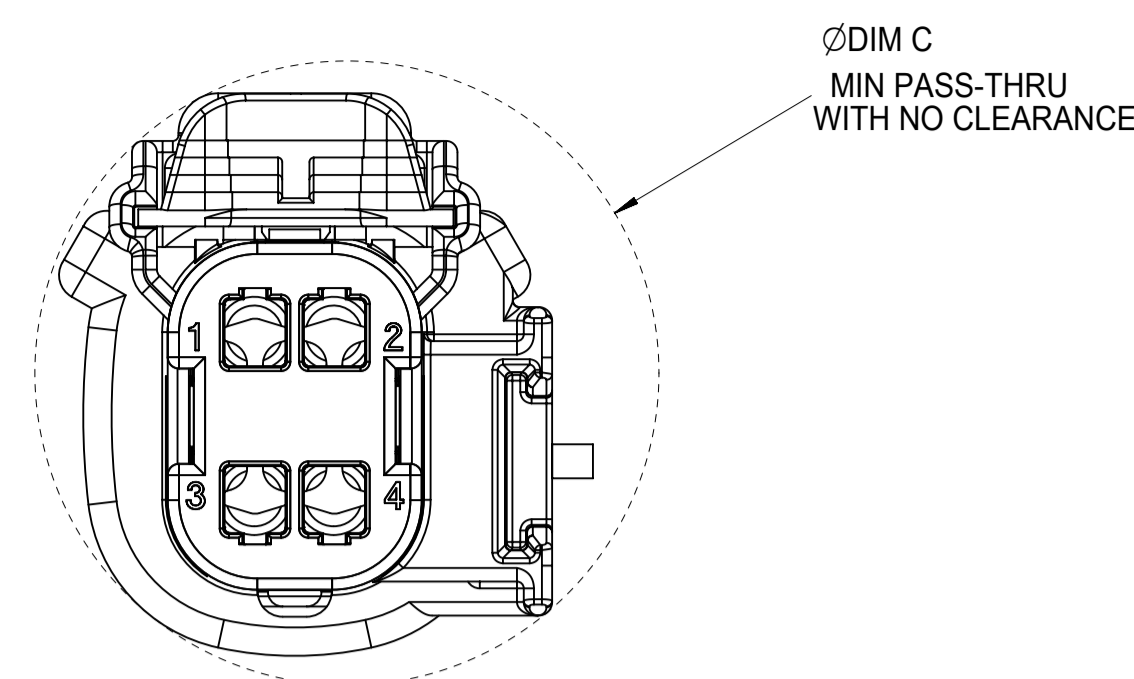
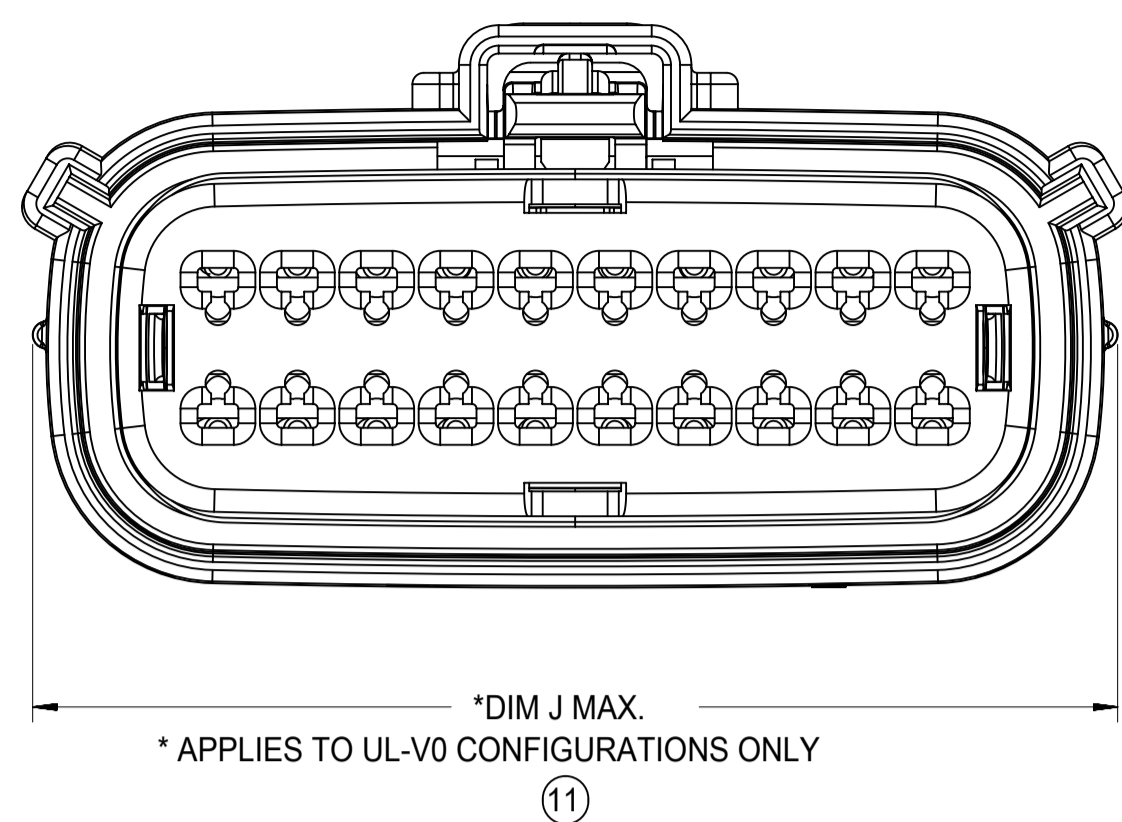


KEY D

SYMBOLS = 0 = 0 = 0 = 0 = 0 = 0 = 0 = 0 = 0 = 0 = 0	THIS DRAWING CONTAINS INFORMATION THAT IS PROPRIETARY TO MOLEX ELECTRONIC TECHNOLOGIES, LLC AND SHOULD NOT BE USED WITHOUT WRITTEN PERMISSION DIMENSION UNITS: mm SCALE: 1:1	CURRENT REV DESC: EC NO: 171650 DRWN: DDEB 2018/01/19 CHK'D: MVANSLAMBROU 2018/02/16 APPR: MVANSLAMBROU 2018/02/16			
	GENERAL TOLERANCES (UNLESS SPECIFIED) ANGULAR TOL ± 1.0° 4 PLACES ± 3 PLACES ± 2 PLACES ± 0.1 1 PLACE ± 0.2 0 PLACES ±	INITIAL REVISION: DRWN: APROFFITT 2014/05/14 APPR: VKOSHY 2014/06/27	PRODUCT CUSTOMER DRAWING DOCUMENT NUMBER: SD-33472-0001 DOC TYPE: PSD DOC PART: 001 REVISION: C2		
DRAFT WHERE APPLICABLE MUST REMAIN WITHIN DIMENSIONS	THIRD ANGLE PROJECTION 	DRAWING: A1-SIZE SERIES: 33472	MATERIAL NUMBER CUSTOMER: GENERAL MARKET	SHEET NUMBER 3 OF 11	

SHEET DESCRIPTION

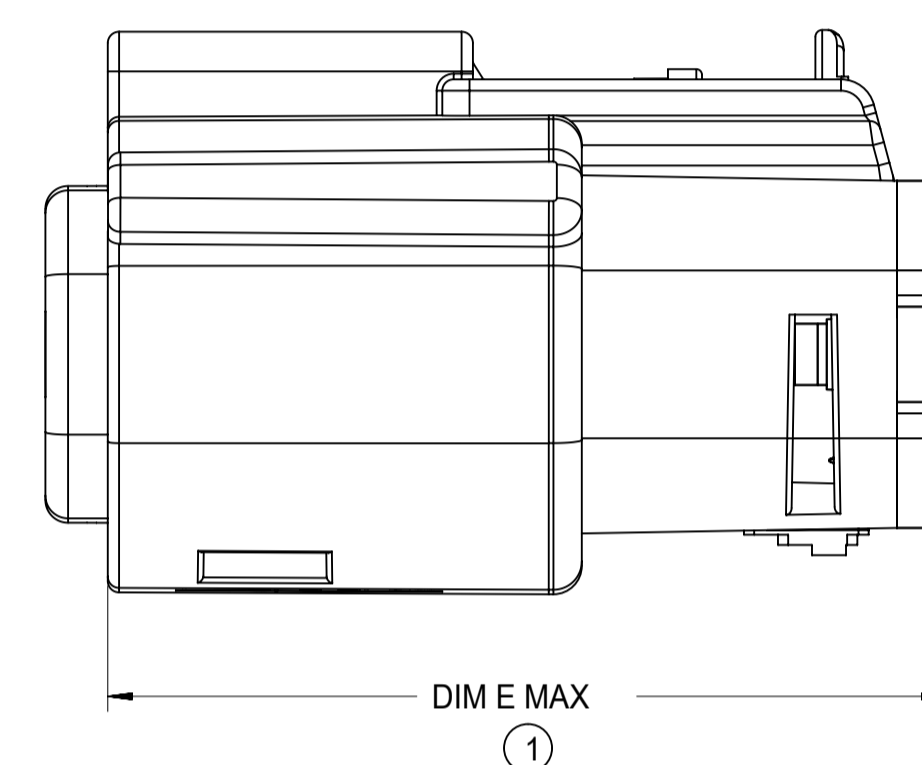
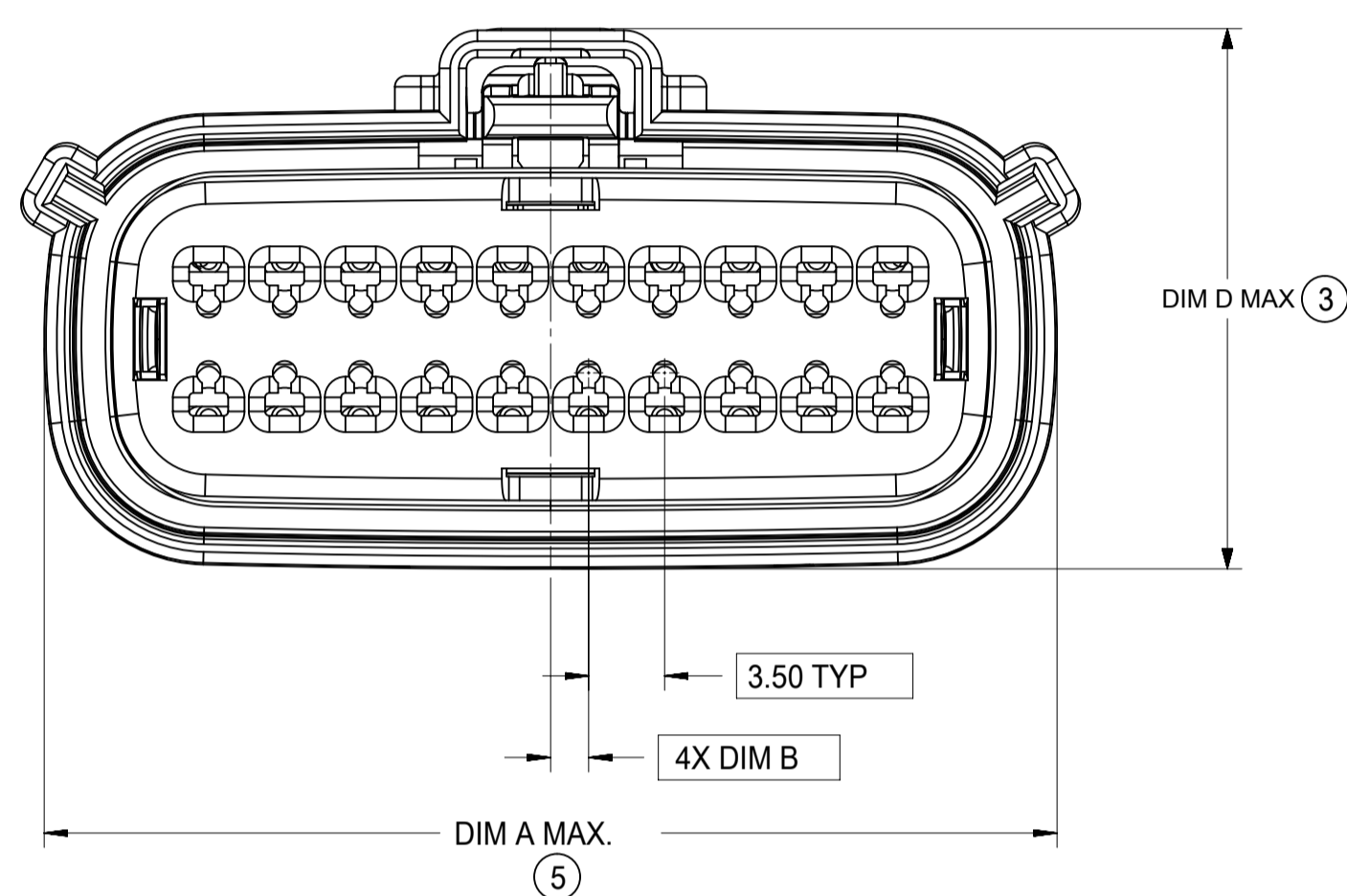
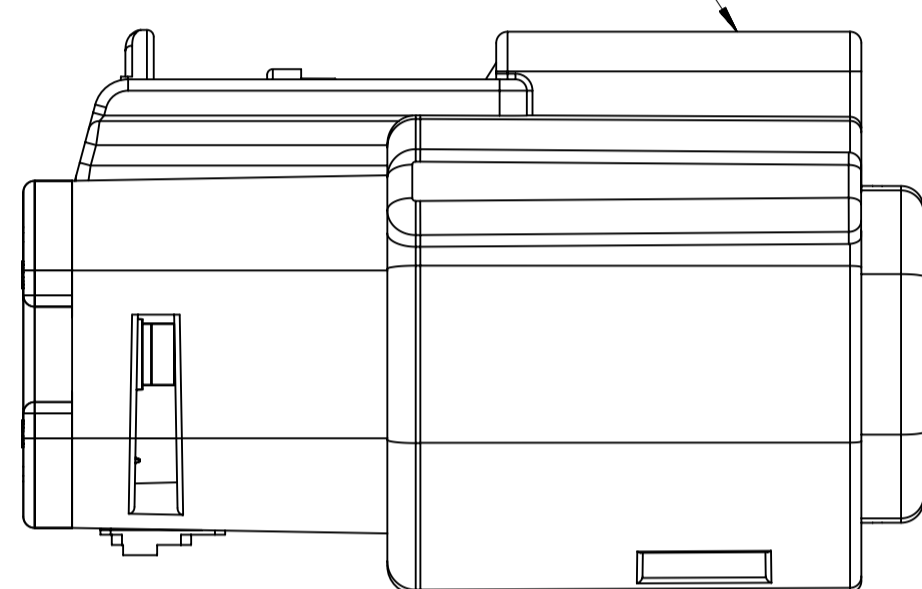
RECEPTACLE CONNECTOR ASSEMBLY



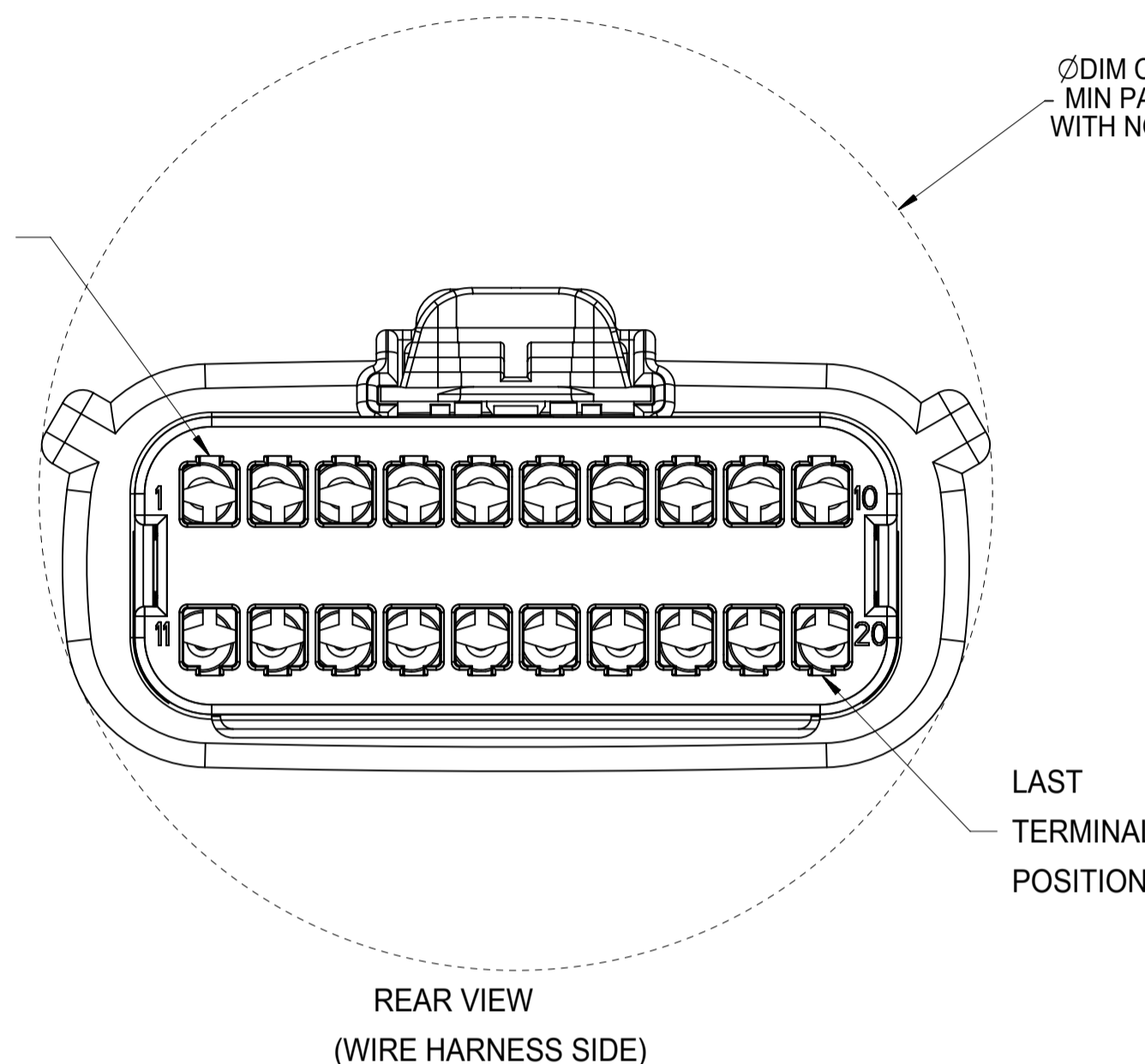
② APPLIES TO 2X2 - STD. - WITH CLIPSLOT ONLY

DESCRIPTION	DIMENSIONS						
	A	B	C	D	E	F	J
2X2 W/O CLIPSLOT	18.58	1.75	25.45	24.81	37.65	N/A	2.75±0.50
2X2 W/ CLIPSLOT	18.58	1.75	27.65	24.81	37.65	N/A	2.75±0.50
2X2 LENGTHENED	18.58	1.75	25.45	24.81	42.25	N/A	2.75±0.50
2X3 W/ CLIPSLOT	22.25	3.5	30.50	N/A	37.65	27.96	4.0±0.4
2X3 W/O CLIPSLOT	22.25	3.5	26.24	24.90	37.65	N/A	4.0±0.4
2X4 W/ CLIPSLOT	25.75	1.75	31.50	N/A	37.65	28.00	2.75±0.50
2X4 W/O CLIPSLOT	25.75	1.75	29.19	24.81	37.65	N/A	2.75±0.50
2X6 W/ CLIPSLOT	32.75	1.75	35.58	N/A	37.65	27.76	2.75±0.50
2X6 W/O CLIPSLOT	32.75	1.75	35.58	24.90	37.65	N/A	2.75±0.50
2X6 W/O CLIPSLOT V0	32.75	1.75	35.58	25.0	37.65	N/A	2.75±0.50
2X8 W/O CLIPSLOT	39.80	1.75	42.25	24.90	37.65	N/A	4.0±0.4
2X8 W/ CLIPSLOT	39.80	1.75	42.25	N/A	37.65	27.80	4.0±0.4
2X10 W/O CLIPSLOT	46.75	1.75	49.95	24.90	37.65	N/A	2.75±0.50
2X10 W/ CLIPSLOT	46.75	1.75	49.95	N/A	37.65	27.80	2.75±0.50

LASER MARKING ON THIS SURFACE
SEE NOTE 3g.

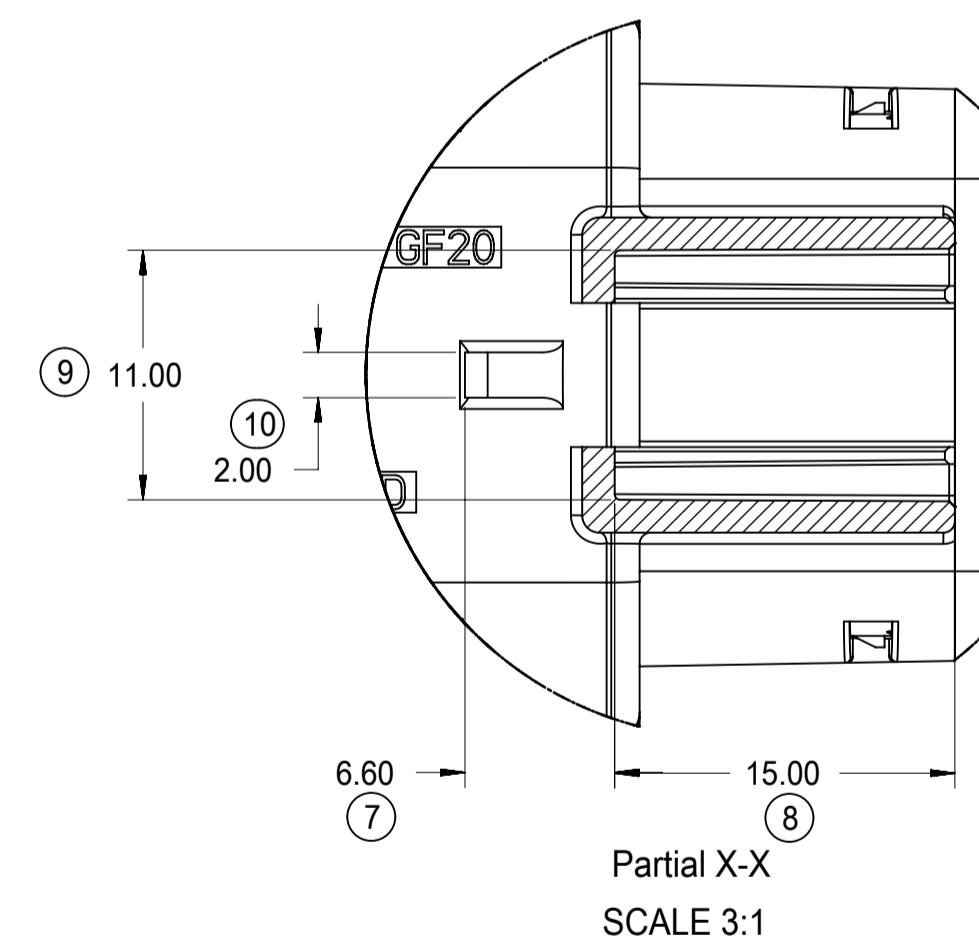
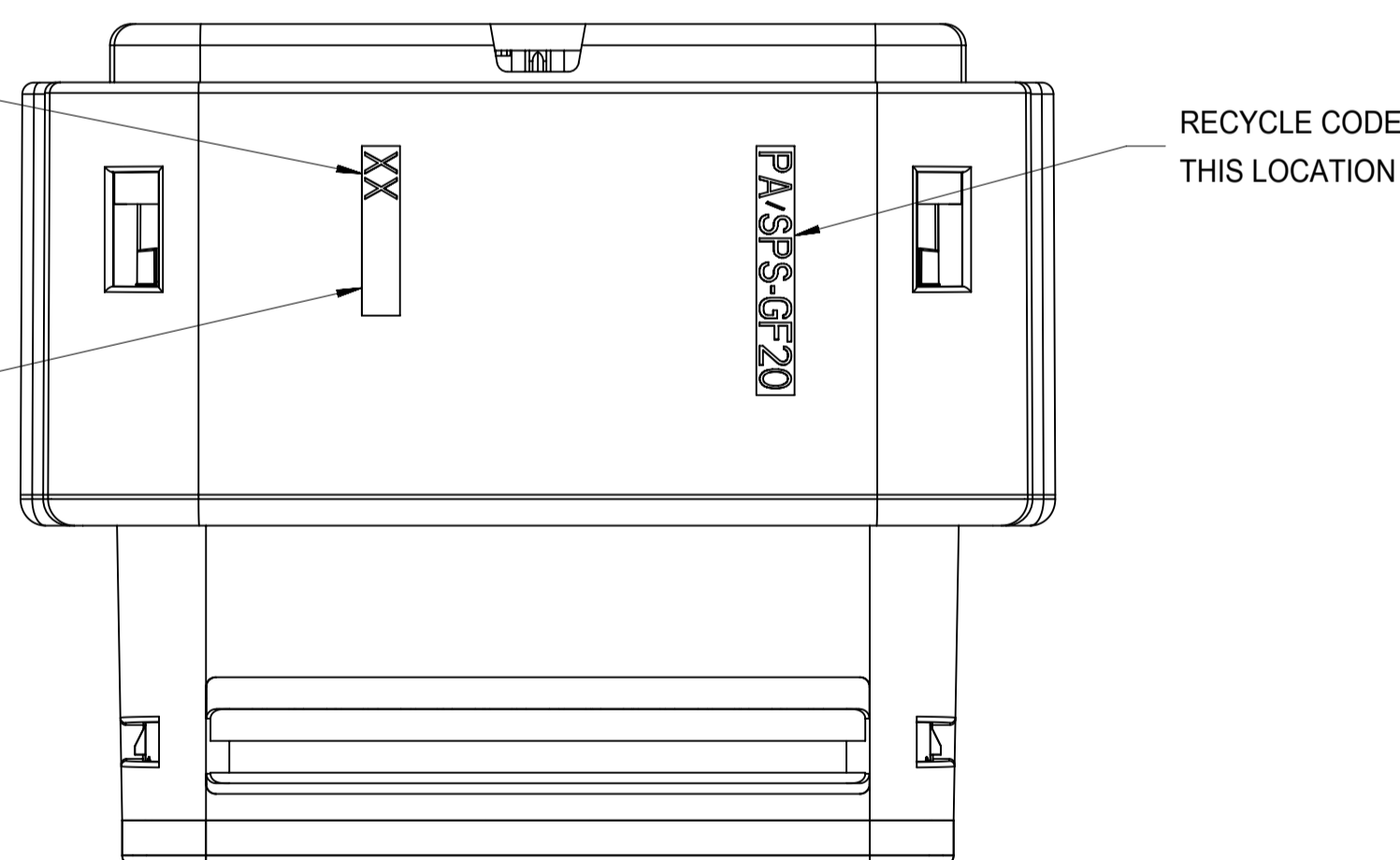


TERMINAL POSITION 1

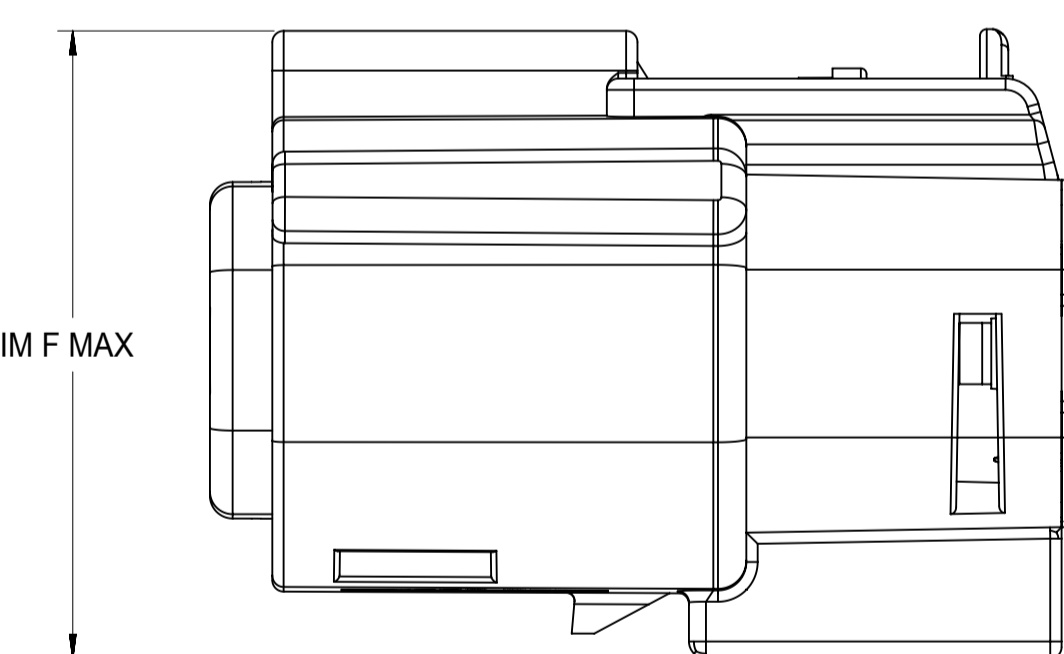


MOLD CAVITY I.D.
THIS LOCATION

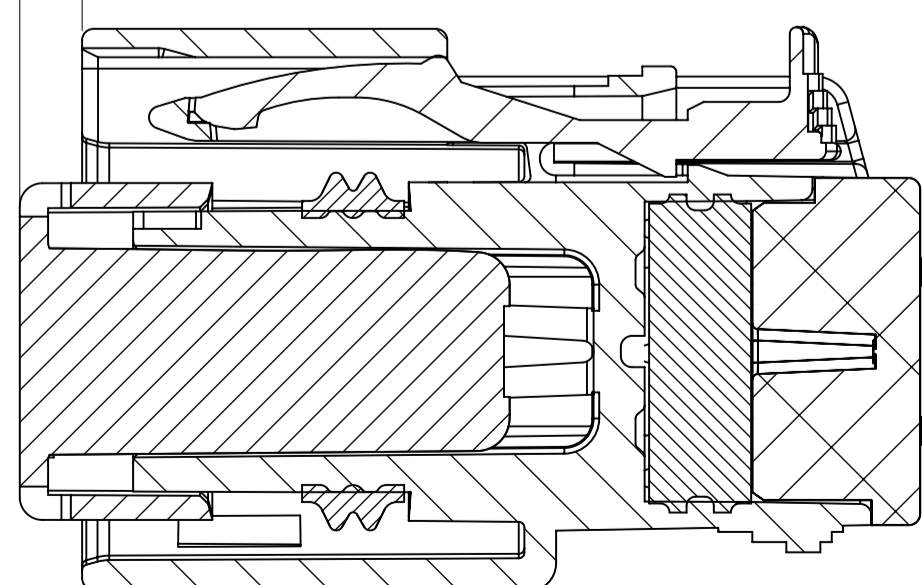
MANUFACTURING LOCATION
CODE THIS LOCATION



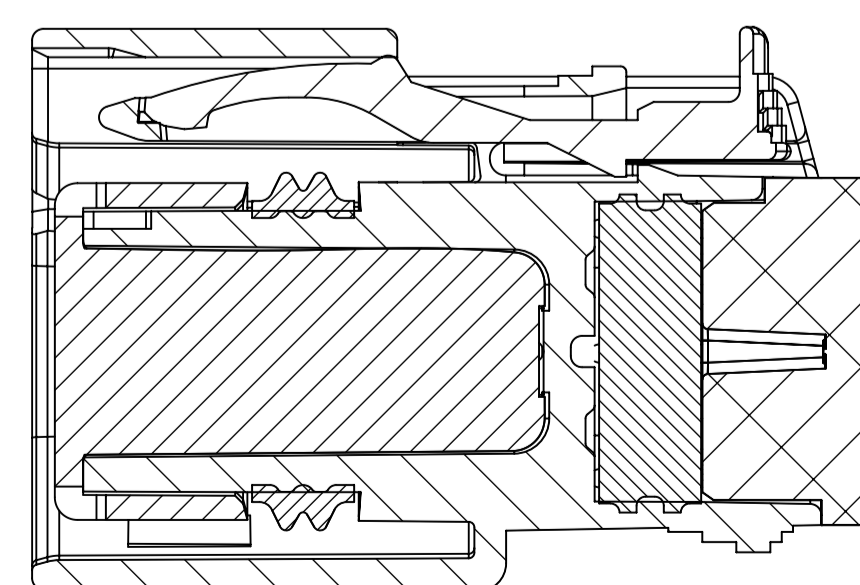
④ DIM F MAX



DIM G ⑥



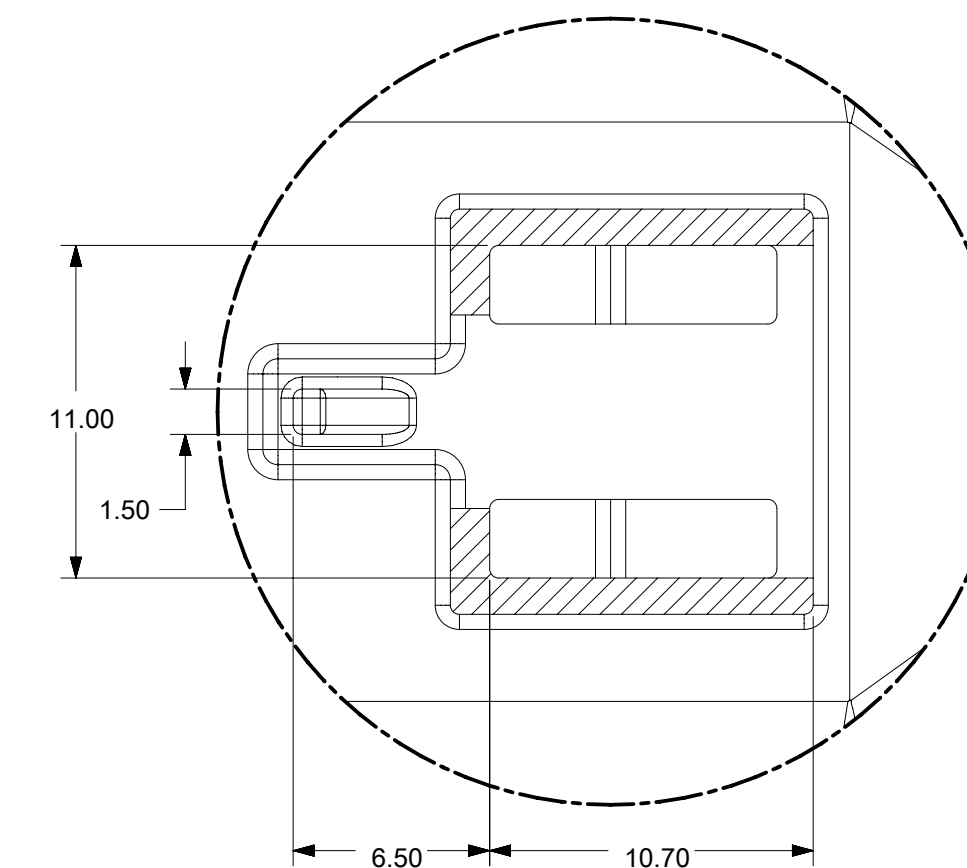
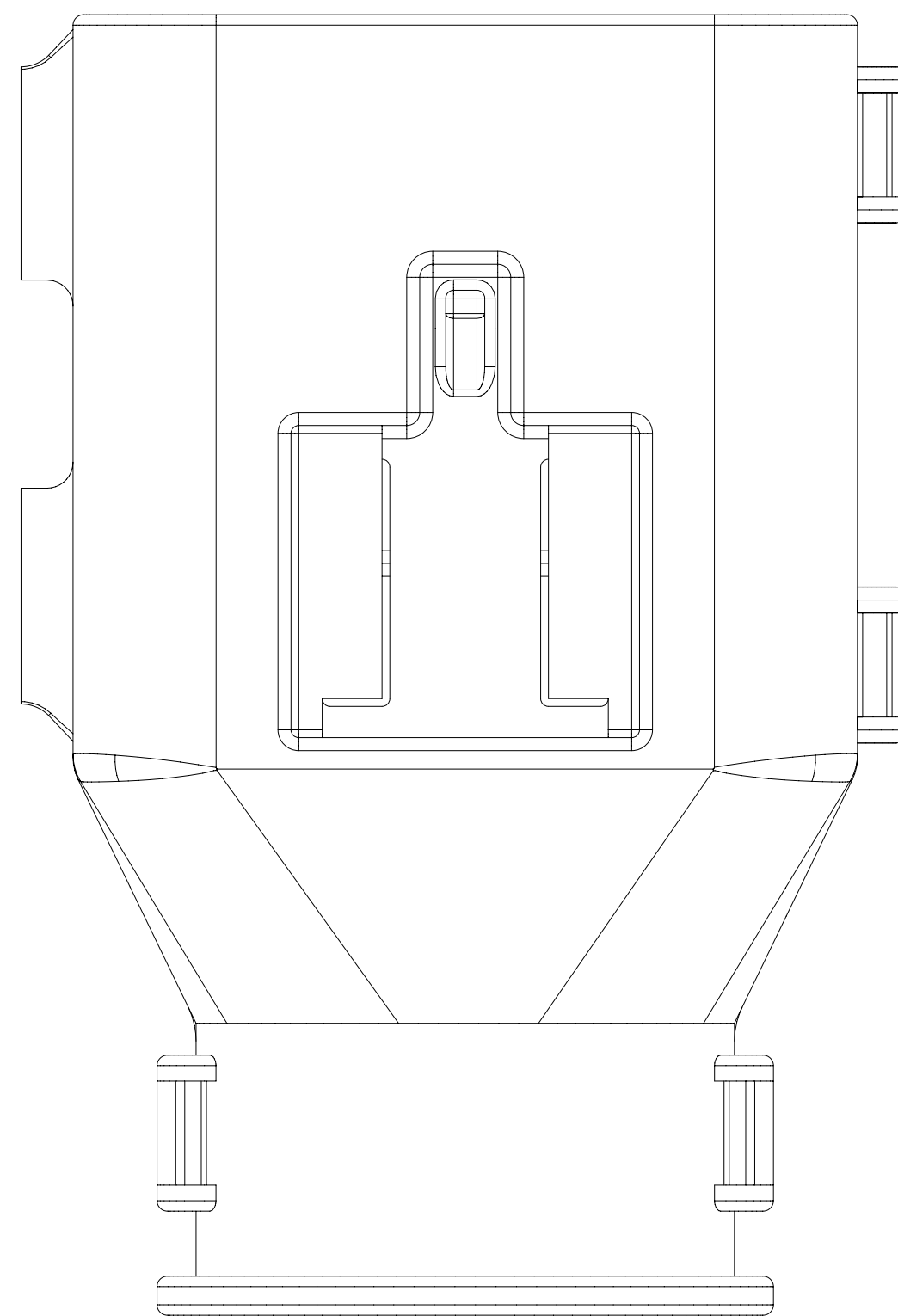
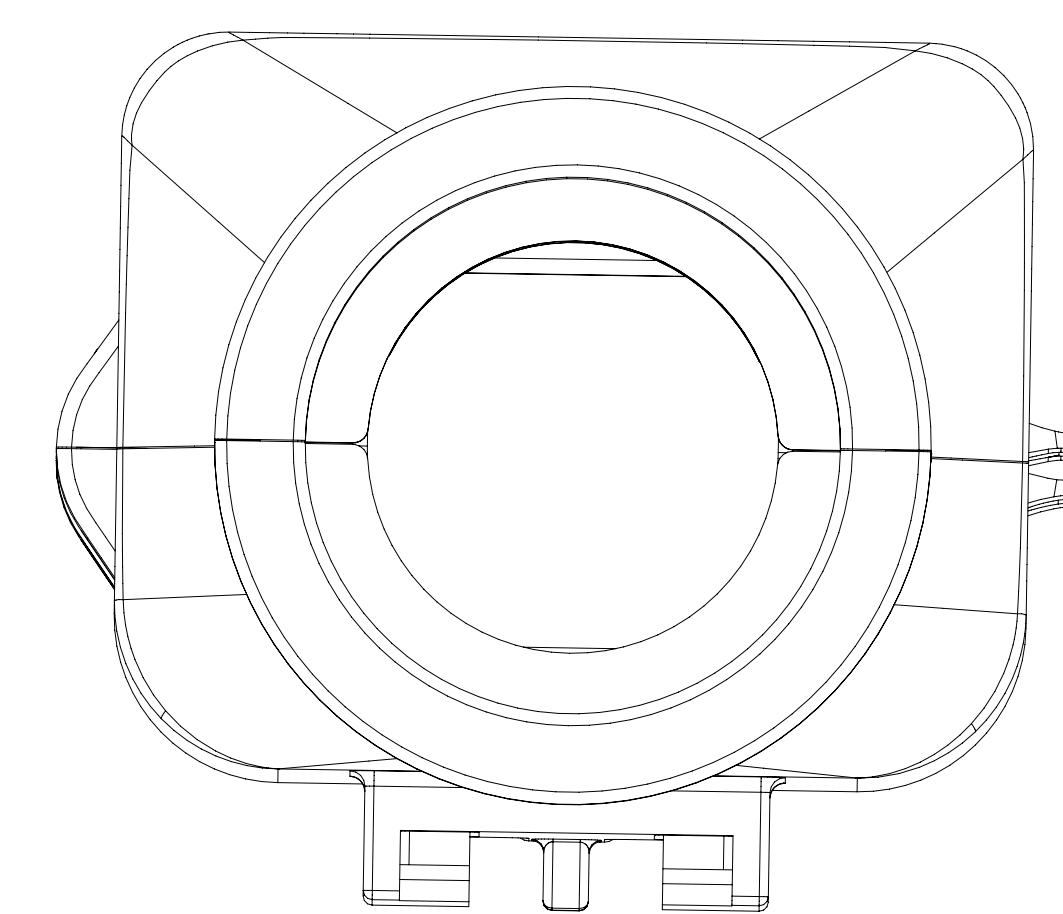
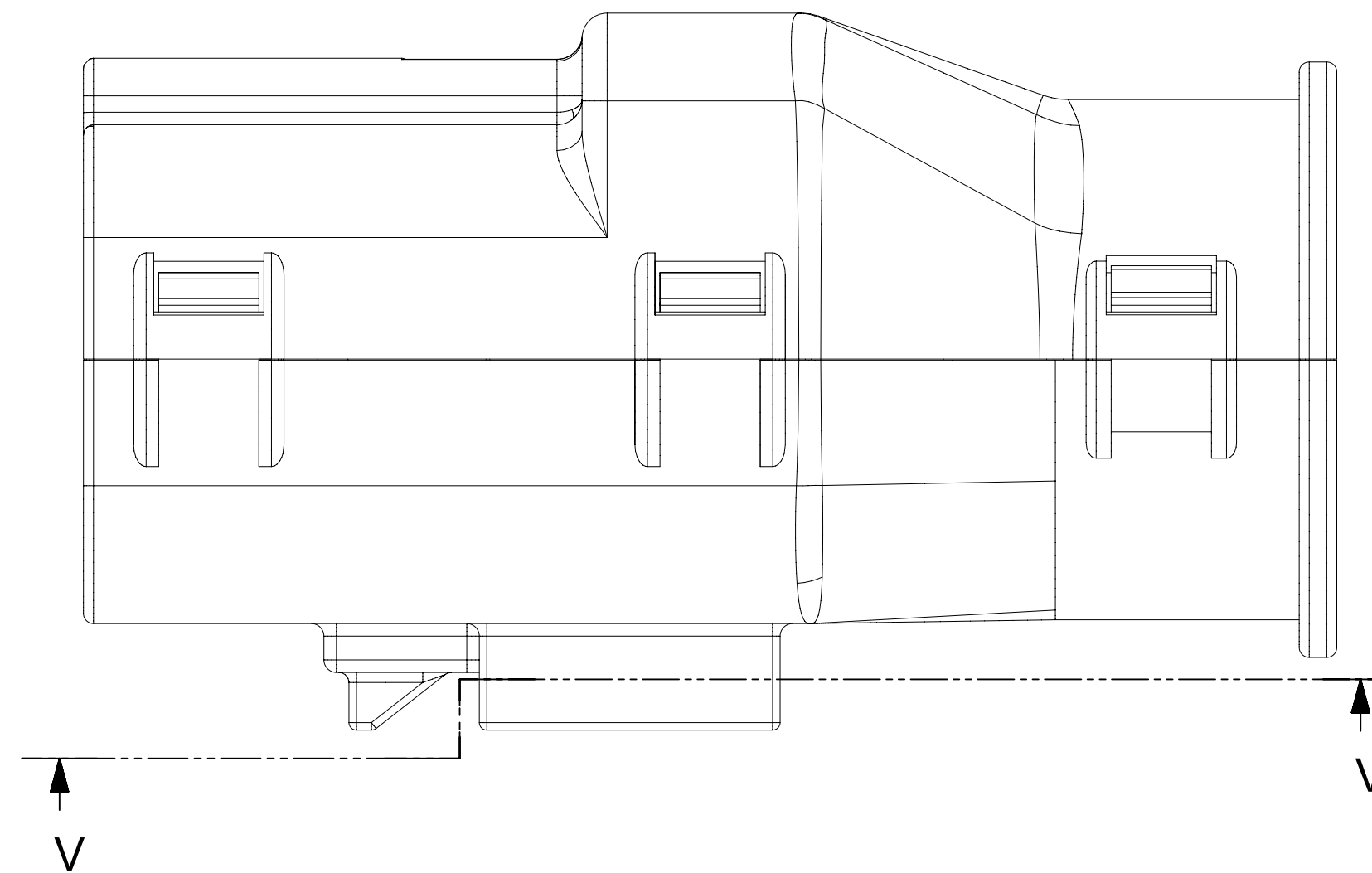
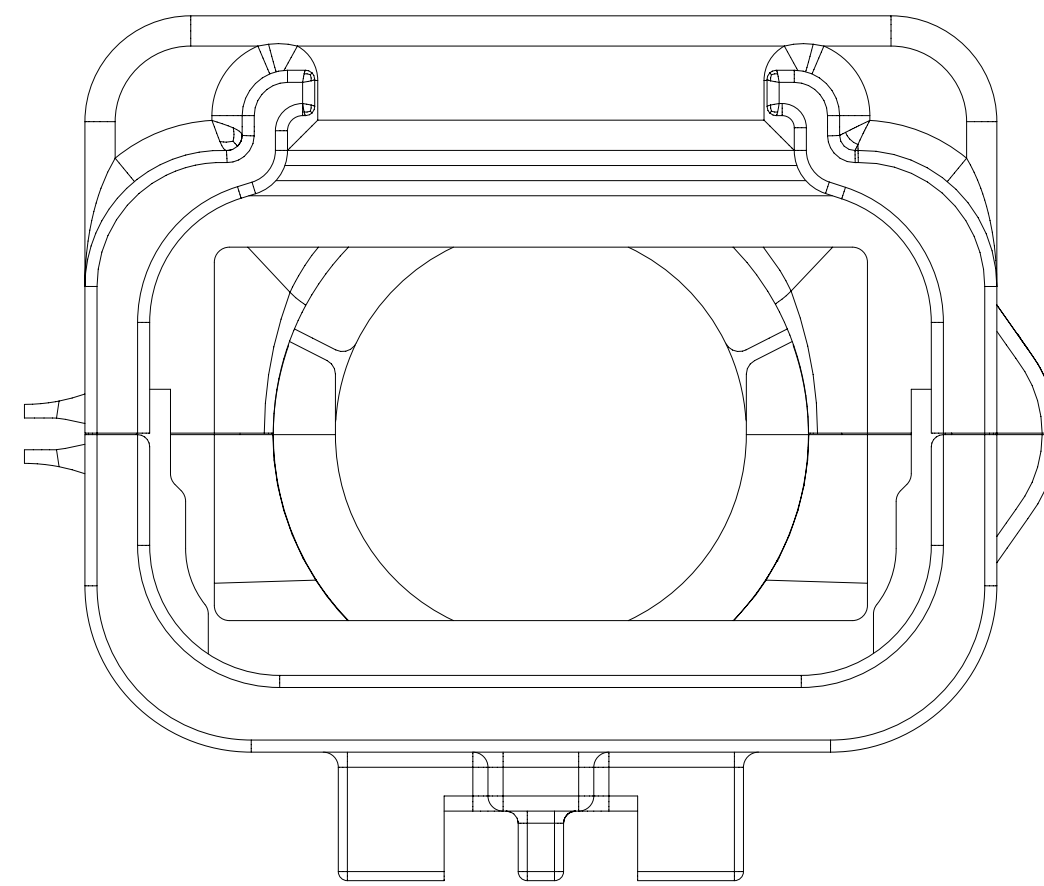
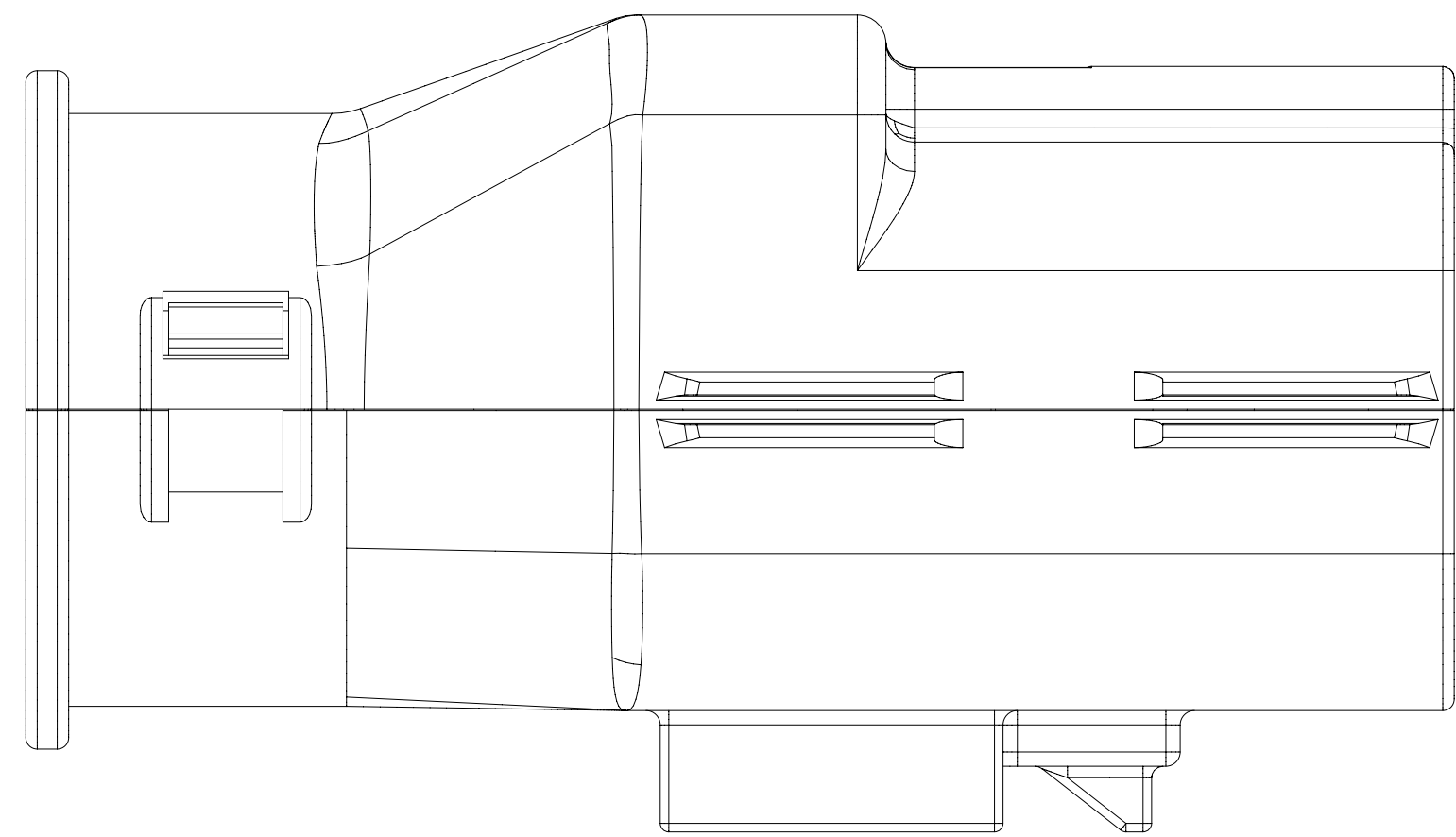
SECTION Y-Y



SECTION Z-Z

SYMBOLS		THIS DRAWING CONTAINS INFORMATION THAT IS PROPRIETARY TO MOLEX ELECTRONIC TECHNOLOGIES, LLC AND SHOULD NOT BE USED WITHOUT WRITTEN PERMISSION		CURRENT REV DESC:		molex	
▽ = 0	DIMENSION UNITS	mm	SCALE	1:1	EC NO: 171650		MX150 RCPT DUAL ROW SEALED ASSEMBLY MAT SEAL
▽ = 0	GENERAL TOLERANCES (UNLESS SPECIFIED)				DRWN: DDEB	2018/01/19	
▽ = 0	ANGULAR TOL	±	1.0°		CHK'D: MVANSLAMBROU	2018/02/16	
▽ = 0	4 PLACES	±			APPR: MVANSLAMBROU	2018/02/16	
▽ = 0	3 PLACES	±			INITIAL REVISION:		
▽ = 0	2 PLACES	±	0.1		DRWN: APROFFITT	2014/05/14	
▽ = 0	1 PLACE	±	0.2		APPR: VKOSHY	2014/06/27	
▽ = 0	0 PLACES	±			DRAFT WHERE APPLICABLE MUST REMAIN WITHIN DIMENSIONS		
▽ = 0					THIRD ANGLE PROJECTION	DRAWING	SERIES
					A1-SIZE	33472	
DOCUMENT STATUS		P1	RELEASE DATE	2018/02/16	22:02:25	SD-33472-0001	
						PSD	001
						C2	
						GENERAL MARKET	5 OF 11

SHEET DESCRIPTION
SCHLEMMER BACKSHELL

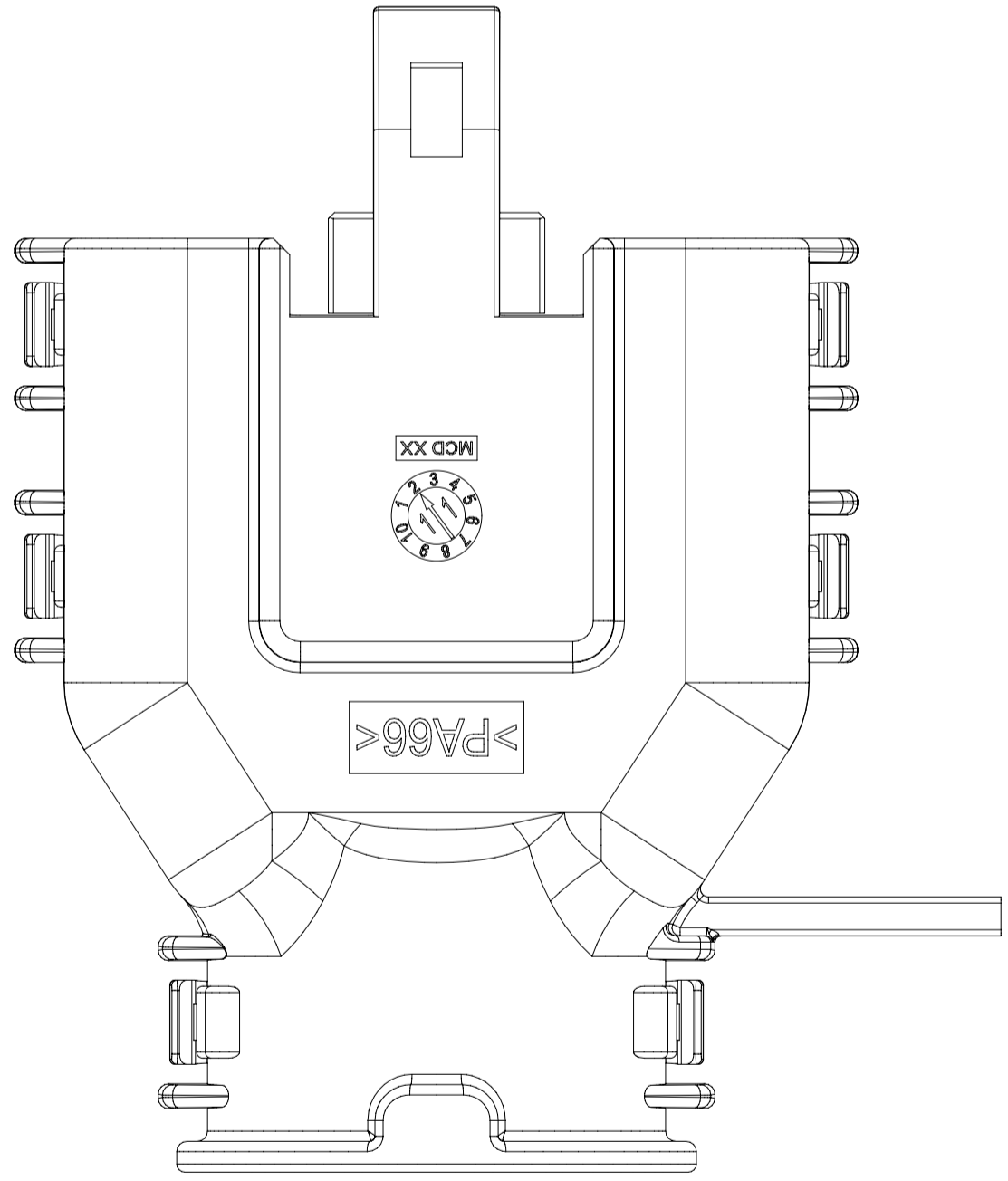
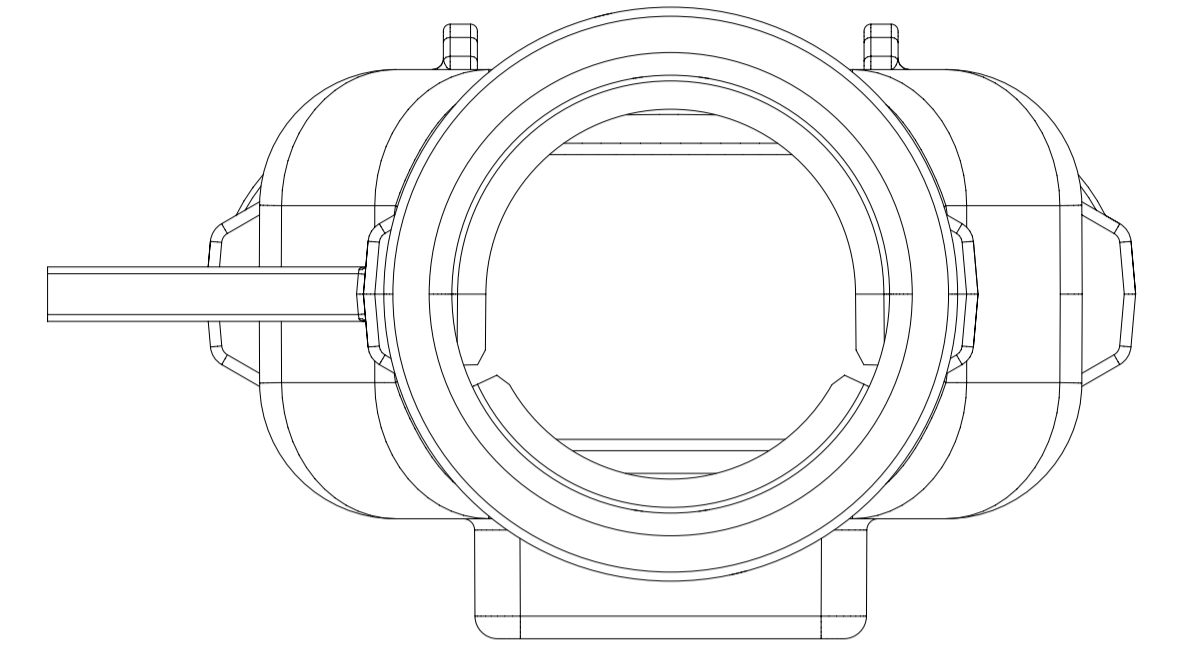
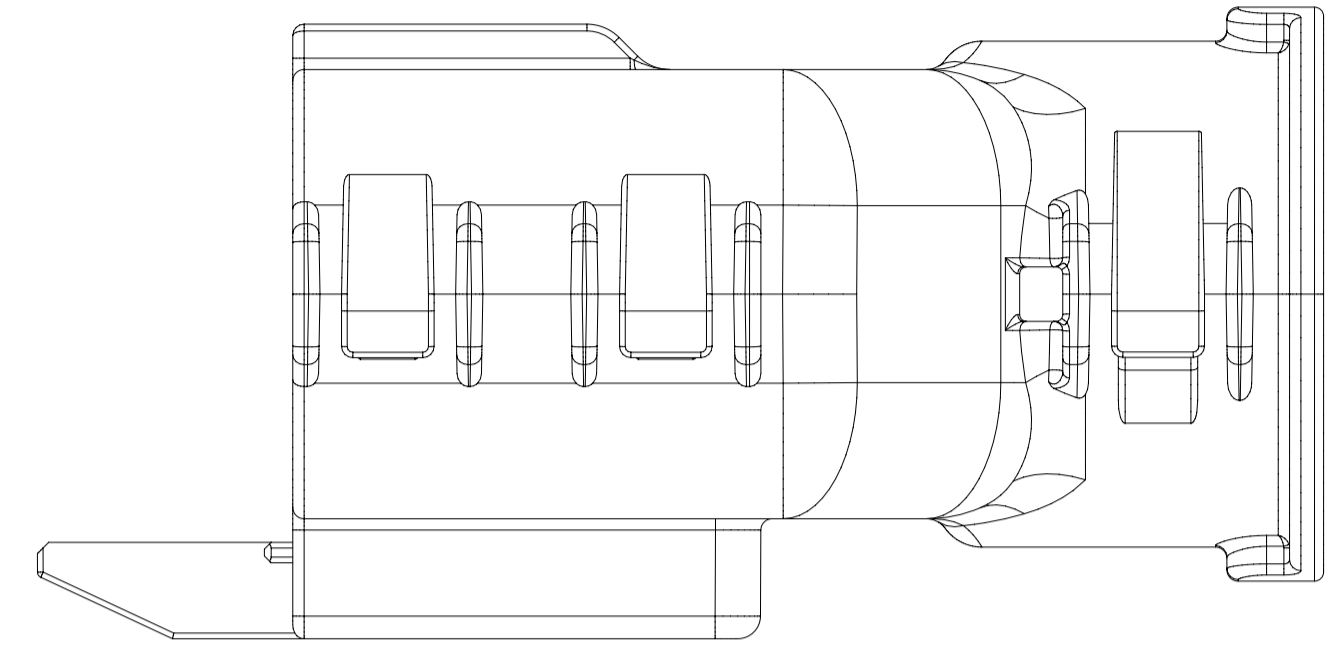
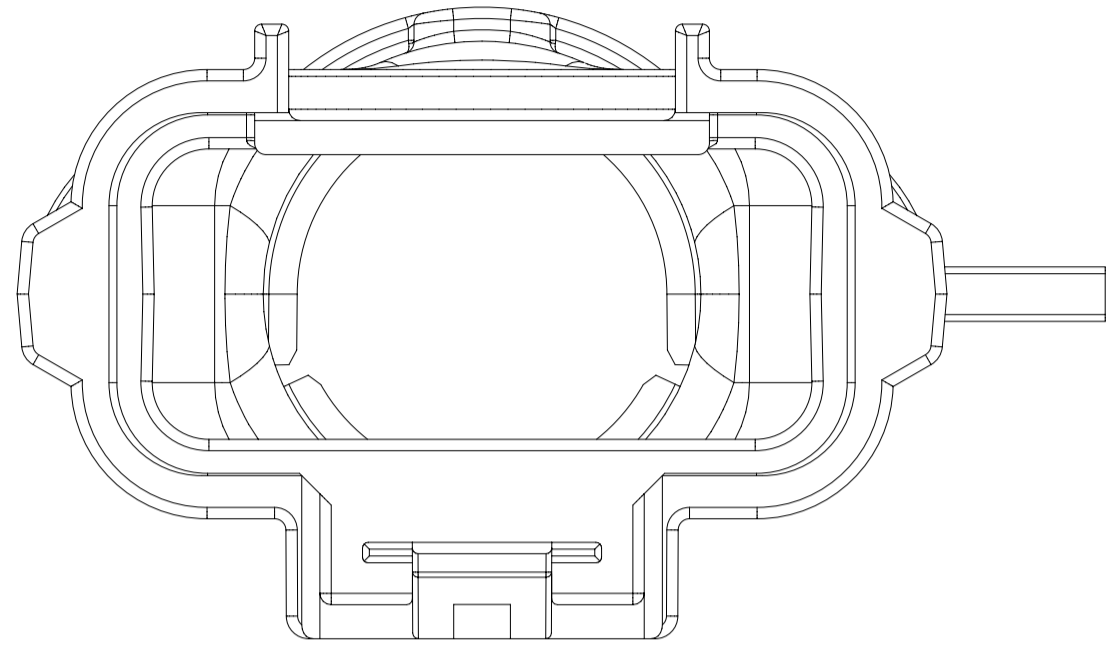
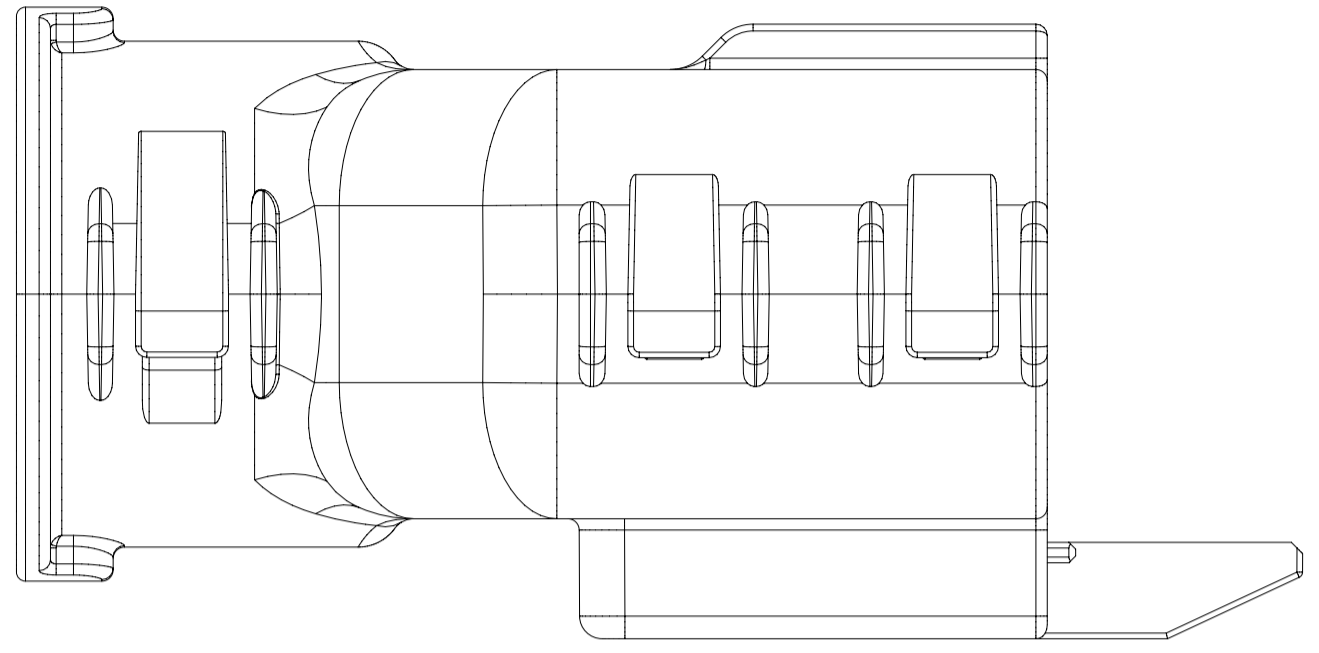


Partial V-V
SCALE 4:1

SYMBOLS		THIS DRAWING CONTAINS INFORMATION THAT IS PROPRIETARY TO MOLEX ELECTRONIC TECHNOLOGIES, LLC AND SHOULD NOT BE USED WITHOUT WRITTEN PERMISSION		CURRENT REV DESC:				
DIMENSION UNITS	SCALE							
= 0	mm	4:1		EC NO: 171650		MX150 RCPT DUAL ROW SEALED ASSEMBLY MAT SEAL		
= 0	GENERAL TOLERANCES (UNLESS SPECIFIED)		DRWN: DDEB 2018/01/19		PRODUCT CUSTOMER DRAWING			
= 0	ANGULAR TOL ± 1.0°		CHK'D: MVANSLAMBROU 2018/02/16					
= 0	4 PLACES	±		APPR: MVANSLAMBROU 2018/02/16		DOCUMENT NUMBER: SD-33472-0001 DOC TYPE: PSD DOC PART: 001 REVISION: C2		
= 0	3 PLACES	±		INITIAL REVISION:				
= 0	2 PLACES	± 0.1		DRWN: APROFFITT 2014/05/14		MATERIAL NUMBER: 33472 CUSTOMER: GENERAL MARKET SHEET NUMBER: 7 OF 11		
= 0	1 PLACE	± 0.2		APPR: VKOSHY 2014/06/27				
= 0	0 PLACES	±		THIRD ANGLE PROJECTION		DRAWING: A1-SIZE SERIES: 33472		
= 0	DRAFT WHERE APPLICABLE MUST REMAIN WITHIN DIMENSIONS							

18 17 16 15 14 13 12 11 10 9 8 7 6 5 4 3 2 1

SHEET DESCRIPTION
MOLEX BACKSHELL



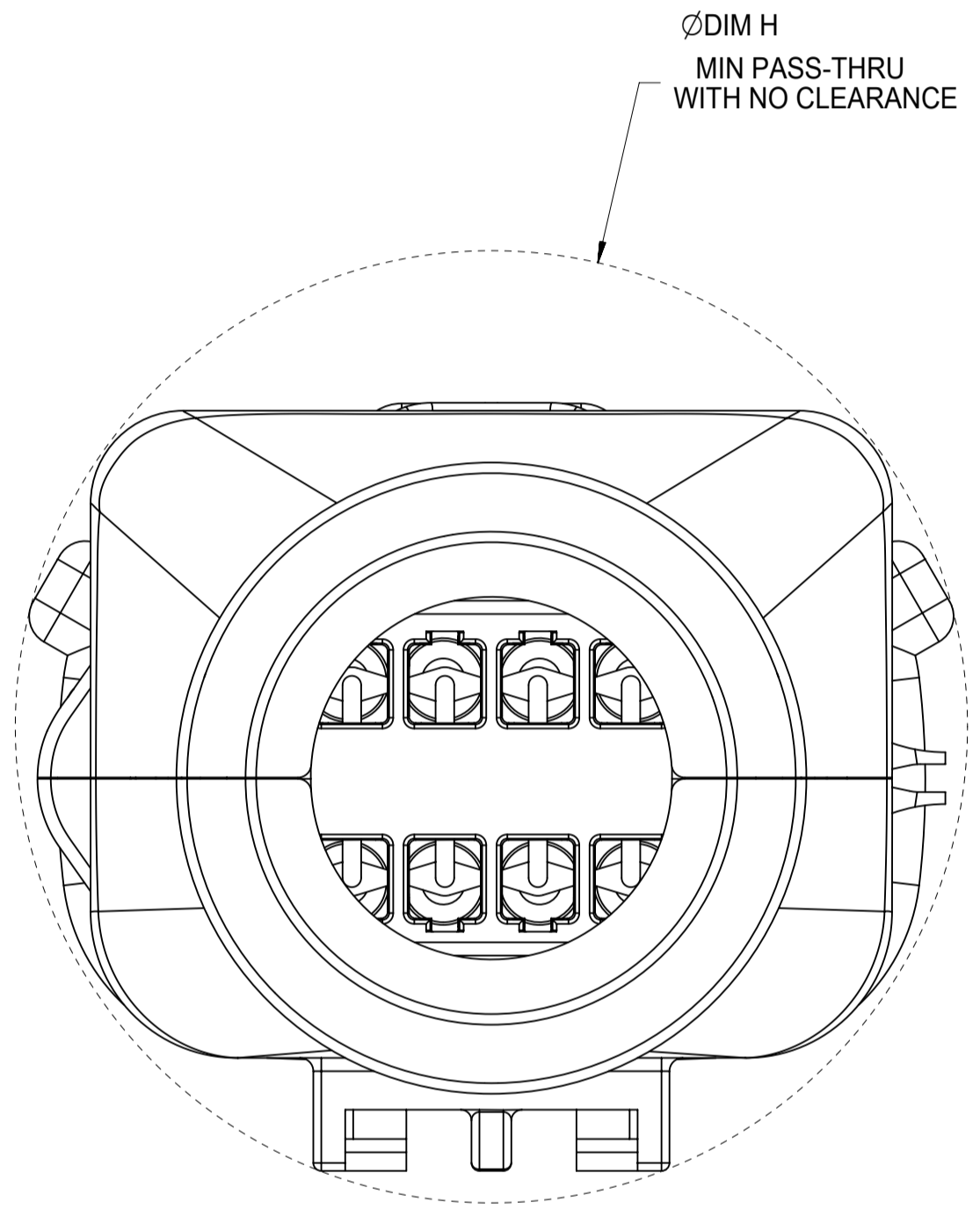
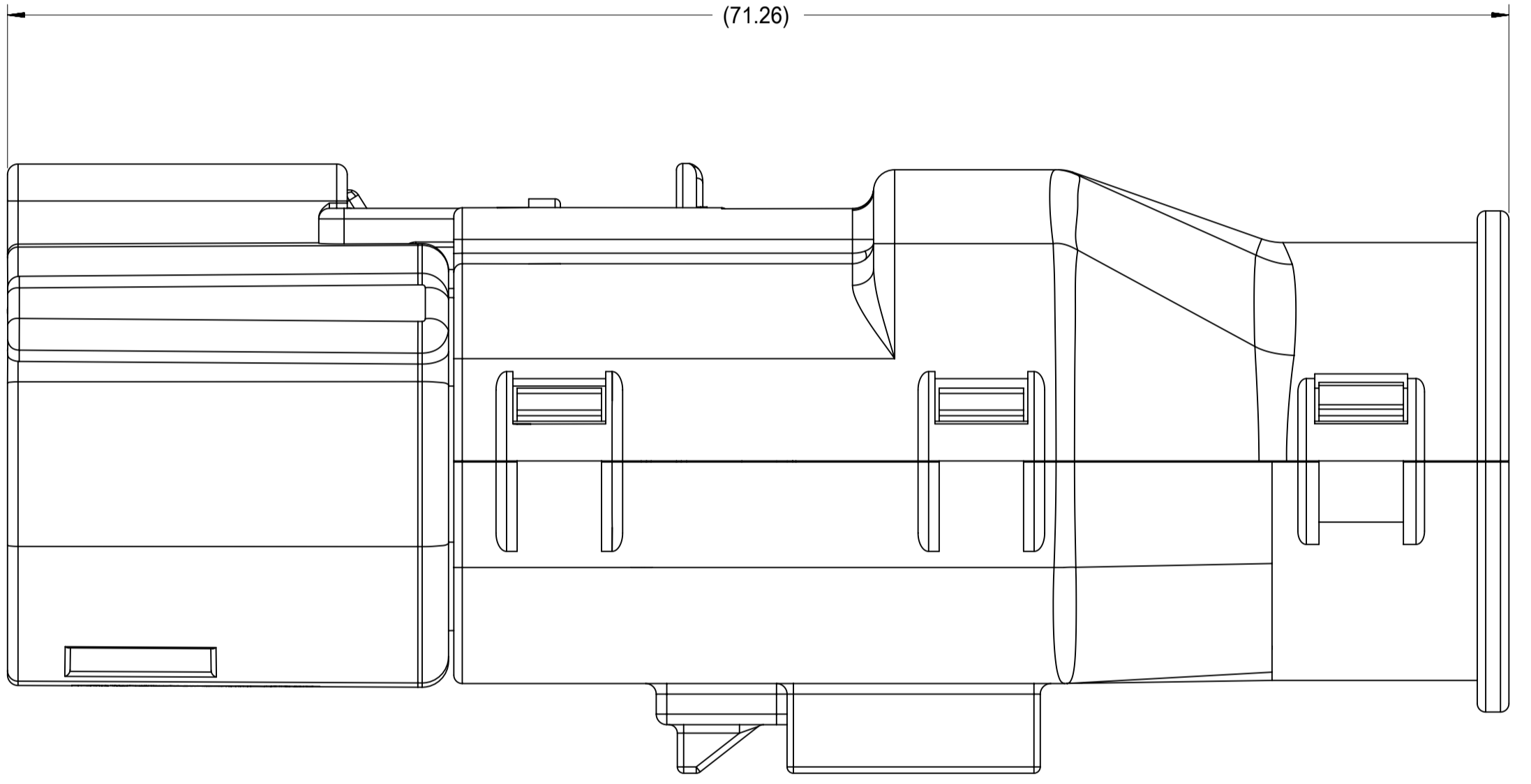
SYMBOLS ▽ = 0 ▽ = 0 ▽ = 0 ▽ = 0 ▽ = 0 ▽ = 0 ▽ = 0 ▽ = 0 ▽ = 0 ▽ = 0 ▽ = 0	THIS DRAWING CONTAINS INFORMATION THAT IS PROPRIETARY TO MOLEX ELECTRONIC TECHNOLOGIES, LLC AND SHOULD NOT BE USED WITHOUT WRITTEN PERMISSION		CURRENT REV DESC:				
	DIMENSION UNITS	SCALE	EC NO: 171650				
	mm	3:1	DRWN: DDEB 2018/01/19		DUAL ROW SEALED ASSEMBLY MAT SEAL		
	GENERAL TOLERANCES (UNLESS SPECIFIED)		CHK'D: MVANSLAMBROU 2018/02/16		PRODUCT CUSTOMER DRAWING		
	ANGULAR TOL ± 1.0°		APPR: MVANSLAMBROU 2018/02/16		DOCUMENT NUMBER		
	4 PLACES ±		INITIAL REVISION:		SD-33472-0001		
	3 PLACES ±		DRWN: APROFFITT 2014/05/14		PSD 001 C2		
	2 PLACES ± 0.1		APPR: VKOSHY 2014/06/27		DOC TYPE DOC PART REVISION		
	1 PLACE ± 0.2		THIRD ANGLE PROJECTION		MATERIAL NUMBER		
	0 PLACES ±		DRAWING		CUSTOMER		
DRAFT WHERE APPLICABLE MUST REMAIN WITHIN DIMENSIONS		A1-SIZE		GENERAL MARKET			
		SERIES		SHEET NUMBER			
		33472		8 OF 11			

DOCUMENT STATUS	P1	RELEASE DATE	2018/02/16 22:02:25
-----------------	----	--------------	---------------------

18 17 16 15 14 13 12 11 10 9 8 7 6 5 4 3 2 1

SHEET DESCRIPTION	
SCHLEMMER BACKSHELL CONFIGURATIONS	

CHARTED DIMENSIONS	
DESCRIPTION	DIMENSIONS
	H
2X3 W/ CLIPSLOT	N/A
2X3 W/O CLIPSLOT	28.50
2X4 W/ CLIPSLOT	N/A
2X4 W/O CLIPSLOT	30.75
2X6 W/ CLIPSLOT	N/A
2X6 W/O CLIPSLOT	35.83

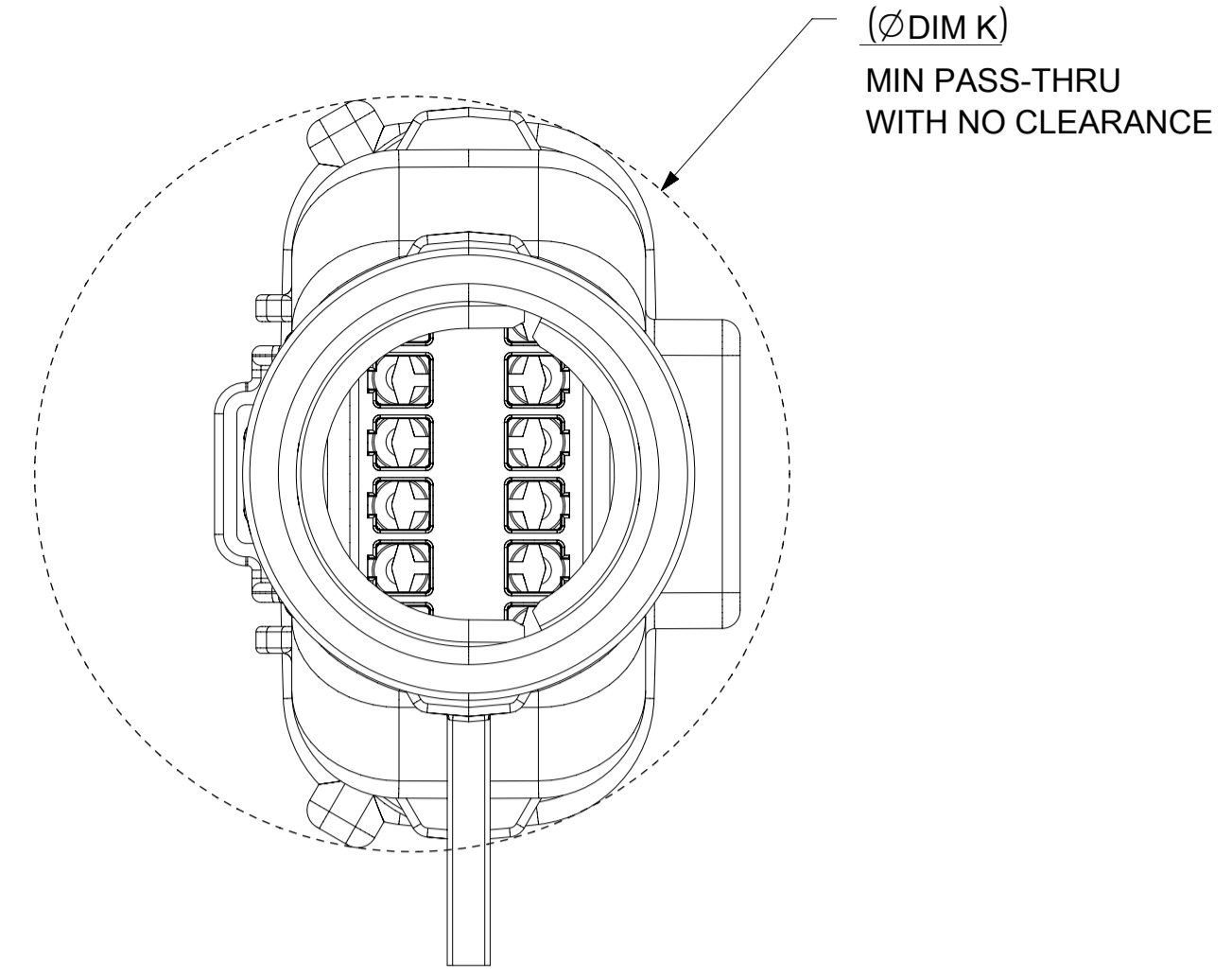
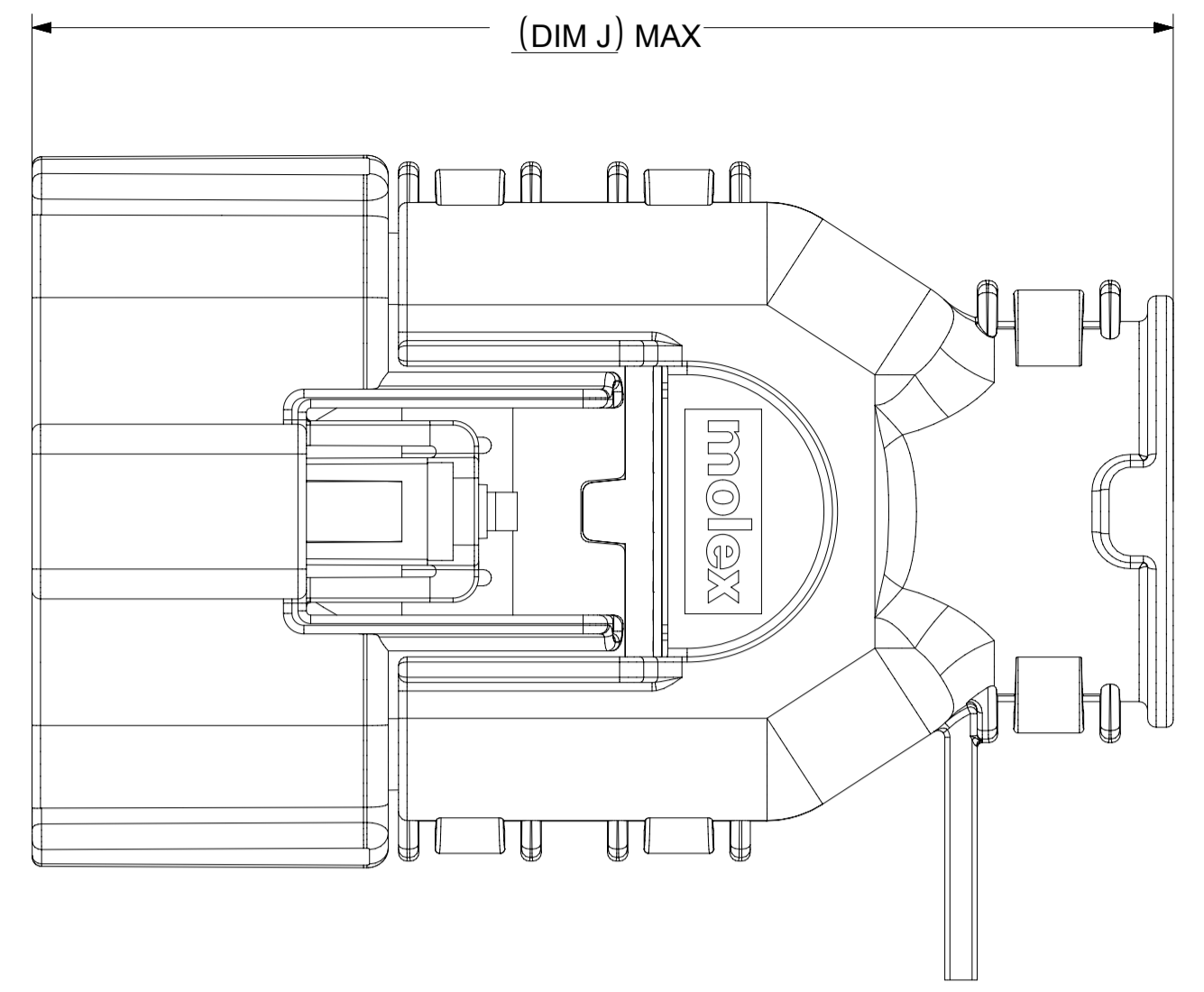


RECEPTACLE SEALED ASSEMBLY WITH RECEPTACLE BACKSHELL

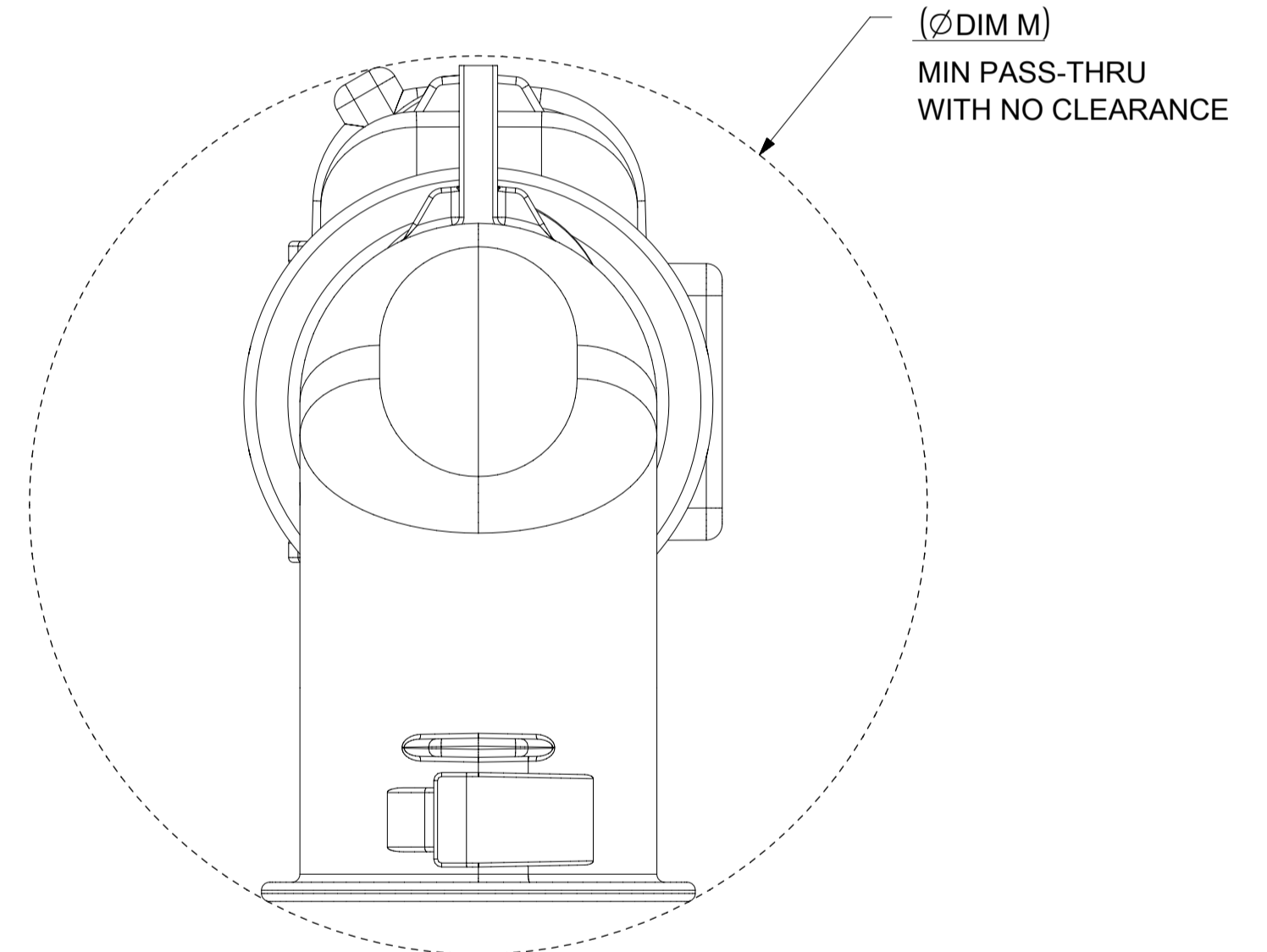
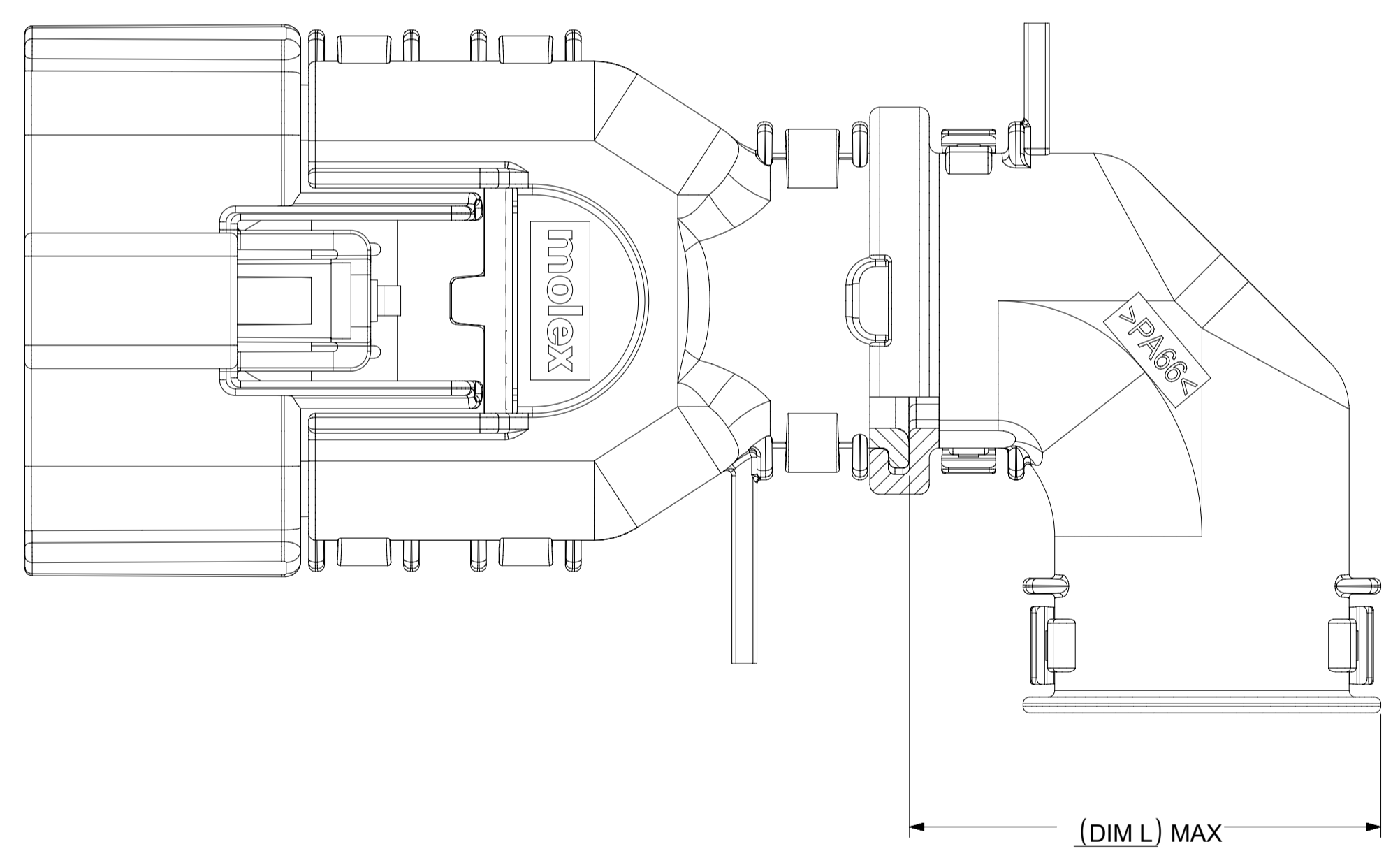
QUALITY SYMBOLS FA = 0 FE = 0 FE = 0 ▼ = 0 C = 0 ☒ = 0 ■ = 0 ∇ = 0	THIS DRAWING CONTAINS INFORMATION THAT IS PROPRIETARY TO MOLEX ELECTRONIC TECHNOLOGIES, LLC AND SHOULD NOT BE USED WITHOUT WRITTEN PERMISSION										
	EC NO: 171650 DRWN: DDEB CHKD: MYANSLAMBROU APPR: MYANSLAMBROU	GENERAL TOLERANCES (UNLESS SPECIFIED) mm SCALE: 4:1		DIMENSION UNITS: mm SCALE: 4:1				MX150 RCPT DUAL ROW SEALED ASSEMBLY MAT SEAL			
		ANGULAR TOL ± 1.0 °		DRWN BY: APROFFITT DATE: 2014/05/14							
	4 PLACES ± 3 PLACES ± 2 PLACES ± 0.1 1 PLACE ± 0.2 0 PLACES ±		CHK'D BY: KBORUSZEWSKI DATE: 2014/06/16		APPR BY: VKOSHY DATE: 2014/06/27		PRODUCT CUSTOMER DRAWING				
DRAFT WHERE APPLICABLE MUST REMAIN WITHIN DIMENSIONS		DRAWING SIZE: A1 THIRD ANGLE PROJECTION		SERIES: 33472 MATERIAL NUMBER:		CUSTOMER: GENERAL MARKET					
C2		DOCUMENT NUMBER: SD-33472-0001		DOC TYPE: PSD		DOC PART: 001		SHEET NUMBER: 9 OF 11			

SHEET DESCRIPTION
MOLEX BACKSHELL CONFIGURATIONS

DESCRIPTION	DIMENSIONS			
	J	K	L	M
2X2 W/O CLIPSLOT	TBD	TBD	TBD	TBD
2X2 W/ CLIP SLOT	TBD	TBD	TBD	TBD
2X2 LENGTHENED	TBD	TBD	TBD	TBD
2X4 W/ CLIPSLOT	58.39	32.85	32.10	44.26
2X4 W/O CLIPSLOT	N/A	N/A	N/A	N/A
2X8 W/ CLIPSLOT	67.19	42.65	36.10	56.49
2X8 W/O CLIPSLOT	N/A	N/A	N/A	N/A
2X10 W/ CLIPSLOT	67.19	42.65	36.10	56.49
2X10 W/O CLIPSLOT	N/A	N/A	N/A	N/A

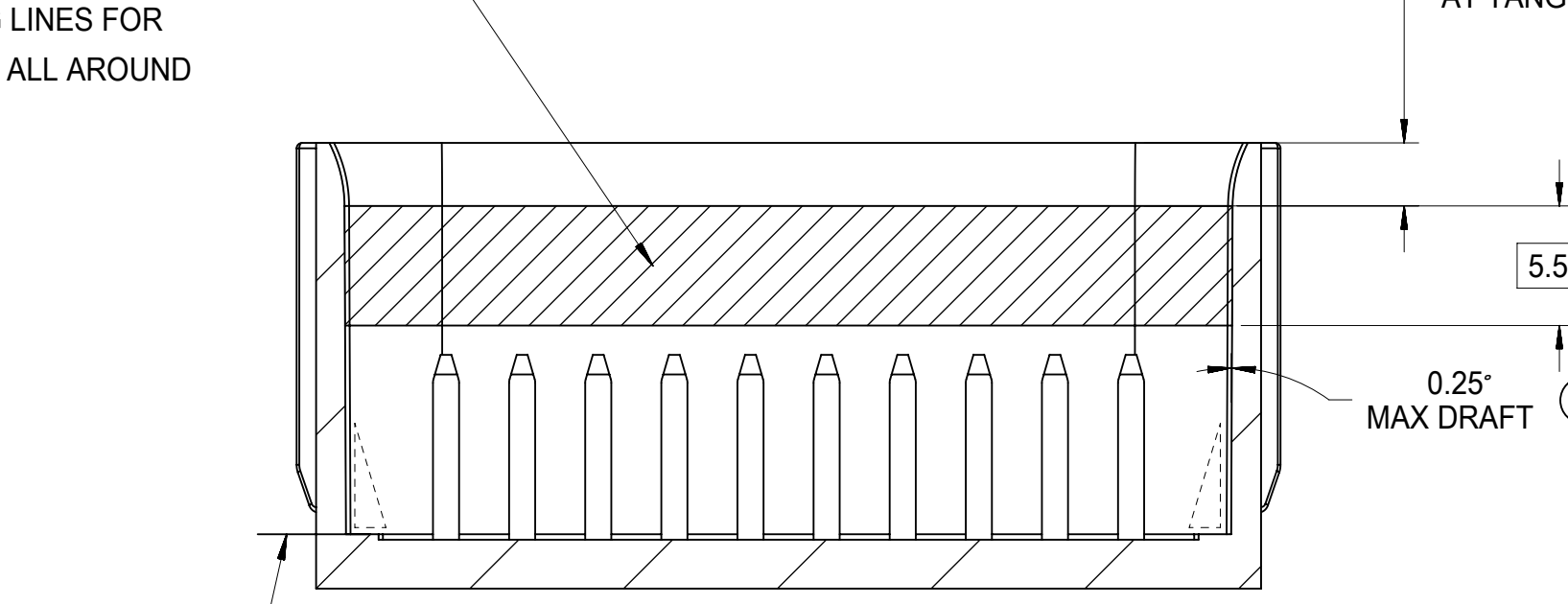
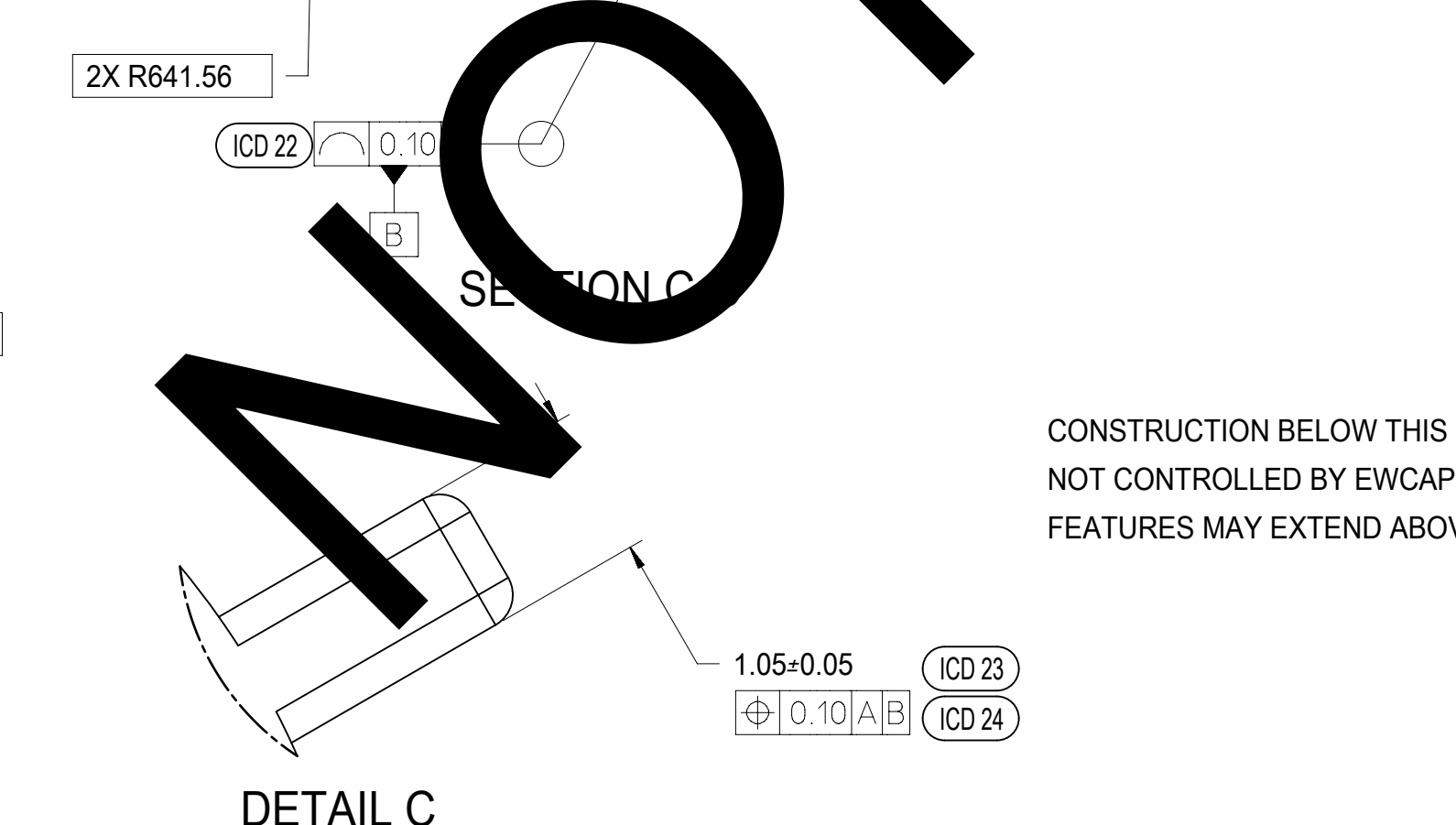
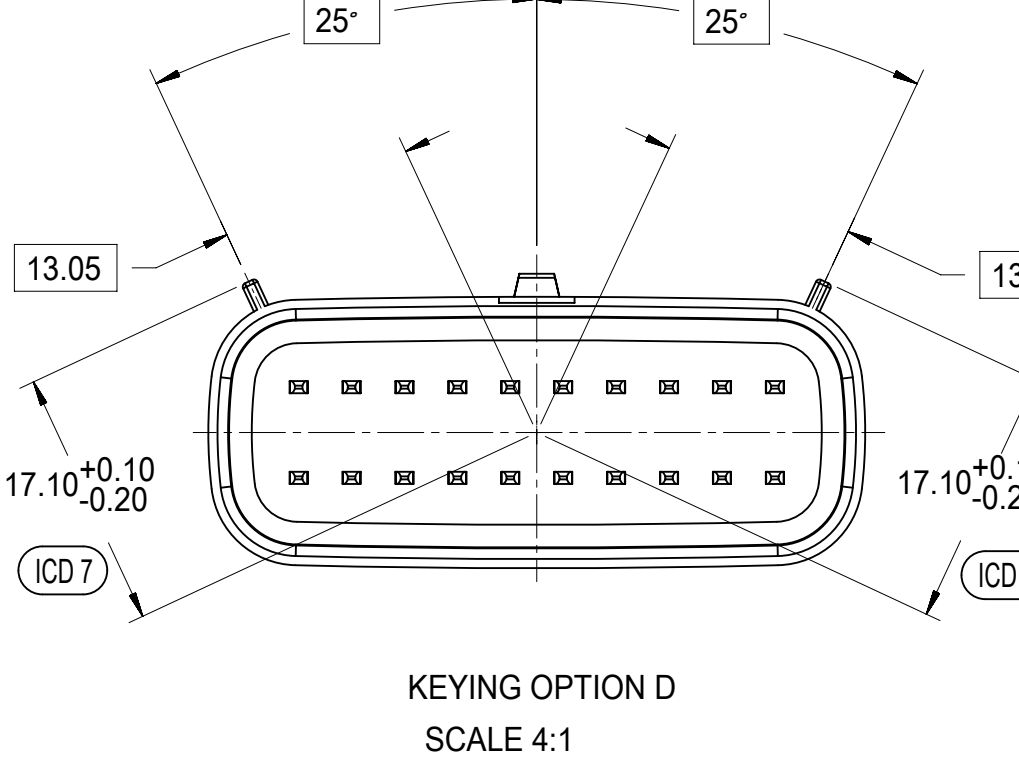
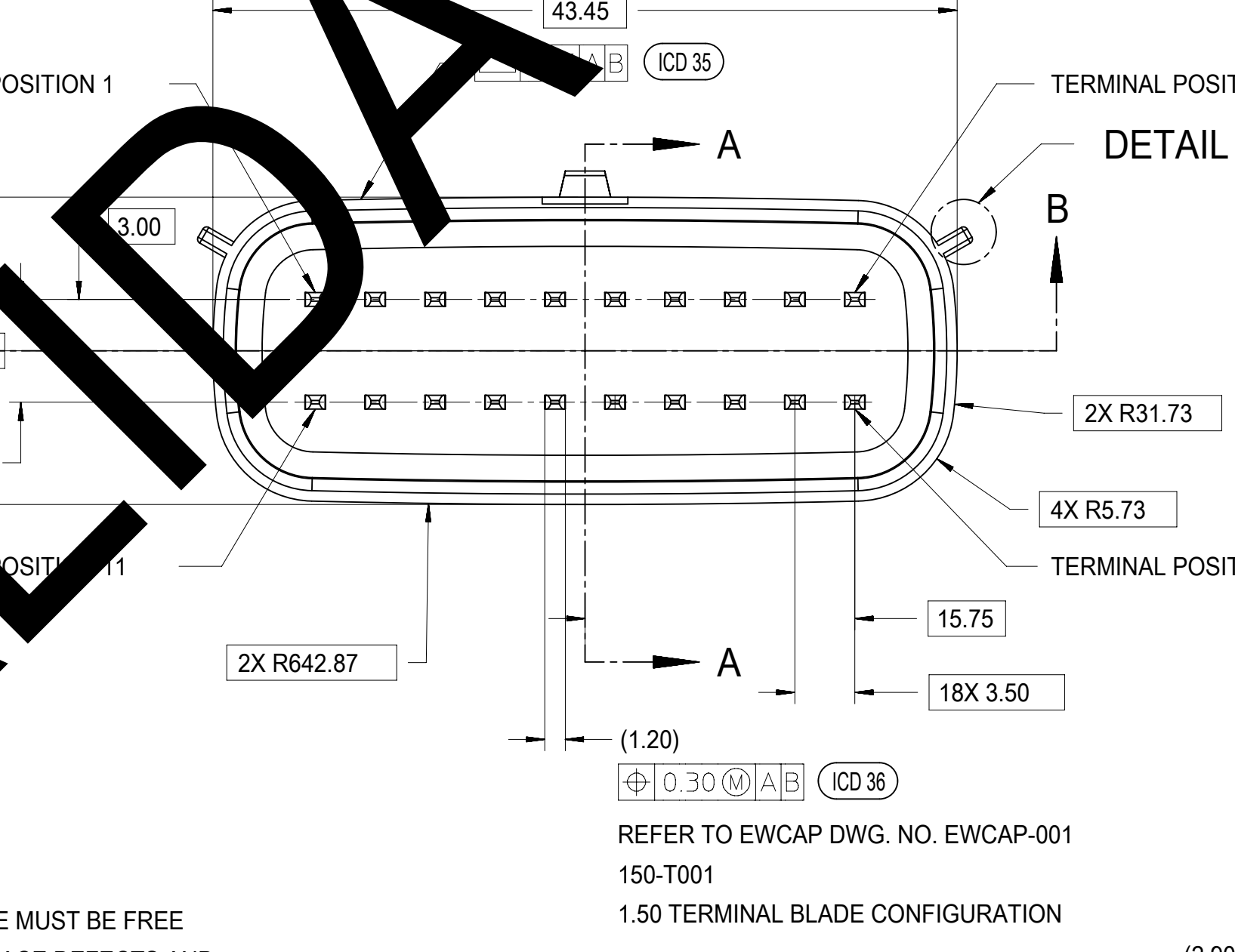
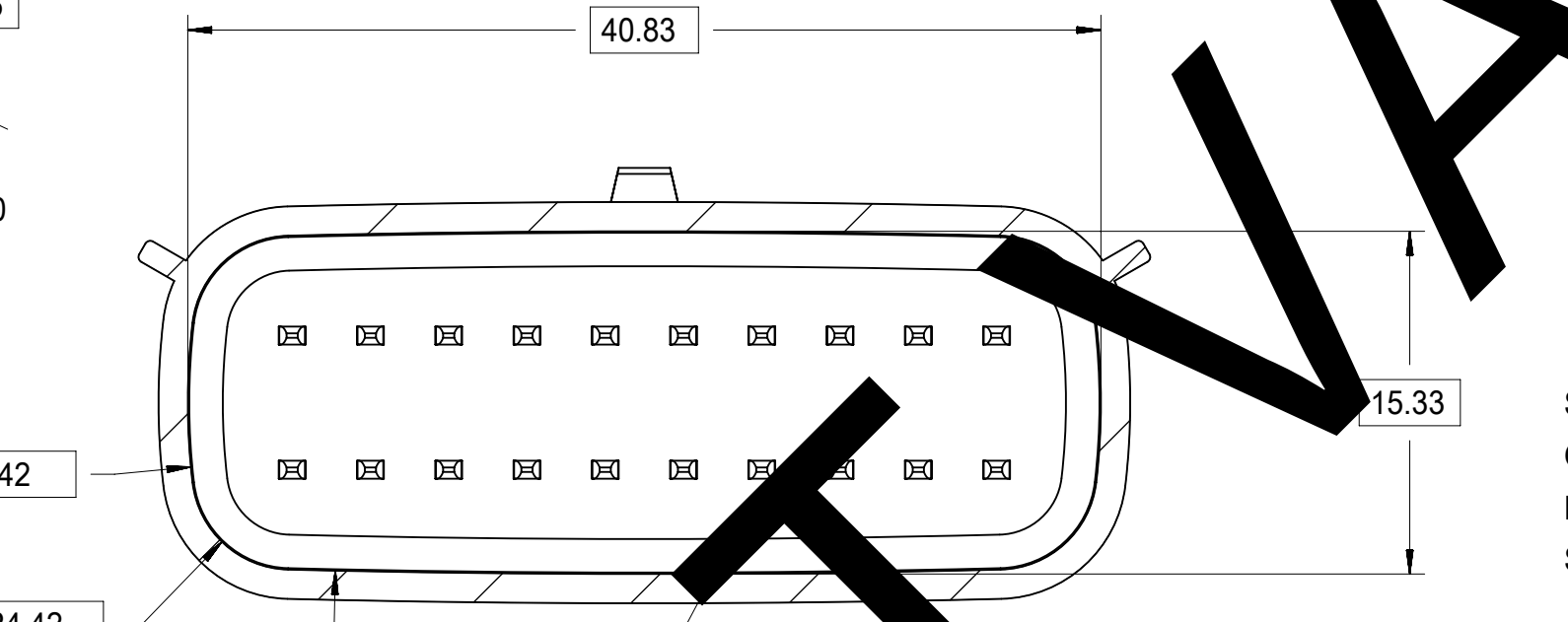
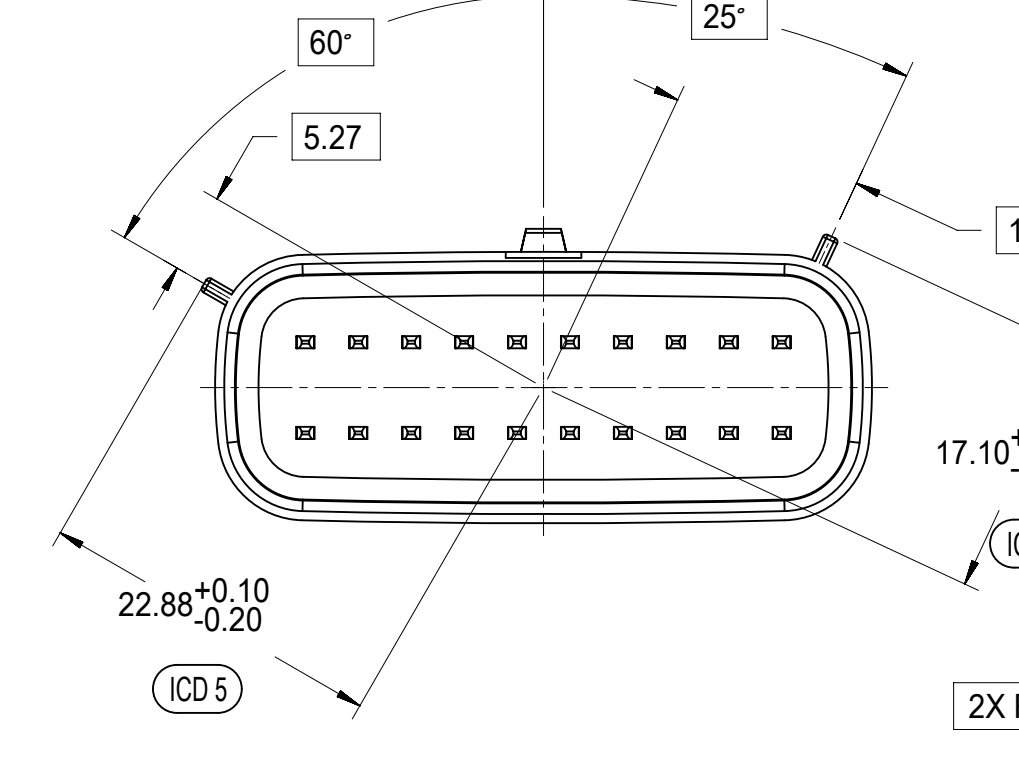
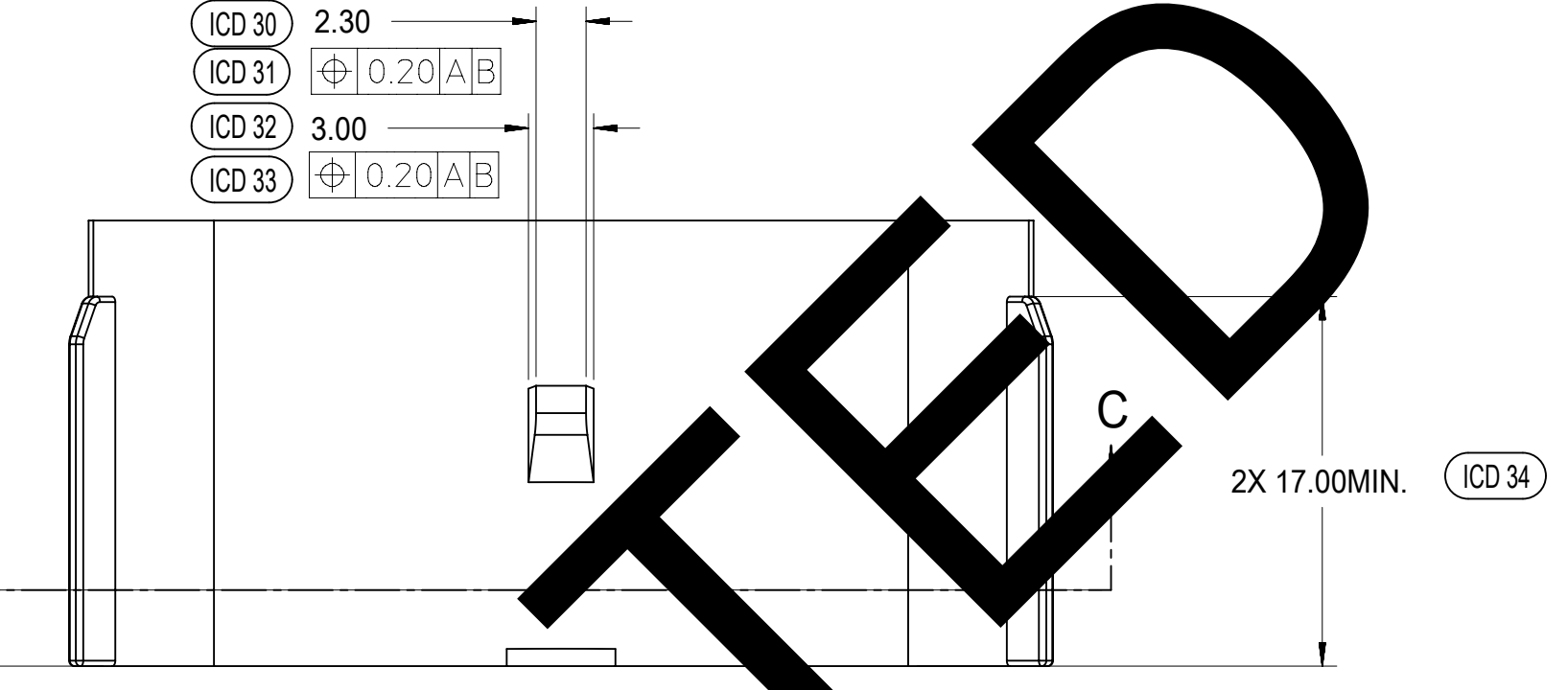
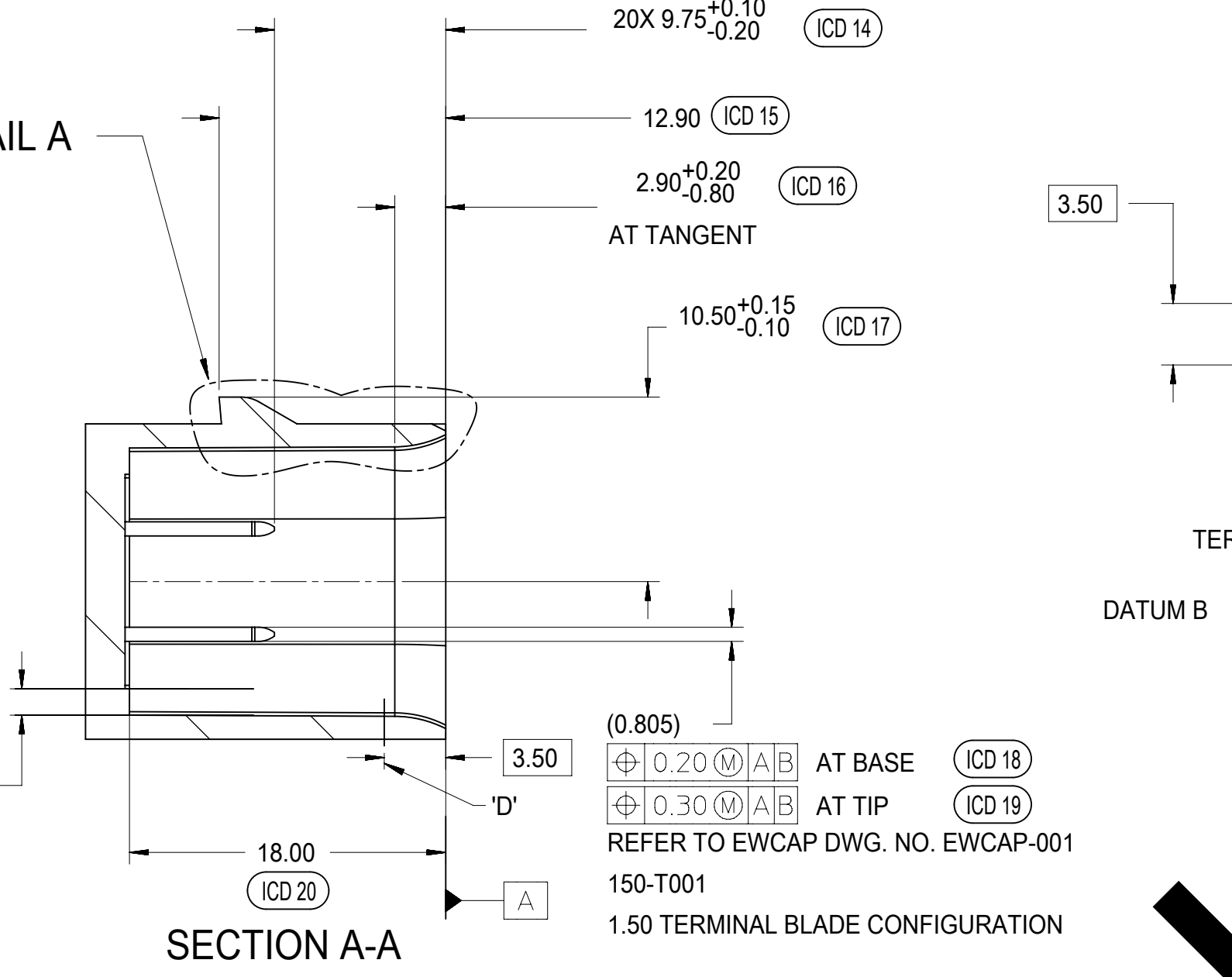
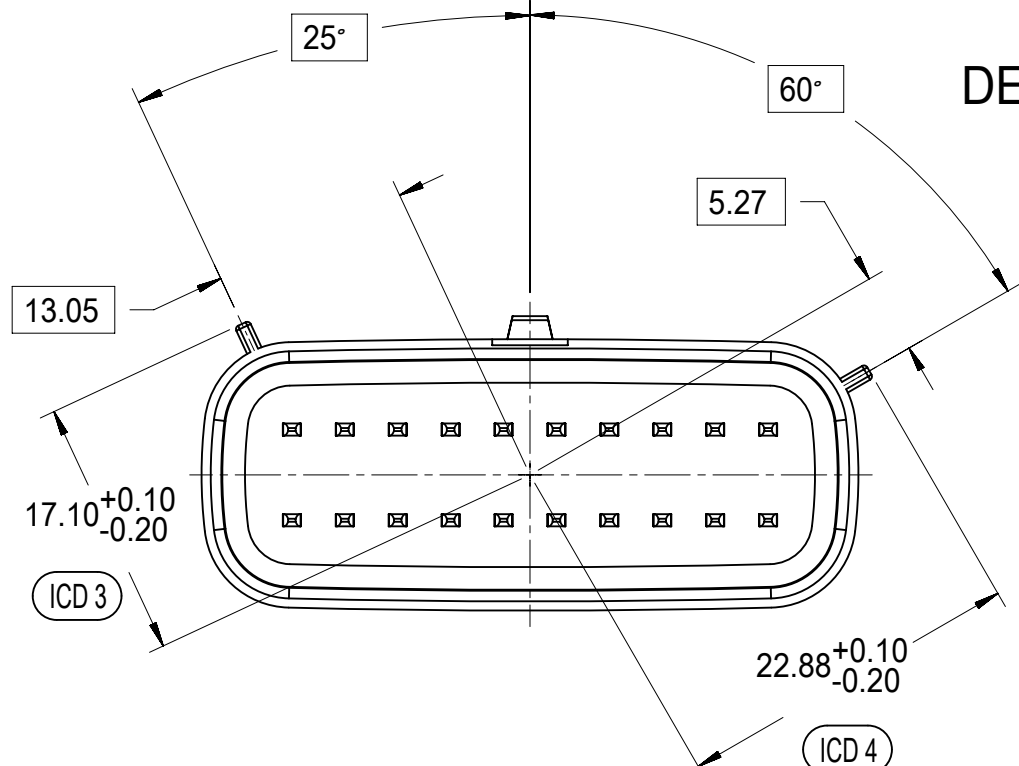
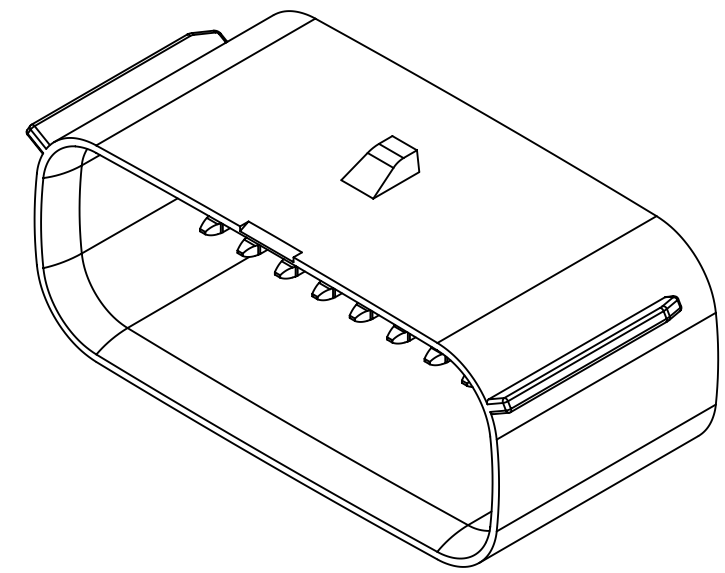
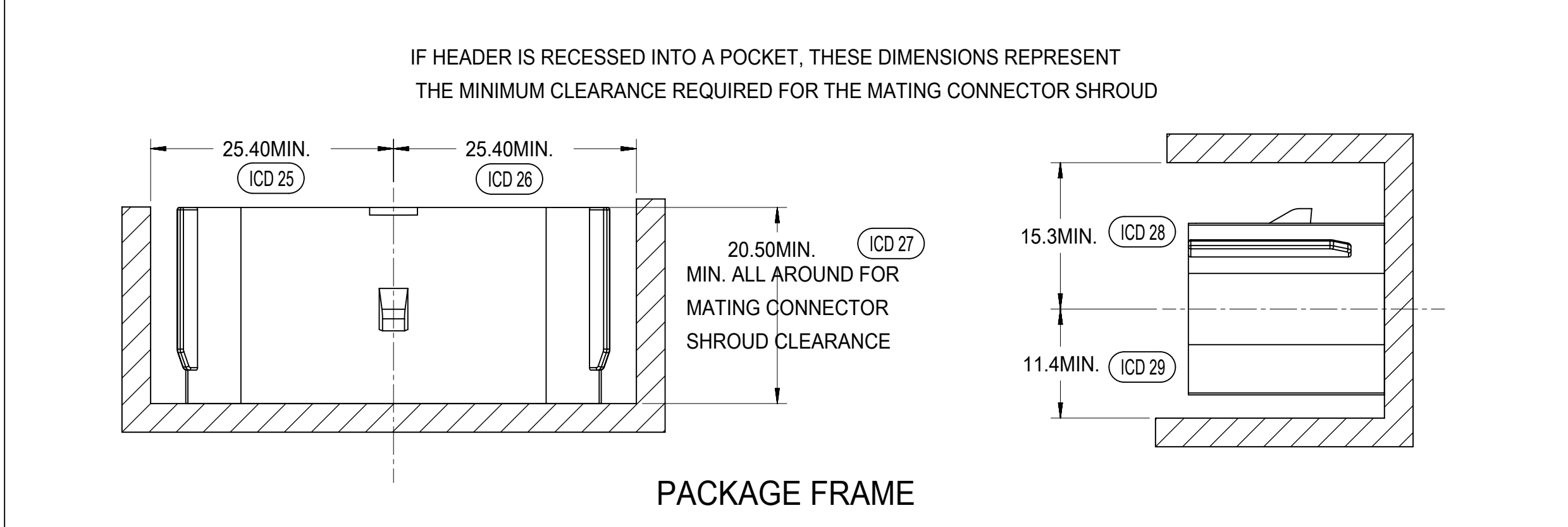
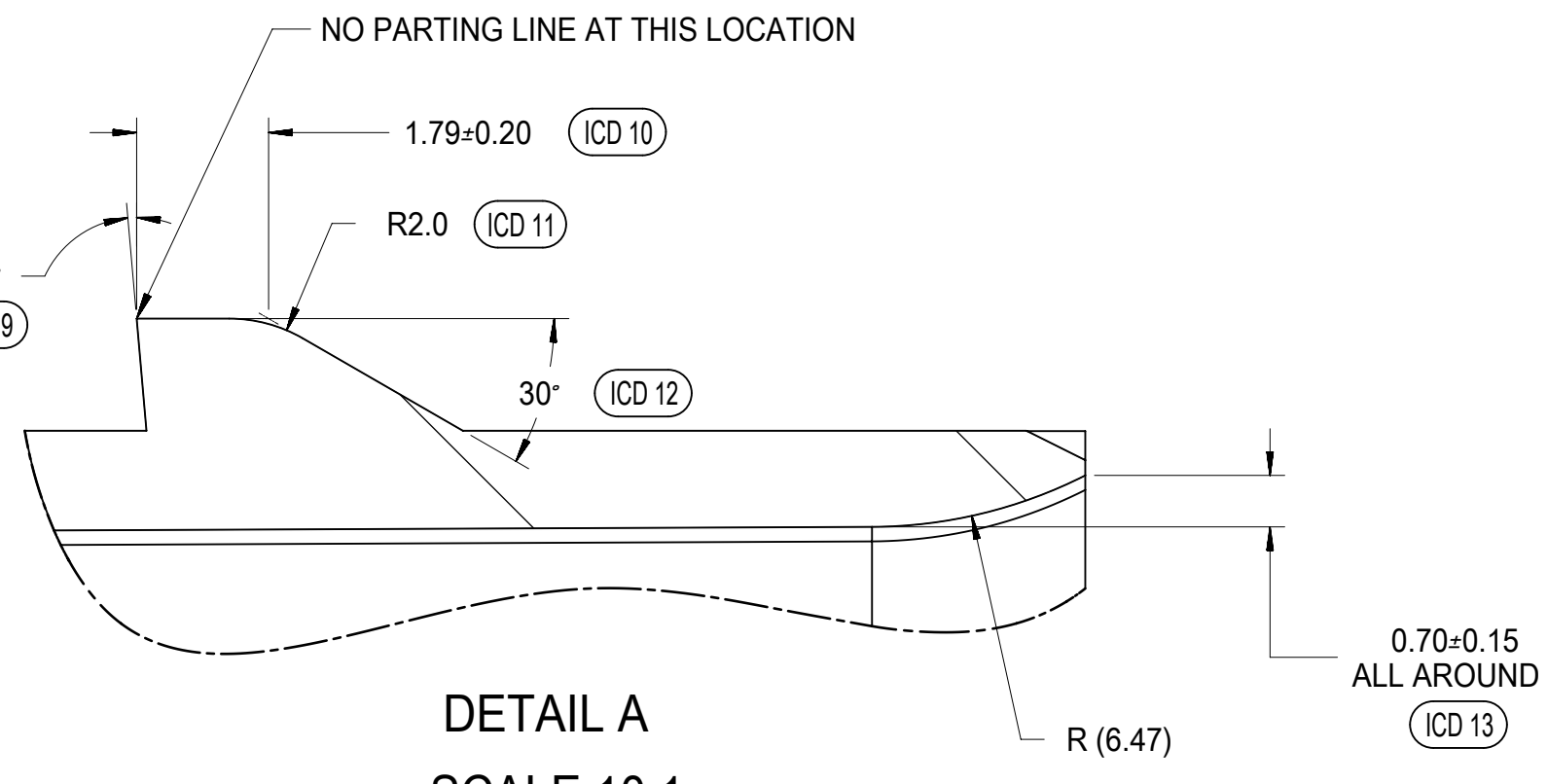
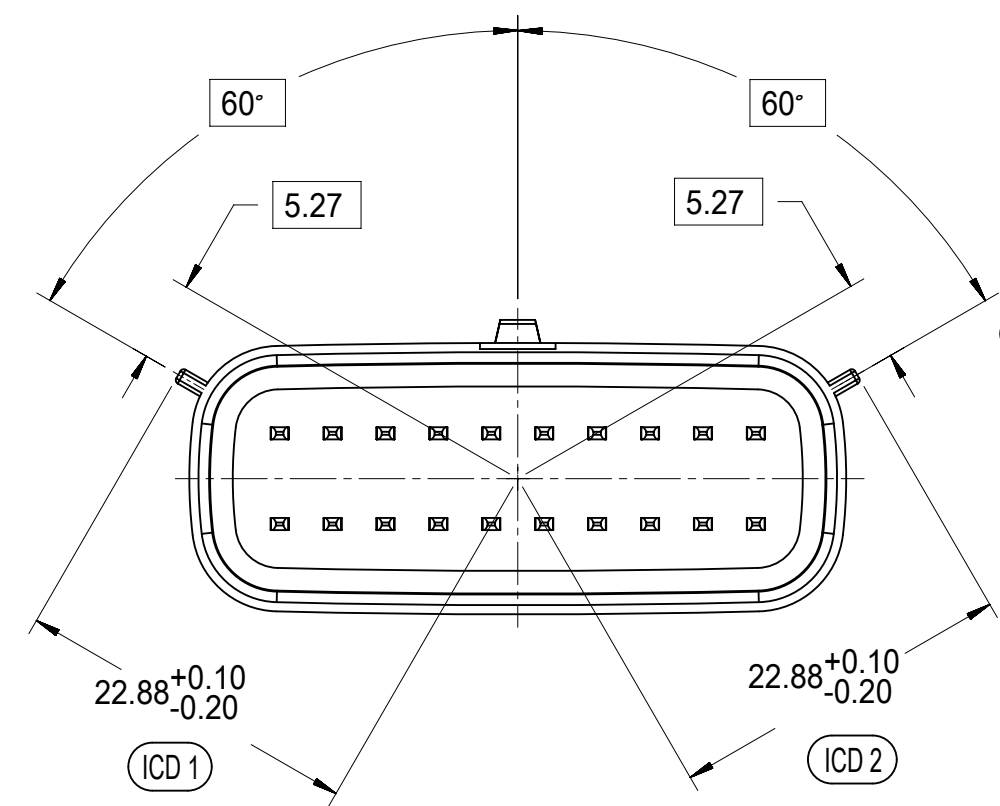


RECEPTACLE SEALED ASSEMBLY WITH RECEPTACLE BACKSHELL



ADD THE VALUE OF 'L' TO THE TOTAL DIMENSION
WHENEVER ADAPTOR IS USED

SYMBOLS THIS DRAWING CONTAINS INFORMATION THAT IS PROPRIETARY TO MOLEX ELECTRONIC TECHNOLOGIES, LLC AND SHOULD NOT BE USED WITHOUT WRITTEN PERMISSION DIMENSION UNITS: mm SCALE: 2.5:1 GENERAL TOLERANCES (UNLESS SPECIFIED): ANGULAR TOL: ± 1.0° 4 PLACES: ± 3 PLACES: ± 2 PLACES: ± 0.1 1 PLACE: ± 0.2 0 PLACES: ± DRAFT WHERE APPLICABLE MUST REMAIN WITHIN DIMENSIONS	CURRENT REV DESC: EC NO: 171650 DRWN: DDEB 2018/01/19 CHK'D: MVANSLAMBROU 2018/02/16 APPR: MVANSLAMBROU 2018/02/16					
	INITIAL REVISION: DRWN: APROFFITT 2014/05/14 APPR: VKOSHY 2014/06/27				PRODUCT CUSTOMER DRAWING DOCUMENT NUMBER: SD-33472-0001 DOC TYPE: PSD DOC PART: 001 REVISION: C2	
THIRD ANGLE PROJECTION		DRAWING: A1-SIZE	SERIES: 33472	MATERIAL NUMBER:	CUSTOMER: GENERAL MARKET	SHEET NUMBER: 10 OF 11



- MATING INTERFACE NOTES: VALID UNLESS OTHERWISE SPECIFIED
- GENERAL:
 - DESIGNED TO MATE WITH MOLEX CONNECTOR 33472-2XXX & 160008-0XXX & 160074-0XXX. A FULL SHROUD ON THE MATING CONNECTOR IS REQUIRED TO INSURE THAT THE CONNECTOR-HEADER POLARIZATION FEATURES (OPTIONS A THRU D) WILL FUNCTION. THE FULL SHROUD ALSO PREVENTS SCOOP DAMAGE TO THE HEADER PINS. REFER TO 'SAE/USCAR-12 CONNECTOR DESIGN GUIDE LINES' FOR ADDITIONAL INFORMATION.
 - PARTS MUST BE IN COMPLIANCE TO MOLEX CHEMICAL SUBSTANCES FOR PRODUCTS AND PACKAGING SPECIFICATION: ES-40000-5016
 - FLAMMABILITY REQUIREMENT: PER ISO3795 OR GM3191
 - BURN RATE 100mm/MIN MAXIMUM
 - MATERIAL MUST BE SELF EXTINGUISHING
 - MATERIALS:
 - MATERIAL: SPS/NYLON GF20, REGRIND 20% MAX BY WEIGHT
 - STANDARD COLORS FOR POLARIZATION (SEE KEYING OPTIONS TABLE). DEVIATION REQUIRES APPROVAL OF AUTHORIZED PERSON
 - FOR BLADE BASE MATERIAL, PLATING AND PROCESS LUBRICANT:
 - TIN: - BASE MATERIAL: COPPER ALLOY, CONDUCTIVITY >=60% IACS AT 20°C; TENSILE STRENGTH >= 410 N/mm² P - BARRIER MATERIAL: NICKEL DEPOSIT FROM NICKEL SULFAMATE PLATING SOLUTION W/O ANY ADDITIVES THICKNESS: 1.25 - 2.25 MICROMETERS - TOP LAYER: 100% ELECTRO-DEPOSITED TIN, MATTE FINISH THICKNESS: 2.5 - 4.0 MICROMETERS
 - SILVER: - BARRIER MATERIAL: ELECTRO-DEPOSITED DUCTILE SULPHAMATE NICKEL THICKNESS: 1.25 - 2.25 MICROMETERS - TOP LAYER: ELECTRO-DEPOSITED SEMI-BRIGHT PURE SILVER (0.5% MAX IMPURITIES) OVER NICKEL ANTI-TARNISH TREATMENT EVERBRIGHT WS THICKNESS: 1.9 - 3.3 MICROMETERS
 - BLADES MUST CONFORM TO ES-40000-5007, EXCEPT FOR SPECULAR REFLECTIVITY - SECTION 6.0
 - ANY PROCESS LUBRICANT REMAINING ON THE TERMINAL MUST NOT VARNISH OR DEGRADE IT'S ELECTRICAL PERFORMANCE UP TO A MAXIMUM CLASS AMBIENT TEMPERATURE PER SAE USCAR-2 FOR 1008 HOURS, PROCESS LUBRICANTS SHOULD BE APPROVED BY THE RESPONSIBLE ENGINEER.
 - INFORMATION FOR BLADE DESIGN WAS DEVELOPED FROM EWCAP DWG: EWCAP-001
 - GEOMETRY:
 - THIS IS A 100% CAD GENERATED PART. THE CAD MATHEMATICAL DATA IS THE MASTER FOR THIS PART. FOR DIMENSIONAL OR ANY INFORMATION NOT SHOWN ON THIS DRAWING, ANALYZE THE CAD MODEL.
 - GEOMETRIC DIMENSIONS AND TOLERANCES PER ASME Y14.5M - 1994
 - GENERAL TOLERANCES: SEE TITLE BLOCK
 - EDGES AND UNDIMENSIONED DETAILS PER ISO13715
 - MANUFACTURING:
 - DRAFT TO BE WITHIN TOLERANCE. PLUS DRAFT - INDICATES A DIMENSION REPRESENTS THE SMALLEST SIZE OF A FEATURE. DRAFT WILL ADD MATERIAL. MINUS DRAFT - INDICATES A DIMENSION REPRESENTS THE LARGEST SIZE OF A FEATURE. DRAFT WILL REMOVE MATERIAL.
 - ALLOWABLE FLASH MAX 0.20 HIGH BY MAX 0.13 THICK.
 - ALLOWABLE SPLIT/PARTING LINE MISMATCH 0.2 MAX.
 - VISUAL DEFECTS SHALL MEET COSMETIC STANDARD PS-45499-002 (Class B)
 - NO EXTERNAL MOLD RELEASE AGENT ALLOWED DURING MANUFACTURING
 - NO PARTING LINES, NO DRAFT, MISMATCHES OR EJECTOR MARKS PERMISSIBLE WITHIN SEALING SURFACE. SEALING SURFACE TOOLING TO BE PROCESSED TO SURFACE FINISH OF NITRA #700 PAPER MINIMUM.

NOT VALIDATED

SYMBOLS		THIS DRAWING CONTAINS INFORMATION THAT IS PROPRIETARY TO MOLEX ELECTRONIC TECHNOLOGIES, LLC AND SHOULD NOT BE USED WITHOUT WRITTEN PERMISSION		CURRENT REV DESC.	
SYMBOL	DIMENSION UNITS	SCALE	REV	DATE	DESCRIPTION
∇ = 0	mm	1:1			
∇ = 0	GENERAL TOLERANCES (UNLESS SPECIFIED)				
∇ = 0	ANGULAR TOL ± 1.0°				
∇ = 0	4 PLACES	±			
∇ = 0	3 PLACES	±			
∇ = 0	2 PLACES	± 0.1			
∇ = 0	1 PLACE	± 0.2			
∇ = 0	0 PLACES	±			
∇ = 0	DRAFT WHERE APPLICABLE MUST REMAIN WITHIN DIMENSIONS				

EC NO: 171650	DRWN: DDEB	2018/01/19	2018/02/16	2018/02/16
CHK'D: MVANSLAMBROU	APPR: MVANSLAMBROU			
INITIAL REVISION:				
DRWN: APROFFITT	2014/05/14			
APPR: VKOSHY	2014/06/27			

DOCUMENT NUMBER		DOC TYPE		DOC PART		REVISION	
SD-33472-0001		PSD	001	C2			
MATERIAL NUMBER		CUSTOMER		SHEET NUMBER			
		GENERAL MARKET		11 OF 11			

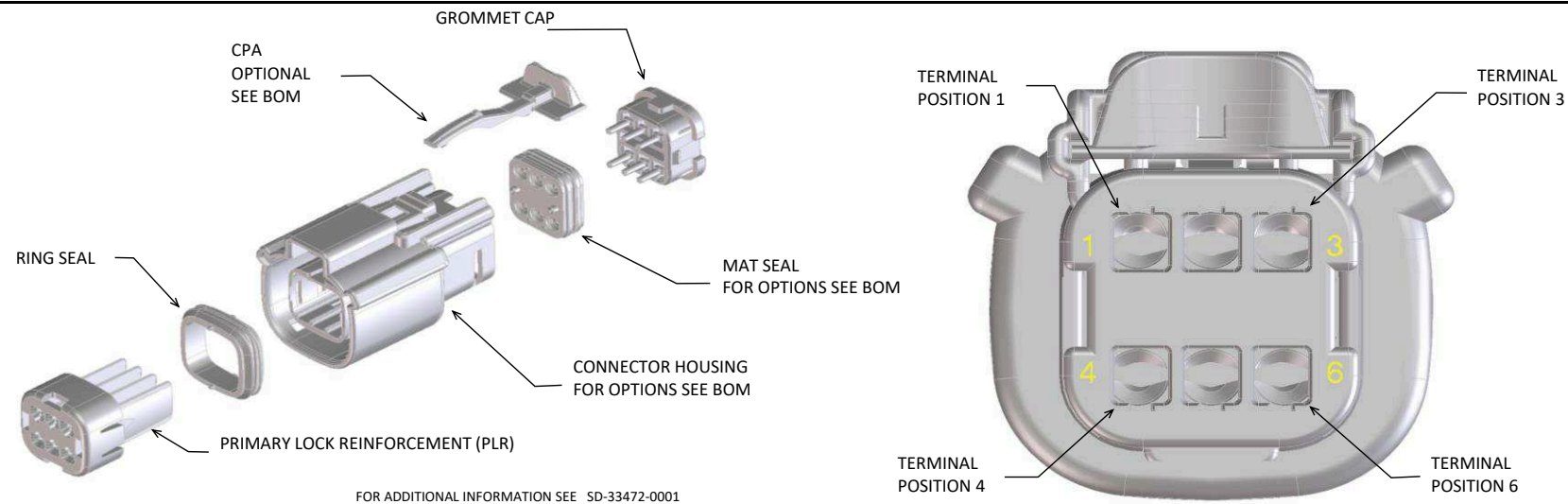
150-S-020-2-D02	D	STONE GRAY
150-S-020-2-C02	C	DK GRAY
150-S-020-2-B02	B	LT GRAY
150-S-020-2-A02	A	BLACK
PIN	OPTION	MATING CONNECTOR COLOR

DOCUMENT STATUS	P1	RELEASE DATE	2018/02/16	22:02:25
-----------------	----	--------------	------------	----------

**MX150 RECEPTACLE 2X2 SEALED ASSEMBLY MAT SEAL
BOM AND PIN OUT SHEET**

ASSEMBLY DESCRIPTION	ASSEMBLY PART NUMBER	COMPONENT						BLOCKED TERMINALS										STATUS	COMMENTS	OPTIONAL ATTACHMENTS SOLD SEPERATELY		
		THE PRESENCE OF AN ABBREVIATION INDICATES THE PRESENCE OF THAT COMPONENT.						CAVITY WITH A NUMBER INDICATES BLOCKED TERMINAL POSITION CAVITY WITHOUT A NUMBER INDICATES OPEN TERMINAL POSITION												BACKSHELL WITH RIBS	BACKSHELL WITHOUT RIBS	
		HOUSING KEY/COLOR	GROMMET CAP	PLR	CPA	MAT SEAL	RING SEAL	1	2	3	4											
KEY A, BLACK, W/O CPA	33472-4040	A-BLK	GCP	PLR		M	R													SALEABLE		
KEY A, BLACK, W/O CPA	33472-4041	A-BLK	GCP	PLR		M	R	1	2											SALEABLE		
KEY C, DARK GRAY, W/O CPA	33472-4042	C-DG	GCO	PLR		M	R													SALEABLE		
KEY D, STONE GRAY, W/O CPA	33472-4043	D-SG	GCO	PLR		M	R													SALEABLE		
KEY C, DARK GRAY, W/CPA	33472-4044	C-DG	GCO	PLR	CPA	M	R													SALEABLE		
KEY D, STONE GRAY, W/CPA	33472-4045	D-SG	GCO	PLR	CPA	M	R													SALEABLE		
KEY C, DARK GRAY, W/O CPA	33472-4046	C-DG	GCP	PLR		M	R	1	2	3	4									SALEABLE		
KEY D, STONE GRAY, W/O CPA	33472-4047	D-SG	GCP	PLR		M	R	1	2	3	4									SALEABLE		
KEY A, BLACK, W/O CPA	33472-4048	A-BLK	GCP	PLR		M	R		2	4										SALEABLE		
KEY A, BLACK, W/CPA	33472-4049	A-BLK	GCP	PLR	CPA	M	R		2											SALEABLE		
KEY A, BLACK, W/CPA	33472-4050	A-BLK	GCP	PLR	CPA	M	R			3										SALEABLE		
KEY A, BLACK, W/CPA	33472-4051	A-BLK	GCP	PLR	CPA	M	R				4									SALEABLE		
KEY A, BLACK, W/O CPA	33472-4052	A-BLK	GCP	PLR		M	R		2		4									SALEABLE		
KEY A, YELLOW, W/CPA	33472-4053	A-YW	GCO	PLR	CPA	M	R													SALEABLE		
KEY A, BLACK, W/O CPA	33472-4054	A-BLK	GCP	PLR		M	R	1		3										SALEABLE		
KEY B, LIGHT GRAY, W/CPA	33472-4055	B-LG	GCP	PLR	CPA	M	R	1												SALEABLE		
KEY A, BLACK, W/O CPA	33472-4056	A-BLK	GCP	PLR		M	R	1												SALEABLE		
KEY A, BLACK, W/CPA	33472-4057	A-BLK	GCP	PLR	CPA	M	R	1	2	3	4									SALEABLE		
KEY A, BLACK, W/CPA	33472-4058	A-BLK	GCP	PLR	CPA	M	R		2	3										SALEABLE		
KEY A, BLACK, W/O CPA	33472-4059	A-BLK	GCP	PLR		M	R	1			4									SALEABLE		
KEY B, LIGHT GRAY, W/O CPA	33472-4060	B-LG	GCP	PLR		M	R		2		4									SALEABLE		
KEY A, BLACK, WITH CLIPSLOT, W/O CPA	33472-0501	A-BLK-CLIP	GCO	PLR		M	R													DESIGN RELEASE		
KEY B, LIGHT GRAY, WITH CLIPSLOT, W/O CPA	33472-0502	B-LG-CLIP	GCO	PLR		M	R													DESIGN RELEASE		
KEY C, DARK GRAY, WITH CLIPSLOT, W/O CPA	33472-0503	C-DG-CLIP	GCO	PLR		M	R													DESIGN RELEASE		
KEY D, STONE GRAY, WITH CLIPSLOT, W/O CPA	33472-0504	D-SG-CLIP	GCO	PLR		M	R													DESIGN RELEASE		
KEY A, YELLOW, WITH CLIPSLOT, W/O CPA	33472-0505	A-YW-CLIP	GCO	PLR		M	R													DESIGN RELEASE		
KEY A, BLACK, WITH CLIPSLOT, W/CPA	33472-0506	A-BLK-CLIP	GCO	PLR	CPA	M	R													DESIGN RELEASE		
KEY B, LIGHT GRAY, WITH CLIPSLOT, W/CPA	33472-0507	B-LG-CLIP	GCO	PLR	CPA	M	R													DESIGN RELEASE		
KEY C, DARK GRAY, WITH CLIPSLOT, W/CPA	33472-0508	C-DG-CLIP	GCO	PLR	CPA	M	R													DESIGN RELEASE		
KEY D, STONE GRAY, WITH CLIPSLOT, W/CPA	33472-0509	D-SG-CLIP	GCO	PLR	CPA	M	R													DESIGN RELEASE		
KEY A, YELLOW, WITH CLIPSLOT, W/CPA	33472-0510	A-YW-CLIP	GCO	PLR	CPA	M	R													DESIGN RELEASE		

MX150 RECEPTACLE 2X3 SEALED ASSEMBLY MAT SEAL
BOM AND PIN OUT SHEET



FOR ADDITIONAL INFORMATION SEE SD-33472-0001

ABBREVIATION	DESCRIPTION	COLOR	MATERIAL
A-BLK	HOUSING, KEYING OPTION A	BLACK	SPS/NYLON GF20
B-LG	HOUSING, KEYING OPTION B	LIGHT GRAY	SPS/NYLON GF20
C-BR	HOUSING, KEYING OPTION C	BROWN	SPS/NYLON GF20
D-GR	HOUSING, KEYING OPTION D	GREEN	SPS/NYLON GF20
C-DG	HOUSING, KEYING OPTION C	DARK GRAY	SPS/NYLON GF20
D-SG	HOUSING, KEYING OPTION D	STONE GRAY	SPS/NYLON GF20
A-YW	HOUSING, KEYING OPTION A	YELLOW	SPS/NYLON GF20
A-BLK-CLIP	HOUSING, KEYING OPTION A WITH CLIPSLOT	BLACK	SPS/NYLON GF20
B-LG-CLIP	HOUSING, KEYING OPTION B WITH CLIPSLOT	LIGHT GRAY	SPS/NYLON GF20
C-BR-CLIP	HOUSING, KEYING OPTION C WITH CLIPSLOT	BROWN	SPS/NYLON GF20
D-GR-CLIP	HOUSING, KEYING OPTION D WITH CLIPSLOT	GREEN	SPS/NYLON GF20
C-DG-CLIP	HOUSING, KEYING OPTION C WITH CLIPSLOT	DARK GRAY	SPS/NYLON GF20
D-SG-CLIP	HOUSING, KEYING OPTION D WITH CLIPSLOT	STONE GRAY	SPS/NYLON GF20
A-SG-CLIP	HOUSING, KEYING OPTION A WITH CLIPSLOT	YELLOW	SPS/NYLON GF20
GC	GROMMET CAP	BLACK	SPS/NYLON GF20
PLR	PLR	NATURAL	SPS/NYLON GF20
CPA	CPA	RED	PBT GF30
M	MAT SEAL	LIGHT BLUE	INHERENTLY LUBRICATED SILICONE
R	RING SEAL	RUST RED	INHERENTLY LUBRICATED SILICONE

ASSEMBLY DESCRIPTION	ASSEMBLY PART NUMBER	COMPONENT						BLOCKED TERMINALS						STATUS	COMMENTS	OPTIONAL ATTACHMENTS SOLD SEPERATELY		
		THE PRESENCE OF AN ABBREVIATION INDICATES THE PRESENCE OF THAT COMPONENT.						CAVITY WITH A NUMBER INDICATES BLOCKED TERMINAL POSITION CAVITY WITHOUT A NUMBER INDICATES OPEN TERMINAL POSITION								BACKSHELL WITH RIBS	BACKSHELL WITHOUT RIBS	
		HOUSING KEY/COLOR	GROMMET CAP	PLR	CPA	MAT SEAL	RING SEAL	1	2	3	4	5	6					
KEY A, BLACK, W/O CPA	33472-0601	A-BLK	GC	PLR		M	R								SALEABLE		34951-0610	34951-0620
KEY B, LIGHT GRAY, W/O CPA	33472-0602	B-LG	GC	PLR		M	R								SALEABLE		34951-0610	34951-0620
KEY C, BROWN, W/O CPA	33472-0603	C-BR	GC	PLR		M	R								NOT RECOMMENDED	SEE P/N 33472-0668	34951-0610	34951-0620
KEY D, GREEN, W/O CPA	33472-0604	D-GR	GC	PLR		M	R								NOT RECOMMENDED	SEE P/N 33472-0669	34951-0610	34951-0620
VOID KEY	33472-0605																	
KEY A, BLACK, W/CPA	33472-0606	A-BLK	GC	PLR	CPA	M	R								SALEABLE		34951-0610	34951-0620
KEY B, LIGHT GRAY, W/CPA	33472-0607	B-LG	GC	PLR	CPA	M	R								SALEABLE		34951-0610	34951-0620
KEY C, BROWN, W/CPA	33472-0608	C-BR	GC	PLR	CPA	M	R								NOT RECOMMENDED	SEE P/N 33472-0670	34951-0610	34951-0620
KEY D, GREEN, W/CPA	33472-0609	D-GR	GC	PLR	CPA	M	R								NOT RECOMMENDED	SEE P/N 33472-0671	34951-0610	34951-0620
VOID KEY	33472-0610																	
KEY A, BLACK, W/O CPA	33472-0611	A-BLK	GC	PLR		M	R			3					SALEABLE	SAME AS P/N 33472-0658	34951-0610	34951-0620
KEY B, LIGHT GRAY, W/O CPA	33472-0612	B-LG	GC	PLR		M	R			3					SALEABLE		34951-0610	34951-0620
KEY C, BROWN, W/O CPA	33472-0613	C-BR	GC	PLR		M	R			3					NOT RECOMMENDED		34951-0610	34951-0620
KEY D, GREEN, W/O CPA	33472-0614	D-GR	GC	PLR		M	R			3					NOT RECOMMENDED		34951-0610	34951-0620
VOID KEY	33472-0615																	
KEY A, BLACK, W/CPA	33472-0616	A-BLK	GC	PLR	CPA	M	R			3					SALEABLE		34951-0610	34951-0620
KEY B, LIGHT GRAY, W/CPA	33472-0617	B-LG	GC	PLR	CPA	M	R			3					SALEABLE		34951-0610	34951-0620
KEY C, BROWN, W/CPA	33472-0618	C-BR	GC	PLR	CPA	M	R			3					NOT RECOMMENDED		34951-0610	34951-0620
KEY D, GREEN, W/CPA	33472-0619	D-GR	GC	PLR	CPA	M	R			3					NOT RECOMMENDED		34951-0610	34951-0620
VOID KEY	33472-0620																	
KEY A, BLACK, W/O CPA	33472-0621	A-BLK	GC	PLR		M	R			3	4				SALEABLE		34951-0610	34951-0620
KEY B, LIGHT GRAY, W/O CPA	33472-0622	B-LG	GC	PLR		M	R			3	4				SALEABLE		34951-0610	34951-0620
KEY C, BROWN, W/O CPA	33472-0623	C-BR	GC	PLR		M	R			3	4				NOT RECOMMENDED		34951-0610	34951-0620
KEY D, GREEN, W/O CPA	33472-0624	D-GR	GC	PLR		M	R			3	4				NOT RECOMMENDED		34951-0610	34951-0620
VOID KEY	33472-0625																	
KEY A, BLACK, W/CPA	33472-0626	A-BLK	GC	PLR	CPA	M	R			3	4				SALEABLE		34951-0610	34951-0620
KEY B, LIGHT GRAY, W/CPA	33472-0627	B-LG	GC	PLR	CPA	M	R			3	4				SALEABLE		34951-0610	34951-0620
KEY C, BROWN, W/CPA	33472-0628	C-BR	GC	PLR	CPA	M	R			3	4				NOT RECOMMENDED		34951-0610	34951-0620
KEY D, GREEN, W/CPA	33472-0629	D-GR	GC	PLR	CPA	M	R			3	4				NOT RECOMMENDED		34951-0610	34951-0620
VOID KEY	33472-0630																	
KEY A, BLACK, W/O CPA, W/O MAT SEAL	33472-0631	A-BLK	GC	PLR			R								PLANNED OBSOLESCENCE	NOT VALIDATED	34951-0610	34951-0620
KEY B, LIGHT GRAY, W/O CPA, W/O MAT SEAL	33472-0632	B-LG	GC	PLR			R								PLANNED OBSOLESCENCE	NOT VALIDATED	34951-0610	34951-0620
KEY C, BROWN, W/O CPA, W/O MAT SEAL	33472-0633	C-BR	GC	PLR			R								PLANNED OBSOLESCENCE	NOT VALIDATED	34951-0610	34951-0620
KEY D, GREEN, W/O CPA, W/O MAT SEAL	33472-0634	D-GR	GC	PLR			R								PLANNED OBSOLESCENCE	NOT VALIDATED	34951-0610	34951-0620
VOID KEY	33472-0635																	
KEY A, BLACK, W/O CPA	33472-0636	A-BLK	GC	PLR		M	R	1	2	3	4	5	6		SALEABLE		34951-0610	34951-0620
KEY B, LIGHT GRAY, W/O CPA	33472-0637	B-LG	GC	PLR		M	R	1	2	3	4	5	6		SALEABLE		34951-0610	34951-0620
KEY C, BROWN, W/O CPA	33472-0638	C-BR	GC	PLR		M	R	1	2	3	4	5	6		NOT RECOMMENDED	SEE P/N 33472-0749	34951-0610	34951-0620
KEY D, GREEN, W/O CPA	33472-0639	D-GR	GC	PLR		M	R	1	2	3	4	5	6		NOT RECOMMENDED	SEE P/N 33472-0750	34951-0610	34951-0620
VOID KEY	33472-0640																	
KEY A, BLACK, W/O CPA	33472-0641	A-BLK	GC	PLR		M	R		2	3	4	5			SALEABLE		34951-0610	34951-0620
KEY A, BLACK, W/O CPA	33472-0642	A-BLK	GC	PLR		M	R			3	4				SALEABLE		34951-0610	34951-0620
KEY A, BLACK, W/CPA	33472-0643	A-BLK	GC	PLR	CPA	M	R	1		3	4				SALEABLE		34951-0610	34951-0620
KEY B, LIGHT GRAY, W/CPA	33472-0644	B-LG	GC	PLR	CPA	M	R	1		3	4				SALEABLE		34951-0610	34951-0620
KEY C, BROWN, W/CPA	33472-0645	C-BR	GC	PLR	CPA	M	R	1		3	4				NOT RECOMMENDED		34951-0610	34951-0620
KEY D, GREEN, W/CPA	33472-0646	D-GR	GC	PLR	CPA	M	R	1		3	4				NOT RECOMMENDED		34951-0610	34951-0620
VOID KEY	33472-0647																	
KEY A, BLACK, W/O CPA	33472-0648	A-BLK	GC	PLR		M	R	1		3	4		6		SALEABLE		34951-0610	34951-0620
KEY B, LIGHT GRAY, W/O CPA	33472-0649	B-LG	GC	PLR		M	R	1		3	4		6		SALEABLE		34951-0610	34951-0620
KEY C, BROWN, W/O CPA	33472-0650	C-BR	GC	PLR		M	R	1		3	4		6		NOT RECOMMENDED		34951-0610	34951-0620
KEY D, GREEN, W/O CPA	33472-0651	D-GR	GC	PLR		M	R	1		3	4		6		NOT RECOMMENDED		34951-0610	34951-0620
VOID KEY	33472-0652																	
KEY A, BLACK, W/CPA	33472-0653	A-BLK	GC	PLR	CPA	M	R	1		3	4		6		SALEABLE		34951-0610	34951-0620
KEY B, LIGHT GRAY, W/CPA	33472-0654	B-LG	GC	PLR	CPA	M	R	1		3	4		6		SALEABLE		34951-0610	34951-0620

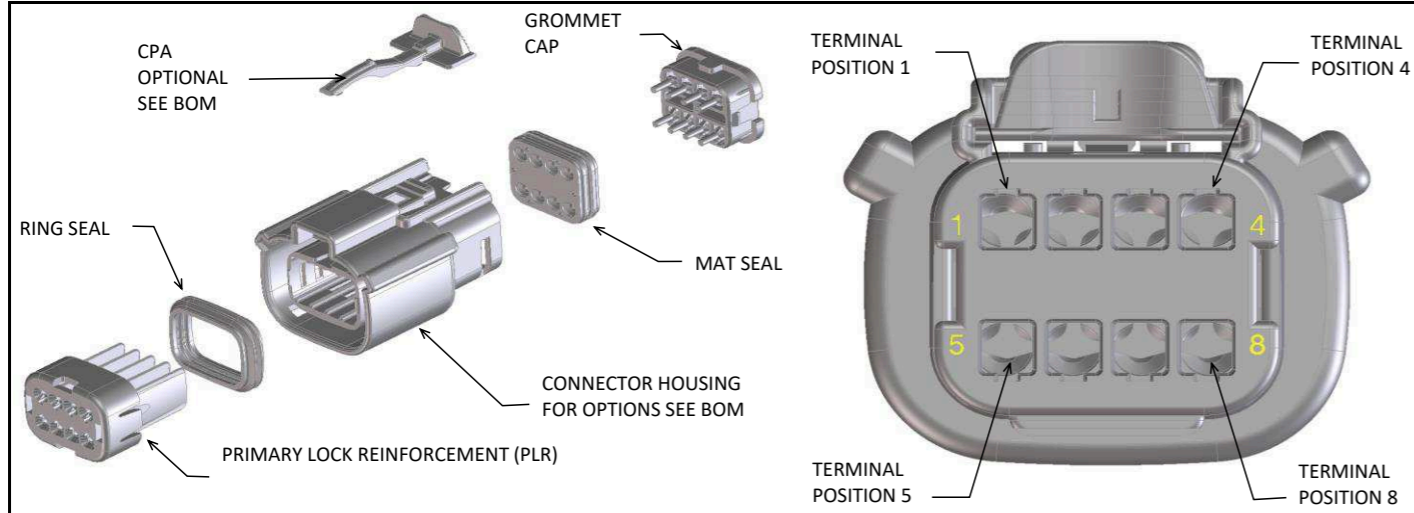
ASSEMBLY DESCRIPTION	ASSEMBLY PART NUMBER	COMPONENT						BLOCKED TERMINALS						STATUS	COMMENTS	OPTIONAL ATTACHMENTS SOLD SEPERATELY			
		THE PRESENCE OF AN ABBREVIATION INDICATES THE PRESENCE OF THAT COMPONENT.						CAVITY WITH A NUMBER INDICATES BLOCKED TERMINAL POSITION CAVITY WITHOUT A NUMBER INDICATES OPEN TERMINAL POSITION								BACKSHELL WITH RIBS	BACKSHELL WITHOUT RIBS		
		HOUSING KEY/COLOR	GROMMET CAP	PLR	CPA	MAT SEAL	RING SEAL	1	2	3	4	5	6						
KEY C, BROWN, W/CPA	33472-0655	C-BR	GC	PLR	CPA	M	R	1							6	NOT RECOMMENDED			
KEY D, GREEN, W/CPA	33472-0656	D-GR	GC	PLR	CPA	M	R	1							6	NOT RECOMMENDED			
VOID KEY	33472-0657																		
KEY A, BLACK, W/O CPA	33472-0658	A-BLK	GC	PLR		M	R				3					SALEABLE	34951-0610	34951-0620	
KEY A, BLACK, W/O CPA	33472-0659	A-BLK	GC	PLR		M	R				3			5	6	SALEABLE	34951-0610	34951-0620	
KEY A, BLACK, W/CPA	33472-0660	A-BLK	GC	PLR	CPA	M	R	1			3			5	6	SALEABLE	34951-0610	34951-0620	
KEY A, BLACK, W/O CPA	33472-0661	A-BLK	GC	PLR		M	R			2						SALEABLE	34951-0610	34951-0620	
KEY A, BLACK, W/O CPA	33472-0662	A-BLK	GC	PLR		M	R			2						SALEABLE	34951-0610	34951-0620	
KEY A, BLACK, W/O CPA	33472-0663	A-BLK	GC	PLR		M	R							5	6	SALEABLE	34951-0610	34951-0620	
KEY A, BLACK, W/O CPA	33472-0664	A-BLK	GC	PLR		M	R					4		5	6	SALEABLE	34951-0610	34951-0620	
KEY A, BLACK, W/O CPA	33472-0665	A-BLK	GC	PLR		M	R	1								SALEABLE	34951-0610	34951-0620	
KEY A, BLACK, W/O CPA	33472-0666	A-BLK	GC	PLR		M	R			2				5	6	SALEABLE	34951-0610	34951-0620	
KEY A, BLACK, W/O CPA	33472-0667	A-BLK	GC	PLR		M	R	1			3			5	6	SALEABLE	34951-0610	34951-0620	
KEY C, DARK GRAY, W/O CPA	33472-0668	C-DG	GC	PLR		M	R									SALEABLE	34951-0610	34951-0620	
KEY D, STONE GRAY, W/O CPA	33472-0669	D-SG	GC	PLR		M	R									SALEABLE	34951-0610	34951-0620	
KEY C, DARK GRAY, W/CPA	33472-0670	C-DG	GC	PLR	CPA	M	R									SALEABLE	34951-0610	34951-0620	
KEY D, STONE GRAY, W/CPA	33472-0671	D-SG	GC	PLR	CPA	M	R									SALEABLE	34951-0610	34951-0620	
KEY B, LIGHT GRAY, W/O CPA	33472-0672	B-LG	GC	PLR		M	R							5		SALEABLE	34951-0610	34951-0620	
KEY A, BLACK, W/O CPA	33472-0673	A-BLK	GC	PLR		M	R								6	SALEABLE	34951-0610	34951-0620	
KEY A, BLACK, W/CPA	33472-0674	A-BLK	GC	PLR	CPA	M	R							5	6	SALEABLE	34951-0610	34951-0620	
KEY A, BLACK, W/CPA	33472-0675	A-BLK	GC	PLR	CPA	M	R								6	SALEABLE	34951-0610	34951-0620	
KEY B, LIGHT GRAY, W/CPA	33472-0676	B-LG	GC	PLR	CPA	M	R	1						5		SALEABLE	34951-0610	34951-0620	
KEY B, LIGHT GRAY, W/O CPA	33472-0677	B-LG	GC	PLR		M	R	1						5		SALEABLE	34951-0610	34951-0620	
KEY B, LIGHT GRAY, W/O CPA	33472-0678	B-LG	GC	PLR		M	R							5	6	SALEABLE	34951-0610	34951-0620	
KEY A, BLACK, W/CPA	33472-0679	A-BLK	GC	PLR	CPA	M	R	1		2	3					SALEABLE	34951-0610	34951-0620	
KEY A, BLACK, W/O CPA	33472-0680	A-BLK	GC	PLR		M	R	1		2	3					SALEABLE	34951-0610	34951-0620	
KEY A, BLACK, W/CPA	33472-0681	A-BLK	GC	PLR	CPA	M	R			2						SALEABLE	34951-0610	34951-0620	
KEY A, YELLOW, W/CPA	33472-0682	A-YW	GC	PLR	CPA	M	R									SALEABLE	34951-0610	34951-0620	
KEY A, BLACK, W/O CPA	33472-0683	A-BLK	GC	PLR		M	R				3			5	6	SALEABLE	34951-0610	34951-0620	
KEY A, BLACK, W/CPA	33472-0684	A-BLK	GC	PLR	CPA	M	R			2	3					SALEABLE	34951-0610	34951-0620	
KEY B, LIGHT GRAY, W/CPA	33472-0685	B-LG	GC	PLR	CPA	M	R	1		2	3			5	6	SALEABLE	34951-0610	34951-0620	
KEY B, LIGHT GRAY, W/CPA	33472-0686	B-LG	GC	PLR	CPA	M	R			2	3					SALEABLE	34951-0610	34951-0620	
KEY A, BLACK, W/O CPA	33472-0687	A-BLK	GC	PLR		M	R	1			3				4	SALEABLE	34951-0610	34951-0620	
KEY A, BLACK, W/CPA	33472-0688	A-BLK	GC	PLR	CPA	M	R							4	5	6	SALEABLE	34951-0610	34951-0620
KEY A, BLACK, W/CPA	33472-0689	A-BLK	GC	PLR	CPA	M	R								4	SALEABLE	34951-0610	34951-0620	
KEY B, LIGHT GRAY, W/CPA	33472-0690	B-LG	GC	PLR	CPA	M	R								4	SALEABLE	34951-0610	34951-0620	
KEY A, BLACK, W/CPA	33472-0691	A-BLK	GC	PLR	CPA	M	R	1			3			5		SALEABLE	34951-0610	34951-0620	
KEY A, BLACK, W/CPA	33472-0692	A-BLK	GC	PLR	CPA	M	R			2					6	SALEABLE	34951-0610	34951-0620	
KEY A, BLACK, WITH CLIPSLOT, W/O CPA	33472-0701	A-BLK-CLIP	GC	PLR		M	R									SALEABLE	N/A	N/A	
KEY B, LIGHT GRAY, WITH CLIPSLOT, W/O CPA	33472-0702	B-LG-CLIP	GC	PLR		M	R									SALEABLE	N/A	N/A	
KEY C, BROWN, WITH CLIPSLOT, W/O CPA	33472-0703	C-BR-CLIP	GC	PLR		M	R									NOT RECOMMENDED--SEE P/N 33472-0714	N/A	N/A	
KEY D, GREEN, WITH CLIPSLOT, W/O CPA	33472-0704	D-GR-CLIP	GC	PLR		M	R									NOT RECOMMENDED--SEE P/N 33472-0715	N/A	N/A	
KEY A, BLACK, WITH CLIPSLOT, W/CPA	33472-0705	A-BLK-CLIP	GC	PLR	CPA	M	R									SALEABLE	N/A	N/A	
KEY B, LIGHT GRAY, WITH CLIPSLOT, W/CPA	33472-0706	B-LG-CLIP	GC	PLR	CPA	M	R									SALEABLE	N/A	N/A	
KEY C, BROWN, WITH CLIPSLOT, W/CPA	33472-0707	C-BR-CLIP	GC	PLR	CPA	M	R									NOT RECOMMENDED--SEE P/N 33472-0716	N/A	N/A	
KEY D, GREEN, WITH CLIPSLOT, W/CPA	33472-0708	D-GR-CLIP	GC	PLR	CPA	M	R									NOT RECOMMENDED--SEE P/N 33472-0717	N/A	N/A	
KEY A, BLACK, WITH CLIPSLOT, W/O CPA	33472-0709	A-BLK-CLIP	GC	PLR		M	R				3					SALEABLE	N/A	N/A	
KEY A, BLACK, WITH CLIPSLOT, W/O CPA	33472-0710	A-BLK-CLIP	GC	PLR		M	R			2	3			4	5	6	SALEABLE	N/A	N/A
KEY A, BLACK, WITH CLIPSLOT, W/O CPA	33472-0711	A-BLK-CLIP	GC	PLR		M	R							5	6	SALEABLE	N/A	N/A	
KEY A, BLACK, WITH CLIPSLOT, W/O CPA	33472-0712	A-BLK-CLIP	GC	PLR		M	R				3					SALEABLE	N/A	N/A	
KEY B, LIGHT GRAY, WITH CLIPSLOT, W/O CPA	33472-0713	B-LG-CLIP	GC	PLR		M	R	1						5		SALEABLE	N/A	N/A	
KEY C, DARK GRAY, WITH CLIPSLOT, W/O CPA	33472-0714	C-DG-CLIP	GC	PLR		M	R									SALEABLE	N/A	N/A	
KEY D, STONE GRAY, WITH CLIPSLOT, W/O CPA	33472-0715	D-SG-CLIP	GC	PLR		M	R									SALEABLE	N/A	N/A	
KEY C, DARK GRAY, WITH CLIPSLOT, W/CPA	33472-0716	C-DG-CLIP	GC	PLR	CPA	M	R									SALEABLE	N/A	N/A	
KEY D, STONE GRAY, WITH CLIPSLOT, W/CPA	33472-0717	D-SG-CLIP	GC	PLR	CPA	M	R									SALEABLE	N/A	N/A	
KEY A, BLACK, WITH CLIPSLOT, W/O CPA	33472-0718	A-BLK-CLIP	GC	PLR		M	R				3				6	SALEABLE	N/A	N/A	
KEY B, LIGHT GRAY, WITH CLIPSLOT, W/CPA	33472-0719	B-LG-CLIP	GC	PLR	CPA	M	R	1						5		SALEABLE	N/A	N/A	
KEY B, LIGHT GRAY, WITH CLIPSLOT, W/O CPA	33472-0720	B-LG-CLIP	GC	PLR		M	R							5		SALEABLE	N/A	N/A	
KEY C, DARK GRAY, WITH CLIPSLOT, W/O CPA	33472-0721	C-DG-CLIP	GC	PLR		M	R				3					SALEABLE	N/A	N/A	
KEY A, BLACK, WITH CLIPSLOT, W/O CPA	33472-0722	A-BLK-CLIP	GC	PLR		M	R							4	5	6	SALEABLE	N/A	N/A
KEY A, BLACK, WITH CLIPSLOT, W/O CPA	33472-0723	A-BLK-CLIP	GC	PLR		M	R			2	3			5	6	SALEABLE	N/A	N/A	
KEY A, BLACK, WITH CLIPSLOT, W/O CPA	33472-0724	A-BLK-CLIP	GC	PLR		M	R			2					6	SALEABLE	N/A	N/A	
KEY A, BLACK, WITH CLIPSLOT, W/O CPA	33472-0725	A-BLK-CLIP	GC	PLR		M	R				3			5	6	SALEABLE	N/A	N/A	
KEY A, BLACK, WITH CLIPSLOT, W/O CPA	33472-0726	A-BLK-CLIP	GC	PLR		M	R								6	SALEABLE	N/A	N/A	
KEY A, BLACK, WITH CLIPSLOT, W/O CPA	33472-0727	A-BLK-CLIP	GC	PLR		M	R								6	SALEABLE	N/A	N/A	
KEY A, BLACK, WITH CLIPSLOT, W/O CPA	33472-0728	A-BLK-CLIP	GC	PLR		M	R	1		2	3			4	5	6	SALEABLE	N/A	N/A
KEY A, BLACK, WITH CLIPSLOT, W/O CPA	33472-0729	A-BLK-CLIP	GC	PLR		M	R	1		2	3			4	5	6	SALEABLE	N/A	N/A
KEY A, BLACK, WITH CLIPSLOT, W/O CPA	33472-0730	A-BLK-CLIP	GC	PLR		M	R							4		SALEABLE	N/A	N/A	
KEY A, BLACK, WITH CLIPSLOT, W/O CPA	33472-0731	A-BLK-CLIP	GC	PLR		M	R							4	6	SALEABLE	N/A	N/A	
KEY B, LIGHT GRAY, WITH CLIPSLOT, W/O CPA	33472-0732	B-LG-CLIP	GC	PLR		M	R							4	5	6	SALEABLE	N/A	N/A
KEY A, BLACK, W/CPA	33472-0733	A-BLK	GC	PLR	CPA	M	R			2				5		SALEABLE	34951-0610	34951-0620	
KEY A, BLACK, WITH CLIPSLOT, W/O CPA	33472-0734	A-BLK-CLIP	GC	PLR		M	R							5		SALEABLE	N/A	N/A	
KEY A, BLACK, W/O CPA	33472-0735	A-BLK	GC	PLR		M	R							5		SALEABLE	34951-0610	34951-0620	
KEY B, LIGHT GRAY, W/O CPA	33472-0736	B-LG	GC	PLR		M	R				4			5	6	SALEABLE	34951-0610	34951-0620	
KEY A, BLACK, W/CPA	33472-0737	A-BLK	GC	PLR	CPA	M	R	1								SALEABLE	34951-0		



**MX150 RECEPTACLE 2X3 SEALED ASSEMBLY MAT SEAL
BOM AND PIN OUT SHEET**

ASSEMBLY DESCRIPTION	ASSEMBLY PART NUMBER	COMPONENT							BLOCKED TERMINALS						STATUS	COMMENTS	OPTIONAL ATTACHMENTS SOLD SEPERATELY	
		THE PRESENCE OF AN ABBREVIATION INDICATES THE PRESENCE OF THAT COMPONENT.							CAVITY WITH A NUMBER INDICATES BLOCKED TERMINAL POSITION CAVITY WITHOUT A NUMBER INDICATES OPEN TERMINAL POSITION								BACKSHELL WITH RIBS	BACKSHELL WITHOUT RIBS
		HOUSING KEY/COLOR	GROMMET CAP	PLR	CPA	MAT SEAL	RING SEAL	1	2	3	4	5	6					
KEY A, BLACK, WITH CLIPSLOT, W/CPA	33472-0744	A-BLK-CLIP	GC	PLR	CPA	M	R			3					SALEABLE		N/A	N/A
KEY A, BLACK, WITH CLIPSLOT, W/O CPA	33472-0745	A-BLK-CLIP	GC	PLR		M	R	1				4			SALEABLE		N/A	N/A
KEY B, LIGHT GRAY, W/CPA	33472-0746	B-LG	GC	PLR	CPA	M	R					4	5	6	SALEABLE		34951-0610	34951-0620
KEY A, BLACK, W/CPA	33472-0747	A-BLK	GC	PLR	CPA	M	R		2	3		4	5		SALEABLE		34951-0610	34951-0620
KEY C, DARK GRAY, W/O CPA	33472-0748	C-DG	GC	PLR		M	R							6	SALEABLE		34951-0610	34951-0620
KEY C, DARK GRAY, W/O CPA	33472-0749	C-DG	GC	PLR		M	R	1	2	3		4	5	6	SALEABLE		34951-0610	34951-0620
KEY D, STONE GRAY, W/O CPA	33472-0750	D-SG	GC	PLR		M	R	1	2	3		4	5	6	SALEABLE		34951-0610	34951-0620
KEY A, BLACK, W/O CPA	33472-0751	A-BLK	GC	PLR		M	R		2	3					SALEABLE		34951-0610	34951-0620
KEY A, BLACK, WITH CLIPSLOT, W/CPA	33472-0752	A-BLK-CLIP	GC	PLR	CPA	M	R	1					5	6	SALEABLE		N/A	N/A
KEY A, BLACK, WITH CLIPSLOT, W/CPA	33472-0753	A-BLK-CLIP	GC	PLR	CPA	M	R							6	SALEABLE		N/A	N/A
KEY A, BLACK, W/CPA	33472-0754	A-BLK	GC	PLR	CPA	M	R						5		SALEABLE		34951-0610	34951-0620
KEY A, BLACK, WITH CLIPSLOT, W/CPA	33472-0755	A-BLK-CLIP	GC	PLR	CPA	M	R						5	6	SALEABLE		N/A	N/A
KEY A, BLACK, W/CPA	33472-0756	A-BLK	GC	PLR	CPA	M	R	1	2	3		4			SALEABLE		34951-0610	34951-0620
KEY B, LIGHT GRAY, W/O CPA	33472-0757	B-LG	GC	PLR		M	R	1							SALEABLE		34951-0610	34951-0620
KEY A, BLACK, WITH CLIPSLOT, W/O CPA	33472-7001	A-BLK-CLIP	GC	PLR		M	R			3		4		6	SALEABLE		N/A	N/A

MX150 RECEPTACLE 2X4 SEALED ASSEMBLY MAT SEAL
BOM AND PIN OUT SHEET



ABBREVIATION	DESCRIPTION	COLOR	MATERIAL
A-BLK	HOUSING, KEYING OPTION A	BLACK	SPS/NYLON GF20
B-LG	HOUSING, KEYING OPTION B	LIGHT GRAY	SPS/NYLON GF20
C-BR	HOUSING, KEYING OPTION C	BROWN	SPS/NYLON GF20
D-GR	HOUSING, KEYING OPTION D	GREEN	SPS/NYLON GF20
C-DG	HOUSING, KEYING OPTION C	DARK GRAY	SPS/NYLON GF20
D-SG	HOUSING, KEYING OPTION D	STONE GRAY	SPS/NYLON GF20
D-BLK	HOUSING, KEYING OPTION D	BLACK	SPS/NYLON GF20
A-YW	HOUSING, KEYING OPTION A	YELLOW	SPS/NYLON GF20
A-BLK-CLIP	HOUSING, KEYING OPTION A WITH CLIPSLOT	BLACK	SPS/NYLON GF20
B-LG-CLIP	HOUSING, KEYING OPTION B WITH CLIPSLOT	LIGHT GRAY	SPS/NYLON GF20
C-BR-CLIP	HOUSING, KEYING OPTION C WITH CLIPSLOT	BROWN	SPS/NYLON GF20
D-GR-CLIP	HOUSING, KEYING OPTION D WITH CLIPSLOT	GREEN	SPS/NYLON GF20
C-DG-CLIP	HOUSING, KEYING OPTION C WITH CLIPSLOT	DARK GRAY	SPS/NYLON GF20
D-SG-CLIP	HOUSING, KEYING OPTION D WITH CLIPSLOT	STONE GRAY	SPS/NYLON GF20
D-BLK-CLIP	HOUSING, KEYING OPTION D WITH CLIPSLOT	BLACK	SPS/NYLON GF20
GCO	GROMMET CAP (OPEN)	BLACK	SPS/NYLON GF20
GCP	GROMMET CAP (PLUGGED)	BLACK	SPS/NYLON GF20
PLR	PLR	NATURAL	SPS/NYLON GF20
CPA	CPA	RED	PBT GF30
M	MAT SEAL	LIGHT BLUE	INHERENTLY LUBRICATED SILICONE
RG	RING SEAL	GREEN	INHERENTLY LUBRICATED SILICONE
RR	RING SEAL	RUST RED	INHERENTLY LUBRICATED SILICONE

FOR ADDITIONAL INFORMATION SEE SD-33472-0001

ASSEMBLY DESCRIPTION	ASSEMBLY PART NUMBER	COMPONENT							BLOCKED TERMINALS								STATUS	COMMENTS	OPTIONAL ATTACHMENTS SOLD SEPERATELY				
		THE PRESENCE OF AN ABBREVIATION INDICATES THE PRESENCE OF THAT COMPONENT.							CAVITY WITH A NUMBER INDICATES BLOCKED TERMINAL POSITION CAVITY WITHOUT A NUMBER INDICATES OPEN TERMINAL POSITION										BACKSHELL WITH RIBS	BACKSHELL WITHOUT RIBS	90° ADAPTOR WITH RIBS	90° ADAPTOR WITHOUT RIBS	
		HOUSING KEY/COLOR	GROMMET CAP	PLR	CPA	MAT SEAL	RING SEAL	1	2	3	4	5	6	7	8								
KEY A, BLACK, W/O CPA	33472-0801	A-BLK	GCO	PLR		M	RG										PLANNED OBSOLESCE		N/A	N/A	N/A	N/A	
KEY B, LIGHT GRAY, W/O CPA	33472-0802	B-LG	GCO	PLR		M	RG										PLANNED OBSOLESCE		N/A	N/A	N/A	N/A	
KEY C, BROWN, W/O CPA	33472-0803	C-BR	GCO	PLR		M	RG										PLANNED OBSOLESCE	SEE P/N 33472-0879	N/A	N/A	N/A	N/A	
KEY D, GREEN, W/O CPA	33472-0804	D-GR	GCO	PLR		M	RG										PLANNED OBSOLESCE	SEE P/N 33472-0880	N/A	N/A	N/A	N/A	
KEY D, BLACK, W/O CPA	33472-0805	D-BLK	GCO	PLR		M	RG										PLANNED OBSOLESCE		N/A	N/A	N/A	N/A	
KEY A, BLACK, W/CPA	33472-0806	A-BLK	GCO	PLR	CPA	M	RG										PLANNED OBSOLESCE		N/A	N/A	N/A	N/A	
KEY B, LIGHT GRAY, W/CPA	33472-0807	B-LG	GCO	PLR	CPA	M	RG										PLANNED OBSOLESCE		N/A	N/A	N/A	N/A	
KEY C, BROWN, W/CPA	33472-0808	C-BR	GCO	PLR	CPA	M	RG										PLANNED OBSOLESCE	SEE P/N 33472-0881	N/A	N/A	N/A	N/A	
KEY D, GREEN, W/CPA	33472-0809	D-GR	GCO	PLR	CPA	M	RG										PLANNED OBSOLESCE	SEE P/N 33472-0882	N/A	N/A	N/A	N/A	
VOID KEY	33472-0810																						
KEY A, BLACK, W/O CPA	33472-0811	A-BLK	GCP	PLR		M	RG								4		PLANNED OBSOLESCE		N/A	N/A	N/A	N/A	
KEY B, LIGHT GRAY, W/O CPA	33472-0812	B-LG	GCP	PLR		M	RG								4		PLANNED OBSOLESCE		N/A	N/A	N/A	N/A	
KEY C, BROWN, W/O CPA	33472-0813	C-BR	GCP	PLR		M	RG								4		PLANNED OBSOLESCE		N/A	N/A	N/A	N/A	
KEY D, GREEN, W/O CPA	33472-0814	D-GR	GCP	PLR		M	RG								4		PLANNED OBSOLESCE		N/A	N/A	N/A	N/A	
VOID KEY	33472-0815																						
KEY A, BLACK, W/CPA	33472-0816	A-BLK	GCP	PLR	CPA	M	RG								4		PLANNED OBSOLESCE		N/A	N/A	N/A	N/A	
KEY B, LIGHT GRAY, W/CPA	33472-0817	B-LG	GCP	PLR	CPA	M	RG								4		PLANNED OBSOLESCE		N/A	N/A	N/A	N/A	
KEY C, BROWN, W/CPA	33472-0818	C-BR	GCP	PLR	CPA	M	RG								4		PLANNED OBSOLESCE		N/A	N/A	N/A	N/A	
KEY D, GREEN, W/CPA	33472-0819	D-GR	GCP	PLR	CPA	M	RG								4		PLANNED OBSOLESCE	SEE P/N 33472-1009	N/A	N/A	N/A	N/A	
VOID KEY	33472-0820																						
KEY A, BLACK, W/O CPA	33472-0821	A-BLK	GCP	PLR		M	RG								4	5	PLANNED OBSOLESCE		N/A	N/A	N/A	N/A	
KEY B, LIGHT GRAY, W/O CPA	33472-0822	B-LG	GCP	PLR		M	RG								4	5	PLANNED OBSOLESCE		N/A	N/A	N/A	N/A	
KEY C, BROWN, W/O CPA	33472-0823	C-BR	GCP	PLR		M	RG								4	5	PLANNED OBSOLESCE		N/A	N/A	N/A	N/A	
KEY D, GREEN, W/O CPA	33472-0824	D-GR	GCP	PLR		M	RG								4	5	PLANNED OBSOLESCE		N/A	N/A	N/A	N/A	
VOID KEY	33472-0825																						
KEY A, BLACK, W/CPA	33472-0826	A-BLK	GCP	PLR	CPA	M	RG								4	5	PLANNED OBSOLESCE		N/A	N/A	N/A	N/A	
KEY B, LIGHT GRAY, W/CPA	33472-0827	B-LG	GCP	PLR	CPA	M	RG								4	5	PLANNED OBSOLESCE		N/A	N/A	N/A	N/A	
KEY C, BROWN, W/CPA	33472-0828	C-BR	GCP	PLR	CPA	M	RG								4	5	PLANNED OBSOLESCE		N/A	N/A	N/A	N/A	
KEY D, GREEN, W/CPA	33472-0829	D-GR	GCP	PLR	CPA	M	RG								4	5	PLANNED OBSOLESCE	SEE P/N 33472-1010	N/A	N/A	N/A	N/A	
VOID KEY	33472-0830																						
KEY A, BLACK, W/O CPA	33472-0831	A-BLK	GCP	PLR		M	RG	1							4	5	PLANNED OBSOLESCE		N/A	N/A	N/A	N/A	
KEY B, LIGHT GRAY, W/O CPA	33472-0832	B-LG	GCP	PLR		M	RG	1							4	5	PLANNED OBSOLESCE		N/A	N/A	N/A	N/A	
KEY C, BROWN, W/O CPA	33472-0833	C-BR	GCP	PLR		M	RG	1							4	5	PLANNED OBSOLESCE		N/A	N/A	N/A	N/A	
KEY D, GREEN, W/O CPA	33472-0834	D-GR	GCP	PLR		M	RG	1							4	5	PLANNED OBSOLESCE		N/A	N/A	N/A	N/A	
VOID KEY	33472-0835																						
KEY A, BLACK, W/CPA	33472-0836	A-BLK	GCP	PLR	CPA	M	RG	1							4	5	PLANNED OBSOLESCE		N/A	N/A	N/A	N/A	
KEY B, LIGHT GRAY, W/CPA	33472-0837	B-LG	GCP	PLR	CPA	M	RG	1							4	5	PLANNED OBSOLESCE		N/A	N/A	N/A	N/A	
KEY C, BROWN, W/CPA	33472-0838	C-BR	GCP	PLR	CPA	M	RG	1							4	5	PLANNED OBSOLESCE		N/A	N/A	N/A	N/A	
KEY D, GREEN, W/CPA	33472-0839	D-GR	GCP	PLR	CPA	M	RG	1							4	5	PLANNED OBSOLESCE		N/A	N/A	N/A	N/A	
VOID KEY	33472-0840																						
KEY A, BLACK, W/O CPA	33472-0841	A-BLK	GCP	PLR		M	RG	1							4	5	8	PLANNED OBSOLESCE		N/A	N/A	N/A	N/A
KEY B, LIGHT GRAY, W/O CPA	33472-0842	B-LG	GCP	PLR		M	RG	1							4	5	8	PLANNED OBSOLESCE		N/A	N/A	N/A	N/A
KEY C, BROWN, W/O CPA	33472-0843	C-BR	GCP	PLR		M	RG	1							4	5	8	PLANNED OBSOLESCE		N/A	N/A	N/A	N/A
KEY D, GREEN, W/O CPA	33472-0844	D-GR	GCP	PLR		M	RG	1							4	5	8	PLANNED OBSOLESCE		N/A	N/A	N/A	N/A
VOID KEY	33472-0845																						
KEY A, BLACK, W/CPA	33472-0846	A-BLK	GCP	PLR	CPA	M	RG	1							4	5	8	PLANNED OBSOLESCE		N/A	N/A	N/A	N/A
KEY B, LIGHT GRAY, W/CPA	33472-0847	B-LG	GCP	PLR	CPA	M	RG	1							4	5	8	PLANNED OBSOLESCE		N/A	N/A	N/A	N/A
KEY C, BROWN, W/CPA	33472-0848	C-BR	GCP	PLR	CPA	M	RG	1							4	5	8	PLANNED OBSOLESCE		N/A	N/A	N/A	N/A
KEY D, GREEN, W/CPA	33472-0849	D-GR	GCP	PLR	CPA	M	RG	1							4	5	8	PLANNED OBSOLESCE		N/A	N/A	N/A	N/A
VOID KEY	33472-0850																						



**MX150 RECEPTACLE 2X4 SEALED ASSEMBLY MAT SEAL
BOM AND PIN OUT SHEET**

ASSEMBLY DESCRIPTION	ASSEMBLY PART NUMBER	COMPONENT						BLOCKED TERMINALS								STATUS	COMMENTS	OPTIONAL ATTACHMENTS SOLD SEPERATELY							
		THE PRESENCE OF AN ABBREVIATION INDICATES THE PRESENCE OF THAT COMPONENT.						CAVITY WITH A NUMBER INDICATES BLOCKED TERMINAL POSITION CAVITY WITHOUT A NUMBER INDICATES OPEN TERMINAL POSITION										BACKSHELL WITH RIBS	BACKSHELL WITHOUT RIBS	90° ADAPTOR WITH RIBS	90° ADAPTOR WITHOUT RIBS				
		HOUSING KEY/COLOR	GROMMET CAP	PLR	CPA	MAT SEAL	RING SEAL	1	2	3	4	5	6	7	8										
KEY A, BLACK, W/O CPA	33472-0851	A-BLK	GCP	PLR		M	RG	1										PLANNED OBSOLESCENCE							
KEY B, LIGHT GRAY, W/O CPA	33472-0852	B-LG	GCP	PLR		M	RG	1	2	3	4	5	6	7	8			PLANNED OBSOLESCENCE							
KEY C, BROWN, W/O CPA	33472-0853	C-BR	GCP	PLR		M	RG	1										PLANNED OBSOLESCENCE							
KEY D, GREEN, W/O CPA	33472-0854	D-GR	GCP	PLR		M	RG	1	2	3	4	5	6	7	8			PLANNED OBSOLESCENCE							
KEY D, BLACK, W/O CPA	33472-0855	D-BLK	GCP	PLR		M	RG	1	2	3	4	5	6	7	8			PLANNED OBSOLESCENCE							
KEY A, BLACK, W/CPA	33472-0856	A-BLK	GCP	PLR	CPA	M	RG		2						6	7		PLANNED OBSOLESCENCE							
KEY A, BLACK, W/CPA	33472-0857	A-BLK	GCP	PLR	CPA	M	RG	1	2					5	6	7		PLANNED OBSOLESCENCE							
KEY A, BLACK, W/CPA	33472-0858	A-BLK	GCP	PLR	CPA	M	RG	1	2	3				5	6	7		PLANNED OBSOLESCENCE							
KEY A, BLACK, W/O CPA	33472-0859	A-BLK	GCP	PLR		M	RG	1	2	3					6	7	8	PLANNED OBSOLESCENCE							
KEY D, BLACK, W/O CPA	33472-0860	D-BLK	GCP	PLR		M	RG				4							PLANNED OBSOLESCENCE							
KEY A, BLACK, W/O CPA	33472-0861	A-BLK	GCP	PLR		M	RG										8	PLANNED OBSOLESCENCE							
KEY A, BLACK, W/O CPA	33472-0862	A-BLK	GCP	PLR		M	RG	1										PLANNED OBSOLESCENCE							
KEY A, BLACK, W/O CPA	33472-0863	A-BLK	GCP	PLR		M	RG		2								8	PLANNED OBSOLESCENCE							
KEY A, BLACK, W/O CPA	33472-0864	A-BLK	GCP	PLR		M	RG	1		3					5			PLANNED OBSOLESCENCE							
KEY A, BLACK, W/O CPA	33472-0865	A-BLK	GCP	PLR		M	RG	1							6			PLANNED OBSOLESCENCE							
KEY A, BLACK, W/O CPA	33472-0866	A-BLK	GCP	PLR		M	RG		2	3					5	6		PLANNED OBSOLESCENCE							
KEY A, BLACK, W/O CPA	33472-0867	A-BLK	GCP	PLR		M	RG	1		3					5	6		PLANNED OBSOLESCENCE							
KEY A, BLACK, W/O CPA	33472-0868	A-BLK	GCP	PLR		M	RG							5	6		8	PLANNED OBSOLESCENCE							
KEY A, BLACK, W/O CPA	33472-0869	A-BLK	GCP	PLR		M	RG								6			PLANNED OBSOLESCENCE							
KEY A, BLACK, W/O CPA	33472-0870	A-BLK	GCP	PLR		M	RG	1		3					5	6	7	8	PLANNED OBSOLESCENCE						
KEY A, BLACK, W/O CPA	33472-0871	A-BLK	GCP	PLR		M	RG		2	3	4				5	6	7	8	PLANNED OBSOLESCENCE						
KEY A, BLACK, W/O CPA	33472-0872	A-BLK	GCP	PLR		M	RG											8	PLANNED OBSOLESCENCE						
KEY A, BLACK, W/O CPA	33472-0873	A-BLK	GCP	PLR		M	RG		2	3							6	7	8	PLANNED OBSOLESCENCE					
KEY A, BLACK, W/O CPA	33472-0874	A-BLK	GCP	PLR		M	RG		2	3								8	PLANNED OBSOLESCENCE						
KEY A, BLACK, W/O CPA	33472-0875	A-BLK	GCP	PLR		M	RG	1			4							8	PLANNED OBSOLESCENCE						
KEY A, BLACK, W/O CPA	33472-0876	A-BLK	GCP	PLR		M	RG		2	3					5	6	7	8	PLANNED OBSOLESCENCE						
KEY A, BLACK, W/CPA	33472-0877	A-BLK	GCP	PLR	CPA	M	RG											8	PLANNED OBSOLESCENCE						
KEY A, BLACK, W/O CPA	33472-0878	A-BLK	GCP	PLR		M	RG			3						5	6		PLANNED OBSOLESCENCE						
KEY C, DARK GRAY, W/O CPA	33472-0879	C-DG	GCO	PLR		M	RG												PLANNED OBSOLESCENCE						
KEY D, STONE GRAY, W/O CPA	33472-0880	D-SG	GCO	PLR		M	RG												PLANNED OBSOLESCENCE						
KEY C, DARK GRAY, W/CPA	33472-0881	C-DG	GCO	PLR	CPA	M	RG												PLANNED OBSOLESCENCE						
KEY D, STONE GRAY, W/CPA	33472-0882	D-SG	GCO	PLR	CPA	M	RG												PLANNED OBSOLESCENCE						
KEY A, BLACK, W/O CPA	33472-0883	A-BLK	GCP	PLR		M	RG		2	3	4						5	6	7	8	PLANNED OBSOLESCENCE				
KEY A, BLACK, W/O CPA	33472-0884	A-BLK	GCP	PLR		M	RG			3								6	7		8	PLANNED OBSOLESCENCE			
KEY A, BLACK, W/O CPA	33472-0885	A-BLK	GCP	PLR		M	RG		2	3	4														
KEY A, BLACK, W/O CPA	33472-0886	A-BLK	GCP	PLR		M	RG			3															
KEY B, LIGHT GRAY, W/CPA	33472-0887	B-LG	GCP	PLR	CPA	M	RG																		
KEY B, LIGHT GRAY, W/O CPA	33472-0888	B-LG	GCP	PLR		M	RG	1									6								
KEY A, BLACK, W/O CPA	33472-0889	A-BLK	GCP	PLR		M	RG	1																	
KEY A, YELLOW, W/CPA	33472-0890	A-YW	GCP	PLR	CPA	M	RG		2	3															
KEY A, YELLOW, W/CPA	33472-0891	A-YW	GCO	PLR	CPA	M	RG																		
KEY A, YELLOW, W/O CPA	33472-0892	A-YW	GCO	PLR		M	RG																		
KEY A, BLACK, W/CPA	33472-0893	A-BLK	GCP	PLR	CPA	M	RG										6								
KEY A, BLACK, W/CPA	33472-0894	A-BLK	GCP	PLR	CPA	M	RG	1	2	3															
KEY A, BLACK, W/O CPA	33472-0895	A-BLK	GCP	PLR		M	RG	1	2																
KEY A, BLACK, W/O CPA	33472-1001	A-BLK	GCP	PLR		M	RG	1	2	3	4														
KEY B, LIGHT GRAY, W/O CPA	33472-1002	B-LG	GCP	PLR		M	RG																		
KEY A, BLACK, W/O CPA	33472-1003	A-BLK	GCP	PLR		M	RG	1			4														
KEY A, BLACK, W/O CPA	33472-1004	A-BLK	GCP	PLR		M	RG		2	3							5	6	7	8	PLANNED OBSOLESCENCE				
KEY A, BLACK, W/CPA	33472-1005	A-BLK	GCP	PLR	CPA	M	RG																		
KEY A, BLACK, W/O CPA	33472-1006	A-BLK	GCP	PLR		M	RG	1	2	3	4														
KEY A, BLACK, W/CPA	33472-1007	A-BLK	GCP	PLR	CPA	M	RG												6	7					
KEY A, BLACK, W/CPA	33472-1008	A-BLK	GCP	PLR	CPA	M	RG																		
KEY D, STONE GRAY, W/CPA	33472-1009	D-SG	GCP	PLR	CPA	M	RG						4												
KEY D, STONE GRAY, W/CPA	33472-1010	D-SG	GCP	PLR	CPA	M	RG							4	5										
KEY D, STONE GRAY, W/CPA	33472-1011	D-SG	GCP	PLR	CPA	M	RG						4	5	6										
KEY A, BLACK, W/O CPA	33472-1012	A-BLK	GCP	PLR		M	RG														7	8			
KEY A, BLACK, W/CPA	33472-1013	A-BLK	GCP	PLR	CPA	M	RG				3	4	5	6	7	8									
KEY A, BLACK, W/O CPA	33472-1014	A-BLK	GCP	PLR		M	RG					3	4	5	6	7	8								
KEY A, BLACK, W/CPA	33472-1015	A-BLK	GCP	PLR	CPA	M	RG																		
KEY A, BLACK, W/O CPA	33472-1016	A-BLK	GCP	PLR		M	RG																		
KEY A, BLACK, W/O CPA	33472-1017	A-BLK	GCP	PLR		M	RG	1			3	4													
KEY A, BLACK, W/CPA	33472-1018	A-BLK	GCP	PLR	CPA	M	RG																		
KEY A, BLACK, W/CPA	33472-1019	A-BLK	GCP	PLR	CPA	M	RG																		
KEY A, BLACK, W/CPA	33472-1020	A-BLK	GCP	PLR	CPA	M	RG			2	3	4													
KEY A, BLACK, W/CPA	33472-1021	A-BLK	GCP	PLR	CPA	M	RG	1	2	3	4														
KEY A, BLACK, W/CPA	33472-1022	A-BLK	GCP	PLR	CPA	M	RG	1																	
KEY A, BLACK, W/O CPA	33472-1023	A-BLK	GCP	PLR		M	RG									5	6	7	8						
KEY A, BLACK, W/O CPA	33472-1024	A-BLK	GCP	PLR		M	RG					3	4												
KEY D, STONE GRAY, W/O CPA	33472-1025	D-SG	GCP	PLR		M	RG						4			5	6								
KEY D, STONE GRAY, W/O CPA	33472-1026	D-SG	GCP	PLR		M	RG						4												
KEY B, LIGHT GRAY, W/O CPA	33472-1027	B-LG	GCP	PLR		M	RG																		
KEY A, BLACK, W/O CPA	33472-1028	A-BLK	GCP	PLR		M	RG	1	2	3	4														
KEY A, BLACK, W/O CPA	33472-1029	A-BLK	GCP	PLR		M	RG																		
KEY A, BLACK, W/O CPA	33472-1030	A-BLK	GCP	PLR		M	RG	1	2	3	4														
KEY A, BLACK, W/O CPA	33472-1031	A-BLK	GCP	PLR		M	RG																		
KEY A, BLACK, W/O CPA	33472-1032	A-BLK	GCP	PLR		M	RG			2															
KEY B, LIGHT GRAY, W/O CPA	33472-1033	B-LG	GCP	PLR		M	RG	1			3														
KEY B, LIGHT GRAY, W/O CPA	33472-1034	B-LG	GCP	PLR		M	RG																		
KEY B, LIGHT GRAY, W/O CPA	33472-1035	B-LG	GCP	PLR		M	RG	1																	
KEY A, BLACK, W/O CPA	33472-1036	A-BLK	GCP	PLR		M	RG	1																	



MX150 RECEPTACLE 2X4 SEALED ASSEMBLY MAT SEAL BOM AND PIN OUT SHEET

ASSEMBLY DESCRIPTION	ASSEMBLY PART NUMBER	COMPONENT							BLOCKED TERMINALS								STATUS	COMMENTS	OPTIONAL ATTACHMENTS SOLD SEPERATELY			
		THE PRESENCE OF AN ABBREVIATION INDICATES THE PRESENCE OF THAT COMPONENT.							CAVITY WITH A NUMBER INDICATES BLOCKED TERMINAL POSITION CAVITY WITHOUT A NUMBER INDICATES OPEN TERMINAL POSITION										BACKSHELL WITH RIBS	BACKSHELL WITHOUT RIBS	90° ADAPTOR WITH RIBS	90° ADAPTOR WITHOUT RIBS
		HOUSING KEY/COLOR	GROMMET CAP	PLR	CPA	MAT SEAL	RING SEAL	1	2	3	4	5	6	7	8							
KEY A, BLACK, W/O CPA	33472-1037	A-BLK	GCP	PLR		M	RG				6			8	PLANNED OBSOLESCENCE		N/A	N/A	N/A	N/A		
KEY A, BLACK, W/O CPA	33472-1038	A-BLK	GCP	PLR		M	RG	1		4	5	6	7	8	PLANNED OBSOLESCENCE		N/A	N/A	N/A	N/A		
KEY A, BLACK, W/O CPA	33472-1039	A-BLK	GCP	PLR		M	RG		2				7		PLANNED OBSOLESCENCE		N/A	N/A	N/A	N/A		
KEY B, LIGHT GRAY, W/O CPA	33472-1040	B-LG	GCP	PLR		M	RG				5		7		PLANNED OBSOLESCENCE		N/A	N/A	N/A	N/A		
KEY A, BLACK, W/O CPA	33472-1041	A-BLK	GCP	PLR		M	RG			4	5	6	7	8	PLANNED OBSOLESCENCE		N/A	N/A	N/A	N/A		
KEY A, BLACK, W/O CPA	33472-1042	A-BLK	GCP	PLR		M	RG				5			8	PLANNED OBSOLESCENCE		N/A	N/A	N/A	N/A		
KEY A, BLACK, W/O CPA	33472-1043	A-BLK	GCP	PLR		M	RG		2			4	5	6	PLANNED OBSOLESCENCE		N/A	N/A	N/A	N/A		
KEY A, BLACK, W/O CPA	33472-1044	A-BLK	GCP	PLR		M	RG	1	2	3	4	5	6	7	PLANNED OBSOLESCENCE		N/A	N/A	N/A	N/A		
KEY A, BLACK, W/O CPA	33472-1045	A-BLK	GCP	PLR		M	RG			4			6		PLANNED OBSOLESCENCE		N/A	N/A	N/A	N/A		
KEY A, BLACK, W/CPA	33472-1046	A-BLK	GCP	PLR	CPA	M	RG	1					7		PLANNED OBSOLESCENCE		N/A	N/A	N/A	N/A		
KEY B, LIGHT GRAY, W/O CPA	33472-1047	B-LG	GCP	PLR		M	RG					5			PLANNED OBSOLESCENCE		N/A	N/A	N/A	N/A		
KEY A, BLACK, W/O CPA	33472-1048	A-BLK	GCP	PLR		M	RG	1	2			5	6		8	PLANNED OBSOLESCENCE		N/A	N/A	N/A	N/A	
KEY A, BLACK, W/O CPA	33472-1049	A-BLK	GCP	PLR		M	RG	1	2					8	PLANNED OBSOLESCENCE		N/A	N/A	N/A	N/A		
KEY A, BLACK, W/O CPA	33472-1050	A-BLK	GCP	PLR		M	RG			4	5	6			PLANNED OBSOLESCENCE		N/A	N/A	N/A	N/A		
KEY A, BLACK, W/O CPA	33472-1051	A-BLK	GCP	PLR		M	RG	1	2	3			6		PLANNED OBSOLESCENCE		N/A	N/A	N/A	N/A		
KEY A, BLACK, W/O CPA	33472-1052	A-BLK	GCP	PLR		M	RG			4	5		7	8	PLANNED OBSOLESCENCE		N/A	N/A	N/A	N/A		
KEY A, BLACK, W/O CPA	33472-1053	A-BLK	GCP	PLR		M	RG			3	4		7	8	PLANNED OBSOLESCENCE		N/A	N/A	N/A	N/A		
KEY A, BLACK, W/O CPA	33472-1054	A-BLK	GCP	PLR		M	RG	1		3	4		7	8	PLANNED OBSOLESCENCE		N/A	N/A	N/A	N/A		
KEY A, BLACK, W/O CPA	33472-1055	A-BLK	GCP	PLR		M	RG			4				8	PLANNED OBSOLESCENCE		N/A	N/A	N/A	N/A		
KEY A, BLACK, W/O CPA	33472-1056	A-BLK	GCP	PLR		M	RG			4	5			8	PLANNED OBSOLESCENCE		N/A	N/A	N/A	N/A		
KEY D, STONE GRAY, W/O CPA	33472-1057	D-SG	GCP	PLR		M	RG	1	2	3	4	5	6	7	8	PLANNED OBSOLESCENCE		N/A	N/A	N/A	N/A	
KEY A, BLACK, W/CPA	33472-1058	A-BLK	GCP	PLR	CPA	M	RG		2			5		8	PLANNED OBSOLESCENCE		N/A	N/A	N/A	N/A		
KEY B, LIGHT GRAY, W/O CPA	33472-1059	B-LG	GCP	PLR		M	RG		2					7	PLANNED OBSOLESCENCE		N/A	N/A	N/A	N/A		
KEY B, LIGHT GRAY, W/O CPA	33472-1060	B-LG	GCP	PLR		M	RG		2						PLANNED OBSOLESCENCE		N/A	N/A	N/A	N/A		
KEY A, BLACK, W/O CPA	33472-1061	A-BLK	GCP	PLR		M	RG		2	3	4		6	7	8	PLANNED OBSOLESCENCE		N/A	N/A	N/A	N/A	
KEY A, BLACK, W/O CPA	33472-1062	A-BLK	GCP	PLR		M	RG		2	3			6	7	PLANNED OBSOLESCENCE		N/A	N/A	N/A	N/A		
KEY A, BLACK, WITH CLIPSLOT, W/O CPA	33472-0901	A-BLK-CLIP	GCO	PLR		M	RG								PLANNED OBSOLESCENCE		34951-0811	34951-0821	34951-0831	34951-0841		
KEY B, LIGHT GRAY, WITH CLIPSLOT, W/O CPA	33472-0902	B-LG-CLIP	GCO	PLR		M	RG								PLANNED OBSOLESCENCE		34951-0811	34951-0821	34951-0831	34951-0841		
KEY C, BROWN, WITH CLIPSLOT, W/O CPA	33472-0903	C-BR-CLIP	GCO	PLR		M	RG								PLANNED OBSOLESCENCE	SEE P/N 33472-0922	34951-0811	34951-0821	34951-0831	34951-0841		
KEY D, GREEN, WITH CLIPSLOT, W/O CPA	33472-0904	D-GR-CLIP	GCO	PLR		M	RG								PLANNED OBSOLESCENCE	SEE P/N 33472-0923	34951-0811	34951-0821	34951-0831	34951-0841		
KEY D, BLACK, WITH CLIPSLOT, W/O CPA	33472-0905	D-BLK-CLIP	GCO	PLR		M	RG								PLANNED OBSOLESCENCE		34951-0811	34951-0821	34951-0831	34951-0841		
KEY A, BLACK, WITH CLIPSLOT, W/CPA	33472-0906	A-BLK-CLIP	GCO	PLR	CPA	M	RG								PLANNED OBSOLESCENCE		34951-0811	34951-0821	34951-0831	34951-0841		
KEY B, LIGHT GRAY, WITH CLIPSLOT, W/CPA	33472-0907	B-LG-CLIP	GCO	PLR	CPA	M	RG								PLANNED OBSOLESCENCE		34951-0811	34951-0821	34951-0831	34951-0841		
KEY C, BROWN, WITH CLIPSLOT, W/CPA	33472-0908	C-BR-CLIP	GCO	PLR	CPA	M	RG								PLANNED OBSOLESCENCE	SEE P/N 33472-0924	34951-0811	34951-0821	34951-0831	34951-0841		
KEY D, GREEN, WITH CLIPSLOT, W/CPA	33472-0909	D-GR-CLIP	GCO	PLR	CPA	M	RG								PLANNED OBSOLESCENCE	SEE P/N 33472-0925	34951-0811	34951-0821	34951-0831	34951-0841		
KEY A, BLACK, WITH CLIPSLOT, W/O CPA	33472-0910	A-BLK-CLIP	GCP	PLR		M	RG			4					PLANNED OBSOLESCENCE		34951-0811	34951-0821	34951-0831	34951-0841		
KEY A, BLACK, WITH CLIPSLOT, W/O CPA	33472-0920	A-BLK-CLIP	GCP	PLR		M	RG			4				8	PLANNED OBSOLESCENCE		34951-0811	34951-0821	34951-0831	34951-0841		
KEY A, BLACK, WITH CLIPSLOT, W/O CPA	33472-0921	A-BLK-CLIP	GCP	PLR		M	RG							8	PLANNED OBSOLESCENCE		34951-0811	34951-0821	34951-0831	34951-0841		
KEY C, DARK GRAY, WITH CLIPSLOT, W/O CPA	33472-0922	C-DG-CLIP	GCO	PLR		M	RG								PLANNED OBSOLESCENCE		34951-0811	34951-0821	34951-0831	34951-0841		
KEY D, STONE GRAY, WITH CLIPSLOT, W/O CPA	33472-0923	D-SG-CLIP	GCO	PLR		M	RG								PLANNED OBSOLESCENCE		34951-0811	34951-0821	34951-0831	34951-0841		
KEY C, DARK GRAY, WITH CLIPSLOT, W/CPA	33472-0924	C-DG-CLIP	GCO	PLR	CPA	M	RG								PLANNED OBSOLESCENCE		34951-0811	34951-0821	34951-0831	34951-0841		
KEY D, STONE GRAY, WITH CLIPSLOT, W/CPA	33472-0925	D-SG-CLIP	GCO	PLR	CPA	M	RG								PLANNED OBSOLESCENCE		34951-0811	34951-0821	34951-0831	34951-0841		
KEY B, LIGHT GRAY, WITH CLIPSLOT, W/O CPA	33472-0926	B-LG-CLIP	GCP	PLR		M	RG			4				8	PLANNED OBSOLESCENCE		34951-0811	34951-0821	34951-0831	34951-0841		
KEY A, BLACK, WITH CLIPSLOT, W/CPA	33472-0927	A-BLK-CLIP	GCP	PLR	CPA	M	RG			4				8	PLANNED OBSOLESCENCE		34951-0811	34951-0821	34951-0831	34951-0841		
KEY B, LIGHT GRAY, WITH CLIPSLOT, W/CPA	33472-0928	B-LG-CLIP	GCP	PLR	CPA	M	RG			4				8	PLANNED OBSOLESCENCE		34951-0811	34951-0821	34951-0831	34951-0841		
KEY A, BLACK, WITH CLIPSLOT, W/O CPA	33472-0929	A-BLK-CLIP	GCP	PLR		M	RG			4	5		7	8	PLANNED OBSOLESCENCE		34951-0811	34951-0821	34951-0831	34951-0841		
KEY A, BLACK, WITH CLIPSLOT, W/O CPA	33472-0930	A-BLK-CLIP	GCP	PLR		M	RG		2	3	4	5	7	8	PLANNED OBSOLESCENCE		34951-0811	34951-0821	34951-0831	34951-0841		
KEY A, BLACK, WITH CLIPSLOT, W/O CPA	33472-0931	A-BLK-CLIP	GCP	PLR		M	RG	1	2	3			6		PLANNED OBSOLESCENCE		34951-0811	34951-0821	34951-0831	34951-0841		
KEY A, BLACK, WITH CLIPSLOT, W/O CPA	33472-0932	A-BLK-CLIP	GCP	PLR		M	RG	1					6		PLANNED OBSOLESCENCE		34951-0811	34951-0821	34951-0831	34951-0841		
KEY A, BLACK, WITH CLIPSLOT, W/CPA	33472-0933	A-BLK-CLIP	GCP	PLR	CPA	M	RG							8	PLANNED OBSOLESCENCE		34951-0811	34951-0821	34951-0831	34951-0841		
KEY B, LIGHT GRAY, WITH CLIPSLOT, W/CPA	33472-0934	B-LG-CLIP	GCP	PLR	CPA	M	RG							8	PLANNED OBSOLESCENCE		34951-0811	34951-0821	34951-0831	34951-0841		
KEY A, BLACK, WITH CLIPSLOT, W/CPA	33472-0935	A-BLK-CLIP	GCP	PLR	CPA	M	RG		2	3	4		6	7	8	PLANNED OBSOLESCENCE		34951-0811	34951-0821	34951-0831	34951-0841	
KEY A, BLACK, WITH CLIPSLOT, W/O CPA	33472-0936	A-BLK-CLIP	GCP	PLR		M	RG						6	7	8	PLANNED OBSOLESCENCE		34951-0811	34951-0821	34951-0831	34951-0841	
KEY A, BLACK, WITH CLIPSLOT, W/O CPA	33472-0937	A-BLK-CLIP	GCP	PLR		M	RG					5		8	PLANNED OBSOLESCENCE		34951-0811	34951-0821	34951-0831	34951-0841		
KEY A, BLACK, WITH CLIPSLOT, W/O CPA	33472-0938	A-BLK-CLIP	GCP	PLR		M	RG				5				PLANNED OBSOLESCENCE		34951-0811	34951-0821	34951-0831	34951-0841		
KEY A, BLACK, WITH CLIPSLOT, W/O CPA	33472-0939	A-BLK-CLIP	GCP	PLR		M	RG			4	5	6	7	8	PLANNED OBSOLESCENCE		34951-0811	34951-0821	34951-0831	34951-0841		
KEY A, BLACK, WITH CLIPSLOT, W/O CPA	33472-0940	A-BLK-CLIP	GCP	PLR		M	RG	1	2				5	6	PLANNED OBSOLESCENCE		34951-0811	34951-0821	34951-0831	34951-0841		
KEY A, BLACK, WITH CLIPSLOT, W/O CPA	33472-0941	A-BLK-CLIP	GCP	PLR		M	RG	1	2	3	4	5	6		PLANNED OBSOLESCENCE		34951-0811	34951-0821	34951-0831	34951-0841		
KEY A, BLACK, WITH CLIPSLOT, W/O CPA	33472-0944	A-BLK-CLIP	GCP	PLR		M	RG			4	5		7		PLANNED OBSOLESCENCE		34951-0811	34951-0821	34951-0831	34951-0841		
KEY A, BLACK, WITH CLIPSLOT, W/O CPA	33472-0945	A-BLK-CLIP	GCP	PLR		M	RG						7		PLANNED OBSOLESCENCE		34951-0811	34951-0821	34951-0831	34951-0841		
KEY A, BLACK, WITH CLIPSLOT, W/O CPA	33472-0946	A-BLK-CLIP	GCP	PLR		M	RG			3			7		PLANNED OBSOLESCENCE		34951-0811	34951-0821	34951-0831	34951-0841		
KEY A, BLACK, WITH CLIPSLOT, W/O CPA	33472-0947	A-BLK-CLIP	GCP	PLR		M	RG	1		3	4	5	6	7	8	PLANNED OBSOLESCENCE		34951-0811	34951-0821	34951-0831	34951-0841	
KEY A, BLACK, W/O CPA	33472-4801	A-BLK	GCO	PLR		M	RR								SALEABLE		N/A	N/A	N/A	N/A		
KEY B, LIGHT GRAY, W/O CPA	33472-4802	B-LG	GCO	PLR		M	RR								SALEABLE		N/A	N/A	N/A	N/A		
KEY C, BROWN, W/O CPA	33472-4803	C-BR	GCO	PLR		M	RR								NOT RECOMMENDED	SEE P/N 33472-4879	N/A	N/A	N/A	N/A		
KEY D, GREEN, W/O CPA	33472-4804	D-GR	GCO	PLR		M	RR								NOT RECOMMENDED	SEE P/N 33472-4880	N/A	N/A	N/A	N/A		
KEY D, BLACK, W/O CPA	33472-4805	D-BLK	GCO	PLR		M	RR								SALEABLE		N/A	N/A	N/A	N/A		
KEY A, BLACK, W/CPA	33472-4806	A-BLK	GCO	PLR	CPA	M	RR								SALEABLE		N/A	N/A	N/A	N/A		
KEY B, LIGHT GRAY, W/CPA	33472-4807	B-LG	GCO	PLR	CPA	M	RR								SALEABLE		N/A	N/A	N/A	N/A		
KEY C, BROWN, W/CPA	33472-4808	C-BR	GCO	PLR	CPA	M	RR								NOT RECOMMENDED	SEE P/N 33472-4881	N/A	N/A	N/A	N/A		
KEY D, GREEN, W/CPA	33472-4809	D-GR	GCO																			

MX150 RECEPACLE 2X4 SEALED ASSEMBLY MAT SEAL
BOM AND PIN OUT SHEET

ASSEMBLY DESCRIPTION	ASSEMBLY PART NUMBER	COMPONENT						BLOCKED TERMINALS								STATUS	COMMENTS	OPTIONAL ATTACHMENTS SOLD SEPERATELY				
		THE PRESENCE OF AN ABBREVIATION INDICATES THE PRESENCE OF THAT COMPONENT.						CAVITY WITH A NUMBER INDICATES BLOCKED TERMINAL POSITION CAVITY WITHOUT A NUMBER INDICATES OPEN TERMINAL POSITION										BACKSHELL WITH RIBS	BACKSHELL WITHOUT RIBS	90° ADAPTOR WITH RIBS	90° ADAPTOR WITHOUT RIBS	
		HOUSING KEY/COLOR	GROMMET CAP	PLR	CPA	MAT SEAL	RING SEAL	1	2	3	4	5	6	7	8							
KEY D, GREEN, W/CPA	33472-4819	D-GR	GCP	PLR	CPA	M	RR				4						NOT RECOMMENDED	SEE P/N 33472-5009	N/A	N/A	N/A	N/A
VOID KEY	33472-4820																					
KEY A, BLACK, W/O CPA	33472-4821	A-BLK	GCP	PLR		M	RR				4	5					SALEABLE		N/A	N/A	N/A	N/A
KEY B, LIGHT GRAY, W/O CPA	33472-4822	B-LG	GCP	PLR		M	RR				4	5					SALEABLE		N/A	N/A	N/A	N/A
KEY C, BROWN, W/O CPA	33472-4823	C-BR	GCP	PLR		M	RR				4	5					NOT RECOMMENDED		N/A	N/A	N/A	N/A
KEY D, GREEN, W/O CPA	33472-4824	D-GR	GCP	PLR		M	RR				4	5					NOT RECOMMENDED		N/A	N/A	N/A	N/A
VOID KEY	33472-4825																					
KEY A, BLACK, W/CPA	33472-4826	A-BLK	GCP	PLR	CPA	M	RR				4	5					SALEABLE		N/A	N/A	N/A	N/A
KEY B, LIGHT GRAY, W/CPA	33472-4827	B-LG	GCP	PLR	CPA	M	RR				4	5					SALEABLE		N/A	N/A	N/A	N/A
KEY C, BROWN, W/CPA	33472-4828	C-BR	GCP	PLR	CPA	M	RR				4	5					NOT RECOMMENDED		N/A	N/A	N/A	N/A
KEY D, GREEN, W/CPA	33472-4829	D-GR	GCP	PLR	CPA	M	RR				4	5					NOT RECOMMENDED	SEE P/N 33472-5010	N/A	N/A	N/A	N/A
VOID KEY	33472-4830																					
KEY A, BLACK, W/O CPA	33472-4831	A-BLK	GCP	PLR		M	RR	1			4	5					SALEABLE		N/A	N/A	N/A	N/A
KEY B, LIGHT GRAY, W/O CPA	33472-4832	B-LG	GCP	PLR		M	RR	1			4	5					SALEABLE		N/A	N/A	N/A	N/A
KEY C, BROWN, W/O CPA	33472-4833	C-BR	GCP	PLR		M	RR	1			4	5					NOT RECOMMENDED		N/A	N/A	N/A	N/A
KEY D, GREEN, W/O CPA	33472-4834	D-GR	GCP	PLR		M	RR	1			4	5					NOT RECOMMENDED		N/A	N/A	N/A	N/A
VOID KEY	33472-4835																					
KEY A, BLACK, W/CPA	33472-4836	A-BLK	GCP	PLR	CPA	M	RR	1			4	5					SALEABLE		N/A	N/A	N/A	N/A
KEY B, LIGHT GRAY, W/CPA	33472-4837	B-LG	GCP	PLR	CPA	M	RR	1			4	5					SALEABLE		N/A	N/A	N/A	N/A
KEY C, BROWN, W/CPA	33472-4838	C-BR	GCP	PLR	CPA	M	RR	1			4	5					NOT RECOMMENDED		N/A	N/A	N/A	N/A
KEY D, GREEN, W/CPA	33472-4839	D-GR	GCP	PLR	CPA	M	RR	1			4	5					NOT RECOMMENDED		N/A	N/A	N/A	N/A
VOID KEY	33472-4840																					
KEY A, BLACK, W/O CPA	33472-4841	A-BLK	GCP	PLR		M	RR	1			4	5			8		SALEABLE		N/A	N/A	N/A	N/A
KEY B, LIGHT GRAY, W/O CPA	33472-4842	B-LG	GCP	PLR		M	RR	1			4	5			8		SALEABLE		N/A	N/A	N/A	N/A
KEY C, BROWN, W/O CPA	33472-4843	C-BR	GCP	PLR		M	RR	1			4	5			8		NOT RECOMMENDED		N/A	N/A	N/A	N/A
KEY D, GREEN, W/O CPA	33472-4844	D-GR	GCP	PLR		M	RR	1			4	5			8		NOT RECOMMENDED		N/A	N/A	N/A	N/A
VOID KEY	33472-4845																					
KEY A, BLACK, W/CPA	33472-4846	A-BLK	GCP	PLR	CPA	M	RR	1			4	5			8		SALEABLE		N/A	N/A	N/A	N/A
KEY B, LIGHT GRAY, W/CPA	33472-4847	B-LG	GCP	PLR	CPA	M	RR	1			4	5			8		SALEABLE		N/A	N/A	N/A	N/A
KEY C, BROWN, W/CPA	33472-4848	C-BR	GCP	PLR	CPA	M	RR	1			4	5			8		NOT RECOMMENDED		N/A	N/A	N/A	N/A
KEY D, GREEN, W/CPA	33472-4849	D-GR	GCP	PLR	CPA	M	RR	1			4	5			8		NOT RECOMMENDED		N/A	N/A	N/A	N/A
VOID KEY	33472-4850																					
KEY A, BLACK, W/O CPA	33472-4851	A-BLK	GCP	PLR		M	RR	1	2	3	4	5	6	7	8		SALEABLE		N/A	N/A	N/A	N/A
KEY B, LIGHT GRAY, W/O CPA	33472-4852	B-LG	GCP	PLR		M	RR	1	2	3	4	5	6	7	8		SALEABLE		N/A	N/A	N/A	N/A
KEY C, BROWN, W/O CPA	33472-4853	C-BR	GCP	PLR		M	RR	1	2	3	4	5	6	7	8		NOT RECOMMENDED		N/A	N/A	N/A	N/A
KEY D, GREEN, W/O CPA	33472-4854	D-GR	GCP	PLR		M	RR	1	2	3	4	5	6	7	8		NOT RECOMMENDED		N/A	N/A	N/A	N/A
KEY D, BLACK, W/O CPA	33472-4855	D-BLK	GCP	PLR		M	RR	1	2	3	4	5	6	7	8		SALEABLE		N/A	N/A	N/A	N/A
KEY A, BLACK, W/CPA	33472-4856	A-BLK	GCP	PLR	CPA	M	RR		2				6	7			SALEABLE		N/A	N/A	N/A	N/A
KEY A, BLACK, W/CPA	33472-4857	A-BLK	GCP	PLR	CPA	M	RR	1	2			5	6	7			SALEABLE		N/A	N/A	N/A	N/A
KEY A, BLACK, W/CPA	33472-4858	A-BLK	GCP	PLR	CPA	M	RR	1	2	3			5	6	7		SALEABLE		N/A	N/A	N/A	N/A
KEY A, BLACK, W/O CPA	33472-4859	A-BLK	GCP	PLR		M	RR	1	2	3			6	7	8		SALEABLE		N/A	N/A	N/A	N/A
KEY D, BLACK, W/O CPA	33472-4860	D-BLK	GCP	PLR		M	RR				4						SALEABLE		N/A	N/A	N/A	N/A
KEY A, BLACK, W/O CPA	33472-4861	A-BLK	GCP	PLR		M	RR								8		SALEABLE		N/A	N/A	N/A	N/A
KEY A, BLACK, W/O CPA	33472-4862	A-BLK	GCP	PLR		M	RR	1									SALEABLE		N/A	N/A	N/A	N/A
KEY A, BLACK, W/O CPA	33472-4863	A-BLK	GCP	PLR		M	RR		2	3			5			8	SALEABLE		N/A	N/A	N/A	N/A
KEY A, BLACK, W/O CPA	33472-4864	A-BLK	GCP	PLR		M	RR	1		3			5				SALEABLE		N/A	N/A	N/A	N/A
KEY A, BLACK, W/O CPA	33472-4865	A-BLK	GCP	PLR		M	RR	1					6				SALEABLE		N/A	N/A	N/A	N/A
KEY A, BLACK, W/O CPA	33472-4866	A-BLK	GCP	PLR		M	RR		2	3			5	6		8	SALEABLE		N/A	N/A	N/A	N/A
KEY A, BLACK, W/O CPA	33472-4867	A-BLK	GCP	PLR		M	RR	1		3			5	6			SALEABLE		N/A	N/A	N/A	N/A
KEY A, BLACK, W/O CPA	33472-4868	A-BLK	GCP	PLR		M	RR						5	6		8	SALEABLE		N/A	N/A	N/A	N/A
KEY A, BLACK, W/O CPA	33472-4869	A-BLK	GCP	PLR		M	RR						6				SALEABLE		N/A	N/A	N/A	N/A
KEY A, BLACK, W/O CPA	33472-4870	A-BLK	GCP	PLR		M	RR	1		3			5	6	7	8	SALEABLE		N/A	N/A	N/A	N/A
KEY A, BLACK, W/O CPA	33472-4871	A-BLK	GCP	PLR		M	RR			2	3	4	5	6	7	8	SALEABLE		N/A	N/A	N/A	N/A
KEY A, BLACK, W/O CPA	33472-4872	A-BLK	GCP	PLR		M	RR								7	8	SALEABLE		N/A	N/A	N/A	N/A
KEY A, BLACK, W/O CPA	33472-4873	A-BLK	GCP	PLR		M	RR		2	3			6	7	8		SALEABLE		N/A	N/A	N/A	N/A
KEY A, BLACK, W/O CPA	33472-4874	A-BLK	GCP	PLR		M	RR			2	3						SALEABLE		N/A	N/A	N/A	N/A
KEY A, BLACK, W/O CPA	33472-4875	A-BLK	GCP	PLR		M	RR	1				4					SALEABLE		N/A	N/A	N/A	N/A
KEY A, BLACK, W/O CPA	33472-4876	A-BLK	GCP	PLR		M	RR		2	3			5	6	7	8	SALEABLE		N/A	N/A	N/A	N/A
KEY A, BLACK, W/CPA	33472-4877	A-BLK	GCP	PLR	CPA	M	RR								8		SALEABLE		N/A	N/A	N/A	N/A
KEY A, BLACK, W/O CPA	33472-4878	A-BLK	GCP	PLR		M	RR				3		5	6			SALEABLE		N/A	N/A	N/A	N/A
KEY C, DARK GRAY, W/O CPA	33472-4879	C-DG	GCO	PLR		M	RR										SALEABLE		N/A	N/A	N/A	N/A
KEY D, STONE GRAY, W/O CPA	33472-4880	D-SG	GCO	PLR		M	RR										SALEABLE		N/A	N/A	N/A	N/A
KEY C, DARK GRAY, W/CPA	33472-4881	C-DG	GCO	PLR	CPA	M	RR										SALEABLE		N/A	N/A	N/A	N/A
KEY D, STONE GRAY, W/CPA	33472-4882	D-SG	GCO	PLR	CPA	M	RR										SALEABLE		N/A	N/A	N/A	N/A
KEY A, BLACK, W/O CPA	33472-4883	A-BLK	GCP	PLR		M	RR		2	3	4	5			7	8	SALEABLE		N/A	N/A	N/A	N/A
KEY A, BLACK, W/O CPA	33472-4884	A-BLK	GCP	PLR		M	RR			3			6	7			SALEABLE		N/A	N/A	N/A	N/A
KEY A, BLACK, W/O CPA	33472-4885	A-BLK	GCP	PLR		M	RR		2	3	4	5	6				SALEABLE		N/A	N/A	N/A	N/A
KEY A, BLACK, W/O CPA	33472-4886	A-BLK	GCP	PLR		M	RR			3			6				SALEABLE		N/A	N/A	N/A	N/A
KEY B, LIGHT GRAY, W/CPA	33472-4887	B-LG	GCP	PLR	CPA	M	RR								8		SALEABLE		N/A	N/A	N/A	N/A
KEY B, LIGHT GRAY, W/O CPA	33472-4888	B-LG	GCP	PLR		M	RR	1							6		SALEABLE		N/A	N/A	N/A	N/A
KEY A, BLACK, W/O CPA	33472-4889	A-BLK	GCP	PLR		M	RR	1					5				SALEABLE		N/A	N/A	N/A	N/A
KEY A, YELLOW, W/CPA	33472-4890	A-YW	GCO	PLR	CPA	M	RR			2	3						SALEABLE		N/A	N/A	N/A	N/A
KEY A, YELLOW, W/CPA	33472-4891	A-YW	GCO	PLR	CPA	M	RR										SALEABLE		N/A	N/A	N/A	N/A
KEY A, YELLOW, W/O CPA	33472-4892	A-YW	GCO	PLR		M	RR										SALEABLE		N/A	N/A	N/A	N/A
KEY A, BLACK, W/CPA	33472-4893	A-BLK	GCP	PLR	CPA	M	RR						6				SALEABLE		N/A	N/A	N/A	N/A
KEY A, BLACK, W/CPA	33472-4894	A-BLK	GCP	PLR	CPA	M	RR	1	2	3					6	7	8	SALEABLE		N/A	N/A	N/A
KEY A, BLACK, W/O CPA	33472-4895	A-BLK	GCP	PLR		M	RR	1	2								SALEABLE		N/A	N/A	N/A	N/A
KEY A, BLACK, W/O CPA	33472-5001	A-BLK	GCP	PLR		M	RR	1	2	3	4						SALEABLE		N/A	N/A	N/A	N/A
KEY B, LIGHT GRAY, W/O CPA	33472-5002	B-LG	GCP	PLR		M	RR								6		SALEABLE		N/A	N/A	N/A	N/A
KEY A, BLACK, W/O CPA	33472-5003	A-BLK	GCP	PLR		M	RR	1			4						SALEABLE		N/A	N/A	N/A	N/A
KEY A, BLACK, W/O CPA	33472-5004	A-BLK	GCP	PLR		M	RR		2	3			5	6	7	8	SALEABLE		N/A	N/A	N/A	N/A

**MX150 RECEPACLE 2X4 SEALED ASSEMBLY MAT SEAL
BOM AND PIN OUT SHEET**

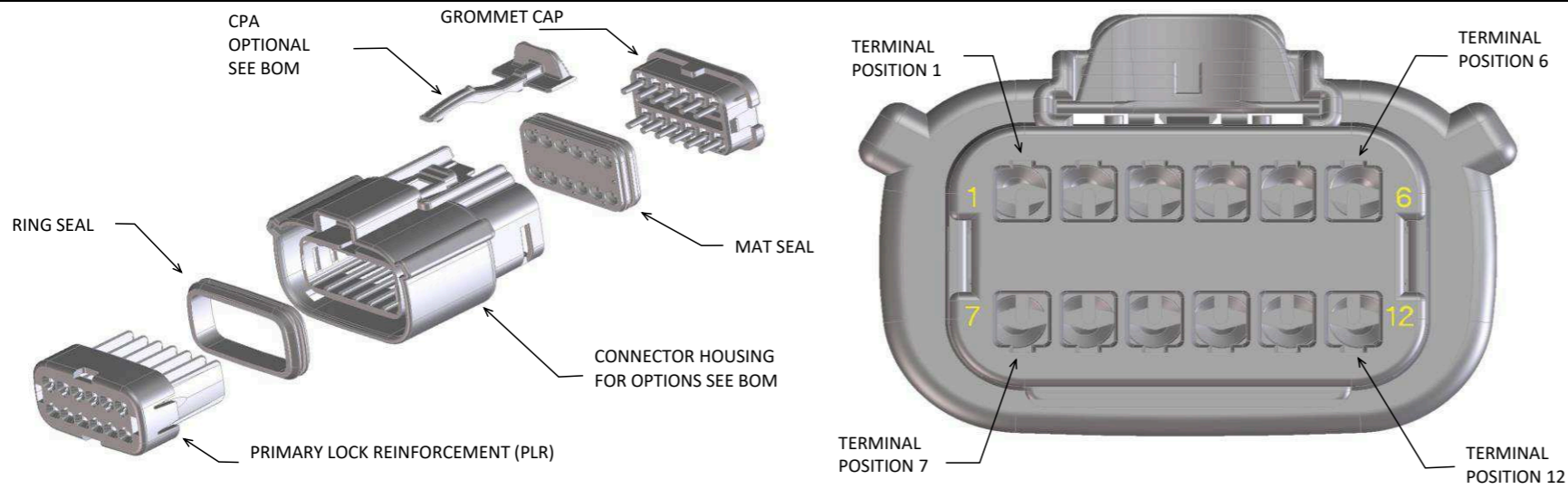
ASSEMBLY DESCRIPTION	ASSEMBLY PART NUMBER	COMPONENT							BLOCKED TERMINALS								STATUS	COMMENTS	OPTIONAL ATTACHMENTS SOLD SEPERATELY			
		THE PRESENCE OF AN ABBREVIATION INDICATES THE PRESENCE OF THAT COMPONENT.							CAVITY WITH A NUMBER INDICATES BLOCKED TERMINAL POSITION CAVITY WITHOUT A NUMBER INDICATES OPEN TERMINAL POSITION										BACKSHELL WITH RIBS	BACKSHELL WITHOUT RIBS	90° ADAPTOR WITH RIBS	90° ADAPTOR WITHOUT RIBS
		HOUSING KEY/COLOR	GROMMET CAP	PLR	CPA	MAT SEAL	RING SEAL	1	2	3	4	5	6	7	8							
KEY A, BLACK, W/CPA	33472-5005	A-BLK	GCP	PLR	CPA	M	RR								8	SALEABLE		N/A	N/A	N/A	N/A	
KEY A, BLACK, W/O CPA	33472-5006	A-BLK	GCP	PLR		M	RR	1	2	3	4	5	6			SALEABLE		N/A	N/A	N/A	N/A	
KEY A, BLACK, W/CPA	33472-5007	A-BLK	GCP	PLR	CPA	M	RR						6	7		SALEABLE		N/A	N/A	N/A	N/A	
KEY A, BLACK, W/CPA	33472-5008	A-BLK	GCP	PLR	CPA	M	RR							7		SALEABLE		N/A	N/A	N/A	N/A	
KEY D, STONE GRAY, W/CPA	33472-5009	D-SG	GCP	PLR	CPA	M	RR				4					SALEABLE		N/A	N/A	N/A	N/A	
KEY D, STONE GRAY, W/CPA	33472-5010	D-SG	GCP	PLR	CPA	M	RR				4	5				SALEABLE		N/A	N/A	N/A	N/A	
KEY D, STONE GRAY, W/CPA	33472-5011	D-SG	GCP	PLR	CPA	M	RR				4	5	6			SALEABLE		N/A	N/A	N/A	N/A	
KEY A, BLACK, W/O CPA	33472-5012	A-BLK	GCP	PLR		M	RR				4			7	8	SALEABLE		N/A	N/A	N/A	N/A	
KEY A, BLACK, W/CPA	33472-5013	A-BLK	GCP	PLR	CPA	M	RR			3	4	5	6	7	8	SALEABLE		N/A	N/A	N/A	N/A	
KEY A, BLACK, W/O CPA	33472-5014	A-BLK	GCP	PLR		M	RR			3	4	5	6	7	8	SALEABLE		N/A	N/A	N/A	N/A	
KEY A, BLACK, W/CPA	33472-5015	A-BLK	GCP	PLR	CPA	M	RR				4			7	8	SALEABLE		N/A	N/A	N/A	N/A	
KEY A, BLACK, W/O CPA	33472-5016	A-BLK	GCP	PLR		M	RR						6	7	8	SALEABLE		N/A	N/A	N/A	N/A	
KEY A, BLACK, W/O CPA	33472-5017	A-BLK	GCP	PLR		M	RR	1		3	4					SALEABLE		N/A	N/A	N/A	N/A	
KEY A, BLACK, W/CPA	33472-5018	A-BLK	GCP	PLR	CPA	M	RR					5	6	7	8	SALEABLE		N/A	N/A	N/A	N/A	
KEY A, BLACK, W/CPA	33472-5019	A-BLK	GCP	PLR	CPA	M	RR							7	8	SALEABLE		N/A	N/A	N/A	N/A	
KEY A, BLACK, W/CPA	33472-5020	A-BLK	GCP	PLR	CPA	M	RR						6	7	8	SALEABLE		N/A	N/A	N/A	N/A	
KEY A, BLACK, W/CPA	33472-5021	A-BLK	GCP	PLR	CPA	M	RR	1	2	3	4	5	6	7	8	SALEABLE		N/A	N/A	N/A	N/A	
KEY A, BLACK, W/CPA	33472-5022	A-BLK	GCP	PLR	CPA	M	RR	1				5				SALEABLE		N/A	N/A	N/A	N/A	
KEY A, BLACK, W/O CPA	33472-5023	A-BLK	GCP	PLR		M	RR					5	6	7	8	SALEABLE		N/A	N/A	N/A	N/A	
KEY A, BLACK, W/O CPA	33472-5024	A-BLK	GCP	PLR		M	RR			3	4					SALEABLE		N/A	N/A	N/A	N/A	
KEY D, STONE GRAY, W/O CPA	33472-5025	D-SG	GCP	PLR		M	RR				4	5	6			SALEABLE		N/A	N/A	N/A	N/A	
KEY D, STONE GRAY, W/O CPA	33472-5026	D-SG	GCP	PLR		M	RR				4					SALEABLE		N/A	N/A	N/A	N/A	
KEY B, LIGHT GRAY, W/O CPA	33472-5027	B-LG	GCP	PLR		M	RR							7	8	SALEABLE		N/A	N/A	N/A	N/A	
KEY A, BLACK, W/O CPA	33472-5028	A-BLK	GCP	PLR		M	RR	1	2	3	4			7	8	SALEABLE		N/A	N/A	N/A	N/A	
KEY A, BLACK, W/O CPA	33472-5029	A-BLK	GCP	PLR		M	RR			3	4					SALEABLE		N/A	N/A	N/A	N/A	
KEY A, BLACK, W/O CPA	33472-5030	A-BLK	GCP	PLR		M	RR	1	2	3	4	5		7		SALEABLE		N/A	N/A	N/A	N/A	
KEY A, BLACK, W/O CPA	33472-5031	A-BLK	GCP	PLR		M	RR					5				SALEABLE		N/A	N/A	N/A	N/A	
KEY A, BLACK, W/O CPA	33472-5032	A-BLK	GCP	PLR		M	RR		2							SALEABLE		N/A	N/A	N/A	N/A	
KEY B, LIGHT GRAY, W/O CPA	33472-5033	B-LG	GCP	PLR		M	RR	1		3					8	SALEABLE		N/A	N/A	N/A	N/A	
KEY B, LIGHT GRAY, W/O CPA	33472-5034	B-LG	GCP	PLR		M	RR			3					8	SALEABLE		N/A	N/A	N/A	N/A	
KEY B, LIGHT GRAY, W/O CPA	33472-5035	B-LG	GCP	PLR		M	RR	1								SALEABLE		N/A	N/A	N/A	N/A	
KEY A, BLACK, W/O CPA	33472-5036	A-BLK	GCP	PLR		M	RR	1							8	SALEABLE		N/A	N/A	N/A	N/A	
KEY A, BLACK, W/O CPA	33472-5037	A-BLK	GCP	PLR		M	RR								8	SALEABLE		N/A	N/A	N/A	N/A	
KEY A, BLACK, W/O CPA	33472-5038	A-BLK	GCP	PLR		M	RR	1			4	5	6	7	8	SALEABLE		N/A	N/A	N/A	N/A	
KEY A, BLACK, W/O CPA	33472-5039	A-BLK	GCP	PLR		M	RR		2					7		SALEABLE		N/A	N/A	N/A	N/A	
KEY B, LIGHT GRAY, W/O CPA	33472-5040	B-LG	GCP	PLR		M	RR					5		7		SALEABLE		N/A	N/A	N/A	N/A	
KEY A, BLACK, W/O CPA	33472-5041	A-BLK	GCP	PLR		M	RR				4	5	6	7	8	SALEABLE		N/A	N/A	N/A	N/A	
KEY A, BLACK, W/O CPA	33472-5042	A-BLK	GCP	PLR		M	RR					5			8	SALEABLE		N/A	N/A	N/A	N/A	
KEY A, BLACK, W/O CPA	33472-5043	A-BLK	GCP	PLR		M	RR		2		4	5	6			SALEABLE		N/A	N/A	N/A	N/A	
KEY A, BLACK, W/O CPA	33472-5044	A-BLK	GCP	PLR		M	RR	1	2	3	4		6	7		SALEABLE		N/A	N/A	N/A	N/A	
KEY A, BLACK, W/O CPA	33472-5045	A-BLK	GCP	PLR		M	RR				4		6			SALEABLE		N/A	N/A	N/A	N/A	
KEY A, BLACK, W/CPA	33472-5046	A-BLK	GCP	PLR	CPA	M	RR	1						7		SALEABLE		N/A	N/A	N/A	N/A	
KEY B, LIGHT GRAY, W/O CPA	33472-5047	B-LG	GCP	PLR		M	RR					5				SALEABLE		N/A	N/A	N/A	N/A	
KEY A, BLACK, W/O CPA	33472-5048	A-BLK	GCP	PLR		M	RR	1	2			5	6		8	SALEABLE		N/A	N/A	N/A	N/A	
KEY A, BLACK, W/O CPA	33472-5049	A-BLK	GCP	PLR		M	RR	1	2						8	SALEABLE		N/A	N/A	N/A	N/A	
KEY A, BLACK, W/O CPA	33472-5050	A-BLK	GCP	PLR		M	RR				4	5	6			SALEABLE		N/A	N/A	N/A	N/A	
KEY A, BLACK, W/O CPA	33472-5051	A-BLK	GCP	PLR		M	RR	1	2	3			6			SALEABLE		N/A	N/A	N/A	N/A	
KEY A, BLACK, W/O CPA	33472-5052	A-BLK	GCP	PLR		M	RR				4	5		7	8	SALEABLE		N/A	N/A	N/A	N/A	
KEY A, BLACK, W/O CPA	33472-5053	A-BLK	GCP	PLR		M	RR			3	4			7	8	SALEABLE		N/A	N/A	N/A	N/A	
KEY A, BLACK, W/O CPA	33472-5054	A-BLK	GCP	PLR		M	RR	1		3	4			7	8	SALEABLE		N/A	N/A	N/A	N/A	
KEY A, BLACK, W/O CPA	33472-5055	A-BLK	GCP	PLR		M	RR				4				8	SALEABLE		N/A	N/A	N/A	N/A	
KEY A, BLACK, W/O CPA	33472-5056	A-BLK	GCP	PLR		M	RR				4	5			8	SALEABLE		N/A	N/A	N/A	N/A	
KEY D, STONE GRAY, W/O CPA	33472-5057	D-SG	GCP	PLR		M	RR	1	2	3	4	5	6	7	8	SALEABLE		N/A	N/A	N/A	N/A	
KEY A, BLACK, W/CPA	33472-5058	A-BLK	GCP	PLR	CPA	M	RR		2			5			8	SALEABLE		N/A	N/A	N/A	N/A	
KEY B, LIGHT GRAY, W/O CPA	33472-5059	B-LG	GCP	PLR		M	RR		2					7		SALEABLE		N/A	N/A	N/A	N/A	
KEY B, LIGHT GRAY, W/O CPA	33472-5060	B-LG	GCP	PLR		M	RR		2							SALEABLE		N/A	N/A	N/A	N/A	
KEY A, BLACK, W/O CPA	33472-5061	A-BLK	GCP	PLR		M	RR		2	3	4		6	7	8	SALEABLE		N/A	N/A	N/A	N/A	
KEY A, BLACK, W/O CPA	33472-5062	A-BLK	GCP	PLR		M	RR		2	3			6	7		SALEABLE		N/A	N/A	N/A	N/A	
KEY A, BLACK, WITH CLIPSLOT, W/O CPA	33472-4901	A-BLK-CLIP	GCO	PLR		M	RR									SALEABLE	34951-0811	34951-0821	34951-0831	34951-0841		
KEY B, LIGHT GRAY, WITH CLIPSLOT, W/O CPA	33472-4902	B-LG-CLIP	GCO	PLR		M	RR									SALEABLE	34951-0811	34951-0821	34951-0831	34951-0841		
KEY C, BROWN, WITH CLIPSLOT, W/O CPA	33472-4903	C-BR-CLIP	GCO	PLR		M	RR									NOT RECOMMENDED	SEE P/N 33472-4922	34951-0811	34951-0821	34951-0831	34951-0841	
KEY D, GREEN, WITH CLIPSLOT, W/O CPA	33472-4904	D-GR-CLIP	GCO	PLR		M	RR									NOT RECOMMENDED	SEE P/N 33472-4923	34951-0811	34951-0821	34951-0831	34951-0841	
KEY D, BLACK, WITH CLIPSLOT, W/O CPA	33472-4905	D-BLK-CLIP	GCO	PLR		M	RR									SALEABLE	34951-0811	34951-0821	34951-0831	34951-0841		
KEY A, BLACK, WITH CLIPSLOT, W/CPA	33472-4906	A-BLK-CLIP	GCO	PLR	CPA	M	RR									SALEABLE	34951-0811	34951-0821	34951-0831	34951-0841		
KEY B, LIGHT GRAY, WITH CLIPSLOT, W/CPA	33472-4907	B-LG-CLIP	GCO	PLR	CPA	M	RR									SALEABLE	34951-0811	34951-0821	34951-0831	34951-0841		
KEY C, BROWN, WITH CLIPSLOT, W/CPA	33472-4908	C-BR-CLIP	GCO	PLR	CPA	M	RR									NOT RECOMMENDED	SEE P/N 33472-4924	34951-0811	34951-0821	34951-0831	34951-0841	
KEY D, GREEN, WITH CLIPSLOT, W/CPA	33472-4909	D-GR-CLIP	GCO	PLR	CPA	M	RR									NOT RECOMMENDED	SEE P/N 33472-4925	34951-0811	34951-0821	34951-0831	34951-0841	
KEY A, BLACK, WITH CLIPSLOT, W/O CPA	33472-4910	A-BLK-CLIP	GCP	PLR		M	RR				4					SALEABLE	34951-0811	34951-0821	34951-0831	34951-0841		
KEY A, BLACK, WITH CLIPSLOT, W/O CPA	33472-4920	A-BLK-CLIP	GCP	PLR		M	RR				4				8	SALEABLE	34951-0811	34951-0821	34951-0831	34951-0841		
KEY A, BLACK, WITH CLIPSLOT, W/O CPA	33472-4921	A-BLK-CLIP	GCP	PLR		M	RR								8	SALEABLE	34951-0811	34951-0821	34951-0831	34951-0841		
KEY C, DARK GRAY, WITH CLIPSLOT, W/O CPA	33472-4922	C-DG-CLIP	GCO	PLR		M	RR									SALEABLE	34951-0811	34951-0821	34951-0831	34951-0841		
KEY D, STONE GRAY, WITH CLIPSLOT, W/O CPA	33472-4923	D-SG-CLIP	GCO	PLR		M	RR									SALEABLE	34951-0811	34951-0821	34951-0831	34951-0841		
KEY C, DARK GRAY, WITH CLIPSLOT, W/CPA	33472-4924	C-DG-CLIP	GCO	PLR	CPA	M	RR									SALEABLE	34951-0811	34951-0821	34951-0831	34951-0841		
KEY D, STONE GRAY, WITH CLIPSLOT, W/CPA	33472-4925	D-SG-CLIP	GCO	PLR	CPA	M	RR									SALEABLE	34951-0811	34951-0821	34951-0831	34951-0841		
KEY B, LIGHT GRAY, WITH CLIPSLOT, W/O CPA	33472-4926	B-LG-CLIP	GCP	PLR		M	RR				4				8	SALEABLE	34951-0811	34951-0821	34951-0831	34951-0841		
KEY A, BLACK, WITH CLIPSLOT, W/CPA	33472-4927	A-BLK-CLIP	GCP	PLR	CPA	M	RR				4				8	SALEABLE	34951-0811	34951-0821	34951-0831	34951-0841		
KEY B, LIGHT GRAY, WITH CLIPSLOT, W/CPA	33472-4928	B-LG-CLIP	GCP	PLR	CPA	M	RR				4				8	SALEABLE	34951-0811	34951-0821	34951-0831	34951-0841		
KEY A, BLACK, WITH CLIPSLOT, W/O CPA																						



**MX150 RECEPTACLE 2X4 SEALED ASSEMBLY MAT SEAL
BOM AND PIN OUT SHEET**

ASSEMBLY DESCRIPTION	ASSEMBLY PART NUMBER	COMPONENT							BLOCKED TERMINALS								STATUS	COMMENTS	OPTIONAL ATTACHMENTS SOLD SEPERATELY			
		THE PRESENCE OF AN ABBREVIATION INDICATES THE PRESENCE OF THAT COMPONENT.							CAVITY WITH A NUMBER INDICATES BLOCKED TERMINAL POSITION CAVITY WITHOUT A NUMBER INDICATES OPEN TERMINAL POSITION										BACKSHELL WITH RIBS	BACKSHELL WITHOUT RIBS	90° ADAPTOR WITH RIBS	90° ADAPTOR WITHOUT RIBS
		HOUSING KEY/COLOR	GROMMET CAP	PLR	CPA	MAT SEAL	RING SEAL	1	2	3	4	5	6	7	8							
KEY A, BLACK, WITH CLIPSLOT, W/CPA	33472-4933	A-BLK-CLIP	GCP	PLR	CPA	M	RR								8	SALEABLE		34951-0811	34951-0821	34951-0831	34951-0841	
KEY B, LIGHT GRAY, WITH CLIPSLOT, W/CPA	33472-4934	B-LG-CLIP	GCP	PLR	CPA	M	RR								8	SALEABLE		34951-0811	34951-0821	34951-0831	34951-0841	
KEY A, BLACK, WITH CLIPSLOT, W/CPA	33472-4935	A-BLK-CLIP	GCP	PLR	CPA	M	RR		2	3	4			6	7	8	SALEABLE		34951-0811	34951-0821	34951-0831	34951-0841
KEY A, BLACK, WITH CLIPSLOT, W/O CPA	33472-4936	A-BLK-CLIP	GCP	PLR		M	RR							6	7	8	SALEABLE		34951-0811	34951-0821	34951-0831	34951-0841
KEY A, BLACK, WITH CLIPSLOT, W/O CPA	33472-4937	A-BLK-CLIP	GCP	PLR		M	RR							5		8	SALEABLE		34951-0811	34951-0821	34951-0831	34951-0841
KEY A, BLACK, WITH CLIPSLOT, W/O CPA	33472-4938	A-BLK-CLIP	GCP	PLR		M	RR							5			SALEABLE		34951-0811	34951-0821	34951-0831	34951-0841
KEY A, BLACK, WITH CLIPSLOT, W/O CPA	33472-4939	A-BLK-CLIP	GCP	PLR		M	RR				4	5	6	7	8		SALEABLE		34951-0811	34951-0821	34951-0831	34951-0841
KEY A, BLACK, WITH CLIPSLOT, W/O CPA	33472-4940	A-BLK-CLIP	GCP	PLR		M	RR	1	2					5	6		SALEABLE		34951-0811	34951-0821	34951-0831	34951-0841
KEY A, BLACK, WITH CLIPSLOT, W/O CPA	33472-4941	A-BLK-CLIP	GCP	PLR		M	RR	1	2	3	4	5	6				SALEABLE		34951-0811	34951-0821	34951-0831	34951-0841
KEY A, BLACK, WITH CLIPSLOT, W/O CPA	33472-4942	A-BLK-CLIP	GCP	PLR		M	RR				4	5	6				SALEABLE		34951-0811	34951-0821	34951-0831	34951-0841
KEY A, BLACK, WITH CLIPSLOT, W/O CPA	33472-4943	A-BLK-CLIP	GCP	PLR		M	RR		2	3				6	7		SALEABLE		34951-0811	34951-0821	34951-0831	34951-0841
KEY A, BLACK, WITH CLIPSLOT, W/O CPA	33472-4944	A-BLK-CLIP	GCP	PLR		M	RR				4	5		7			SALEABLE		34951-0811	34951-0821	34951-0831	34951-0841
KEY A, BLACK, WITH CLIPSLOT, W/O CPA	33472-4945	A-BLK-CLIP	GCP	PLR		M	RR							7			SALEABLE		34951-0811	34951-0821	34951-0831	34951-0841
KEY A, BLACK, WITH CLIPSLOT, W/O CPA	33472-4946	A-BLK-CLIP	GCP	PLR		M	RR			3				7			SALEABLE		34951-0811	34951-0821	34951-0831	34951-0841
KEY A, BLACK, WITH CLIPSLOT, W/O CPA	33472-4947	A-BLK-CLIP	GCP	PLR		M	RR	1		3	4	5	6	7	8		SALEABLE		34951-0811	34951-0821	34951-0831	34951-0841
KEY A, BLACK, WITH CLIPSLOT, W/CPA	33472-5063	A-BLK-CLIP	GCP	PLR	CPA	M	RR					5	6	7	8		SALEABLE		34951-0811	34951-0821	34951-0831	34951-0841
KEY A, BLACK, WITH CLIPSLOT, W/O CPA	33472-5064	A-BLK-CLIP	GCP	PLR		M	RR					5	6	7	8		SALEABLE		34951-0811	34951-0821	34951-0831	34951-0841
KEY B, LIGHT GRAY, W/O CPA	33472-5065	B-LG	GCP	PLR		M	RR	1			4			7	8		SALEABLE		N/A	N/A	N/A	N/A
KEY A, BLACK, W/O CPA	33472-5066	A-BLK	GCP	PLR		M	RR			3							SALEABLE		N/A	N/A	N/A	N/A
KEY A, BLACK, WITH CLIPSLOT, W/O CPA	33472-5067	A-BLK-CLIP	GCP	PLR		M	RR	1						7	8		SALEABLE		34951-0811	34951-0821	34951-0831	34951-0841

MX150 RECEPTACLE 2X6 SEALED ASSEMBLY MAT SEAL
BOM AND PIN OUT SHEET



FOR ADDITIONAL INFORMATION SEE SD-33472-0001

ABBREVIATION	DESCRIPTION	COLOR	MATERIAL
A-BLK	HOUSING, KEYING OPTION A	BLACK	SPS/NYLON GF20
B-LG	HOUSING, KEYING OPTION B	LIGHT GRAY	SPS/NYLON GF20
C-BR	HOUSING, KEYING OPTION C	BROWN	SPS/NYLON GF20
D-GR	HOUSING, KEYING OPTION D	GREEN	SPS/NYLON GF20
C-DG	HOUSING, KEYING OPTION C	DARK GRAY	SPS/NYLON GF20
D-SG	HOUSING, KEYING OPTION D	STONE GRAY	SPS/NYLON GF20
A-YW	HOUSING, KEYING OPTION A	YELLOW	SPS/NYLON GF20
A-BLK-CLIP	HOUSING, KEYING OPTION A WITH CLIPSLOT	BLACK	SPS/NYLON GF20
B-LG-CLIP	HOUSING, KEYING OPTION B WITH CLIPSLOT	LIGHT GRAY	SPS/NYLON GF20
C-BR-CLIP	HOUSING, KEYING OPTION C WITH CLIPSLOT	BROWN	SPS/NYLON GF20
D-GR-CLIP	HOUSING, KEYING OPTION D WITH CLIPSLOT	GREEN	SPS/NYLON GF20
C-DG-CLIP	HOUSING, KEYING OPTION C WITH CLIPSLOT	DARK GRAY	SPS/NYLON GF20
D-SG-CLIP	HOUSING, KEYING OPTION D WITH CLIPSLOT	STONE GRAY	SPS/NYLON GF20
GC	GROMMET CAP	BLACK	SPS/NYLON GF20
PLR	PLR	NATURAL	SPS/NYLON GF20
CPA	CPA	RED	PBT GF30
M	MAT SEAL	LIGHT BLUE	INHERENTLY LUBRICATED SILICONE
R	RING SEAL	GREEN	INHERENTLY LUBRICATED SILICONE

ASSEMBLY DESCRIPTION	ASSEMBLY PART NUMBER	COMPONENT							BLOCKED TERMINALS												STATUS	COMMENTS	OPTIONAL ATTACHMENTS SOLD SEPERATELY					
		THE PRESENCE OF AN ABBREVIATION INDICATES THE PRESENCE OF THAT COMPONENT.							CAVITY WITH A NUMBER INDICATES BLOCKED TERMINAL POSITION CAVITY WITHOUT A NUMBER INDICATES OPEN TERMINAL POSITION														BACKSHELL WITH RIBS	BACKSHELL WITHOUT RIBS				
		HOUSING KEY/COLOR	GROMMET CAP	PLR	CPA	MAT SEAL	RING SEAL	1	2	3	4	5	6	7	8	9	10	11	12									
KEY A, BLACK, W/O CPA	33472-1201	A-BLK	GC	PLR		M	R																	SALEABLE		34951-1210	34951-1220	
KEY B, LIGHT GRAY, W/O CPA	33472-1202	B-LG	GC	PLR		M	R																		SALEABLE		34951-1210	34951-1220
KEY C, BROWN, W/O CPA	33472-1203	C-BR	GC	PLR		M	R																	NOT RECOMMENDED	SEE P/N 33472-1253	34951-1210	34951-1220	
KEY D, GREEN, W/O CPA	33472-1204	D-GR	GC	PLR		M	R																	NOT RECOMMENDED	SEE P/N 33472-1254	34951-1210	34951-1220	
VOID KEY	33472-1205																											
KEY A, BLACK, W/CPA	33472-1206	A-BLK	GC	PLR	CPA	M	R																		SALEABLE		34951-1210	34951-1220
KEY B, LIGHT GRAY, W/CPA	33472-1207	B-LG	GC	PLR	CPA	M	R																		SALEABLE		34951-1210	34951-1220
KEY C, BROWN, W/CPA	33472-1208	C-BR	GC	PLR	CPA	M	R																	NOT RECOMMENDED	SEE P/N 33472-1259	34951-1210	34951-1220	
KEY D, GREEN, W/CPA	33472-1209	D-GR	GC	PLR	CPA	M	R																	NOT RECOMMENDED	SEE P/N 33472-1260	34951-1210	34951-1220	
VOID KEY	33472-1210																											
KEY A, BLACK, W/O CPA	33472-1211	A-BLK	GC	PLR		M	R																		SALEABLE		34951-1210	34951-1220
KEY B, LIGHT GRAY, W/O CPA	33472-1212	B-LG	GC	PLR		M	R																		SALEABLE		34951-1210	34951-1220
KEY C, BROWN, W/O CPA	33472-1213	C-BR	GC	PLR		M	R																	NOT RECOMMENDED		34951-1210	34951-1220	
KEY D, GREEN, W/O CPA	33472-1214	D-GR	GC	PLR		M	R																	NOT RECOMMENDED		34951-1210	34951-1220	
VOID KEY	33472-1215																											
KEY A, BLACK, W/CPA	33472-1216	A-BLK	GC	PLR	CPA	M	R																		SALEABLE		34951-1210	34951-1220
KEY B, LIGHT GRAY, W/CPA	33472-1217	B-LG	GC	PLR	CPA	M	R																		SALEABLE		34951-1210	34951-1220
KEY C, BROWN, W/CPA	33472-1218	C-BR	GC	PLR	CPA	M	R																	NOT RECOMMENDED		34951-1210	34951-1220	
KEY D, GREEN, W/CPA	33472-1219	D-GR	GC	PLR	CPA	M	R																	NOT RECOMMENDED		34951-1210	34951-1220	
VOID KEY	33472-1220																											
KEY A, BLACK, W/O CPA	33472-1221	A-BLK	GC	PLR		M	R																		SALEABLE		34951-1210	34951-1220
KEY B, LIGHT GRAY, W/O CPA	33472-1222	B-LG	GC	PLR		M	R																		SALEABLE		34951-1210	34951-1220
KEY C, BROWN, W/O CPA	33472-1223	C-BR	GC	PLR		M	R																	NOT RECOMMENDED		34951-1210	34951-1220	
KEY D, GREEN, W/O CPA	33472-1224	D-GR	GC	PLR		M	R																	NOT RECOMMENDED		34951-1210	34951-1220	
VOID KEY	33472-1225																											
KEY A, BLACK, W/CPA	33472-1226	A-BLK	GC	PLR	CPA	M	R																		SALEABLE		34951-1210	34951-1220
KEY B, LIGHT GRAY, W/CPA	33472-1227	B-LG	GC	PLR	CPA	M	R																		SALEABLE		34951-1210	34951-1220
KEY C, BROWN, W/CPA	33472-1228	C-BR	GC	PLR	CPA	M	R																	NOT RECOMMENDED		34951-1210	34951-1220	
KEY D, GREEN, W/CPA	33472-1229	D-GR	GC	PLR	CPA	M	R																	NOT RECOMMENDED		34951-1210	34951-1220	
VOID KEY	33472-1230																											
KEY A, BLACK, W/O CPA	33472-1231	A-BLK	GC	PLR		M	R	1																	SALEABLE		34951-1210	34951-1220
KEY B, LIGHT GRAY, W/O CPA	33472-1232	B-LG	GC	PLR		M	R	1																	SALEABLE		34951-1210	34951-1220
KEY C, BROWN, W/O CPA	33472-1233	C-BR	GC	PLR		M	R	1																NOT RECOMMENDED		34951-1210	34951-1220	
KEY D, GREEN, W/O CPA	33472-1234	D-GR	GC	PLR		M	R	1																NOT RECOMMENDED		34951-1210	34951-1220	
VOID KEY	33472-1235																											
KEY A, BLACK, W/CPA	33472-1236	A-BLK	GC	PLR	CPA	M	R	1																	SALEABLE		34951-1210	34951-1220
KEY B, LIGHT GRAY, W/CPA	33472-1237	B-LG	GC	PLR	CPA	M	R	1																	SALEABLE		34951-1210	34951-1220
KEY C, BROWN, W/CPA	33472-1238	C-BR	GC	PLR	CPA	M	R	1																NOT RECOMMENDED		34951-1210	34951-1220	
KEY D, GREEN, W/CPA	33472-1239	D-GR	GC	PLR	CPA	M	R	1																NOT RECOMMENDED		34951-1210	34951-1220	
VOID KEY	33472-1240																											
KEY A, BLACK, W/O CPA	33472-1241	A-BLK	GC	PLR		M	R	1																	SALEABLE		34951-1210	34951-1220
KEY B, LIGHT GRAY, W/O CPA	33472-1242	B-LG	GC	PLR		M	R	1																	SALEABLE		34951-1210	34951-1220
KEY C, BROWN, W/O CPA	33472-1243	C-BR	GC	PLR		M	R	1																NOT RECOMMENDED		34951-1210	34951-1220	
KEY D, GREEN, W/O CPA	33472-1244	D-GR	GC	PLR		M	R	1																NOT RECOMMENDED		34951-1210	34951-1220	
VOID KEY	33472-1245																											
KEY A, BLACK, W/CPA	33472-1246	A-BLK	GC	PLR	CPA	M	R	1																	SALEABLE		34951-1210	34951-1220
KEY B, LIGHT GRAY, W/CPA	33472-1247	B-LG	GC	PLR	CPA	M	R	1																	SALEABLE		34951-1210	34951-1220
KEY C, BROWN, W/CPA	33472-1248	C-BR	GC	PLR	CPA	M	R	1																NOT RECOMMENDED		34951-1210	34951-1220	
KEY D, GREEN, W/CPA	33472-1249	D-GR	GC	PLR	CPA	M	R	1																NOT RECOMMENDED		34951-1210	34951-1220	
VOID KEY	33472-1250																											
KEY A, BLACK, W/O CPA	33472-1251	A-BLK	GC	PLR		M	R																		SALEABLE		34951-1210	34951-1220
KEY A, BLACK, W/CPA	33472-1252	A-BLK	GC	PLR	CPA	M	R																		SALEABLE		34951-1210	34951-1220
KEY C, DARK GRAY, W/O CPA	33472-1253	C-DG	GC	PLR		M	R																		SALEABLE		34951-1210	34951-1220
KEY D, STONE GRAY, W/O CPA	33472-1254	D-SG	GC	PLR		M	R																		SALEABLE		34951-1210	34951-1220

MX150 RECEPTACLE 2X6 SEALED ASSEMBLY MAT SEAL
BOM AND PIN OUT SHEET

ASSEMBLY DESCRIPTION	ASSEMBLY PART NUMBER	COMPONENT							BLOCKED TERMINALS												STATUS	COMMENTS	OPTIONAL ATTACHMENTS SOLD SEPERATELY		
		THE PRESENCE OF AN ABBREVIATION INDICATES THE PRESENCE OF THAT COMPONENT.							CAVITY WITH A NUMBER INDICATES BLOCKED TERMINAL POSITION CAVITY WITHOUT A NUMBER INDICATES OPEN TERMINAL POSITION														BACKSHELL WITH RIBS	BACKSHELL WITHOUT RIBS	
		HOUSING KEY/COLOR	GROMMET CAP	PLR	CPA	MAT SEAL	RING SEAL	1	2	3	4	5	6	7	8	9	10	11	12						
KEY A, BLACK, W/CPA	33472-1255	A-BLK	GC	PLR	CPA	M	R										11	12	SALEABLE		34951-1210	34951-1220			
KEY A, BLACK, W/CPA	33472-1256	A-BLK	GC	PLR	CPA	M	R										9	10	11	12	SALEABLE		34951-1210	34951-1220	
KEY A, BLACK, W/O CPA	33472-1257	A-BLK	GC	PLR		M	R								8		10		12	SALEABLE		34951-1210	34951-1220		
KEY A, BLACK, W/O CPA	33472-1258	A-BLK	GC	PLR		M	R	1	2	3	4	5	6	7	8	9	10	11	12	SALEABLE		34951-1210	34951-1220		
KEY C, DARK GRAY, W/CPA	33472-1259	C-DG	GC	PLR	CPA	M	R													SALEABLE		34951-1210	34951-1220		
KEY D, STONE GRAY, W/CPA	33472-1260	D-SG	GC	PLR	CPA	M	R													SALEABLE		34951-1210	34951-1220		
KEY A, BLACK, W/O CPA	33472-1261	A-BLK	GC	PLR		M	R										9	10		12	SALEABLE		34951-1210	34951-1220	
KEY A, BLACK, W/CPA	33472-1262	A-BLK	GC	PLR	CPA	M	R							8	9	10		11	12	SALEABLE		34951-1210	34951-1220		
KEY B, LIGHT GRAY, W/CPA	33472-1263	B-LG	GC	PLR	CPA	M	R													12	SALEABLE		34951-1210	34951-1220	
KEY C, DARK GRAY, W/CPA	33472-1264	C-DG	GC	PLR	CPA	M	R											11	12	SALEABLE		34951-1210	34951-1220		
KEY D, STONE GRAY, W/CPA	33472-1265	D-SG	GC	PLR	CPA	M	R													12	SALEABLE		34951-1210	34951-1220	
KEY A, BLACK, W/CPA	33472-1266	A-BLK	GC	PLR	CPA	M	R												11	12	SALEABLE		34951-1210	34951-1220	
KEY D, STONE GRAY, W/CPA	33472-1267	D-SG	GC	PLR	CPA	M	R	1						6	7						SALEABLE		34951-1210	34951-1220	
KEY A, BLACK, W/CPA	33472-1268	A-BLK	GC	PLR	CPA	M	R	1													SALEABLE		34951-1210	34951-1220	
KEY A, BLACK, W/CPA	33472-1269	A-BLK	GC	PLR	CPA	M	R	1	2		4			6	7	8		10	11	12	SALEABLE		34951-1210	34951-1220	
KEY A, BLACK, W/CPA	33472-1270	A-BLK	GC	PLR	CPA	M	R														SALEABLE		34951-1210	34951-1220	
KEY A, BLACK, W/CPA	33472-1271	A-BLK	GC	PLR	CPA	M	R				4			6			10	11	12	SALEABLE		34951-1210	34951-1220		
KEY A, BLACK, W/CPA	33472-1272	A-BLK	GC	PLR	CPA	M	R							6			9	10	11	12	SALEABLE		34951-1210	34951-1220	
KEY A, BLACK, W/O CPA	33472-1273	A-BLK	GC	PLR		M	R							6			9	10	11	12	SALEABLE		34951-1210	34951-1220	
KEY A, BLACK, W/CPA	33472-1274	A-BLK	GC	PLR	CPA	M	R							6					11	12	SALEABLE		34951-1210	34951-1220	
KEY A, BLACK, W/O CPA	33472-1275	A-BLK	GC	PLR		M	R	1	2	3	4	5	6		8						SALEABLE		34951-1210	34951-1220	
KEY A, BLACK, W/O CPA	33472-1276	A-BLK	GC	PLR		M	R	1						6							SALEABLE		34951-1210	34951-1220	
KEY A, BLACK, W/O CPA	33472-1277	A-BLK	GC	PLR		M	R	1												12	SALEABLE		34951-1210	34951-1220	
KEY B, LIGHT GRAY, W/CPA	33472-1278	B-LG	GC	PLR	CPA	M	R										10	11			SALEABLE		34951-1210	34951-1220	
KEY A, BLACK, W/O CPA	33472-1279	A-BLK	GC	PLR		M	R													11	SALEABLE		34951-1210	34951-1220	
KEY A, BLACK, W/O CPA	33472-1280	A-BLK	GC	PLR		M	R		2												SALEABLE		34951-1210	34951-1220	
KEY A, BLACK, W/O CPA	33472-1281	A-BLK	GC	PLR		M	R	1			4										12	SALEABLE		34951-1210	34951-1220
KEY A, BLACK, W/CPA	33472-1282	A-BLK	GC	PLR	CPA	M	R	1	2					6	7	8					SALEABLE		34951-1210	34951-1220	
KEY A, BLACK, W/CPA	33472-1283	A-BLK	GC	PLR	CPA	M	R	1													12	SALEABLE		34951-1210	34951-1220
KEY A, BLACK, W/CPA	33472-1284	A-BLK	GC	PLR	CPA	M	R	1	2	3	4	5	6		8						SALEABLE		34951-1210	34951-1220	
KEY A, BLACK, W/CPA	33472-1285	A-BLK	GC	PLR	CPA	M	R	1						6							SALEABLE		34951-1210	34951-1220	
KEY C, DARK GRAY, W/CPA	33472-1286	C-DG	GC	PLR	CPA	M	R	1						6	7						SALEABLE		34951-1210	34951-1220	
KEY A, BLACK, W/CPA	33472-1287	A-BLK	GC	PLR	CPA	M	R										10	11		12	SALEABLE		34951-1210	34951-1220	
KEY C, DARK GRAY, W/CPA	33472-1288	C-DG	GC	PLR	CPA	M	R														12	SALEABLE		34951-1210	34951-1220
KEY C, DARK GRAY, W/CPA	33472-1289	C-DG	GC	PLR	CPA	M	R											9	10	11	12	SALEABLE		34951-1210	34951-1220
KEY A, BLACK, W/CPA	33472-1290	A-BLK	GC	PLR	CPA	M	R														SALEABLE		34951-1210	34951-1220	
KEY A, BLACK, W/CPA	33472-1291	A-BLK	GC	PLR	CPA	M	R	1					5	6	7	8					12	SALEABLE		34951-1210	34951-1220
KEY A, YELLOW, W/CPA	33472-1292	A-YW	GC	PLR	CPA	M	R														SALEABLE		34951-1210	34951-1220	
KEY A, BLACK, W/CPA	33472-1293	A-BLK	GC	PLR	CPA	M	R	1													SALEABLE		34951-1210	34951-1220	
KEY A, BLACK, W/CPA	33472-1294	A-BLK	GC	PLR	CPA	M	R				4										SALEABLE		34951-1210	34951-1220	
KEY D, STONE GRAY, W/CPA	33472-1295	D-SG	GC	PLR	CPA	M	R														SALEABLE		34951-1210	34951-1220	
KEY A, BLACK, W/CPA	33472-1296	A-BLK	GC	PLR	CPA	M	R														SALEABLE		34951-1210	34951-1220	
KEY A, BLACK, W/CPA	33472-1297	A-BLK	GC	PLR	CPA	M	R	1	2	3	4	5	6		8	9	10	11	12	SALEABLE		34951-1210	34951-1220		
KEY A, BLACK, WITH CLIPSLOT, W/O CPA	33472-1301	A-BLK-CLIP	GC	PLR		M	R														SALEABLE		N/A	N/A	
KEY B, LIGHT GRAY, WITH CLIPSLOT, W/O CPA	33472-1302	B-LG-CLIP	GC	PLR		M	R														SALEABLE		N/A	N/A	
KEY C, BROWN, WITH CLIPSLOT, W/O CPA	33472-1303	C-BR-CLIP	GC	PLR		M	R														NOT RECOMMENDED	SEE P/N 33472-1407	N/A	N/A	
KEY D, GREEN, WITH CLIPSLOT, W/O CPA	33472-1304	D-GR-CLIP	GC	PLR		M	R														NOT RECOMMENDED	SEE P/N 33472-1408	N/A	N/A	
VOID KEY	33472-1305																								
KEY A, BLACK, WITH CLIPSLOT, W/CPA	33472-1306	A-BLK-CLIP	GC	PLR	CPA	M	R														SALEABLE		N/A	N/A	
KEY B, LIGHT GRAY, WITH CLIPSLOT, W/CPA	33472-1307	B-LG-CLIP	GC	PLR	CPA	M	R														SALEABLE		N/A	N/A	
KEY C, BROWN, WITH CLIPSLOT, W/CPA	33472-1308	C-BR-CLIP	GC	PLR	CPA	M	R														NOT RECOMMENDED	SEE P/N 33472-1409	N/A	N/A	
KEY D, GREEN, WITH CLIPSLOT, W/CPA	33472-1309	D-GR-CLIP	GC	PLR	CPA	M	R														NOT RECOMMENDED	SEE P/N 33472-1410	N/A	N/A	
VOID KEY	33472-1310																								
KEY A, BLACK, WITH CLIPSLOT, W/O CPA	33472-1311	A-BLK-CLIP	GC	PLR		M	R	1	2	3	4	5	6	7	8	9	10	11	12	SALEABLE		N/A	N/A		
KEY B, LIGHT GRAY, WITH CLIPSLOT, W/O CPA	33472-1312	B-LG-CLIP	GC	PLR		M	R	1	2	3	4	5	6	7	8	9	10	11	12	SALEABLE		N/A	N/A		
KEY C, BROWN, WITH CLIPSLOT, W/O CPA	33472-1313	C-BR-CLIP	GC	PLR		M	R	1	2	3	4	5	6	7	8	9	10	11	12	NOT RECOMMENDED	SEE P/N 33472-1411	N/A	N/A		
KEY D, GREEN, WITH CLIPSLOT, W/O CPA	33472-1314	D-GR-CLIP	GC	PLR		M	R	1	2	3	4	5	6	7	8	9	10	11	12	NOT RECOMMENDED	SEE P/N 33472-1412	N/A	N/A		
VOID KEY	33472-1315																								
KEY A, BLACK, WITH CLIPSLOT, W/CPA	33472-1316	A-BLK-CLIP	GC	PLR	CPA	M	R	1	2	3	4	5	6	7	8	9	10	11	12	SALEABLE		N/A	N/A		
KEY B, LIGHT GRAY, WITH CLIPSLOT, W/CPA	33472-1317	B-LG-CLIP	GC	PLR	CPA	M	R	1	2	3	4	5	6	7	8	9	10	11	12	SALEABLE		N/A	N/A		
KEY C, BROWN, WITH CLIPSLOT, W/CPA	33472-1318	C-BR-CLIP	GC	PLR	CPA	M	R	1	2	3	4	5	6	7	8	9	10	11	12	NOT RECOMMENDED	SEE P/N 33472-1413	N/A	N/A		
KEY D, GREEN, WITH CLIPSLOT, W/CPA	33472-1319	D-GR-CLIP	GC	PLR	CPA	M	R	1	2	3	4	5	6	7	8	9	10	11	12	NOT RECOMMENDED	SEE P/N 33472-1414	N/A	N/A		
VOID KEY	33472-1320																								
KEY A, BLACK, WITH CLIPSLOT, W/O CPA	33472-1321	A-BLK-CLIP	GC	PLR		M	R														SALEABLE		N/A	N/A	
KEY A, BLACK, WITH CLIPSLOT, W/O CPA	33472-1322	A-BLK-CLIP	GC	PLR		M	R														SALEABLE		N/A	N/A	
KEY A, BLACK, WITH CLIPSLOT, W/O CPA	33472-1323	A-BLK-CLIP	GC	PLR		M	R														SALEABLE		N/A	N/A	
KEY A, BLACK, WITH CLIPSLOT, W/O CPA	33472-1324	A-BLK-CLIP	GC	PLR		M	R														SALEABLE		N/A	N/A	
KEY A, BLACK, WITH CLIPSLOT, W/O CPA	33472-1325	A-BLK-CLIP	GC	PLR		M	R	1						5	6	7	8				SALEABLE		N/A	N/A	
KEY B, LIGHT GRAY, WITH CLIPSLOT, W/O CPA	33472-1326	B-LG-CLIP	GC	PLR		M	R	1						5	6	7	8	9	10		SALEABLE		N/A	N/A	
KEY A, BLACK, WITH CLIPSLOT, W/O CPA	33472-1327	A-BLK-CLIP	GC	PLR		M	R														SALEABLE		N/A	N/A	
KEY B, LIGHT GRAY, WITH CLIPSLOT, W/O CPA	33472-1328	B-LG-CLIP	GC	PLR		M	R											9	10		SALEABLE		N/A	N/A	
KEY A, BLACK, WITH CLIPSLOT, W/O CPA	3347																								



**MX150 RECEPTACLE 2X6 SEALED ASSEMBLY MAT SEAL
BOM AND PIN OUT SHEET**

ASSEMBLY DESCRIPTION	ASSEMBLY PART NUMBER	COMPONENT						BLOCKED TERMINALS												STATUS	COMMENTS	OPTIONAL ATTACHMENTS SOLD SEPARATELY						
		THE PRESENCE OF AN ABBREVIATION INDICATES THE PRESENCE OF THAT COMPONENT.						CAVITY WITH A NUMBER INDICATES BLOCKED TERMINAL POSITION CAVITY WITHOUT A NUMBER INDICATES OPEN TERMINAL POSITION														BACKSHELL WITH RIBS	BACKSHELL WITHOUT RIBS					
		HOUSING KEY/COLOR	GROMMET CAP	PLR	CPA	MAT SEAL	RING SEAL	1	2	3	4	5	6	7	8	9	10	11	12									
KEY A, BLACK, WITH CLIPSLOT, W/O CPA	33472-1339	A-BLK-CLIP	GC	PLR		M	R					4	5	6	7	8	9							SALEABLE		N/A	N/A	
KEY A, BLACK, WITH CLIPSLOT, W/O CPA	33472-1340	A-BLK-CLIP	GC	PLR		M	R							6	7	8								SALEABLE		N/A	N/A	
KEY A, BLACK, WITH CLIPSLOT, W/O CPA	33472-1341	A-BLK-CLIP	GC	PLR		M	R		2			4	5			8				10	11			SALEABLE		N/A	N/A	
KEY A, BLACK, WITH CLIPSLOT, W/O CPA	33472-1342	A-BLK-CLIP	GC	PLR		M	R					4					9	10						SALEABLE		N/A	N/A	
KEY A, BLACK, WITH CLIPSLOT, W/O CPA	33472-1343	A-BLK-CLIP	GC	PLR		M	R	1						6	7									SALEABLE		N/A	N/A	
KEY A, BLACK, WITH CLIPSLOT, W/O CPA	33472-1344	A-BLK-CLIP	GC	PLR		M	R														11			SALEABLE		N/A	N/A	
KEY A, BLACK, WITH CLIPSLOT, W/O CPA	33472-1345	A-BLK-CLIP	GC	PLR		M	R								7									SALEABLE		N/A	N/A	
KEY A, BLACK, WITH CLIPSLOT, W/O CPA	33472-1346	A-BLK-CLIP	GC	PLR		M	R		2	3	4	5							10	11	12			SALEABLE		N/A	N/A	
KEY A, BLACK, WITH CLIPSLOT, W/O CPA	33472-1347	A-BLK-CLIP	GC	PLR		M	R	1						6	7		9							SALEABLE		N/A	N/A	
KEY A, BLACK, WITH CLIPSLOT, W/O CPA	33472-1348	A-BLK-CLIP	GC	PLR		M	R		2	3	4	5	6	7	8			10	11	12				SALEABLE		N/A	N/A	
KEY A, BLACK, WITH CLIPSLOT, W/CPA	33472-1349	A-BLK-CLIP	GC	PLR	CPA	M	R			3		5								11				SALEABLE		N/A	N/A	
KEY A, BLACK, WITH CLIPSLOT, W/O CPA	33472-1350	A-BLK-CLIP	GC	PLR		M	R		2	3										11				SALEABLE		N/A	N/A	
KEY A, BLACK, WITH CLIPSLOT, W/O CPA	33472-1351	A-BLK-CLIP	GC	PLR		M	R	1	2	3	4	5					9	10	11	12				SALEABLE		N/A	N/A	
KEY A, BLACK, WITH CLIPSLOT, W/O CPA	33472-1352	A-BLK-CLIP	GC	PLR		M	R													11	12			SALEABLE		N/A	N/A	
KEY A, BLACK, WITH CLIPSLOT, W/O CPA	33472-1353	A-BLK-CLIP	GC	PLR		M	R		2	3							9	10	11					SALEABLE		N/A	N/A	
KEY A, BLACK, WITH CLIPSLOT, W/O CPA	33472-1354	A-BLK-CLIP	GC	PLR		M	R	1	2	3	4	5				8	9	10	11	12				SALEABLE		N/A	N/A	
KEY A, BLACK, WITH CLIPSLOT, W/O CPA	33472-1355	A-BLK-CLIP	GC	PLR		M	R	1	2	3	4	5											12		SALEABLE		N/A	N/A
KEY A, BLACK, WITH CLIPSLOT, W/O CPA	33472-1356	A-BLK-CLIP	GC	PLR		M	R				3	4	5											SALEABLE		N/A	N/A	
KEY A, BLACK, WITH CLIPSLOT, W/O CPA	33472-1357	A-BLK-CLIP	GC	PLR		M	R			3	4	5	6	7	8	9	10	11						SALEABLE		N/A	N/A	
KEY A, BLACK, WITH CLIPSLOT, W/O CPA	33472-1358	A-BLK-CLIP	GC	PLR		M	R		2	3						8	9	10	11	12				SALEABLE		N/A	N/A	
KEY A, BLACK, WITH CLIPSLOT, W/CPA	33472-1359	A-BLK-CLIP	GC	PLR	CPA	M	R					5				8	9		11					SALEABLE		N/A	N/A	
KEY A, BLACK, WITH CLIPSLOT, W/O CPA	33472-1360	A-BLK-CLIP	GC	PLR		M	R		2	3														SALEABLE		N/A	N/A	
KEY A, BLACK, WITH CLIPSLOT, W/O CPA	33472-1361	A-BLK-CLIP	GC	PLR		M	R	1	2	3										11	12			SALEABLE		N/A	N/A	
KEY A, BLACK, WITH CLIPSLOT, W/O CPA	33472-1362	A-BLK-CLIP	GC	PLR		M	R	1	2	3	4			6		8				10	11	12		SALEABLE		N/A	N/A	
KEY A, BLACK, WITH CLIPSLOT, W/O CPA	33472-1363	A-BLK-CLIP	GC	PLR		M	R		2		4			6		8				10	11	12		SALEABLE		N/A	N/A	
KEY A, BLACK, WITH CLIPSLOT, W/O CPA	33472-1364	A-BLK-CLIP	GC	PLR		M	R													11	12			SALEABLE		N/A	N/A	
KEY A, BLACK, WITH CLIPSLOT, W/O CPA	33472-1365	A-BLK-CLIP	GC	PLR		M	R	1	2	3	4	5	6											SALEABLE		N/A	N/A	
KEY A, BLACK, WITH CLIPSLOT, W/O CPA	33472-1366	A-BLK-CLIP	GC	PLR		M	R							6										SALEABLE		N/A	N/A	
KEY A, BLACK, WITH CLIPSLOT, W/O CPA	33472-1367	A-BLK-CLIP	GC	PLR		M	R		2						7	8	9							SALEABLE		N/A	N/A	
KEY A, BLACK, WITH CLIPSLOT, W/O CPA	33472-1368	A-BLK-CLIP	GC	PLR		M	R			3	4	5	6	7										SALEABLE		N/A	N/A	
KEY A, BLACK, WITH CLIPSLOT, W/O CPA	33472-1369	A-BLK-CLIP	GC	PLR		M	R	1	2	3	4	5	6	7									12		SALEABLE		N/A	N/A
KEY A, BLACK, WITH CLIPSLOT, W/O CPA	33472-1370	A-BLK-CLIP	GC	PLR		M	R	1	2	3	4	5			7	8	9	10	11					SALEABLE		N/A	N/A	
KEY A, BLACK, WITH CLIPSLOT, W/O CPA	33472-1371	A-BLK-CLIP	GC	PLR		M	R				4			6										SALEABLE		N/A	N/A	
KEY A, BLACK, WITH CLIPSLOT, W/O CPA	33472-1372	A-BLK-CLIP	GC	PLR		M	R										8							SALEABLE		N/A	N/A	
KEY A, BLACK, WITH CLIPSLOT, W/O CPA	33472-1373	A-BLK-CLIP	GC	PLR		M	R	1		3	4	5	6	7	8					10	11	12		SALEABLE		N/A	N/A	
KEY A, BLACK, WITH CLIPSLOT, W/O CPA	33472-1374	A-BLK-CLIP	GC	PLR		M	R							6			9	10	11	12				SALEABLE		N/A	N/A	
KEY A, BLACK, WITH CLIPSLOT, W/O CPA	33472-1375	A-BLK-CLIP	GC	PLR		M	R																12		SALEABLE		N/A	N/A
KEY A, BLACK, WITH CLIPSLOT, W/O CPA	33472-1376	A-BLK-CLIP	GC	PLR		M	R							6										SALEABLE		N/A	N/A	
KEY A, BLACK, WITH CLIPSLOT, W/O CPA	33472-1377	A-BLK-CLIP	GC	PLR		M	R	1	2				5	6	7	8				11	12			SALEABLE		N/A	N/A	
KEY A, BLACK, WITH CLIPSLOT, W/O CPA	33472-1378	A-BLK-CLIP	GC	PLR		M	R										9							SALEABLE		N/A	N/A	
KEY A, BLACK, WITH CLIPSLOT, W/O CPA	33472-1379	A-BLK-CLIP	GC	PLR		M	R				3	4					9	10	11	12				SALEABLE		N/A	N/A	
KEY A, BLACK, WITH CLIPSLOT, W/O CPA	33472-1380	A-BLK-CLIP	GC	PLR		M	R	1	2	3	4	5	6	7	8	9							12		SALEABLE		N/A	N/A
KEY A, BLACK, WITH CLIPSLOT, W/O CPA	33472-1381	A-BLK-CLIP	GC	PLR		M	R	1	2				5	6	7	8								SALEABLE		N/A	N/A	
KEY A, BLACK, WITH CLIPSLOT, W/O CPA	33472-1382	A-BLK-CLIP	GC	PLR		M	R				4									10				SALEABLE		N/A	N/A	
KEY A, BLACK, WITH CLIPSLOT, W/O CPA	33472-1383	A-BLK-CLIP	GC	PLR		M	R	1	2	3	4	5	6				9	10	11	12				SALEABLE		N/A	N/A	
KEY A, BLACK, WITH CLIPSLOT, W/O CPA	33472-1384	A-BLK-CLIP	GC	PLR		M	R	1			4									11				SALEABLE		N/A	N/A	
KEY A, BLACK, WITH CLIPSLOT, W/O CPA	33472-1385	A-BLK-CLIP	GC	PLR		M	R																	SALEABLE		N/A	N/A	
KEY A, BLACK, WITH CLIPSLOT, W/O CPA	33472-1386	A-BLK-CLIP	GC	PLR		M	R	1	2	3	4	5	6	7	8								12		SALEABLE		N/A	N/A
KEY A, BLACK, WITH CLIPSLOT, W/O CPA	33472-1387	A-BLK-CLIP	GC	PLR		M	R	1	2					6	7	8								SALEABLE		N/A	N/A	
KEY A, BLACK, WITH CLIPSLOT, W/O CPA	33472-1388	A-BLK-CLIP	GC	PLR		M	R	1	2							7	8							SALEABLE		N/A	N/A	
KEY A, BLACK, WITH CLIPSLOT, W/O CPA	33472-1389	A-BLK-CLIP	GC	PLR		M	R	1						6	7	8							12		SALEABLE		N/A	N/A
KEY A, BLACK, WITH CLIPSLOT, W/O CPA	33472-1390	A-BLK-CLIP	GC	PLR		M	R									7	8							SALEABLE		N/A	N/A	
KEY A, BLACK, WITH CLIPSLOT, W/O CPA	33472-1391	A-BLK-CLIP	GC	PLR		M	R		2		4				7	8	9	10						SALEABLE		N/A	N/A	
KEY A, BLACK, WITH CLIPSLOT, W/O CPA	33472-1392	A-BLK-CLIP	GC	PLR		M	R				3		5	6	7	8	9	10	11	12				SALEABLE		N/A	N/A	
KEY A, BLACK, WITH CLIPSLOT, W/O CPA	33472-1393	A-BLK-CLIP	GC	PLR		M	R				3					7		9	10	11	12			SALEABLE		N/A	N/A	
KEY A, BLACK, WITH CLIPSLOT, W/O CPA	33472-1394	A-BLK-CLIP	GC	PLR		M	R																	SALEABLE		N/A	N/A	
KEY A, BLACK, WITH CLIPSLOT, W/O CPA	33472-1395	A-BLK-CLIP	GC	PLR		M	R	1	2	3	4			6	7	8	9	10						SALEABLE		N/A	N/A	
KEY A, BLACK, WITH CLIPSLOT, W/O CPA	33472-1396	A-BLK-CLIP	GC	PLR		M	R	1	2	3	4				7	8	9	10						SALEABLE		N/A	N/A	
KEY A, BLACK, WITH CLIPSLOT, W/O CPA	33472-1397	A-BLK-CLIP	GC	PLR		M	R							6		8	9	10	11	12				SALEABLE		N/A	N/A	
KEY B, LIGHT GRAY, WITH CLIPSLOT, W/O CPA	33472-1398	B-LG-CLIP	GC	PLR		M	R													10	11	12		SALEABLE		N/A	N/A	
KEY B, LIGHT GRAY, WITH CLIPSLOT, W/O CPA	33472-1399	B-LG-CLIP	GC	PLR		M	R																	SALEABLE		N/A	N/A	
KEY B, LIGHT GRAY, WITH CLIPSLOT, W/O CPA	33472-1400	B-LG-CLIP	GC	PLR		M	R	1	2	3	4	5	6	7										SALEABLE		N/A	N/A	
KEY B, LIGHT GRAY, WITH CLIPSLOT, W/O CPA	33472-1401	B-LG-CLIP	GC	PLR		M	R	1	2	3	4	5	6											SALEABLE		N/A	N/A	
KEY B, LIGHT GRAY, WITH CLIPSLOT, W/O CPA	33472-1402	B-LG-CLIP	GC	PLR		M	R																	SALEABLE		N/A	N/A	
KEY B, LIGHT GRAY, WITH CLIPSLOT, W/O CPA	33472-1403	B-LG-CLIP	GC	PLR		M	R							5	6									SALEABLE		N/A	N/A	
KEY B, LIGHT GRAY, WITH CLIPSLOT, W/O CPA	33472-1404	B-LG-CLIP	GC	PLR		M	R							5	6									SALEABLE		N/A	N/A	
KEY A, BLACK, WITH CLIPSLOT, W/O CPA	33472-1405	A-BLK-CLIP	GC	PLR		M	R									8	9	10	11	12				SALEABLE		N/A	N/A	
KEY A, BLACK, WITH CLIPSLOT, W/O CPA	33472-1406	A-BLK-CLIP	GC	PLR		M	R									8	9			11				SALEABLE		N/A	N/A	
KEY C, DARK GRAY, WITH CLIPSLOT																												

MX150 RECEPTACLE 2X6 SEALED ASSEMBLY MAT SEAL
BOM AND PIN OUT SHEET

ASSEMBLY DESCRIPTION	ASSEMBLY PART NUMBER	COMPONENT						BLOCKED TERMINALS												STATUS	COMMENTS	OPTIONAL ATTACHMENTS SOLD SEPERATELY			
		THE PRESENCE OF AN ABBREVIATION INDICATES THE PRESENCE OF THAT COMPONENT.						CAVITY WITH A NUMBER INDICATES BLOCKED TERMINAL POSITION CAVITY WITHOUT A NUMBER INDICATES OPEN TERMINAL POSITION														BACKSHELL WITH RIBS	BACKSHELL WITHOUT RIBS		
		HOUSING KEY/COLOR	GROMMET CAP	PLR	CPA	MAT SEAL	RING SEAL	1	2	3	4	5	6	7	8	9	10	11	12						
KEY A, BLACK, WITH CLIPSLOT, W/O CPA	33472-1420	A-BLK-CLIP	GC	PLR		M	R			3	4	5	6	7	8	9	10	11	12	SALEABLE		N/A	N/A		
KEY A, BLACK, WITH CLIPSLOT, W/O CPA	33472-1421	A-BLK-CLIP	GC	PLR		M	R													SALEABLE		N/A	N/A		
KEY A, BLACK, WITH CLIPSLOT, W/O CPA	33472-1422	A-BLK-CLIP	GC	PLR		M	R			3	4	5	6	7	8					SALEABLE		N/A	N/A		
KEY A, BLACK, WITH CLIPSLOT, W/O CPA	33472-1423	A-BLK-CLIP	GC	PLR		M	R			3	4	5	6	7	8	9				SALEABLE		N/A	N/A		
KEY A, BLACK, WITH CLIPSLOT, W/O CPA	33472-1424	A-BLK-CLIP	GC	PLR		M	R			3	4	5	6	7	8		10	11	12	SALEABLE		N/A	N/A		
KEY A, BLACK, WITH CLIPSLOT, W/O CPA	33472-1425	A-BLK-CLIP	GC	PLR		M	R				4						10			SALEABLE		N/A	N/A		
KEY A, BLACK, WITH CLIPSLOT, W/O CPA	33472-1426	A-BLK-CLIP	GC	PLR		M	R			1					8		10	11		SALEABLE		N/A	N/A		
KEY C, BROWN, WITH CLIPSLOT, W/O CPA	33472-1427	C-BR-CLIP	GC	PLR		M	R			1	2		5	6						NOT RECOMMENDED	SEE P/N 33472-1433	N/A	N/A		
KEY C, BROWN, WITH CLIPSLOT, W/O CPA	33472-1428	C-BR-CLIP	GC	PLR		M	R				3	4								NOT RECOMMENDED	SEE P/N 33472-1434	N/A	N/A		
KEY C, BROWN, WITH CLIPSLOT, W/O CPA	33472-1429	C-BR-CLIP	GC	PLR		M	R			1	2	3	4							NOT RECOMMENDED	SEE P/N 33472-1435	N/A	N/A		
KEY C, BROWN, WITH CLIPSLOT, W/O CPA	33472-1430	C-BR-CLIP	GC	PLR		M	R			1	2	3	4	5	6					NOT RECOMMENDED	SEE P/N 33472-1436	N/A	N/A		
KEY A, BLACK, WITH CLIPSLOT, W/CPA	33472-1431	A-BLK-CLIP	GC	PLR	CPA	M	R							7	8					SALEABLE		N/A	N/A		
KEY A, BLACK, WITH CLIPSLOT, W/O CPA	33472-1432	A-BLK-CLIP	GC	PLR		M	R				3	4	5	6		9	10	11		SALEABLE		N/A	N/A		
KEY C, DARK GRAY, WITH CLIPSLOT, W/O CPA	33472-1433	C-DG-CLIP	GC	PLR		M	R			1	2			5	6					SALEABLE		N/A	N/A		
KEY C, DARK GRAY, WITH CLIPSLOT, W/O CPA	33472-1434	C-DG-CLIP	GC	PLR		M	R				3	4								SALEABLE		N/A	N/A		
KEY C, DARK GRAY, WITH CLIPSLOT, W/O CPA	33472-1435	C-DG-CLIP	GC	PLR		M	R			1	2	3	4							SALEABLE		N/A	N/A		
KEY C, DARK GRAY, WITH CLIPSLOT, W/O CPA	33472-1436	C-DG-CLIP	GC	PLR		M	R			1	2	3	4	5	6					SALEABLE		N/A	N/A		
KEY A, BLACK, WITH CLIPSLOT, W/O CPA	33472-1437	A-BLK-CLIP	GC	PLR		M	R								8	9	10		12	SALEABLE		N/A	N/A		
KEY A, BLACK, WITH CLIPSLOT, W/O CPA	33472-1438	A-BLK-CLIP	GC	PLR		M	R			1	2		4		7	8		10	12	SALEABLE		N/A	N/A		
KEY A, BLACK, WITH CLIPSLOT, W/O CPA	33472-1439	A-BLK-CLIP	GC	PLR		M	R				2	3		5				11		SALEABLE		N/A	N/A		
KEY A, BLACK, WITH CLIPSLOT, W/O CPA	33472-1440	A-BLK-CLIP	GC	PLR		M	R			1	2	3				9		11		SALEABLE		N/A	N/A		
KEY A, BLACK, WITH CLIPSLOT, W/O CPA	33472-1441	A-BLK-CLIP	GC	PLR		M	R			1	2	3		5						SALEABLE		N/A	N/A		
KEY A, BLACK, WITH CLIPSLOT, W/O CPA	33472-1442	A-BLK-CLIP	GC	PLR		M	R			1	2	3	4	5		7	8			SALEABLE		N/A	N/A		
KEY A, BLACK, WITH CLIPSLOT, W/O CPA	33472-1443	A-BLK-CLIP	GC	PLR		M	R						5		8					SALEABLE		N/A	N/A		
KEY A, BLACK, WITH CLIPSLOT, W/O CPA	33472-1444	A-BLK-CLIP	GC	PLR		M	R				2			5		9				SALEABLE		N/A	N/A		
KEY A, BLACK, WITH CLIPSLOT, W/O CPA	33472-1445	A-BLK-CLIP	GC	PLR		M	R				2			5		7			12	SALEABLE		N/A	N/A		
KEY A, BLACK, WITH CLIPSLOT, W/O CPA	33472-1446	A-BLK-CLIP	GC	PLR		M	R				2					9				SALEABLE		N/A	N/A		
KEY A, BLACK, WITH CLIPSLOT, W/O CPA	33472-1447	A-BLK-CLIP	GC	PLR		M	R			1	2	3	4		6			11	12	SALEABLE		N/A	N/A		
KEY B, LIGHT GRAY, WITH CLIPSLOT, W/O CPA	33472-1448	B-LG-CLIP	GC	PLR		M	R			1	2	3	4	5			8	9	10	11	12	SALEABLE		N/A	N/A
KEY B, LIGHT GRAY, WITH CLIPSLOT, W/O CPA	33472-1449	B-LG-CLIP	GC	PLR		M	R							5		8				SALEABLE		N/A	N/A		
KEY B, LIGHT GRAY, WITH CLIPSLOT, W/O CPA	33472-1450	B-LG-CLIP	GC	PLR		M	R							5		8	9	10	11	12	SALEABLE		N/A	N/A	
KEY B, LIGHT GRAY, WITH CLIPSLOT, W/O CPA	33472-1451	B-LG-CLIP	GC	PLR		M	R							5		8			11	12	SALEABLE		N/A	N/A	
KEY A, BLACK, WITH CLIPSLOT, W/CPA	33472-1452	A-BLK-CLIP	GC	PLR	CPA	M	R											11	12	SALEABLE		N/A	N/A		
KEY A, BLACK, WITH CLIPSLOT, W/O CPA	33472-1453	A-BLK-CLIP	GC	PLR		M	R				2				8					SALEABLE		N/A	N/A		
KEY A, BLACK, WITH CLIPSLOT, W/O CPA	33472-1454	A-BLK-CLIP	GC	PLR		M	R				2			4		8			10	SALEABLE		N/A	N/A		
KEY A, BLACK, WITH CLIPSLOT, W/O CPA	33472-1455	A-BLK-CLIP	GC	PLR		M	R			1	2	3	4	5	6		8	9	10	11	12	SALEABLE		N/A	N/A
KEY A, BLACK, WITH CLIPSLOT, W/O CPA	33472-1456	A-BLK-CLIP	GC	PLR		M	R													SALEABLE		N/A	N/A		
KEY A, BLACK, WITH CLIPSLOT, W/O CPA	33472-1457	A-BLK-CLIP	GC	PLR		M	R			1	2	3	4	5	6		8	9	10	11	12	SALEABLE		N/A	N/A
KEY A, BLACK, WITH CLIPSLOT, W/O CPA	33472-1458	A-BLK-CLIP	GC	PLR		M	R					3		5	6		8	9	10	11	12	SALEABLE		N/A	N/A
KEY A, BLACK, WITH CLIPSLOT, W/O CPA	33472-1459	A-BLK-CLIP	GC	PLR		M	R					4	5	6	7	8	9	10	11	12	SALEABLE		N/A	N/A	
KEY A, BLACK, WITH CLIPSLOT, W/O CPA	33472-1460	A-BLK-CLIP	GC	PLR		M	R					4	5	6	7	8	9	10	11	12	SALEABLE		N/A	N/A	
KEY A, BLACK, WITH CLIPSLOT, W/O CPA	33472-1461	A-BLK-CLIP	GC	PLR		M	R			1	2	3	4	5	6		8	9	10	11	12	SALEABLE		N/A	N/A
KEY A, BLACK, W/O CPA	33472-1462	A-BLK	GC	PLR		M	R					4				9	10	11	12	SALEABLE		34951-1210	34951-1220		
KEY A, BLACK, W/O CPA	33472-1463	A-BLK	GC	PLR		M	R													SALEABLE		34951-1210	34951-1220		
KEY A, BLACK, W/O CPA	33472-1464	A-BLK	GC	PLR		M	R			1	2	3	4	5	6	7	8	9	10		SALEABLE		34951-1210	34951-1220	
KEY A, BLACK, W/CPA	33472-1465	A-BLK	GC	PLR	CPA	M	R						5			9			11	12	SALEABLE		34951-1210	34951-1220	
KEY A, BLACK, W/CPA	33472-1466	A-BLK	GC	PLR	CPA	M	R			1	2	3								SALEABLE		34951-1210	34951-1220		
KEY A, BLACK, W/CPA	33472-1467	A-BLK	GC	PLR	CPA	M	R			1	2				6	7			11	12	SALEABLE		34951-1210	34951-1220	
KEY A, BLACK, W/CPA	33472-1468	A-BLK	GC	PLR	CPA	M	R								6	7	8	9	10	11	12	SALEABLE		34951-1210	34951-1220
KEY A, BLACK, WITH CLIPSLOT, W/O CPA	33472-1469	A-BLK-CLIP	GC	PLR		M	R						5	6	7	8	9	10		SALEABLE		N/A	N/A		
KEY A, BLACK, WITH CLIPSLOT, W/O CPA	33472-1470	A-BLK-CLIP	GC	PLR		M	R			1	2		4	5	6	7				SALEABLE		N/A	N/A		
KEY B, LIGHT GRAY, W/CPA	33472-1471	B-LG	GC	PLR	CPA	M	R						5							SALEABLE		34951-1210	34951-1220		
KEY A, BLACK, WITH CLIPSLOT, W/O CPA	33472-1472	A-BLK-CLIP	GC	PLR		M	R								7	8			11	SALEABLE		N/A	N/A		
KEY A, BLACK, WITH CLIPSLOT, W/O CPA	33472-1473	A-BLK-CLIP	GC	PLR		M	R			1	2	3	4	5	6	7	8	9	10	11	SALEABLE		N/A	N/A	
KEY A, BLACK, WITH CLIPSLOT, W/O CPA	33472-1474	A-BLK-CLIP	GC	PLR		M	R							5	6	7	8	9	10	11	12	SALEABLE		N/A	N/A
KEY A, BLACK, W/CPA	33472-1475	A-BLK	GC	PLR	CPA	M	R				2	3	4	5			9			SALEABLE		34951-1210	34951-1220		
KEY A, BLACK, W/CPA	33472-1476	A-BLK	GC	PLR	CPA	M	R				2	3	4			9		10	11	SALEABLE		34951-1210	34951-1220		
KEY A, BLACK, WITH CLIPSLOT, W/O CPA	33472-1477	A-BLK-CLIP	GC	PLR		M	R								5					SALEABLE		N/A	N/A		
KEY A, BLACK, WITH CLIPSLOT, W/O CPA	33472-1478	A-BLK-CLIP	GC	PLR		M	R					3	4			6				SALEABLE		N/A	N/A		
KEY A, BLACK, WITH CLIPSLOT, W/O CPA	33472-1479	A-BLK-CLIP	GC	PLR		M	R								6					SALEABLE		N/A	N/A		
KEY A, BLACK, WITH CLIPSLOT, W/O CPA	33472-1480	A-BLK-CLIP	GC	PLR		M	R			1	2		4	5	6	7	8	9	10	11	12	SALEABLE		N/A	N/A
KEY A, BLACK, WITH CLIPSLOT, W/O CPA	33472-1481	A-BLK-CLIP	GC	PLR		M	R							5		8	9			SALEABLE		N/A	N/A		
KEY A, BLACK, WITH CLIPSLOT, W/O CPA	33472-1482	A-BLK-CLIP	GC	PLR		M	R							5		7	8	9		SALEABLE		N/A	N/A		
KEY A, BLACK, W/CPA	33472-1483	A-BLK	GC	PLR	CPA	M	R					4								SALEABLE		34951-1210	34951-1220		
KEY A, BLACK, W/O CPA	33472-1484	A-BLK	GC	PLR		M	R									7	8	9	10	11	12	SALEABLE		34951-1210	34951-1220
KEY A, BLACK, W/O CPA	33472-1485	A-BLK	GC	PLR		M	R						4	5			9	10	11	12	SALEABLE		34951-1210	34951-1220	
KEY A, BLACK, W/CPA	33472-1486	A-BLK	GC	PLR	CPA	M	R			1		3			5		8			SALEABLE		34951-1210	34951-1220		
KEY A, BLACK, W/CPA	33472-1487	A-BLK	GC	PLR	CPA	M	R				2		4		6	7			11	12	SALEABLE		34951-1210	34951-1220	
KEY A, BLACK, WITH CLIPSLOT, W/O CPA	33472-1488	A-BLK-CLIP	GC	PLR		M	R								6	7	8	9	10	11	12	SALEABLE		N/A	N/A
KEY A, BLACK, WITH CLIPSLOT, W/O CPA	33472-1489	A-BLK-CLIP	GC	PLR		M	R					3				7	8	9		SALEABLE		N/A	N/A		
KEY A, BLACK, WITH CLIPSLOT, W/O CPA	33472-1490	A-BLK-CLIP	GC	PLR		M	R					3			6		9	10	11	12	SALEABLE		N/A	N/A	
KEY A, BLACK, WITH CLIPSLOT, W/O CPA	33472-1491	A-BLK-CLIP	GC	PLR		M	R								6	7	8		10	11	12	SALEABLE		N/A	N/A
KEY A, BLACK, WITH CLIPSLOT, W/O CPA	33472-1492	A-BLK-CLIP	GC	PLR</																					

MX150 RECEPTACLE 2X6 SEALED ASSEMBLY MAT SEAL
BOM AND PIN OUT SHEET

ASSEMBLY DESCRIPTION	ASSEMBLY PART NUMBER	COMPONENT						BLOCKED TERMINALS												STATUS	COMMENTS	OPTIONAL ATTACHMENTS SOLD SEPERATELY					
		THE PRESENCE OF AN ABBREVIATION INDICATES THE PRESENCE OF THAT COMPONENT.						CAVITY WITH A NUMBER INDICATES BLOCKED TERMINAL POSITION CAVITY WITHOUT A NUMBER INDICATES OPEN TERMINAL POSITION														BACKSHELL WITH RIBS	BACKSHELL WITHOUT RIBS				
		HOUSING KEY/COLOR	GROMMET CAP	PLR	CPA	MAT SEAL	RING SEAL	1	2	3	4	5	6	7	8	9	10	11	12								
KEY A, BLACK, WITH CLIPSLOT, W/O CPA	33472-1503	A-BLK-CLIP	GC	PLR		M	R					4	5			8		10			SALEABLE		N/A	N/A			
KEY A, BLACK, WITH CLIPSLOT, W/O CPA	33472-1504	A-BLK-CLIP	GC	PLR		M	R	1	2	3	4			6				10	11	12	SALEABLE		N/A	N/A			
KEY A, BLACK, WITH CLIPSLOT, W/O CPA	33472-1505	A-BLK-CLIP	GC	PLR		M	R			3	4								11	12	SALEABLE		N/A	N/A			
KEY B, LIGHT GRAY, WITH CLIPSLOT, W/O CPA	33472-1506	B-LG-CLIP	GC	PLR		M	R	1							7				11		SALEABLE		N/A	N/A			
KEY B, LIGHT GRAY, WITH CLIPSLOT, W/O CPA	33472-1507	B-LG-CLIP	GC	PLR		M	R							7						11	SALEABLE		N/A	N/A			
KEY A, BLACK, WITH CLIPSLOT, W/O CPA	33472-1508	A-BLK-CLIP	GC	PLR		M	R	1						6	7	8	9				SALEABLE		N/A	N/A			
KEY A, BLACK, WITH CLIPSLOT, W/O CPA	33472-1509	A-BLK-CLIP	GC	PLR		M	R				4			6		8					SALEABLE		N/A	N/A			
KEY A, BLACK, WITH CLIPSLOT, W/O CPA	33472-1510	A-BLK-CLIP	GC	PLR		M	R		2			4				8	9	10			SALEABLE		N/A	N/A			
KEY A, BLACK, WITH CLIPSLOT, W/O CPA	33472-1511	A-BLK-CLIP	GC	PLR		M	R									9	10				SALEABLE		N/A	N/A			
KEY A, BLACK, WITH CLIPSLOT, W/O CPA	33472-1512	A-BLK-CLIP	GC	PLR		M	R			2	3	4				8	9			11	SALEABLE		N/A	N/A			
KEY A, BLACK, WITH CLIPSLOT, W/O CPA	33472-1513	A-BLK-CLIP	GC	PLR		M	R							5				10	11		SALEABLE		N/A	N/A			
KEY A, BLACK, WITH CLIPSLOT, W/O CPA	33472-1514	A-BLK-CLIP	GC	PLR		M	R				4	5			7				11	12	SALEABLE		N/A	N/A			
KEY A, BLACK, WITH CLIPSLOT, W/O CPA	33472-1515	A-BLK-CLIP	GC	PLR		M	R	1	2	3	4				7	8	9	10	11		SALEABLE		N/A	N/A			
KEY A, BLACK, WITH CLIPSLOT, W/O CPA	33472-1516	A-BLK-CLIP	GC	PLR		M	R				4			6		8		10	11		SALEABLE		N/A	N/A			
KEY A, BLACK, WITH CLIPSLOT, W/O CPA	33472-1517	A-BLK-CLIP	GC	PLR		M	R	1	2	3	4	5	6		8	9					SALEABLE		N/A	N/A			
KEY A, BLACK, WITH CLIPSLOT, W/O CPA	33472-1518	A-BLK-CLIP	GC	PLR		M	R		2					6		8					SALEABLE		N/A	N/A			
KEY A, BLACK, WITH CLIPSLOT, W/O CPA	33472-1519	A-BLK-CLIP	GC	PLR		M	R	1			3	4							11	12	SALEABLE		N/A	N/A			
KEY A, BLACK, WITH CLIPSLOT, W/O CPA	33472-1520	A-BLK-CLIP	GC	PLR		M	R	1			3	4							11		SALEABLE		N/A	N/A			
KEY A, BLACK, WITH CLIPSLOT, W/O CPA	33472-1521	A-BLK-CLIP	GC	PLR		M	R			2					8	9	10		12		SALEABLE		N/A	N/A			
KEY A, BLACK, WITH CLIPSLOT, W/O CPA	33472-1522	A-BLK-CLIP	GC	PLR		M	R								7	8	9	10			SALEABLE		N/A	N/A			
KEY A, BLACK, WITH CLIPSLOT, W/O CPA	33472-1523	A-BLK-CLIP	GC	PLR		M	R								7	8	9	10		12	SALEABLE		N/A	N/A			
KEY A, BLACK, W/O CPA	33472-1524	A-BLK	GC	PLR		M	R		2	3			5	6	7		9	10	11	12	SALEABLE		34951-1210	34951-1220			
KEY A, BLACK, W/O CPA	33472-1525	A-BLK	GC	PLR		M	R	1	2	3	4					8	9				SALEABLE		34951-1210	34951-1220			
KEY A, BLACK, W/O CPA	33472-1526	A-BLK	GC	PLR		M	R			2	3						9				SALEABLE		34951-1210	34951-1220			
KEY A, BLACK, W/O CPA	33472-1527	A-BLK	GC	PLR		M	R								8			10	11		SALEABLE		34951-1210	34951-1220			
KEY A, BLACK, WITH CLIPSLOT, W/O CPA	33472-1528	A-BLK-CLIP	GC	PLR		M	R	1			3			5					11		SALEABLE		N/A	N/A			
KEY A, BLACK, W/O CPA	33472-1529	A-BLK	GC	PLR		M	R	1			3			5					10	11	SALEABLE		34951-1210	34951-1220			
KEY A, BLACK, WITH CLIPSLOT, W/O CPA	33472-1530	A-BLK-CLIP	GC	PLR		M	R		2						7	8					SALEABLE		N/A	N/A			
KEY A, BLACK, WITH CLIPSLOT, W/O CPA	33472-1531	A-BLK-CLIP	GC	PLR		M	R	1				4				7				11	SALEABLE		N/A	N/A			
KEY A, BLACK, WITH CLIPSLOT, W/O CPA	33472-1532	A-BLK-CLIP	GC	PLR		M	R			2	3			5	6		7			9	10	11	12	SALEABLE		N/A	N/A
KEY A, BLACK, WITH CLIPSLOT, W/O CPA	33472-1533	A-BLK-CLIP	GC	PLR		M	R	1	2	3	4					8	9				SALEABLE		N/A	N/A			
KEY A, BLACK, WITH CLIPSLOT, W/O CPA	33472-1534	A-BLK-CLIP	GC	PLR		M	R			2	3						9				SALEABLE		N/A	N/A			
KEY A, BLACK, WITH CLIPSLOT, W/O CPA	33472-1535	A-BLK-CLIP	GC	PLR		M	R									8		10	11		SALEABLE		N/A	N/A			
KEY A, BLACK, WITH CLIPSLOT, W/O CPA	33472-1536	A-BLK-CLIP	GC	PLR		M	R	1			3			5			8		10	11	SALEABLE		N/A	N/A			
KEY A, BLACK, W/O CPA	33472-1537	A-BLK	GC	PLR		M	R	1						6	7	8	9	10			SALEABLE		34951-1210	34951-1220			
KEY A, BLACK, WITH CLIPSLOT, W/O CPA	33472-1538	A-BLK-CLIP	GC	PLR		M	R								7		9	10			SALEABLE		N/A	N/A			
KEY B, LIGHT GRAY, W/O CPA	33472-1539	B-LG	GC	PLR		M	R								7	8	9			12	SALEABLE		34951-1210	34951-1220			
KEY A, BLACK, WITH CLIPSLOT, W/O CPA	33472-1540	A-BLK-CLIP	GC	PLR		M	R	1						6	7	8	9	10			SALEABLE		N/A	N/A			
KEY A, BLACK, WITH CLIPSLOT, W/O CPA	33472-1541	A-BLK-CLIP	GC	PLR		M	R	1				4			6	7	8	9	10	11	SALEABLE		N/A	N/A			
KEY A, BLACK, WITH CLIPSLOT, W/O CPA	33472-1542	A-BLK-CLIP	GC	PLR		M	R	1	2	3			5	6	7	8	9	10		12	SALEABLE		N/A	N/A			
KEY A, BLACK, WITH CLIPSLOT, W/O CPA	33472-1543	A-BLK-CLIP	GC	PLR		M	R			2			4		6	7	8	9	10	11	12	SALEABLE		N/A	N/A		
KEY A, BLACK, WITH CLIPSLOT, W/O CPA	33472-1544	A-BLK-CLIP	GC	PLR		M	R				3	4					9	10	11	12	SALEABLE		N/A	N/A			
KEY A, BLACK, WITH CLIPSLOT, W/O CPA	33472-1545	A-BLK-CLIP	GC	PLR		M	R				3	4							11	12	SALEABLE		N/A	N/A			
KEY A, BLACK, WITH CLIPSLOT, W/O CPA	33472-1546	A-BLK-CLIP	GC	PLR		M	R	1	2				5	6	7	8	9	10			SALEABLE		N/A	N/A			
KEY A, BLACK, WITH CLIPSLOT, W/O CPA	33472-1547	A-BLK-CLIP	GC	PLR		M	R										9	10			SALEABLE		N/A	N/A			
KEY A, BLACK, W/CPA	33472-1548	A-BLK	GC	PLR	CPA	M	R						5								SALEABLE		34951-1210	34951-1220			
KEY A, BLACK, W/CPA	33472-1549	A-BLK	GC	PLR	CPA	M	R							6						12	SALEABLE		34951-1210	34951-1220			
KEY A, BLACK, WITH CLIPSLOT, W/O CPA	33472-1550	A-BLK-CLIP	GC	PLR		M	R											10	11	12	SALEABLE		N/A	N/A			
KEY A, BLACK, WITH CLIPSLOT, W/O CPA	33472-1551	A-BLK-CLIP	GC	PLR		M	R										9				SALEABLE		N/A	N/A			
KEY A, BLACK, WITH CLIPSLOT, W/O CPA	33472-1552	A-BLK-CLIP	GC	PLR		M	R			2						8	9	10	11	12	SALEABLE		N/A	N/A			
KEY A, BLACK, WITH CLIPSLOT, W/O CPA	33472-1553	A-BLK-CLIP	GC	PLR		M	R			2						8	9				SALEABLE		N/A	N/A			
KEY A, BLACK, W/O CPA	33472-1554	A-BLK	GC	PLR		M	R									7	8	9	10	11	12	SALEABLE	SEE P/N 33472-1484	34951-1210	34951-1220		
KEY A, BLACK, W/CPA	33472-1555	A-BLK	GC	PLR	CPA	M	R								7	8	9	10	11	12	SALEABLE		34951-1210	34951-1220			
KEY A, BLACK, WITH CLIPSLOT, W/O CPA	33472-1556	A-BLK-CLIP	GC	PLR		M	R						5					10	11		SALEABLE		N/A	N/A			
KEY A, BLACK, WITH CLIPSLOT, W/O CPA	33472-1557	A-BLK-CLIP	GC	PLR		M	R	1				4	5			8				12	SALEABLE		N/A	N/A			
KEY A, BLACK, WITH CLIPSLOT, W/O CPA	33472-1558	A-BLK-CLIP	GC	PLR		M	R	1	2	3	4						9	10	11	12	SALEABLE		N/A	N/A			
KEY A, BLACK, WITH CLIPSLOT, W/CPA	33472-1559	A-BLK-CLIP	GC	PLR	CPA	M	R	1	2	3	4	5	6	7	8						SALEABLE		N/A	N/A			
KEY A, BLACK, WITH CLIPSLOT, W/O CPA	33472-1560	A-BLK-CLIP	GC	PLR		M	R			2								10	11	12	SALEABLE		N/A	N/A			
KEY A, BLACK, WITH CLIPSLOT, W/O CPA	33472-1561	A-BLK-CLIP	GC	PLR		M	R											10			SALEABLE		N/A	N/A			
KEY A, BLACK, W/O CPA	33472-1562	A-BLK	GC	PLR		M	R	1					5	6	7	8				12	SALEABLE		34951-1210	34951-1220			
KEY A, BLACK, W/O CPA	33472-1563	A-BLK	GC	PLR		M	R	1	2	3			5	6	7	8			10	11	12	SALEABLE		34951-1210	34951-1220		
KEY A, BLACK, WITH CLIPSLOT, W/O CPA	33472-1564	A-BLK-CLIP	GC	PLR		M	R								7	8	9			12	SALEABLE		N/A	N/A			
KEY B, LIGHT GRAY, WITH CLIPSLOT, W/O CPA	33472-1565	B-LG-CLIP	GC	PLR		M	R						5			8	9	10			SALEABLE		N/A	N/A			
KEY B, LIGHT GRAY, WITH CLIPSLOT, W/O CPA	33472-1566	B-LG-CLIP	GC	PLR		M	R									8					SALEABLE		N/A	N/A			
KEY A, BLACK, WITH CLIPSLOT, W/O CPA	33472-1567	A-BLK-CLIP	GC	PLR		M	R				4	5			7	8	9	10	11	12	SALEABLE		N/A	N/A			
KEY A, BLACK, W/CPA	33472-1568	A-BLK	GC	PLR	CPA	M	R									8					SALEABLE		34951-1210	34951-1220			
KEY A, BLACK, W/CPA	33472-1569	A-BLK	GC	PLR	CPA	M	R	1	2	3	4				6				11	12	SALEABLE		34951-1210	34951-1220			
KEY A, BLACK, W/CPA	33472-1570	A-BLK	GC	PLR	CPA	M	R	1	2	3				6							SALEABLE		34951-1210	34951-1220			
KEY A, BLACK, WITH CLIPSLOT, W/O CPA	33472-1571	A-BLK-CLIP	GC	PLR		M	R					4	5			7	8			10	11	12	SALEABLE		N/A	N/A	
KEY A, BLACK, W/O CPA	33472-1572	A-BLK	GC	PLR		M	R			2	3			5	6	7	8				SALEABLE		34951-1210	34951-1220			
KEY A, BLACK, W/O CPA	33472-1573	A-BLK	GC	PLR		M	R	1				4					9	10	11	12	SALEABLE		34951-1210	34951-1220			
KEY A, BLACK, W/O CPA	33472-1574	A-BLK	GC	PLR		M	R					4	5	</													

MX150 RECEPTACLE 2X6 SEALED ASSEMBLY MAT SEAL
BOM AND PIN OUT SHEET

ASSEMBLY DESCRIPTION	ASSEMBLY PART NUMBER	COMPONENT						BLOCKED TERMINALS												STATUS	COMMENTS	OPTIONAL ATTACHMENTS SOLD SEPERATELY				
		THE PRESENCE OF AN ABBREVIATION INDICATES THE PRESENCE OF THAT COMPONENT.						CAVITY WITH A NUMBER INDICATES BLOCKED TERMINAL POSITION CAVITY WITHOUT A NUMBER INDICATES OPEN TERMINAL POSITION														BACKSHELL WITH RIBS	BACKSHELL WITHOUT RIBS			
		HOUSING KEY/COLOR	GROMMET CAP	PLR	CPA	MAT SEAL	RING SEAL	1	2	3	4	5	6	7	8	9	10	11	12							
KEY A, BLACK, WITH CLIPSLOT, W/O CPA	33472-1584	A-BLK-CLIP	GC	PLR		M	R	1	2					5		7	8	9	10	11	12	SALEABLE		N/A	N/A	
KEY A, BLACK, WITH CLIPSLOT, W/O CPA	33472-1585	A-BLK-CLIP	GC	PLR		M	R							5		7	8	9		11	12	SALEABLE		N/A	N/A	
KEY A, BLACK, WITH CLIPSLOT, W/O CPA	33472-1586	A-BLK-CLIP	GC	PLR		M	R	1	2					5					10		12	SALEABLE		N/A	N/A	
KEY C, DARK GRAY, WITH CLIPSLOT, W/O CPA	33472-1587	C-DG-CLIP	GC	PLR		M	R	1	2					5	6	7						SALEABLE		N/A	N/A	
KEY C, DARK GRAY, WITH CLIPSLOT, W/O CPA	33472-1588	C-DG-CLIP	GC	PLR		M	R	1	2	3	4	5	6	7								SALEABLE		N/A	N/A	
KEY A, BLACK, WITH CLIPSLOT, W/O CPA	33472-1589	A-BLK-CLIP	GC	PLR		M	R	1	2	3				5	6	7	8	9	10			SALEABLE		N/A	N/A	
KEY A, BLACK, WITH CLIPSLOT, W/O CPA	33472-1590	A-BLK-CLIP	GC	PLR		M	R	1	2	3	4	5	6	7	8				11	12		SALEABLE		N/A	N/A	
KEY A, BLACK, WITH CLIPSLOT, W/O CPA	33472-1591	A-BLK-CLIP	GC	PLR		M	R				4	5	6	7					11	12		SALEABLE		N/A	N/A	
KEY A, BLACK, WITH CLIPSLOT, W/O CPA	33472-1592	A-BLK-CLIP	GC	PLR		M	R					5	6				9	10	11			SALEABLE		N/A	N/A	
KEY A, BLACK, WITH CLIPSLOT, W/O CPA	33472-1593	A-BLK-CLIP	GC	PLR		M	R					5	6									SALEABLE		N/A	N/A	
KEY B, LIGHT GRAY, W/CPA	33472-1594	B-LG	GC	PLR	CPA	M	R	1					6					10		12		SALEABLE		N/A	N/A	
KEY A, BLACK, WITH CLIPSLOT, W/O CPA	33472-1595	A-BLK-CLIP	GC	PLR		M	R							5		7		9		12		SALEABLE		N/A	N/A	
KEY A, BLACK, WITH CLIPSLOT, W/O CPA	33472-1596	A-BLK-CLIP	GC	PLR		M	R							5			9	10	11			SALEABLE		N/A	N/A	
KEY A, BLACK, WITH CLIPSLOT, W/O CPA	33472-1597	A-BLK-CLIP	GC	PLR		M	R							5		7		9	10	11	12	SALEABLE		N/A	N/A	
KEY A, BLACK, WITH CLIPSLOT, W/O CPA	33472-1598	A-BLK-CLIP	GC	PLR		M	R	1	2	3	4	5	6	7	8	9					12	SALEABLE		N/A	N/A	
KEY A, BLACK, WITH CLIPSLOT, W/O CPA	33472-1599	A-BLK-CLIP	GC	PLR		M	R	1	2	3	4	5	6	7	8	9	10	11				SALEABLE		N/A	N/A	
KEY A, BLACK, WITH CLIPSLOT, W/O CPA	33472-6001	A-BLK-CLIP	GC	PLR		M	R	1	2	3					7	8						SALEABLE		N/A	N/A	
KEY A, BLACK, WITH CLIPSLOT, W/O CPA	33472-6002	A-BLK-CLIP	GC	PLR		M	R							7	8	9	10	11	12			SALEABLE		N/A	N/A	
KEY A, BLACK, WITH CLIPSLOT, W/O CPA	33472-6003	A-BLK-CLIP	GC	PLR		M	R				4	5			9	10	11	12				SALEABLE		N/A	N/A	
KEY A, BLACK, WITH CLIPSLOT, W/O CPA	33472-6004	A-BLK-CLIP	GC	PLR		M	R		2			5			8	9	10	11				SALEABLE		N/A	N/A	
KEY A, BLACK, WITH CLIPSLOT, W/O CPA	33472-6005	A-BLK-CLIP	GC	PLR		M	R	1	2	3	4	5	6	7	8	9	10					SALEABLE		N/A	N/A	
KEY B, LIGHT GRAY, WITH CLIPSLOT, W/O CPA	33472-6006	B-LG-CLIP	GC	PLR		M	R								7	8	9			12		SALEABLE		N/A	N/A	
KEY A, BLACK, WITH CLIPSLOT, W/O CPA	33472-6007	A-BLK-CLIP	GC	PLR		M	R								7				11	12		SALEABLE		N/A	N/A	
KEY A, BLACK, WITH CLIPSLOT, W/O CPA	33472-6008	A-BLK-CLIP	GC	PLR		M	R	1		3	4	5	6	7	8	9	10	11				SALEABLE		N/A	N/A	
KEY A, BLACK, WITH CLIPSLOT, W/O CPA	33472-6009	A-BLK-CLIP	GC	PLR		M	R	1		3				5	6	7	8	9	10			SALEABLE		N/A	N/A	
KEY A, BLACK, WITH CLIPSLOT, W/O CPA	33472-6010	A-BLK-CLIP	GC	PLR		M	R	1	2	3	4								11	12		SALEABLE		N/A	N/A	
KEY B, LIGHT GRAY, WITH CLIPSLOT, W/O CPA	33472-6011	B-LG-CLIP	GC	PLR		M	R	1											11			SALEABLE		N/A	N/A	
KEY B, LIGHT GRAY, WITH CLIPSLOT, W/O CPA	33472-6012	B-LG-CLIP	GC	PLR		M	R												11			SALEABLE		N/A	N/A	
KEY A, BLACK, W/CPA	33472-6013	A-BLK	GC	PLR	CPA	M	R							6		8	9	10	11	12		SALEABLE		34951-1210	34951-1220	
KEY B, LIGHT GRAY, W/CPA	33472-6014	B-LG	GC	PLR	CPA	M	R							6		8	9	10	11	12		SALEABLE		34951-1210	34951-1220	
KEY A, BLACK, WITH CLIPSLOT, W/O CPA	33472-6015	A-BLK-CLIP	GC	PLR		M	R	1	2	3	4				8	9	10	11	12			SALEABLE		N/A	N/A	
KEY A, BLACK, WITH CLIPSLOT, W/CPA	33472-6016	A-BLK-CLIP	GC	PLR	CPA	M	R			2	3				7		9	10	11	12		SALEABLE		N/A	N/A	
KEY A, BLACK, WITH CLIPSLOT, W/CPA	33472-6017	A-BLK-CLIP	GC	PLR	CPA	M	R			2	3											SALEABLE		N/A	N/A	
KEY A, BLACK, WITH CLIPSLOT, W/CPA	33472-6018	A-BLK-CLIP	GC	PLR	CPA	M	R			2					7		9	10	11	12		SALEABLE		N/A	N/A	
KEY A, BLACK, WITH CLIPSLOT, W/CPA	33472-6019	A-BLK-CLIP	GC	PLR	CPA	M	R			2												SALEABLE		N/A	N/A	
KEY A, BLACK, W/CPA	33472-6020	A-BLK	GC	PLR	CPA	M	R				4	5	6	7	8	9	10	11				SALEABLE		34951-1210	34951-1220	
KEY A, BLACK, W/O CPA	33472-6021	A-BLK	GC	PLR		M	R								7	8	9	10	11			SALEABLE		34951-1210	34951-1220	
KEY A, BLACK, W/O CPA	33472-6022	A-BLK	GC	PLR		M	R								7	8						SALEABLE		34951-1210	34951-1220	
KEY A, BLACK, W/O CPA	33472-6023	A-BLK	GC	PLR		M	R			2						9	10					SALEABLE		34951-1210	34951-1220	
KEY A, BLACK, W/O CPA	33472-6024	A-BLK	GC	PLR		M	R			2		4										SALEABLE		34951-1210	34951-1220	
KEY A, BLACK, W/O CPA	33472-6025	A-BLK	GC	PLR		M	R			2	3								11			SALEABLE		34951-1210	34951-1220	
KEY A, BLACK, W/O CPA	33472-6026	A-BLK	GC	PLR		M	R			2	3			5	6	7	8			11		SALEABLE		34951-1210	34951-1220	
KEY A, BLACK, W/O CPA	33472-6027	A-BLK	GC	PLR		M	R	1						5	6	7	8					SALEABLE		34951-1210	34951-1220	
KEY A, BLACK, W/O CPA	33472-6028	A-BLK	GC	PLR		M	R			2	3				6	7	8			10	11	SALEABLE		34951-1210	34951-1220	
KEY A, BLACK, W/O CPA	33472-6029	A-BLK	GC	PLR		M	R													11		SALEABLE		34951-1210	34951-1220	
KEY A, BLACK, W/O CPA	33472-6030	A-BLK	GC	PLR		M	R			2	3	4			7	8						SALEABLE		34951-1210	34951-1220	
KEY A, BLACK, W/O CPA	33472-6031	A-BLK	GC	PLR		M	R	1			3	4	5	6	7	8						SALEABLE		34951-1210	34951-1220	
KEY A, BLACK, W/O CPA	33472-6032	A-BLK	GC	PLR		M	R					4	5	6	7	8	9					SALEABLE		34951-1210	34951-1220	
KEY A, BLACK, W/O CPA	33472-6033	A-BLK	GC	PLR		M	R							6	7	8						SALEABLE		34951-1210	34951-1220	
KEY A, BLACK, W/O CPA	33472-6034	A-BLK	GC	PLR		M	R			2						8			10	11		SALEABLE		34951-1210	34951-1220	
KEY A, BLACK, W/O CPA	33472-6035	A-BLK	GC	PLR		M	R				3	4	5				9	10				SALEABLE		34951-1210	34951-1220	
KEY A, BLACK, W/O CPA	33472-6036	A-BLK	GC	PLR		M	R									7						SALEABLE		34951-1210	34951-1220	
KEY A, BLACK, W/O CPA	33472-6037	A-BLK	GC	PLR		M	R			2	3	4	5						10	11	12	SALEABLE		34951-1210	34951-1220	
KEY A, BLACK, W/O CPA	33472-6038	A-BLK	GC	PLR		M	R	1							6	7		9				SALEABLE		34951-1210	34951-1220	
KEY A, BLACK, W/O CPA	33472-6039	A-BLK	GC	PLR		M	R			2	3	4	5	6	7	8				10	11	12	SALEABLE		34951-1210	34951-1220
KEY A, BLACK, W/O CPA	33472-6040	A-BLK	GC	PLR		M	R			2	3									11		SALEABLE		34951-1210	34951-1220	
KEY A, BLACK, W/O CPA	33472-6041	A-BLK	GC	PLR		M	R	1	2	3	4	5					9	10	11	12		SALEABLE		34951-1210	34951-1220	
KEY A, BLACK, W/O CPA	33472-6042	A-BLK	GC	PLR		M	R			2	3						9	10	11			SALEABLE		34951-1210	34951-1220	
KEY A, BLACK, W/O CPA	33472-6043	A-BLK	GC	PLR		M	R	1	2	3	4	5				8	9	10	11	12		SALEABLE		34951-1210	34951-1220	
KEY A, BLACK, W/O CPA	33472-6044	A-BLK	GC	PLR		M	R	1	2	3	4	5								12		SALEABLE		34951-1210	34951-1220	
KEY A, BLACK, W/O CPA	33472-6045	A-BLK	GC	PLR		M	R				3	4	5									SALEABLE		34951-1210	34951-1220	
KEY A, BLACK, W/O CPA	33472-6046	A-BLK	GC	PLR		M	R				3	4	5	6	7	8	9	10	11			SALEABLE		34951-1210	34951-1220	
KEY A, BLACK, W/O CPA	33472-6047	A-BLK	GC	PLR		M	R			2	3				8	9	10	11	12			SALEABLE		34951-1210	34951-1220	
KEY A, BLACK, W/O CPA	33472-6048	A-BLK	GC	PLR		M	R			2	3				8	9						SALEABLE		34951-1210	34951-1220	
KEY A, BLACK, W/O CPA	33472-6049	A-BLK	GC	PLR		M	R	1	2	3									11	12		SALEABLE		34951-1210	34951-1220	
KEY A, BLACK, W/O CPA	33472-6050	A-BLK	GC	PLR		M	R	1	2	3	4				6	8			10	11	12	SALEABLE		34951-1210	34951-1220	
KEY A, BLACK, W/O CPA	33472-6051	A-BLK	GC	PLR		M	R			2		4			6	8			10	11	12	SALEABLE		34951-1210	34951-1220	
KEY A, BLACK, W/O CPA	33472-6052	A-BLK	GC	PLR		M	R												11	12		SALEABLE		34951-1210	34951-1220	
KEY A, BLACK, W/O CPA	33472-6053	A-BLK	GC	PLR		M	R	1	2	3																

MX150 RECEPTACLE 2X6 SEALED ASSEMBLY MAT SEAL
BOM AND PIN OUT SHEET

ASSEMBLY DESCRIPTION	ASSEMBLY PART NUMBER	COMPONENT						BLOCKED TERMINALS												STATUS	COMMENTS	OPTIONAL ATTACHMENTS SOLD SEPERATELY						
		THE PRESENCE OF AN ABBREVIATION INDICATES THE PRESENCE OF THAT COMPONENT.						CAVITY WITH A NUMBER INDICATES BLOCKED TERMINAL POSITION CAVITY WITHOUT A NUMBER INDICATES OPEN TERMINAL POSITION														BACKSHELL WITH RIBS	BACKSHELL WITHOUT RIBS					
		HOUSING KEY/COLOR	GROMMET CAP	PLR	CPA	MAT SEAL	RING SEAL	1	2	3	4	5	6	7	8	9	10	11	12									
KEY A, BLACK, W/O CPA	33472-6066	A-BLK	GC	PLR		M	R	1	2					5	6	7	8							SALEABLE		34951-1210	34951-1220	
KEY A, BLACK, W/O CPA	33472-6067	A-BLK	GC	PLR		M	R					4					8				10			SALEABLE		34951-1210	34951-1220	
KEY A, BLACK, W/O CPA	33472-6068	A-BLK	GC	PLR		M	R	1	2	3	4	5	6					9	10	11	12			SALEABLE		34951-1210	34951-1220	
KEY A, BLACK, W/O CPA	33472-6069	A-BLK	GC	PLR		M	R	1			4									11				SALEABLE		34951-1210	34951-1220	
KEY A, BLACK, W/O CPA	33472-6070	A-BLK	GC	PLR		M	R											9	10	11	12			SALEABLE		34951-1210	34951-1220	
KEY A, BLACK, W/O CPA	33472-6071	A-BLK	GC	PLR		M	R	1	2	3	4	5	6	7	8							12		SALEABLE		34951-1210	34951-1220	
KEY A, BLACK, W/O CPA	33472-6072	A-BLK	GC	PLR		M	R	1	2				6	7	8							12		SALEABLE		34951-1210	34951-1220	
KEY A, BLACK, W/O CPA	33472-6073	A-BLK	GC	PLR		M	R	1	2					7	8									SALEABLE		34951-1210	34951-1220	
KEY A, BLACK, W/O CPA	33472-6074	A-BLK	GC	PLR		M	R	1					6	7	8							12		SALEABLE		34951-1210	34951-1220	
KEY A, BLACK, W/O CPA	33472-6075	A-BLK	GC	PLR		M	R							7	8							12		SALEABLE		34951-1210	34951-1220	
KEY A, BLACK, W/O CPA	33472-6076	A-BLK	GC	PLR		M	R		2		4				7	8	9	10						SALEABLE		34951-1210	34951-1220	
KEY A, BLACK, W/O CPA	33472-6077	A-BLK	GC	PLR		M	R			3		5	6	7	8	9	10	11	12					SALEABLE		34951-1210	34951-1220	
KEY A, BLACK, W/O CPA	33472-6078	A-BLK	GC	PLR		M	R				3				7	8	9	10	11	12				SALEABLE		34951-1210	34951-1220	
KEY A, BLACK, W/O CPA	33472-6079	A-BLK	GC	PLR		M	R	1	2	3	4		6	7	8	9	10				12			SALEABLE		34951-1210	34951-1220	
KEY A, BLACK, W/O CPA	33472-6080	A-BLK	GC	PLR		M	R	1	2	3	4				7	8	9	10						SALEABLE		34951-1210	34951-1220	
KEY A, BLACK, W/O CPA	33472-6081	A-BLK	GC	PLR		M	R						6		8	9	10	11	12					SALEABLE		34951-1210	34951-1220	
KEY A, BLACK, W/O CPA	33472-6082	A-BLK	GC	PLR		M	R								8	9	10	11	12					SALEABLE		34951-1210	34951-1220	
KEY A, BLACK, W/O CPA	33472-6083	A-BLK	GC	PLR		M	R								8	9			11					SALEABLE		34951-1210	34951-1220	
KEY A, BLACK, W/O CPA	33472-6084	A-BLK	GC	PLR		M	R	1	2	3					8		10	11	12					SALEABLE		34951-1210	34951-1220	
KEY A, BLACK, W/O CPA	33472-6085	A-BLK	GC	PLR		M	R				3		5	6			8	9	10	11	12			SALEABLE		34951-1210	34951-1220	
KEY A, BLACK, W/O CPA	33472-6086	A-BLK	GC	PLR		M	R		2	3				6	7	8	9	10	11	12				SALEABLE		34951-1210	34951-1220	
KEY A, BLACK, W/O CPA	33472-6087	A-BLK	GC	PLR		M	R				3	4	5	6			8	9	10	11				SALEABLE		34951-1210	34951-1220	
KEY A, BLACK, W/O CPA	33472-6088	A-BLK	GC	PLR		M	R								8	9								SALEABLE		34951-1210	34951-1220	
KEY A, BLACK, W/O CPA	33472-6089	A-BLK	GC	PLR		M	R				3	4	5	6	7	8	9	10	11	12				SALEABLE		34951-1210	34951-1220	
KEY A, BLACK, W/O CPA	33472-6090	A-BLK	GC	PLR		M	R	1	2															SALEABLE		34951-1210	34951-1220	
KEY A, BLACK, W/O CPA	33472-6091	A-BLK	GC	PLR		M	R	1	2	3	4	5	6	7	8									SALEABLE		34951-1210	34951-1220	
KEY A, BLACK, W/O CPA	33472-6092	A-BLK	GC	PLR		M	R	1	2	3	4	5	6	7	8	9								SALEABLE		34951-1210	34951-1220	
KEY A, BLACK, W/O CPA	33472-6093	A-BLK	GC	PLR		M	R	1	2	3			6	7	8					10	11	12		SALEABLE		34951-1210	34951-1220	
KEY A, BLACK, W/O CPA	33472-6094	A-BLK	GC	PLR		M	R				4										10			SALEABLE		34951-1210	34951-1220	
KEY A, BLACK, W/O CPA	33472-6095	A-BLK	GC	PLR		M	R	1							8						10	11		SALEABLE		34951-1210	34951-1220	
KEY A, BLACK, W/O CPA	33472-6096	A-BLK	GC	PLR		M	R				3	4	5	6				9	10	11				SALEABLE		34951-1210	34951-1220	
KEY A, BLACK, W/O CPA	33472-6097	A-BLK	GC	PLR		M	R									8	9	10				12		SALEABLE		34951-1210	34951-1220	
KEY A, BLACK, W/O CPA	33472-6098	A-BLK	GC	PLR		M	R	1	2		4					7	8				10	12		SALEABLE		34951-1210	34951-1220	
KEY A, BLACK, W/O CPA	33472-6099	A-BLK	GC	PLR		M	R		2	3		5								11				SALEABLE		34951-1210	34951-1220	
KEY A, BLACK, W/O CPA	33472-6100	A-BLK	GC	PLR		M	R	1	2	3								9			11			SALEABLE		34951-1210	34951-1220	
KEY A, BLACK, W/O CPA	33472-6101	A-BLK	GC	PLR		M	R	1	2	3		5										11		SALEABLE		34951-1210	34951-1220	
KEY A, BLACK, W/O CPA	33472-6102	A-BLK	GC	PLR		M	R	1	2	3	4	5			7	8								SALEABLE		34951-1210	34951-1220	
KEY A, BLACK, W/O CPA	33472-6103	A-BLK	GC	PLR		M	R					5			8									SALEABLE		34951-1210	34951-1220	
KEY A, BLACK, W/O CPA	33472-6104	A-BLK	GC	PLR		M	R		2			5						9						SALEABLE		34951-1210	34951-1220	
KEY A, BLACK, W/O CPA	33472-6105	A-BLK	GC	PLR		M	R		2			5			7							12		SALEABLE		34951-1210	34951-1220	
KEY A, BLACK, W/O CPA	33472-6106	A-BLK	GC	PLR		M	R			2								9						SALEABLE		34951-1210	34951-1220	
KEY A, BLACK, W/O CPA	33472-6107	A-BLK	GC	PLR		M	R	1	2	3	4			6							11	12		SALEABLE		34951-1210	34951-1220	
KEY A, BLACK, W/O CPA	33472-6108	A-BLK	GC	PLR		M	R		2							8								SALEABLE		34951-1210	34951-1220	
KEY A, BLACK, W/O CPA	33472-6109	A-BLK	GC	PLR		M	R		2		4					8						10		SALEABLE		34951-1210	34951-1220	
KEY A, BLACK, W/O CPA	33472-6110	A-BLK	GC	PLR		M	R	1	2	3	4	5	6	7	8							10	11	12	SALEABLE		34951-1210	34951-1220
KEY A, BLACK, W/O CPA	33472-6111	A-BLK	GC	PLR		M	R	1			3		5	6	7	8	9	10	11	12				SALEABLE		34951-1210	34951-1220	
KEY A, BLACK, W/O CPA	33472-6112	A-BLK	GC	PLR		M	R				4	5	6	7	8	9	10	11	12					SALEABLE		34951-1210	34951-1220	
KEY A, BLACK, W/O CPA	33472-6113	A-BLK	GC	PLR		M	R				4	4			7	8	9	10	11	12				SALEABLE		34951-1210	34951-1220	
KEY A, BLACK, W/O CPA	33472-6114	A-BLK	GC	PLR		M	R	1	2	3	4	5	6	7	8	9	10	11	12					SALEABLE		34951-1210	34951-1220	
KEY A, BLACK, W/O CPA	33472-6115	A-BLK	GC	PLR		M	R	1	2	3	4	5	6	7	8	9	10							SALEABLE		34951-1210	34951-1220	
KEY A, BLACK, W/O CPA	33472-6116	A-BLK	GC	PLR		M	R					5	6	7	8							12		SALEABLE		34951-1210	34951-1220	
KEY A, BLACK, W/O CPA	33472-6117	A-BLK	GC	PLR		M	R	1	2		4	5	6	7								12		SALEABLE		34951-1210	34951-1220	
KEY A, BLACK, W/O CPA	33472-6118	A-BLK	GC	PLR		M	R								7	8					11			SALEABLE		34951-1210	34951-1220	
KEY A, BLACK, W/O CPA	33472-6119	A-BLK	GC	PLR		M	R	1	2	3	4				7	8	9	10	11					SALEABLE		34951-1210	34951-1220	
KEY A, BLACK, W/O CPA	33472-6120	A-BLK	GC	PLR		M	R					5	6	7	8	9	10					12		SALEABLE		34951-1210	34951-1220	
KEY A, BLACK, W/O CPA	33472-6121	A-BLK	GC	PLR		M	R	1	2		4	5	6	7	8	9	10	11	12					SALEABLE		34951-1210	34951-1220	
KEY A, BLACK, W/O CPA	33472-6122	A-BLK	GC	PLR		M	R					5			8	9								SALEABLE		34951-1210	34951-1220	
KEY A, BLACK, W/O CPA	33472-6123	A-BLK	GC	PLR		M	R					5			7	8	9							SALEABLE		34951-1210	34951-1220	
KEY A, BLACK, W/O CPA	33472-6124	A-BLK	GC	PLR		M	R				4	5			9	10	11	12						SALEABLE		34951-1210	34951-1220	
KEY A, BLACK, W/O CPA	33472-6125	A-BLK	GC	PLR		M	R					3			6	7	8	9	10	11	12			SALEABLE		34951-1210	34951-1220	
KEY A, BLACK, W/O CPA	33472-6126	A-BLK	GC	PLR		M	R				3					7	8	9						SALEABLE		34951-1210	34951-1220	
KEY A, BLACK, W/O CPA	33472-6127	A-BLK	GC	PLR		M	R							6								10	11	12	SALEABLE		34951-1210	34951-1220
KEY A, BLACK, W/O CPA	33472-6128	A-BLK	GC	PLR		M	R							6	7	8						10	11	12	SALEABLE		34951-1210	34951-1220
KEY A, BLACK, W/O CPA	33472-6129	A-BLK	GC	PLR		M	R						6															



**MX150 RECEPTACLE 2X6 SEALED ASSEMBLY MAT SEAL
BOM AND PIN OUT SHEET**

ASSEMBLY DESCRIPTION	ASSEMBLY PART NUMBER	COMPONENT						BLOCKED TERMINALS												STATUS	COMMENTS	OPTIONAL ATTACHMENTS SOLD SEPERATELY	
		THE PRESENCE OF AN ABBREVIATION INDICATES THE PRESENCE OF THAT COMPONENT.						CAVITY WITH A NUMBER INDICATES BLOCKED TERMINAL POSITION CAVITY WITHOUT A NUMBER INDICATES OPEN TERMINAL POSITION														BACKSHELL WITH RIBS	BACKSHELL WITHOUT RIBS
		HOUSING KEY/COLOR	GROMMET CAP	PLR	CPA	MAT SEAL	RING SEAL	1	2	3	4	5	6	7	8	9	10	11	12				
KEY B, LIGHT GRAY, W/O CPA	33472-6228	B-LG	GC	PLR		M	R	1	2	3	4	5		7				11	12	SALEABLE		34951-1210	34951-1220
KEY B, LIGHT GRAY, W/O CPA	33472-6229	B-LG	GC	PLR		M	R	1	2	3	4	5	6	7			10	11	12	SALEABLE		34951-1210	34951-1220
KEY B, LIGHT GRAY, W/O CPA	33472-6230	B-LG	GC	PLR		M	R						6	7			10	11	12	SALEABLE		34951-1210	34951-1220
KEY B, LIGHT GRAY, W/O CPA	33472-6231	B-LG	GC	PLR		M	R						6	7	8	9	10	11	12	SALEABLE		34951-1210	34951-1220
KEY B, LIGHT GRAY, W/O CPA	33472-6232	B-LG	GC	PLR		M	R			3				7						SALEABLE		34951-1210	34951-1220
KEY B, LIGHT GRAY, WITH CLIPSLOT, W/O CPA	33472-6233	B-LG-CLIP	GC	PLR		M	R							7				11	12	SALEABLE		N/A	N/A

MX150 RECEPTACLE 2X8 SEALED ASSEMBLY MAT SEAL
BOM AND PIN OUT SHEET

ASSEMBLY DESCRIPTION	ASSEMBLY PART NUMBER	COMPONENT						BLOCKED TERMINALS																STATUS	COMMENTS	OPTIONAL ATTACHMENTS SOLD SEPERATELY					
		THE PRESENCE OF AN ABBREVIATION INDICATES THE PRESENCE OF THAT COMPONENT.						CAVITY WITH A NUMBER INDICATES BLOCKED TERMINAL POSITION CAVITY WITHOUT A NUMBER INDICATES OPEN TERMINAL POSITION																		BACKSHELL WITH RIBS	BACKSHELL WITHOUT RIBS	90° ADAPTOR WITH RIBS	90° ADAPTOR WITHOUT RIBS		
		HOUSING KEY/COLOR	GROMMET CAP	PLR	CPA	MAT SEAL	RING SEAL	1	2	3	4	5	6	7	8	9	10	11	12	13	14	15	16								
KEY B, LIGHT GRAY, W/CPA	33472-1773	B-LG	GC	PLR	CPA	M	R			4	5							10	11	12	13					SALEABLE		N/A	N/A	N/A	N/A
KEY B, LIGHT GRAY, W/CPA	33472-1774	B-LG	GC	PLR	CPA	M	R			4	5							8		10	11	12	13			SALEABLE		N/A	N/A	N/A	N/A
KEY B, LIGHT GRAY, W/CPA	33472-1775	B-LG	GC	PLR	CPA	M	R			4	5							8		10	11	12	13			SALEABLE		N/A	N/A	N/A	N/A
KEY B, LIGHT GRAY, W/CPA	33472-1776	B-LG	GC	PLR	CPA	M	R			4	5							8		10		12	13			SALEABLE		N/A	N/A	N/A	N/A
KEY B, LIGHT GRAY, W/CPA	33472-1777	B-LG	GC	PLR	CPA	M	R			4	5									10	11	12	13			SALEABLE		N/A	N/A	N/A	N/A
KEY A, BLACK, W/O CPA	33472-1778	A-BLK	GC	PLR		M	R																			SALEABLE		N/A	N/A	N/A	N/A
KEY A, BLACK, W/O CPA	33472-1779	A-BLK	GC	PLR		M	R																			SALEABLE		N/A	N/A	N/A	N/A
KEY A, BLACK, W/O CPA	33472-1780	A-BLK	GC	PLR	CPA	M	R																			SALEABLE		N/A	N/A	N/A	N/A
KEY A, BLACK, W/O CPA	33472-1781	A-BLK	GC	PLR		M	R																			SALEABLE		N/A	N/A	N/A	N/A
KEY A, BLACK, W/O CPA	33472-1782	A-BLK	GC	PLR	CPA	M	R																			SALEABLE		N/A	N/A	N/A	N/A
KEY A, BLACK, W/O CPA	33472-1783	A-BLK	GC	PLR		M	R	1	2	3	4															SALEABLE		N/A	N/A	N/A	N/A
KEY A, BLACK, W/O CPA	33472-1784	A-BLK	GC	PLR		M	R	1	2	3	4															SALEABLE		N/A	N/A	N/A	N/A
KEY A, BLACK, W/O CPA	33472-1785	A-BLK	GC	PLR		M	R			2	3	4														SALEABLE		N/A	N/A	N/A	N/A
KEY A, BLACK, W/O CPA	33472-1786	A-BLK	GC	PLR		M	R			2	3	4	5	6	7	8	9	10								SALEABLE		N/A	N/A	N/A	N/A
KEY A, BLACK, W/O CPA	33472-1787	A-BLK	GC	PLR		M	R																			SALEABLE		N/A	N/A	N/A	N/A
KEY A, BLACK, W/O CPA	33472-1788	A-BLK	GC	PLR		M	R				3	4	5	6	7	8	9	10								SALEABLE		N/A	N/A	N/A	N/A
KEY A, BLACK, W/O CPA	33472-1789	A-BLK	GC	PLR		M	R																			SALEABLE		N/A	N/A	N/A	N/A
KEY A, BLACK, W/O CPA	33472-1790	A-BLK	GC	PLR		M	R				3	4	5	6	7	8	9	10								SALEABLE		N/A	N/A	N/A	N/A
KEY A, BLACK, W/O CPA	33472-1791	A-BLK	GC	PLR		M	R																			SALEABLE		N/A	N/A	N/A	N/A
KEY A, BLACK, W/O CPA	33472-1792	A-BLK	GC	PLR		M	R	1			3	4	5	6	7	8	9	10								SALEABLE		N/A	N/A	N/A	N/A
KEY A, BLACK, W/O CPA	33472-1793	A-BLK	GC	PLR		M	R																			SALEABLE		N/A	N/A	N/A	N/A
KEY A, BLACK, W/O CPA	33472-1794	A-BLK	GC	PLR		M	R			2																SALEABLE		N/A	N/A	N/A	N/A
KEY A, BLACK, W/O CPA	33472-1795	A-BLK	GC	PLR	CPA	M	R																			SALEABLE		N/A	N/A	N/A	N/A
KEY A, BLACK, W/O CPA	33472-1796	A-BLK	GC	PLR		M	R	1																		SALEABLE		N/A	N/A	N/A	N/A
KEY A, BLACK, W/O CPA	33472-1797	A-BLK	GC	PLR		M	R																			SALEABLE		N/A	N/A	N/A	N/A
KEY A, BLACK, W/O CPA	33472-1798	A-BLK	GC	PLR		M	R	1			3															SALEABLE		N/A	N/A	N/A	N/A
KEY B, LIGHT GRAY, W/CPA	33472-1799	B-LG	GC	PLR	CPA	M	R			2																SALEABLE		N/A	N/A	N/A	N/A
KEY A, BLACK, W/O CPA	33472-1800	A-BLK	GC	PLR		M	R	1			3	4	5	6	7	8	9	10								SALEABLE		N/A	N/A	N/A	N/A
KEY B, LIGHT GRAY, W/CPA	33472-1801	B-LG	GC	PLR	CPA	M	R																			SALEABLE		N/A	N/A	N/A	N/A
KEY B, LIGHT GRAY, W/CPA	33472-1802	B-LG	GC	PLR	CPA	M	R			2																SALEABLE		N/A	N/A	N/A	N/A
KEY B, LIGHT GRAY, W/CPA	33472-1803	B-LG	GC	PLR	CPA	M	R			2																SALEABLE		N/A	N/A	N/A	N/A
KEY B, LIGHT GRAY, W/CPA	33472-1804	B-LG	GC	PLR	CPA	M	R			2	3	4	5	6	7	8	9	10								SALEABLE		N/A	N/A	N/A	N/A
KEY A, BLACK, W/O CPA	33472-1805	A-BLK	GC	PLR		M	R																			SALEABLE		N/A	N/A	N/A	N/A
KEY A, BLACK, W/O CPA	33472-1806	A-BLK	GC	PLR	CPA	M	R	1			3	4	5	6	7	8	9	10								SALEABLE		N/A	N/A	N/A	N/A
KEY A, BLACK, W/O CPA	33472-1807	A-BLK	GC	PLR	CPA	M	R	1	2	3	4	5	6	7	8	9	10									SALEABLE		N/A	N/A	N/A	N/A
KEY A, BLACK, W/O CPA	33472-1808	A-BLK	GC	PLR	CPA	M	R			2	3	4	5	6	7	8	9	10								SALEABLE		N/A	N/A	N/A	N/A
KEY A, BLACK, W/O CPA	33472-1809	A-BLK	GC	PLR	CPA	M	R																			SALEABLE		N/A	N/A	N/A	N/A
KEY A, BLACK, W/O CPA	33472-1810	A-BLK	GC	PLR		M	R	1	2	3	4	5	6	7	8	9	10									SALEABLE		N/A	N/A	N/A	N/A
KEY A, BLACK, W/O CPA	33472-1811	A-BLK	GC	PLR		M	R	1	2	3																SALEABLE		N/A	N/A	N/A	N/A
KEY A, BLACK, W/O CPA	33472-1812	A-BLK	GC	PLR		M	R	1	2																	SALEABLE		N/A	N/A	N/A	N/A
KEY B, LIGHT GRAY, W/O CPA	33472-1813	B-LG	GC	PLR		M	R																			SALEABLE		N/A	N/A	N/A	N/A
KEY B, LIGHT GRAY, W/O CPA	33472-1814	B-LG	GC	PLR		M	R																			SALEABLE		N/A	N/A	N/A	N/A
KEY B, LIGHT GRAY, W/O CPA	33472-1815	B-LG	GC	PLR		M	R																			SALEABLE		N/A	N/A	N/A	N/A
KEY B, LIGHT GRAY, W/O CPA	33472-1816	B-LG	GC	PLR		M	R																			SALEABLE		N/A	N/A	N/A	N/A
KEY B, LIGHT GRAY, W/O CPA	33472-1817	B-LG	GC	PLR		M	R	1	2	3	4	5	6	7	8	9	10	11	12	13	14	15	16			SALEABLE		N/A	N/A	N/A	N/A
KEY A, BLACK, W/O CPA	33472-1818	A-BLK	GC	PLR		M	R																			SALEABLE		N/A	N/A	N/A	N/A
KEY A, BLACK, W/O CPA	33472-1819	A-BLK	GC	PLR	CPA	M	R																			SALEABLE		N/A	N/A	N/A	N/A
KEY A, BLACK, W/O CPA	33472-1820	A-BLK	GC	PLR	CPA	M	R																			SALEABLE		N/A	N/A	N/A	N/A
KEY B, LIGHT GRAY, W/CPA	33472-1821	B-LG	GC	PLR	CPA	M	R																			SALEABLE		N/A	N/A	N/A	N/A
KEY B, LIGHT GRAY, W/CPA	33472-1822	B-LG	GC	PLR	CPA	M	R																			SALEABLE		N/A	N/A	N/A	N/A
KEY B, LIGHT GRAY, W/CPA	33472-1823	B-LG	GC	PLR	CPA	M	R																			SALEABLE		N/A	N/A	N/A	N/A
KEY B, LIGHT GRAY, W/CPA	33472-1824	B-LG	GC	PLR	CPA	M	R																			SALEABLE		N/A	N/A	N/A	N/A
KEY B, LIGHT GRAY, W/CPA	33472-1825	B-LG	GC	PLR	CPA	M	R																			SALEABLE		N/A	N/A	N/A	N/A
KEY A, BLACK, W/O CPA	33472-1826	A-BLK	GC	PLR		M	R	1	2	3	4	5	6	7	8	9	10									SALEABLE		N/A	N/A	N/A	N/A
KEY A, BLACK, W/O CPA	33472-1827	A-BLK	GC	PLR		M	R	1	2	3	4	5	6	7	8	9	10	11	12	13	14	15	16			SALEABLE		N/A	N/A	N/A	N/A
KEY A, BLACK, W/O CPA	33472-1828	A-BLK	GC	PLR		M	R																			SALEABLE		N/A	N/A	N/A	N/A
KEY A, BLACK, W/O CPA	33472-1829	A-BLK	GC	PLR		M	R	1	2	3	4	5	6	7	8	9	10	11	12	13	14	15	16			SALEABLE		N/A	N/A	N/A	N/A
KEY A, BLACK, W/O CPA	33472-1830	A-BLK	GC	PLR		M	R	1	2	3	4	5	6	7	8	9	10	11	12	13	14	15	16			SALEABLE		N/A	N/A	N/A	N/A
KEY A, BLACK, W/O CPA	33472-1831	A-BLK	GC	PLR		M	R																			SALEABLE		N/A	N/A	N/A	N/A
KEY A, BLACK, W/O CPA	33472-1832	A-BLK	GC	PLR		M	R			2																SALEABLE		N/A	N/A	N/A	N/A
KEY A, BLACK, W/O CPA	33472-1833	A-BLK	GC	PLR		M	R	1	2	3	4	5	6	7	8	9	10									SALEABLE		N/A	N/A	N/A	N/A
KEY A, BLACK, W/O CPA	33472-1834	A-BLK	GC	PLR		M	R	1	2	3	4	5	6	7	8	9	10									SALEABLE		N/A	N/A	N/A	N/A
KEY A, BLACK, W/O CPA	33472-1835	A-BLK	GC	PLR		M	R	1	2	3	4	5	6	7	8	9	10	11	12	13	14	15	16			SALEABLE		N/A	N/A	N/A	N/A
KEY B, LIGHT GRAY, W/O CPA	33472-1836	B-LG	GC	PLR		M	R																								

MX150 RECEPTACLE 2X10 SEALED ASSEMBLY MAT SEAL
BOM AND PIN OUT SHEET

ASSEMBLY DESCRIPTION	ASSEMBLY PART NUMBER	COMPONENT						BLOCKED TERMINALS																				STATUS	COMMENTS	OPTIONAL ATTACHMENTS SOLD SEPARATELY					
		THE PRESENCE OF AN ABBREVIATION INDICATES THE PRESENCE OF THAT COMPONENT.						CAVITY WITH A NUMBER INDICATES BLOCKED TERMINAL POSITION CAVITY WITHOUT A NUMBER INDICATES OPEN TERMINAL POSITION																						BACKSHELL WITH RIBS	BACKSHELL WITHOUT RIBS	90° ADAPTOR WITH RIBS	90° ADAPTOR WITHOUT RIBS		
		HOUSING KEY/COLOR	GROMMET CAP	PLR	CPA	MAT SEAL	RING SEAL	1	2	3	4	5	6	7	8	9	10	11	12	13	14	15	16	17	18	19	20								
KEY A, BLACK, W/O CPA	33472-2542	A-BLK	GCP	PLR		M	R					6	7			10	11							17	18	19	20	SALEABLE		N/A	N/A	N/A	N/A		
KEY A, BLACK, W/O CPA	33472-2543	A-BLK	GCP	PLR		M	R	1	2			6	7	8		10								17	18	19	20	SALEABLE		N/A	N/A	N/A	N/A		
KEY A, BLACK, W/O CPA	33472-2544	A-BLK	GCP	PLR		M	R	1	2	3		6	7	8		10	11							17	18	19	20	SALEABLE		N/A	N/A	N/A	N/A		
KEY A, BLACK, W/O CPA	33472-2545	A-BLK	GCP	PLR		M	R			3							11							17	18	19	20	SALEABLE		N/A	N/A	N/A	N/A		
KEY A, BLACK, W/O CPA	33472-2546	A-BLK	GCP	PLR		M	R	1		3							11							17	18	19	20	SALEABLE		N/A	N/A	N/A	N/A		
KEY A, BLACK, W/O CPA	33472-2547	A-BLK	GCP	PLR		M	R	1	2	3						10	11							17	18	19	20	SALEABLE		N/A	N/A	N/A	N/A		
KEY A, BLACK, W/O CPA	33472-2548	A-BLK	GCP	PLR		M	R			3							12							17	18	19	20	SALEABLE		N/A	N/A	N/A	N/A		
KEY A, BLACK, W/O CPA	33472-2549	A-BLK	GCP	PLR		M	R	1		3							12							17	18	19	20	SALEABLE		N/A	N/A	N/A	N/A		
KEY A, BLACK, W/O CPA	33472-2550	A-BLK	GCP	PLR		M	R			3		5	6	7			11	12	13									SALEABLE		N/A	N/A	N/A	N/A		
KEY A, BLACK, W/O CPA	33472-2551	A-BLK	GCP	PLR		M	R					5	6				11											SALEABLE		N/A	N/A	N/A	N/A		
KEY A, BLACK, W/O CPA	33472-2552	A-BLK	GCP	PLR		M	R		2	3							12	13					14		16	17		19	20	SALEABLE		N/A	N/A	N/A	N/A
KEY A, BLACK, W/O CPA	33472-2553	A-BLK	GCP	PLR		M	R	1	2	3							11	12	13									SALEABLE		N/A	N/A	N/A	N/A		
KEY A, BLACK, W/O CPA	33472-2554	A-BLK	GCP	PLR		M	R		2	3							11	12	13									SALEABLE		N/A	N/A	N/A	N/A		
KEY A, BLACK, W/O CPA	33472-2555	A-BLK	GCP	PLR		M	R	1									9	10	11	12								SALEABLE		N/A	N/A	N/A	N/A		
KEY A, BLACK, W/O CPA	33472-2556	A-BLK	GCP	PLR		M	R	1		3	4						9	10	11	12								SALEABLE		N/A	N/A	N/A	N/A		
KEY A, BLACK, W/O CPA	33472-2557	A-BLK	GCP	PLR		M	R	1		3	4	5	6	7	8	9	10	11	12									SALEABLE		N/A	N/A	N/A	N/A		
KEY A, BLACK, W/O CPA	33472-2558	A-BLK	GCP	PLR		M	R					5	6	7	8	9		12					15	16		18	19	20	SALEABLE		N/A	N/A	N/A	N/A	
KEY B, LIGHT GRAY, W/CPA	33472-2559	B-LG	GCP	PLR		M	R					5	6	7	8	9	10	11	12	13	14			16	17	18	19	20	SALEABLE		N/A	N/A	N/A	N/A	
KEY B, LIGHT GRAY, W/CPA	33472-2560	B-LG	GCP	PLR		M	R	1	2	3	4	5	6	7	8									16		17	18	19	20	SALEABLE		N/A	N/A	N/A	N/A
KEY A, BLACK, W/O CPA	33472-2561	A-BLK	GCP	PLR		M	R	1	2	3							10	11	12					16		19			SALEABLE		N/A	N/A	N/A	N/A	
KEY A, BLACK, W/O CPA	33472-2562	A-BLK	GCP	PLR		M	R		2	3							10												SALEABLE		N/A	N/A	N/A	N/A	
KEY A, BLACK, W/O CPA	33472-2563	A-BLK	GCP	PLR		M	R	1	2	3	4	5	6				8												SALEABLE		N/A	N/A	N/A	N/A	
KEY A, BLACK, W/O CPA	33472-2564	A-BLK	GCP	PLR		M	R	1									8												SALEABLE		N/A	N/A	N/A	N/A	
KEY A, BLACK, W/O CPA	33472-2565	A-BLK	GCP	PLR		M	R	1									6	7	8	9									SALEABLE		N/A	N/A	N/A	N/A	
KEY B, LIGHT GRAY, W/O CPA	33472-2566	B-LG	GCP	PLR		M	R					5	6														19			SALEABLE		N/A	N/A	N/A	N/A
KEY B, LIGHT GRAY, W/O CPA	33472-2567	B-LG	GCP	PLR		M	R				3																			SALEABLE		N/A	N/A	N/A	N/A
KEY A, BLACK, W/O CPA	33472-2568	A-BLK	GCP	PLR		M	R				3																			SALEABLE		N/A	N/A	N/A	N/A
KEY A, BLACK, W/O CPA	33472-2569	A-BLK	GCP	PLR		M	R																							SALEABLE		N/A	N/A	N/A	N/A
KEY A, BLACK, W/O CPA	33472-2570	A-BLK	GCP	PLR		M	R	1																						SALEABLE		N/A	N/A	N/A	N/A
KEY A, BLACK, W/O CPA	33472-2571	A-BLK	GCP	PLR		M	R	1																						SALEABLE		N/A	N/A	N/A	N/A
KEY A, BLACK, W/O CPA	33472-2572	A-BLK	GCP	PLR		M	R	1																						SALEABLE		N/A	N/A	N/A	N/A
KEY A, BLACK, W/O CPA	33472-2573	A-BLK	GCP	PLR		M	R	1																						SALEABLE		N/A	N/A	N/A	N/A
KEY A, BLACK, W/O CPA	33472-2574	A-BLK	GCP	PLR		M	R	1																						SALEABLE		N/A	N/A	N/A	N/A
KEY A, BLACK, W/O CPA	33472-2575	A-BLK	GCP	PLR		M	R	1																						SALEABLE		N/A	N/A	N/A	N/A
KEY A, BLACK, W/O CPA	33472-2576	A-BLK	GCP	PLR		M	R	1																						SALEABLE		N/A	N/A	N/A	N/A
KEY A, BLACK, W/O CPA	33472-2577	A-BLK	GCP	PLR		M	R	1																						SALEABLE		N/A	N/A	N/A	N/A
KEY A, BLACK, W/O CPA	33472-2578	A-BLK	GCP	PLR		M	R	1	2	3																				SALEABLE		N/A	N/A	N/A	N/A
KEY A, BLACK, W/O CPA	33472-2579	A-BLK	GCP	PLR		M	R	1	2	3																				SALEABLE		N/A	N/A	N/A	N/A
KEY A, BLACK, W/O CPA	33472-2580	A-BLK	GCP	PLR		M	R																							SALEABLE		N/A	N/A	N/A	N/A
KEY A, BLACK, W/O CPA	33472-2581	A-BLK	GCP	PLR		M	R																							SALEABLE		N/A	N/A	N/A	N/A
KEY A, BLACK, W/O CPA	33472-2582	A-BLK	GCP	PLR		M	R	1																						SALEABLE		N/A	N/A	N/A	N/A
KEY A, BLACK, W/O CPA	33472-2583	A-BLK	GCP	PLR		M	R	1																						SALEABLE		N/A	N/A	N/A	N/A
KEY A, BLACK, W/O CPA	33472-2584	A-BLK	GCP	PLR		M	R	1	2	3	4	5	6	7	8															SALEABLE		N/A	N/A	N/A	N/A
KEY A, BLACK, W/O CPA	33472-2585	A-BLK	GCP	PLR		M	R	1																						SALEABLE		N/A	N/A	N/A	N/A
KEY A, BLACK, W/O CPA	33472-2586	A-BLK	GCP	PLR		M	R	1																						SALEABLE		N/A	N/A	N/A	N/A
KEY A, BLACK, W/O CPA	33472-2587	A-BLK	GCP	PLR		M	R	1	2	3	4	5																		SALEABLE		N/A	N/A	N/A	N/A
KEY A, BLACK, W/O CPA	33472-2588	A-BLK	GCP	PLR		M	R	1																						SALEABLE		N/A	N/A	N/A	N/A
KEY A, BLACK, W/O CPA	33472-2589	A-BLK	GCP	PLR		M	R	1	2	3	4	5																		SALEABLE		N/A	N/A	N/A	N/A
KEY A, BLACK, W/O CPA	33472-2590	A-BLK	GCP	PLR		M	R		2	3	4																			SALEABLE		N/A	N/A	N/A	N/A
KEY A, BLACK, W/O CPA	33472-2591	A-BLK	GCP	PLR		M	R																							SALEABLE		N/A	N/A	N/A	N/A
KEY A, BLACK, W/O CPA	33472-2592	A-BLK	GCP	PLR		M	R																							SALEABLE		N/A	N/A	N/A	N/A
KEY A, BLACK, W/O CPA	33472-2593	A-BLK	GCP	PLR		M	R		2																					SALEABLE		N/A	N/A	N/A	N/A
KEY A, BLACK, W/O CPA	33472-2594	A-BLK	GCP	PLR		M	R																							SALEABLE		N/A	N/A	N/A	N/A
KEY A, BLACK, W/O CPA	33472-2595	A-BLK	GCP	PLR		M	R	1	2	3	4	5																		SALEABLE		N/A	N/A	N/A	N/A
KEY A, BLACK, W/O CPA	33472-2596	A-BLK	GCP	PLR		M	R	1																						SALEABLE		N/A	N/A	N/A	N/A
KEY A, BLACK, W/O CPA	33472-2597	A-BLK	GCP	PLR		M	R	1	2																					SALEABLE		N/A	N/A	N/A	N/A
KEY A, BLACK, W/O CPA	33472-2598	A-BLK	GCP	PLR		M	R	1																						SALEABLE		N/A	N/A	N/A	N/A
KEY A, BLACK, W/O CPA	33472-2599	A-BLK	GCP	PLR		M	R	1																						SALEABLE		N/A	N/A	N/A	N/A
KEY A, BLACK, W/O CPA	33472-2600	A-BLK	GCP	PLR		M	R	1	2																					SALEABLE		N/A	N/A	N/A	N/A
KEY A, BLACK, W/O CPA	33472-2601	A-BLK	GCP	PLR		M	R	1	2																										

TABLE OF CONTENTS	
SHEET NO.	SHEET DESCRIPTION
1	NOTES AND BOM
2	CONFIGURATIONS
3	SCHLEMMER BACKSHELL DETAIL
4	MOLEX BACKSHELL DETAIL

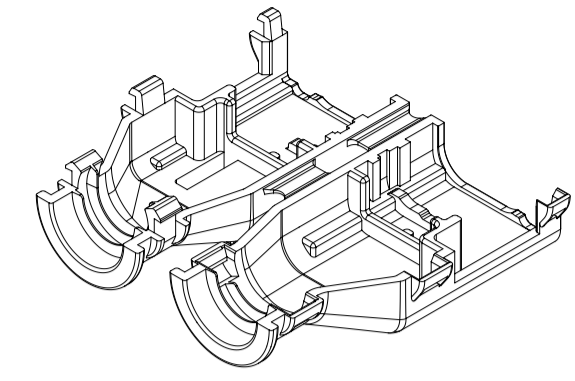
BACKSHELL NOTES: VALID UNLESS OTHERWISE SPECIFIED

1. GENERAL:
 - a. APPLICATION SPECIFICATION SEE: AS-34951-001
 - DESIGNED TO MATE WITH RECEPTACLE SEALED ASSEMBLY AS SPECIFIED IN SD-33472-0001.
 - COMPONENTS ARE OPTIONAL AND MUST BE PURCHASED SEPERATELY
 - b. MOLEX PRODUCT SPECIFICATION SEE: TBD
 - BACKSHELL DESIGN IS OWNED BY MOLEX.
 - c. OUTSOURCED MFG PRODUCT SPECIFICATION
 - BACKSHELL DESIGN IS OWNED BY SCHLEMMER.
 - THESE PRODUCTS ARE ONE TIME USE ONLY.
 - REMOVAL FORCE OF THE BACKSHELL FROM THE MOLEX CONNECTOR TO BE 100N MIN.
 - REMOVAL FORCE OF SLIT CONVOLUTE FROM THE WITH RIB OPTION BACKSHELLS TO BE 100N MIN.
 - REMOVAL FORCE OF UNSLIT CONVOLUTE FROM THE WITH RIB OPTION BACKSHELLS TO BE 100N MIN.
 - d. PACKAGING SPECIFICATION: SEE BOM
 - e. PARTS MUST BE IN COMPLIANCE TO MOLEX CHEMICAL SUBSTANCES FOR PRODUCTS AND PACKAGING SPECIFICATION: QEHS-699000-300
 - f. DATA MUST BE SUBMITTED UNDER THE MOLEX PART NUMBER TO IMDS (COMPANY ID#13255)
 - g. FOLLOWING PRODUCTION CODES TO BE PRESENT
 - DATE CODE
 - MOLD CAVITY CODE
 - MOLEX LOGO
 - RECYCLE CODE
 - SUPPLIER PART NUMBER - SCHLEMMER PARTS ONLY
 - h. CONNECTOR MUST HAVE CLIPSLOT FEATURE FOR USE WITH MOLEX BACKSHELLS

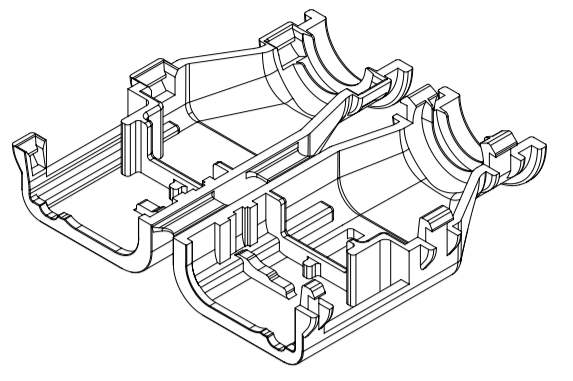
2. DESIGN - MATERIALS:
 - a. PA66 0% GLASS FILLED
 - b. BLACK

3. DESIGN GEOMETRY:
 - a. THIS IS A 100% CAD GENERATED PART. THE CAD MATHEMATICAL DATA IS THE MASTER FOR THIS PART. FOR DIMENSIONAL OR ANY INFORMATION NOT SHOWN ON THIS DRAWING, ANALYZE THE CAD MODEL.
 - b. GEOMETRIC DIMENSIONS AND TOLERANCES PER ASME Y14.5M - 2009.
 - c. CORNERS SHOWN AS SHARP TO BE R 0.1.
 - d. VISUAL DEFECTS SHALL MEET COSMETIC STANDARD PS-45499-002 (CLASS C).
 - e. ALLOWABLE FLASH, PARTING LINES MISMATCH, EJECTOR PINS MARK, AND GATE VESTIGE TO BE +0.30 MAX PROTUSION.

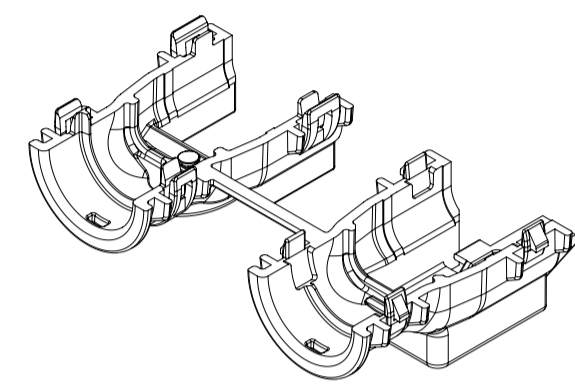
BILL OF MATERIALS (BOM)								
DESCRIPTION	PART NUMBER	CIRCUIT SIZE	COLOR	RIBS	CONVOLUTE SIZE	PACKAGING DRAWING NUMBER	STATUS	MANUFACTURER
2X3, WITH RIB	34951-0610	2X3	BLACK	YES	9 mm DELPHI	PK-31302-118	SALEABLE	OUTSOURCED MFG
2X3, WITHOUT RIB	34951-0620	2X3	BLACK	NO	9 mm DELPHI	PK-31302-118	SALEABLE	OUTSOURCED MFG
2X4, WITH RIB	34951-0811	2X4	BLACK	YES	NW 12 SCHLEMMER	349509000 PDD	SALEABLE	MOLEX
2X4, WITHOUT RIB	34951-0821	2X4	BLACK	NO	NW 12 SCHLEMMER	349509000 PDD	SALEABLE	MOLEX
2X6, WITH RIB	34951-1210	2X6	BLACK	YES	13 mm DELPHI	PK-31302-118	SALEABLE	OUTSOURCED MFG
2X6, WITHOUT RIB	34951-1220	2X6	BLACK	NO	13 mm DELPHI	PK-31302-118	SALEABLE	OUTSOURCED MFG
2X8, WITH RIB	34951-1611	2X8	BLACK	YES	NW 16 SCHLEMMER	349509000 PDD	SALEABLE	MOLEX
2X8, WITHOUT RIB	34951-1621	2X8	BLACK	NO	NW 16 SCHLEMMER	349509000 PDD	SALEABLE	MOLEX
2X10, WITH RIB	34951-2011	2X10	BLACK	YES	NW 16 SCHLEMMER	349509000 PDD	SALEABLE	MOLEX
2X10, WITHOUT RIB	34951-2021	2X10	BLACK	NO	NW 16 SCHLEMMER	349509000 PDD	SALEABLE	MOLEX



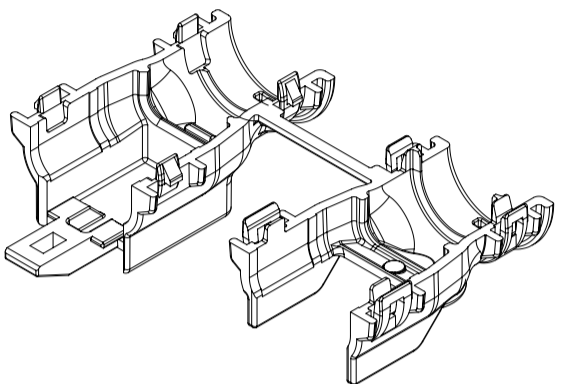
2X3 RECEPTACLE



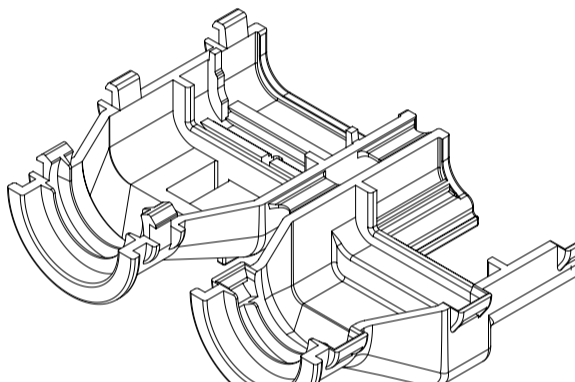
2X4 RECEPTACLE



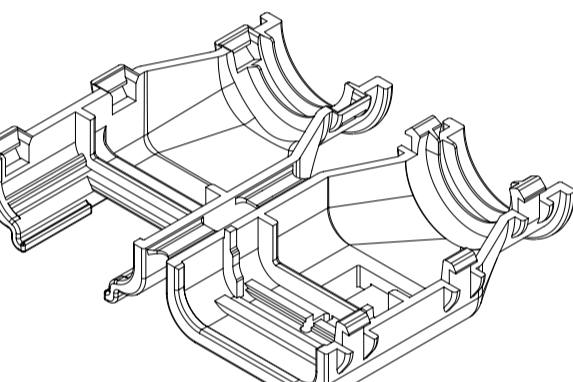
2X6 RECEPTACLE



2X8 RECEPTACLE



2X10 RECEPTACLE



B10	ADDED BALLOON NUMBER TO PAGE 3 -SCHLEMMER PAGE
B9	CHANGED PARTS STATUS TO SALEABLE
B8	ADDED BALLOON NO. 90
B7	UPDATED BALLOON NUMBERS
B6	UPDATED RIB AND WEDGE FEATURES
B3	UPDATED TOLERANCES
B2	ADDED BALLOONS & UPDATED BOM
B1	ADDED MOLEX PART NUMBERS
B	MIGRATION
A6	UPDATED BILL OF MATERIALS
A5	UPDATED STATUS COLUMN
A4	MINOR NOMENCLATURE CLEAN UP
A3	UPDATED VIEWSET & NOTES
A2	UPDATED REFERENCE DRAWINGS
A1	UPDATED NOTES
A	INITIAL RELEASE
REV	REV DESCRIPTION

INSPECTION NUMBER LOG	
LAST NUMBER:	1 - 5
ADDED:	40 42 44 46 48 49 89 90
REMOVED:	40 44

THIS DRAWING CONTAINS INFORMATION THAT IS PROPRIETARY TO MOLEX ELECTRONIC TECHNOLOGIES, LLC AND SHOULD NOT BE USED WITHOUT WRITTEN PERMISSION

EC NO: 632862 DRWN: PPALLAN CHKD: MVANSLAMBROU APPR: MVANSLAMBROU	2020/02/20 2020/02/26 2020/02/26	GENERAL TOLERANCES (UNLESS SPECIFIED) DIMENSION UNITS: mm SCALE: 1:1 DRWN BY: DAHALL DATE: 2013/03/27 CHK'D BY: [blank] DATE: [blank]	<p>MX150 DUAL ROW RECPT BACKSHELLS</p> <p>PRODUCT CUSTOMER DRAWING</p>
	4 PLACES ± 3 PLACES ± 2 PLACES ± 0.1 1 PLACE ± 0.2 0 PLACES ±	APPR BY: VKOSHY DATE: 2013/04/08	
	DRAFT WHERE APPLICABLE MUST REMAIN WITHIN DIMENSIONS	DRAWING SIZE: A1 THIRD ANGLE PROJECTION	
	SERIES: 34951 MATERIAL NUMBER: [blank] CUSTOMER: GENERAL MARKET		
B10		DOCUMENT NUMBER: SD-34951-0001 DOC TYPE: PSD DOC PART: 001 SHEET NUMBER: 1 OF 4	

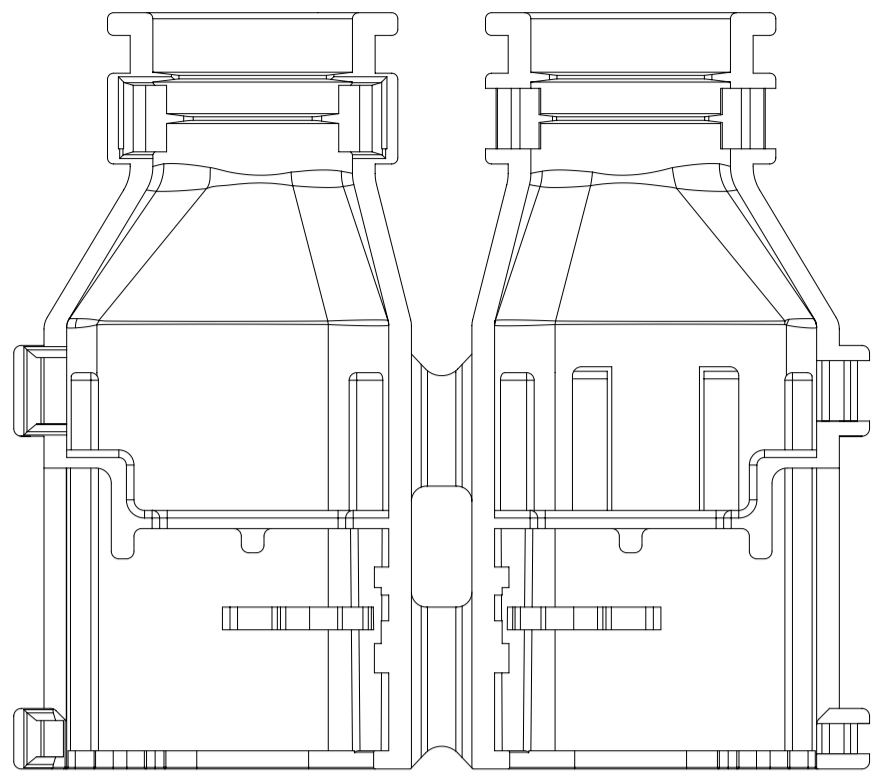
SHEET DESCRIPTION
CONFIGURATIONS

WITH RIB

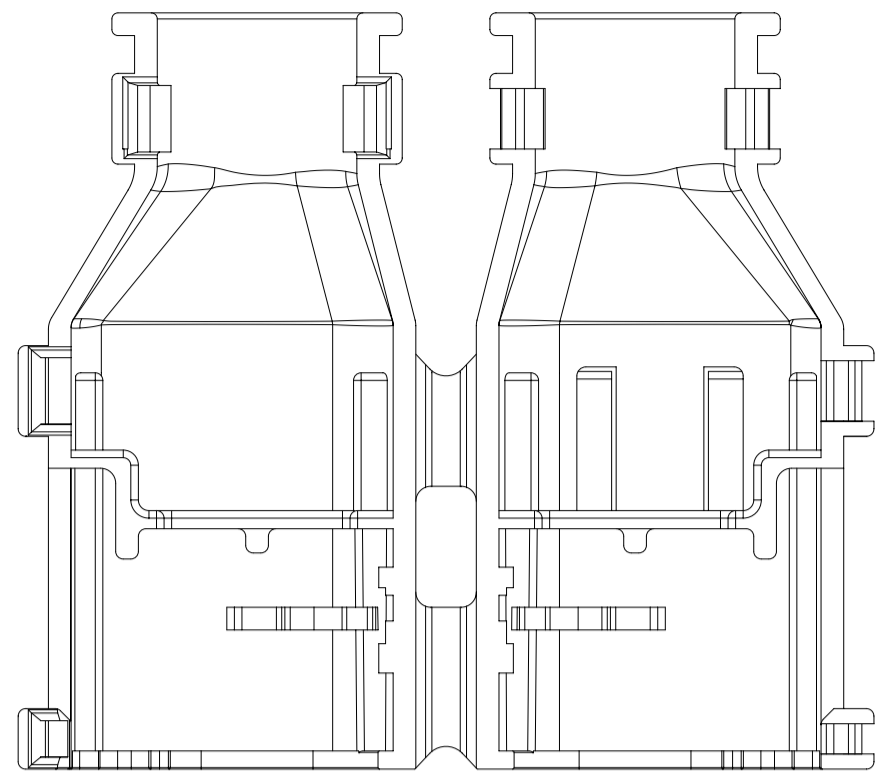
WITHOUT RIB

WITH RIB

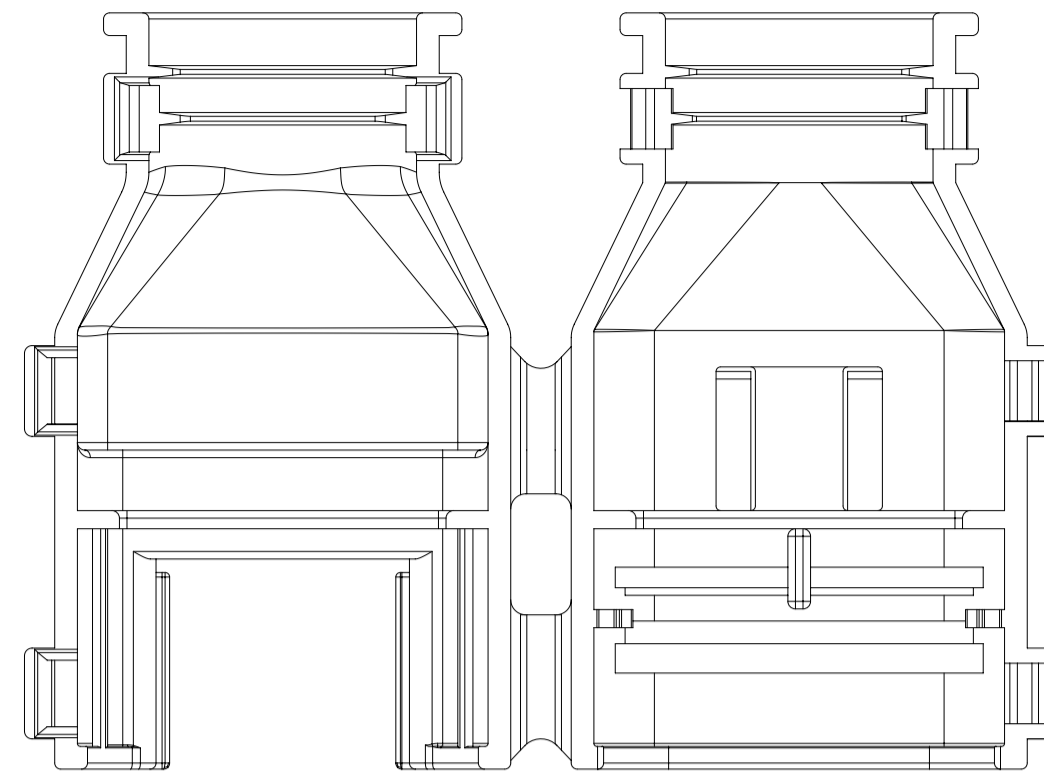
WITHOUT RIB



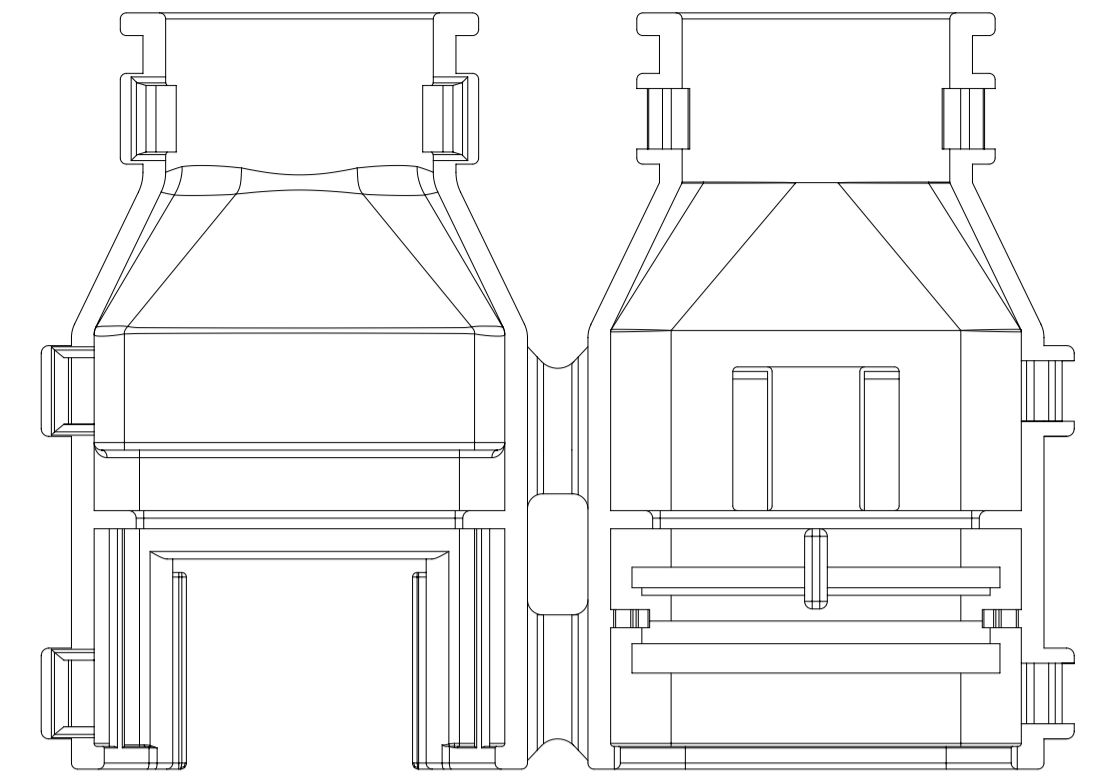
2X3
SCHLEMMER



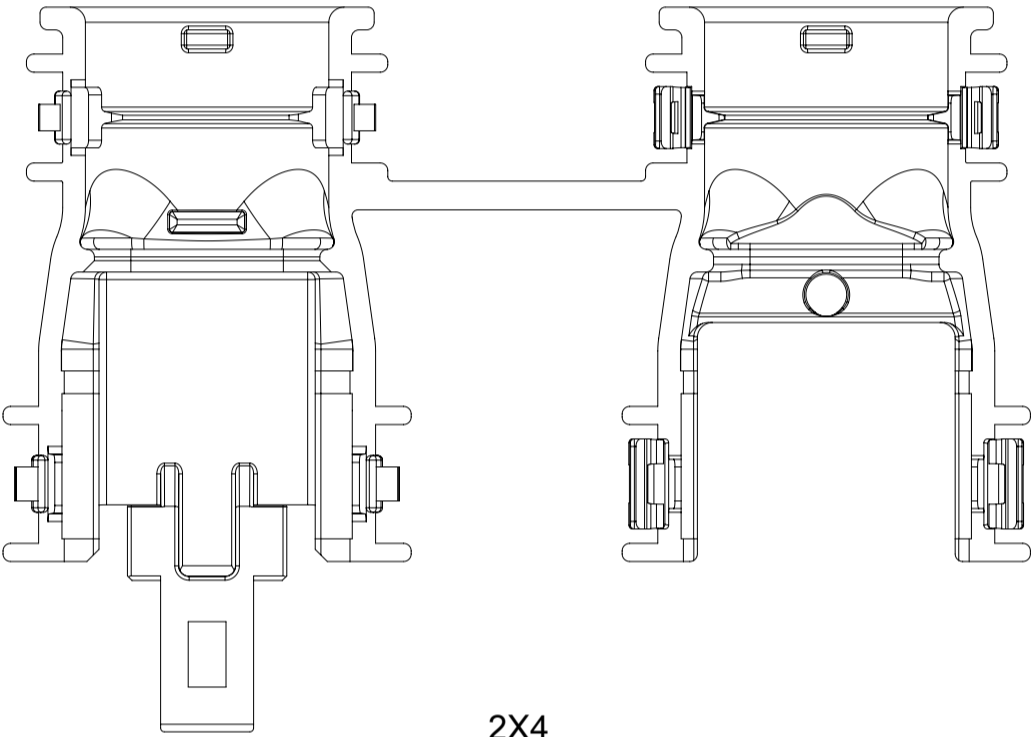
2X3
SCHLEMMER



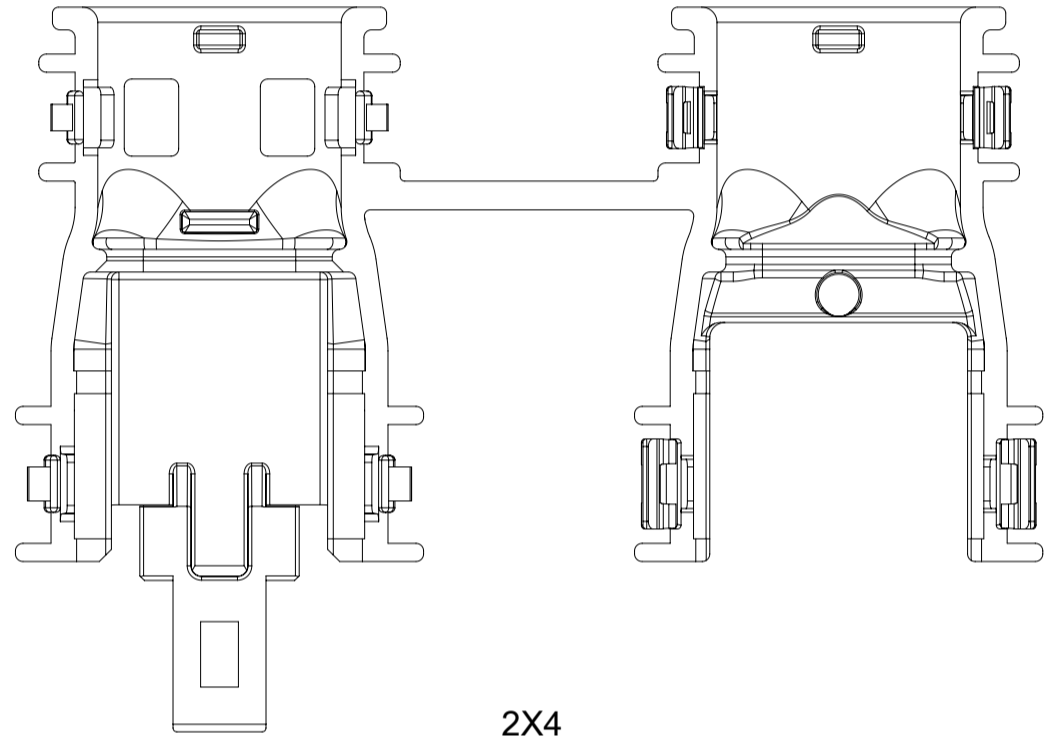
2X6
SCHLEMMER



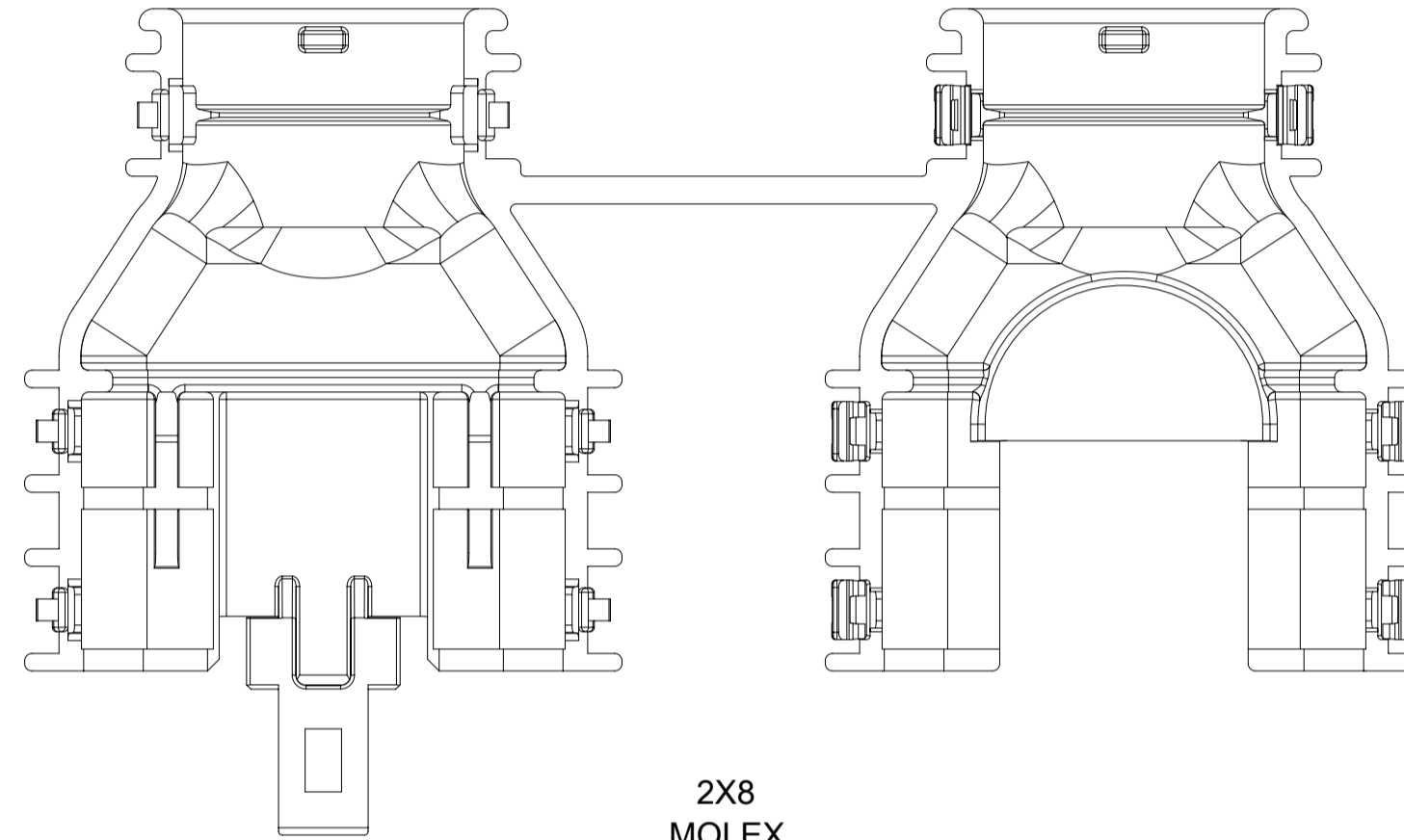
2X6
SCHLEMMER



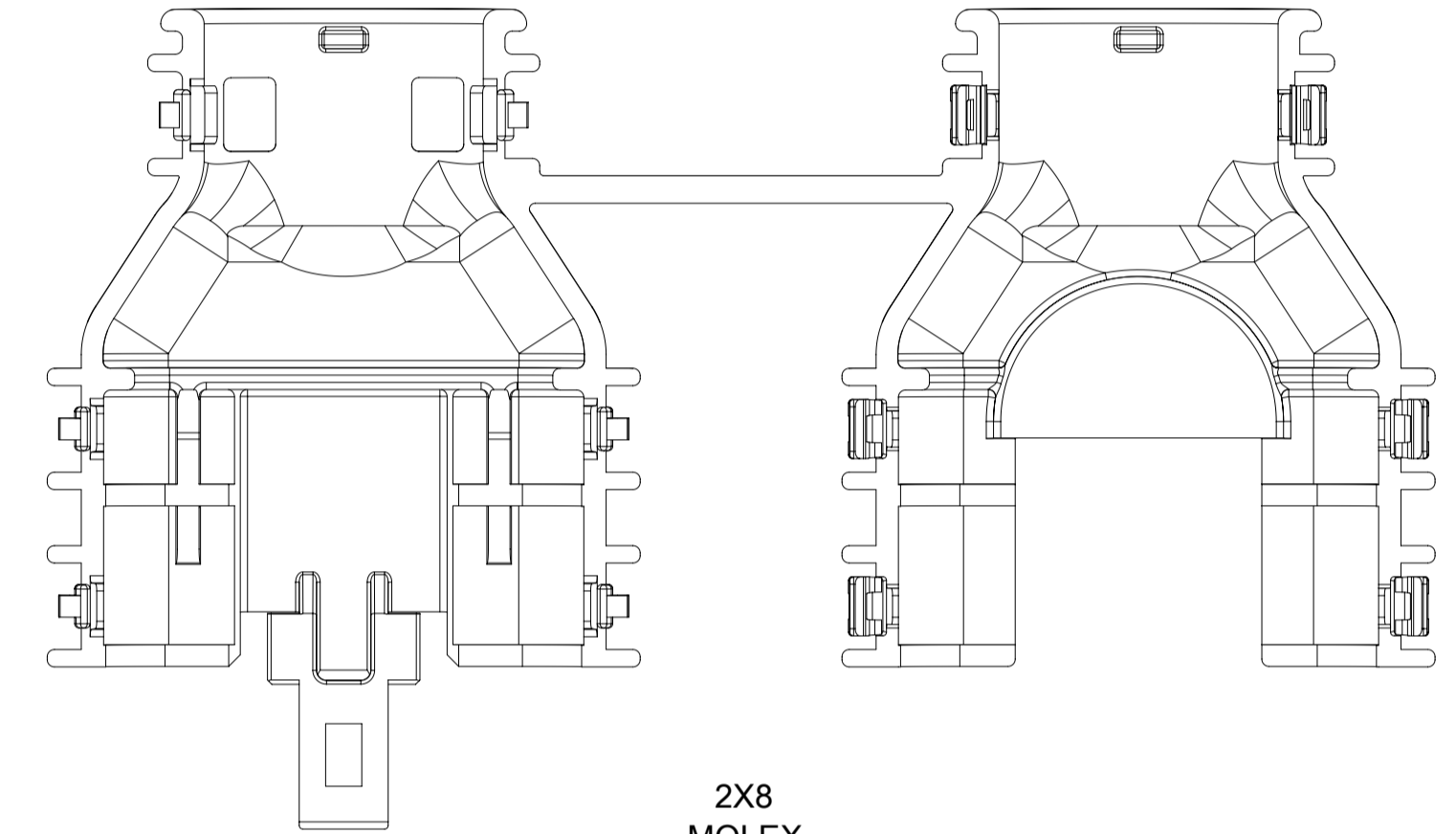
2X4
MOLEX



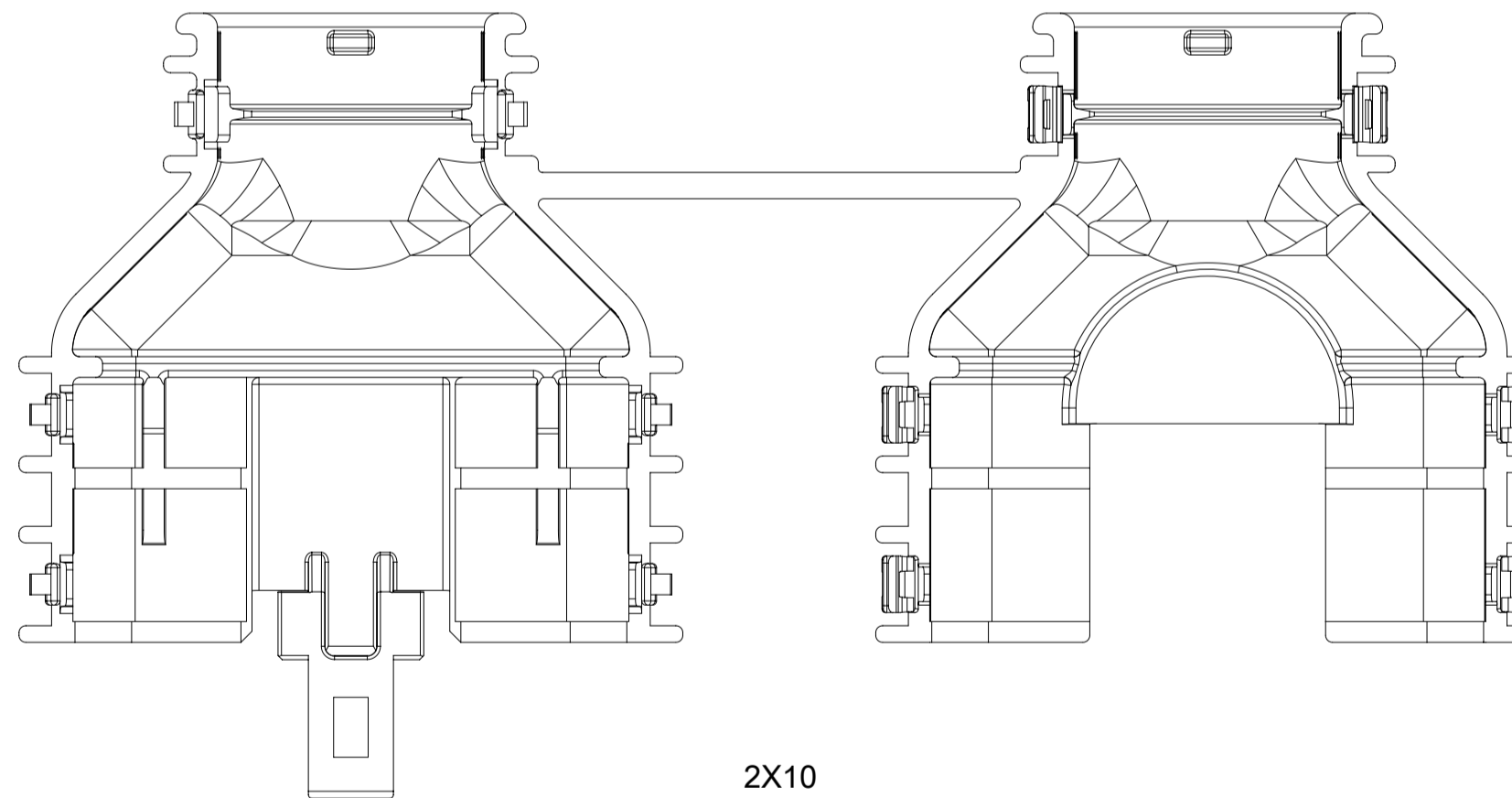
2X4
MOLEX



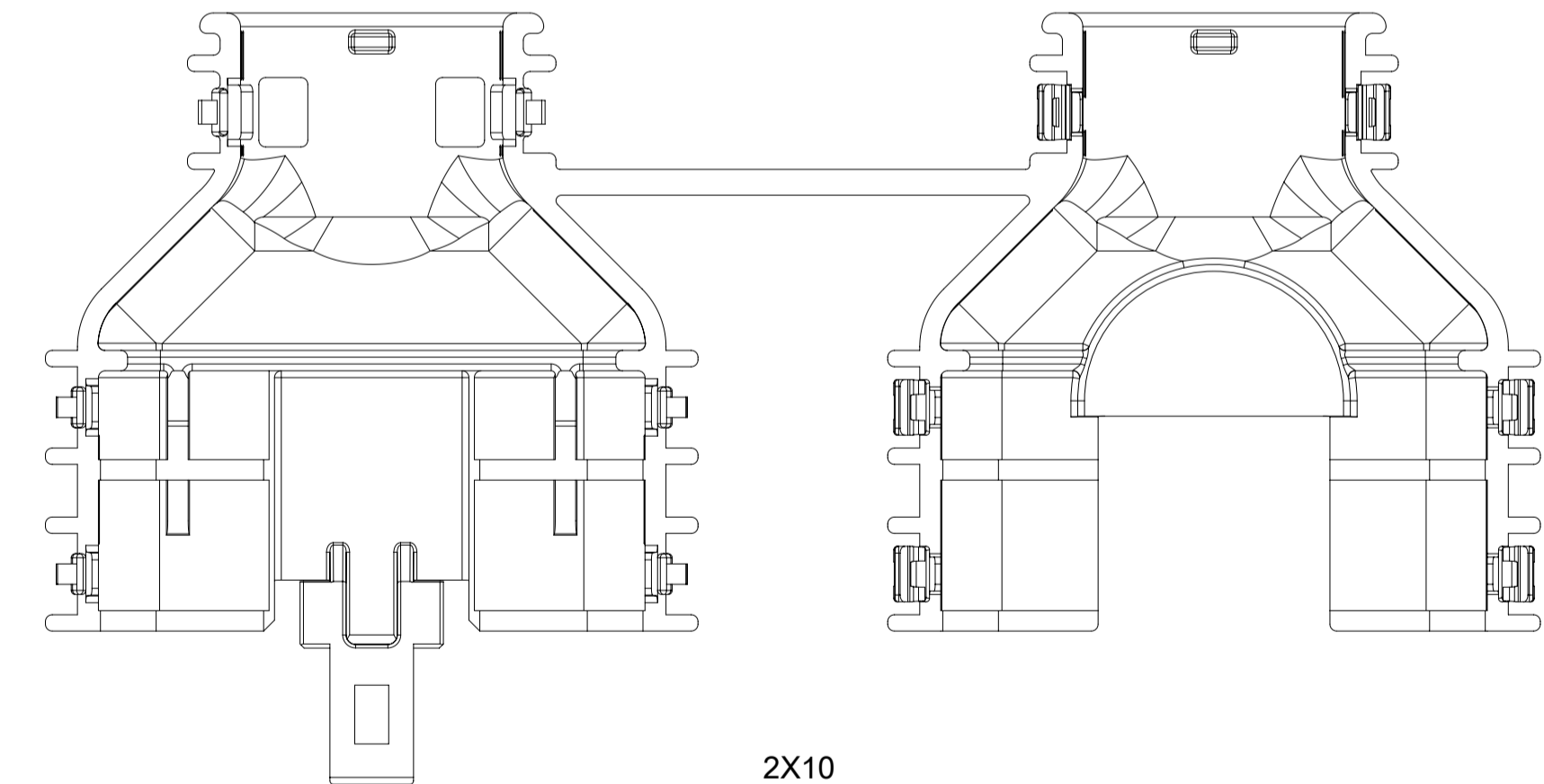
2X8
MOLEX



2X8
MOLEX



2X10
MOLEX



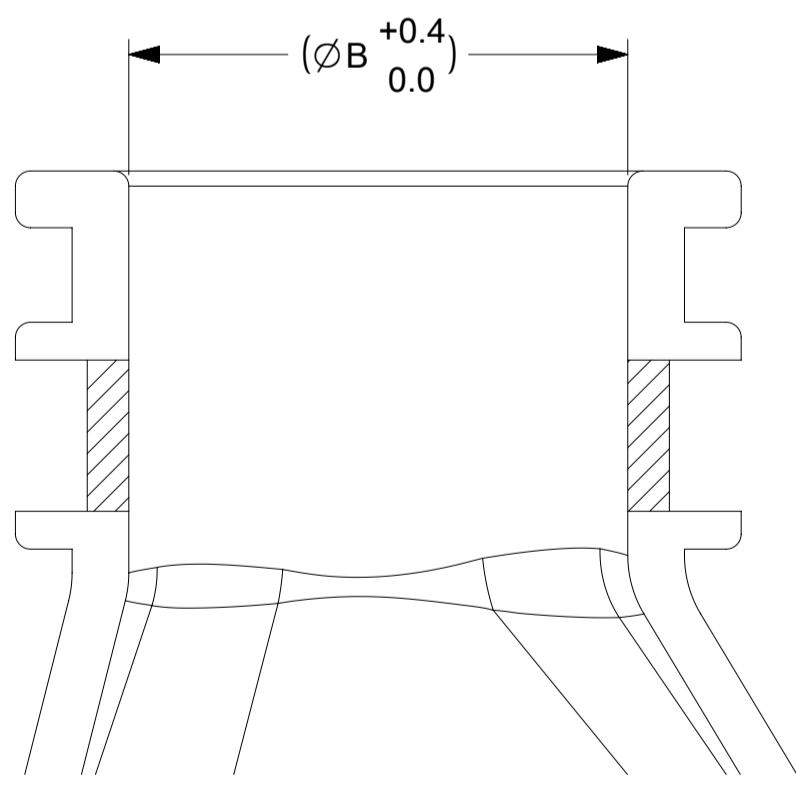
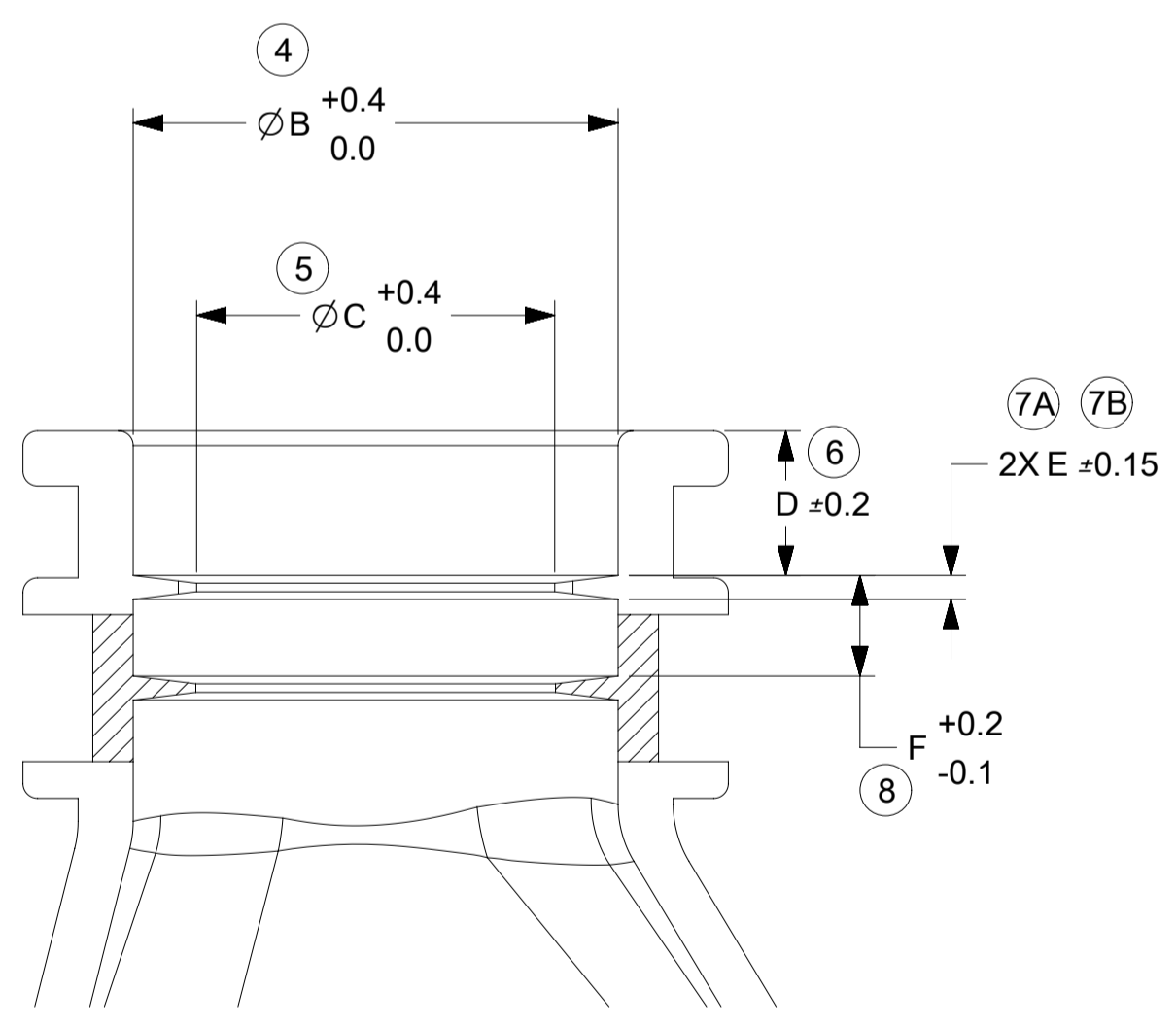
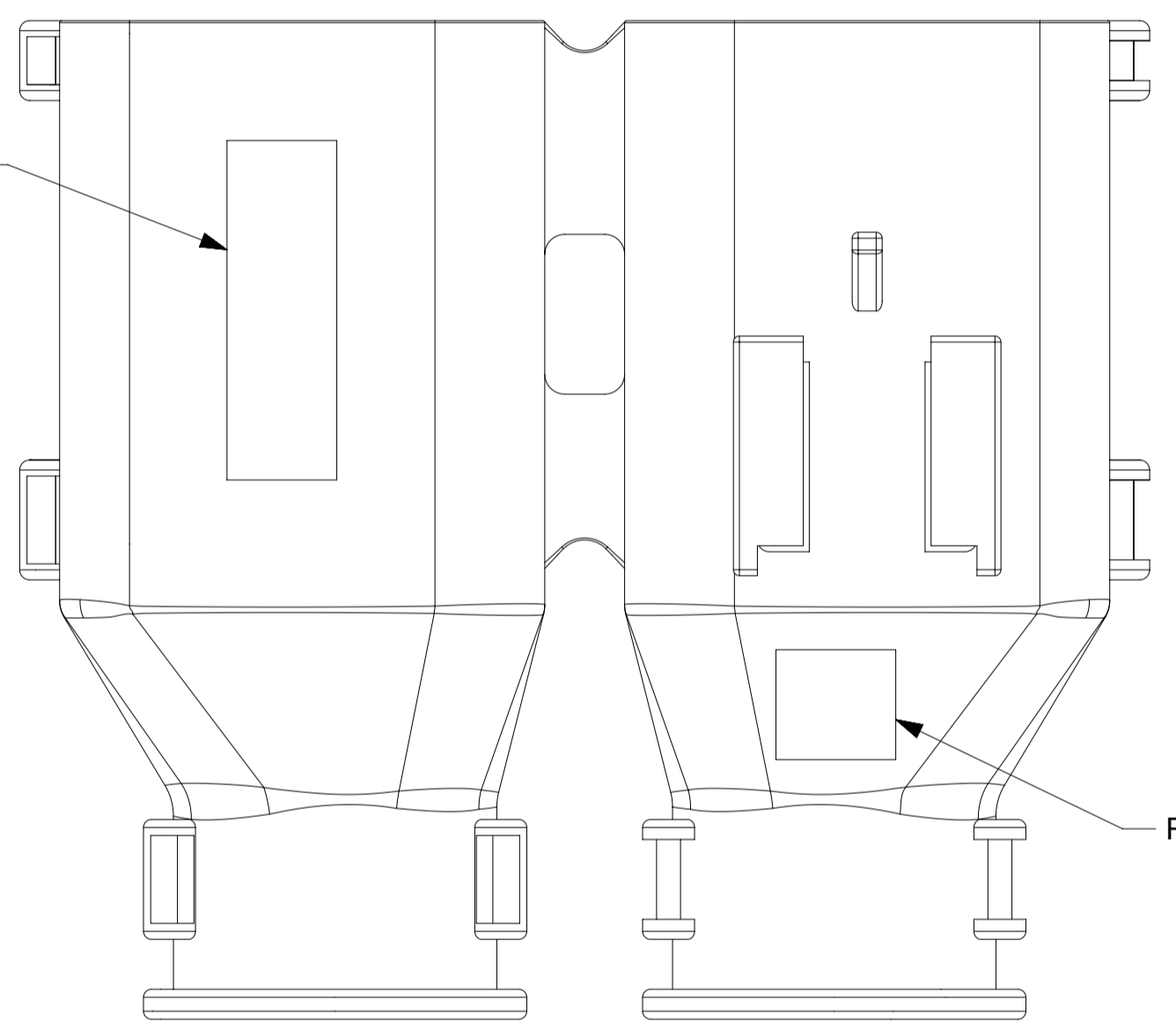
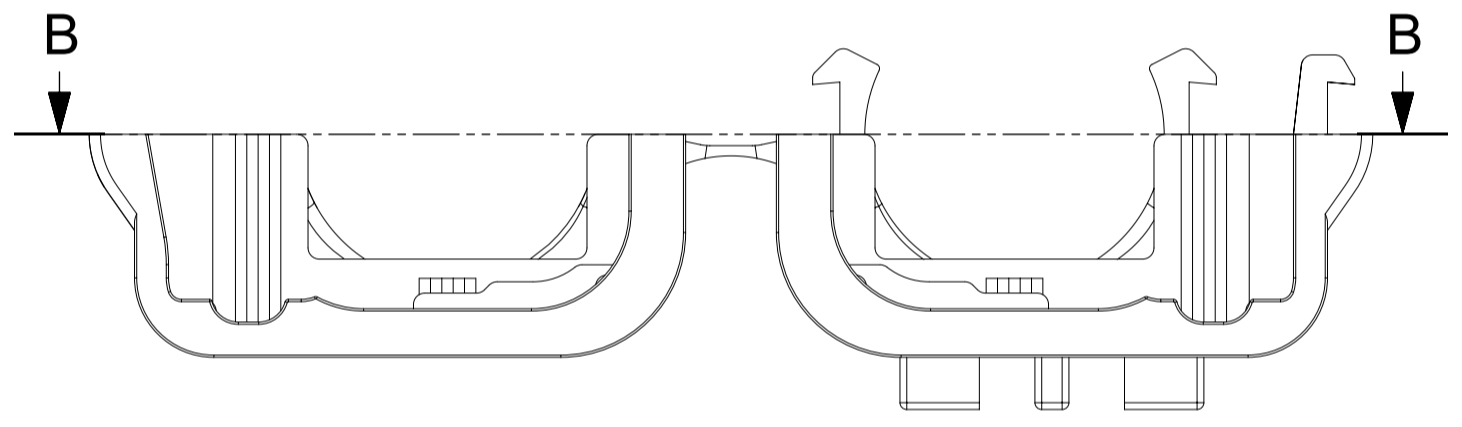
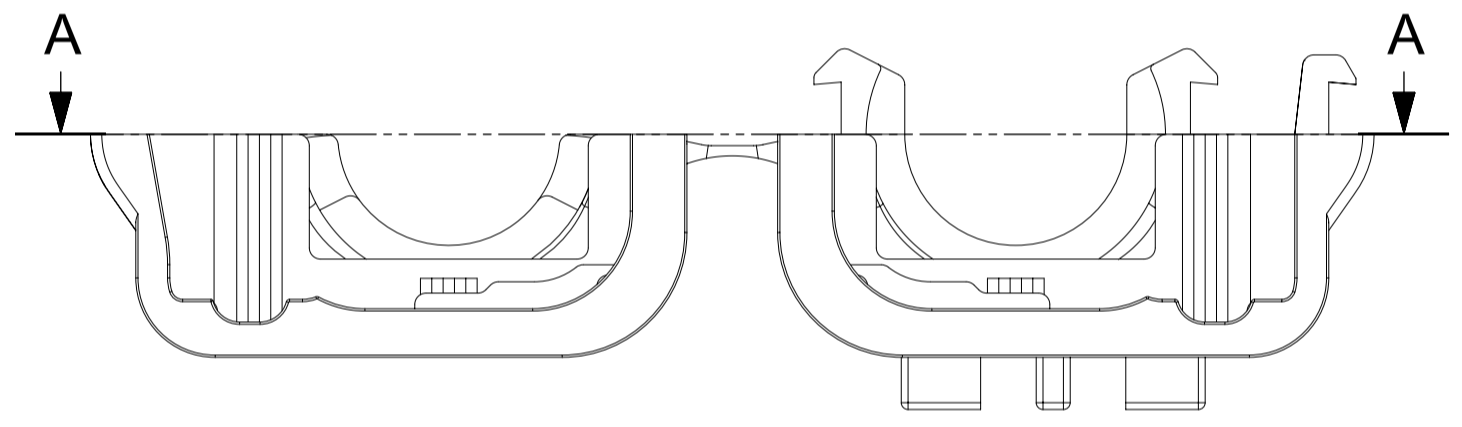
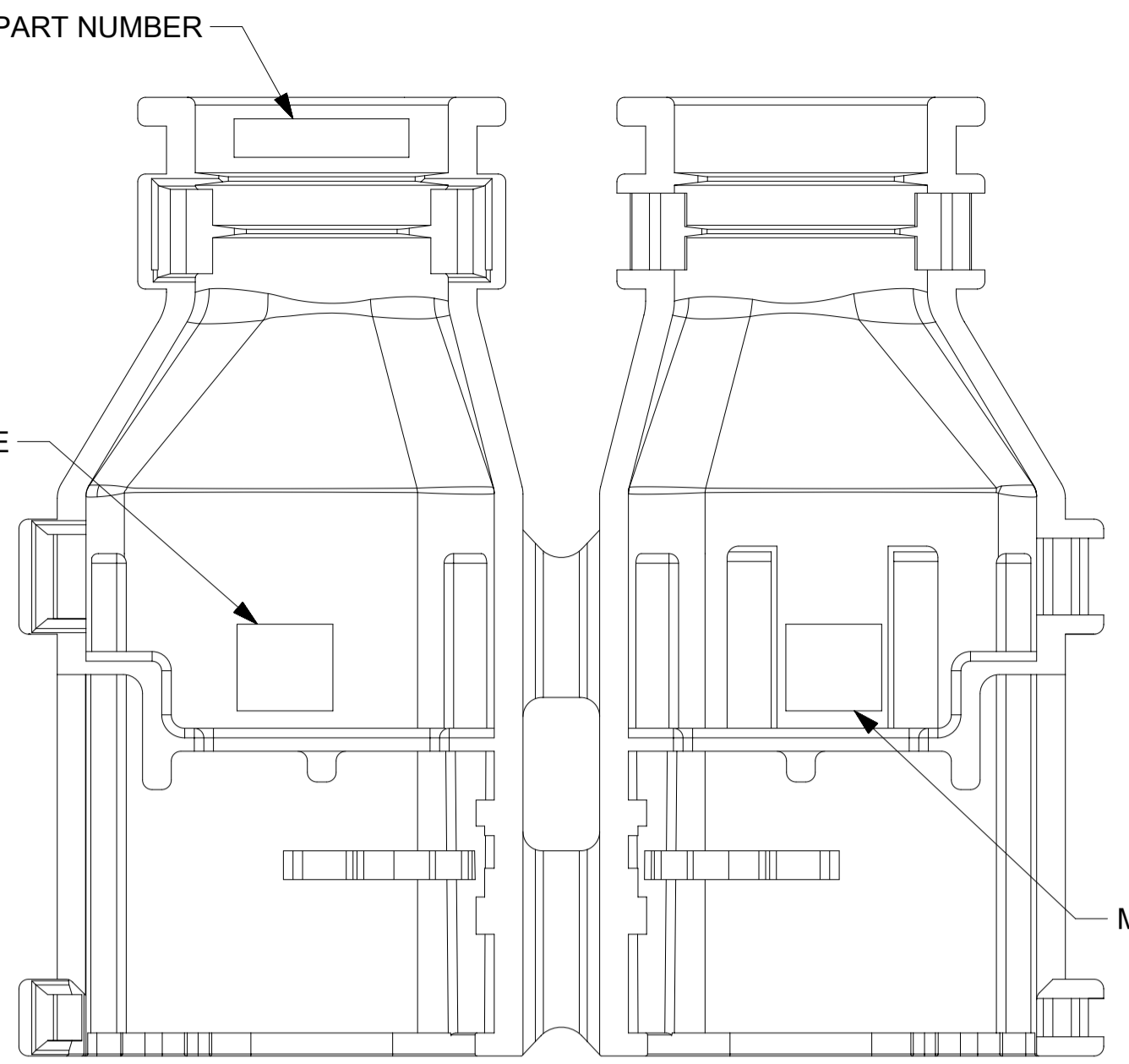
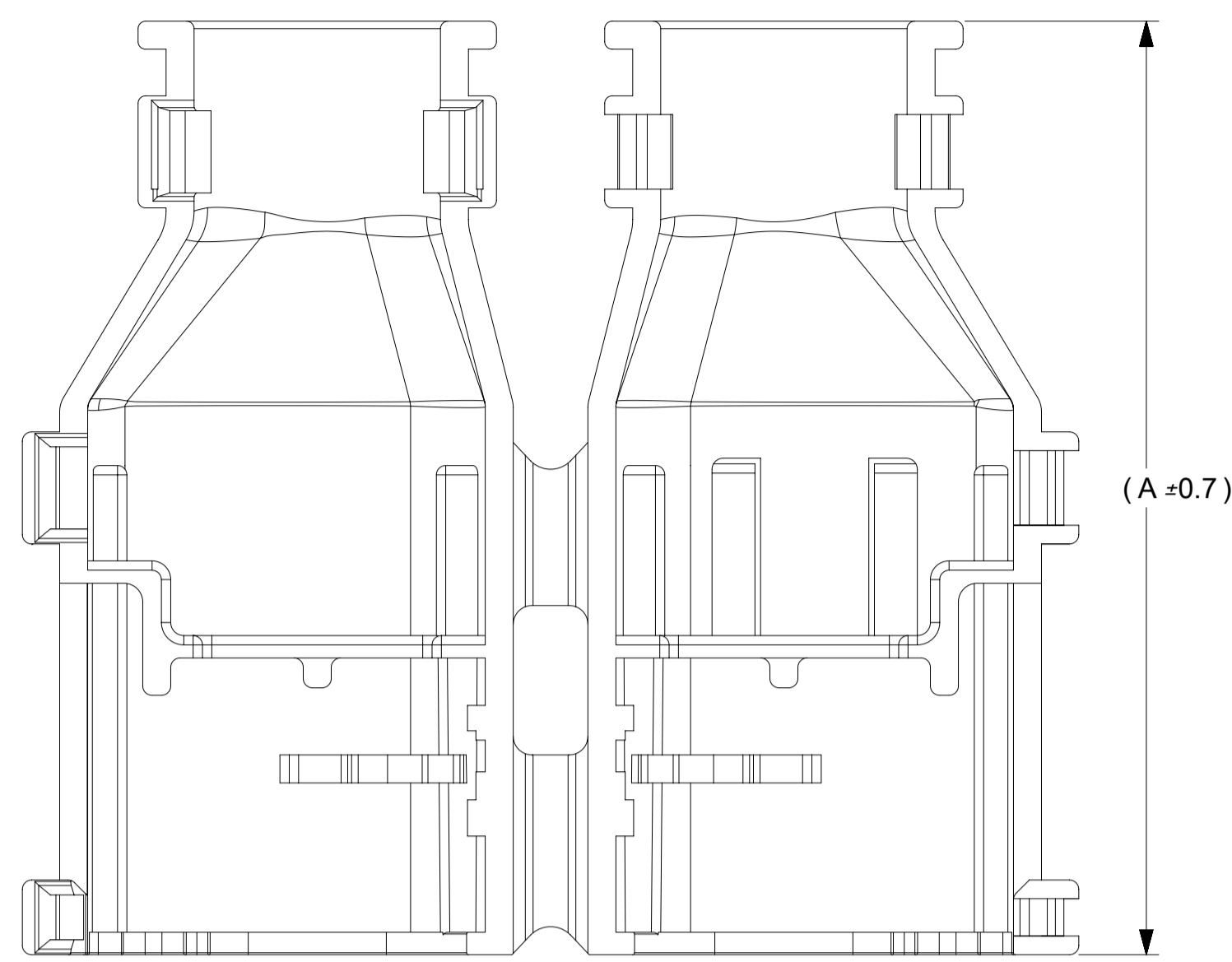
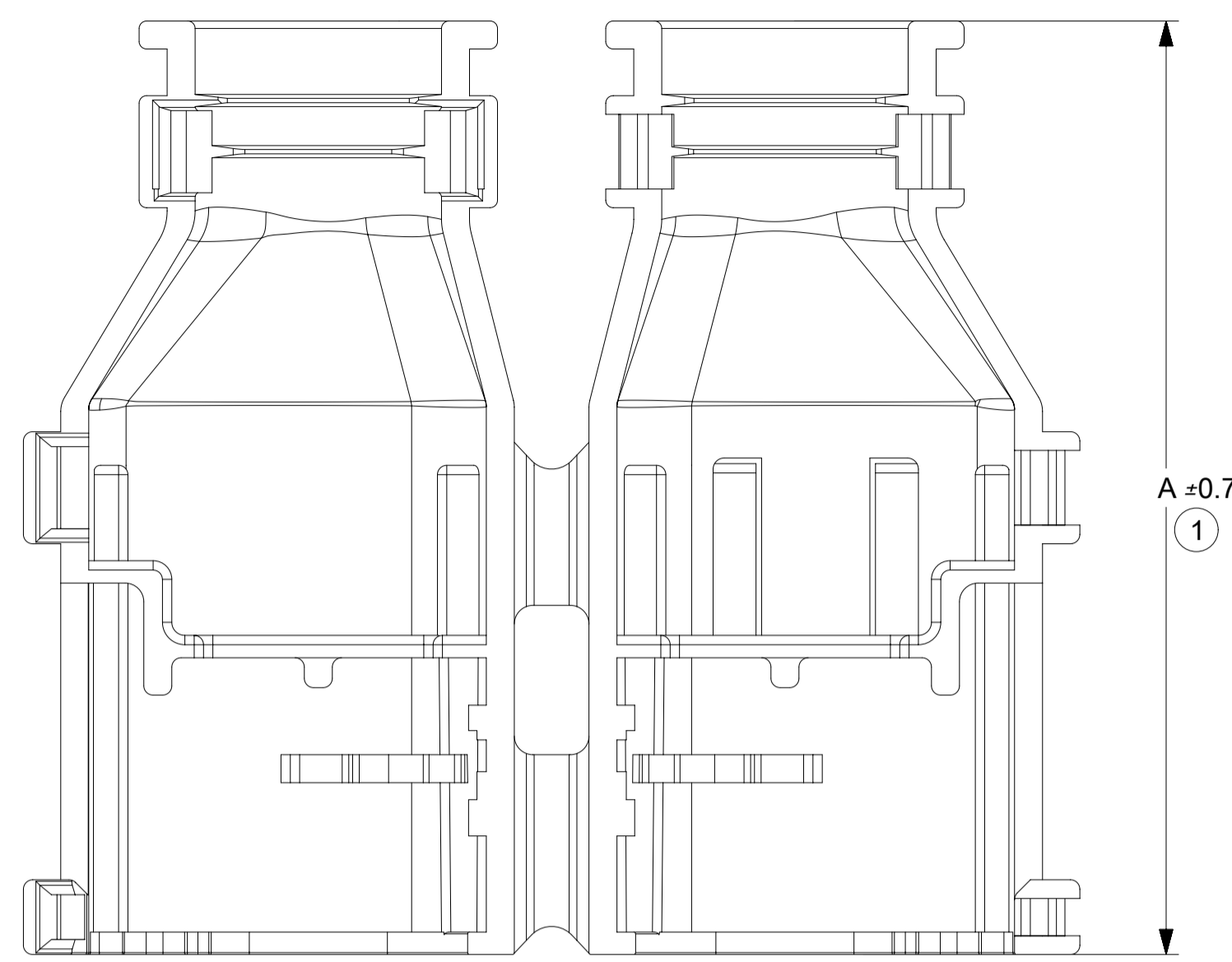
2X10
MOLEX

THIS DRAWING CONTAINS INFORMATION THAT IS PROPRIETARY TO MOLEX ELECTRONIC TECHNOLOGIES, LLC AND SHOULD NOT BE USED WITHOUT WRITTEN PERMISSION

EC NO: 632862 DRWN: PPALLAN CHKD: MVANSLAMBROU APPR: MVANSLAMBROU	2020/02/20 2020/02/26 2020/02/26	GENERAL TOLERANCES (UNLESS SPECIFIED) DIMENSION UNITS: mm SCALE: 2:1	DRWN BY: DAHALL DATE: 2013/03/27		
	ANGULAR TOL ± 3.0 °	CHK'D BY: VKOSHY DATE: 2013/04/08	MX150 DUAL ROW RECPT BACKSHELLS		
	4 PLACES ± 3 PLACES ± 2 PLACES ± 0.1 1 PLACE ± 0.2 0 PLACES ±	DRAFT WHERE APPLICABLE MUST REMAIN WITHIN DIMENSIONS	DRAWING SIZE: A1 THIRD ANGLE PROJECTION		PRODUCT CUSTOMER DRAWING
	SERIES: 34951 MATERIAL NUMBER: SD-34951-0001 DOCUMENT NUMBER: PSD	CUSTOMER: GENERAL MARKET SHEET NUMBER: 2 OF 4	DOC TYPE: 001		

SHEET DESCRIPTION
SCHLEMMER BACKSHELL DETAIL

DESCRIPTION	CHARTED DIMENSION					
	A	B	C	D	E	F
2X3, WITH RIB	50.00	13.20	9.75	3.93	0.65	2.74
2X3, WITHOUT RIB	50.00	13.20	N/A	N/A	N/A	N/A
2X4, WITH RIB	TBD	TBD	TBD	TBD	TBD	TBD
2X4, WITHOUT RIB	TBD	TBD	TBD	TBD	TBD	TBD
2X6, WITH RIB	50.00	17.70	13.60	3.50	0.83	3.10
2X6, WITHOUT RIB	50.00	17.70	N/A	N/A	N/A	N/A



PARTIAL SECTION A-A
SCALE 5:1
WITH RIBS

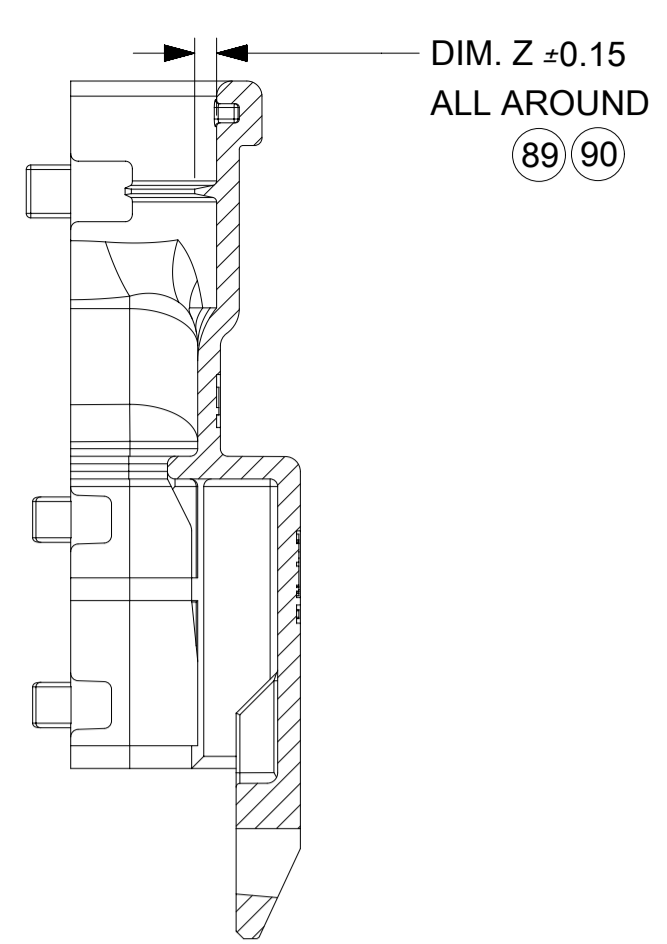
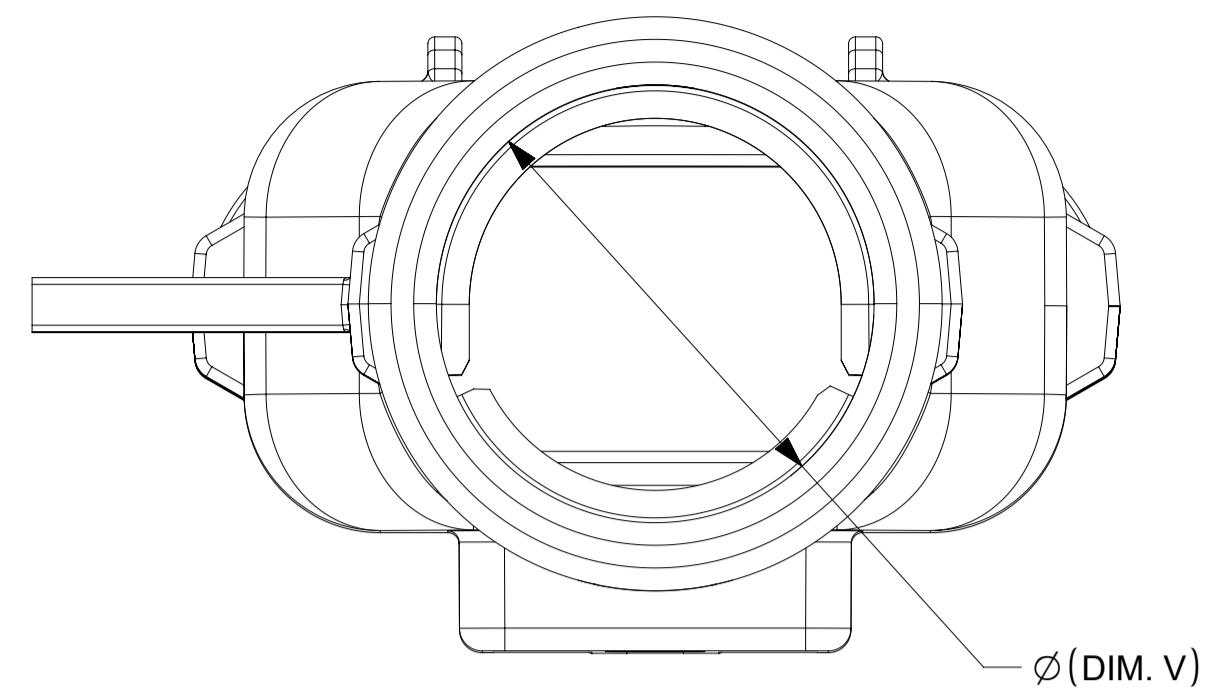
PARTIAL SECTION B-B
SCALE 5:1
WITHOUT RIBS

THIS DRAWING CONTAINS INFORMATION THAT IS PROPRIETARY TO MOLEX ELECTRONIC TECHNOLOGIES, LLC AND SHOULD NOT BE USED WITHOUT WRITTEN PERMISSION

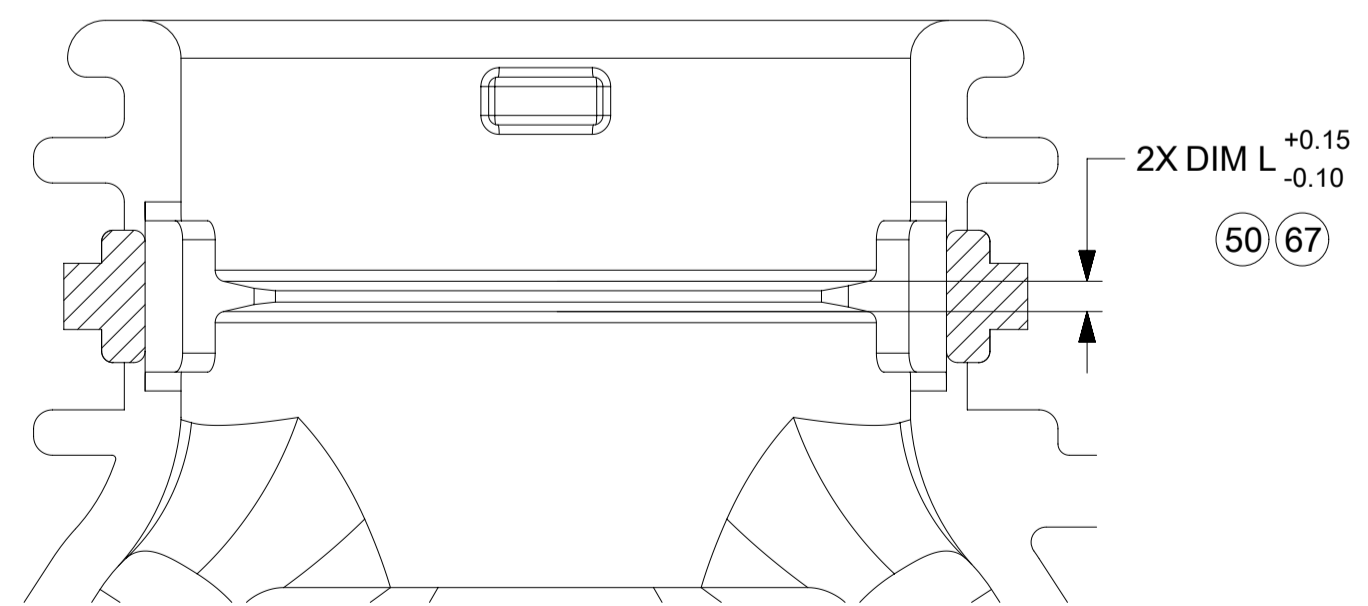
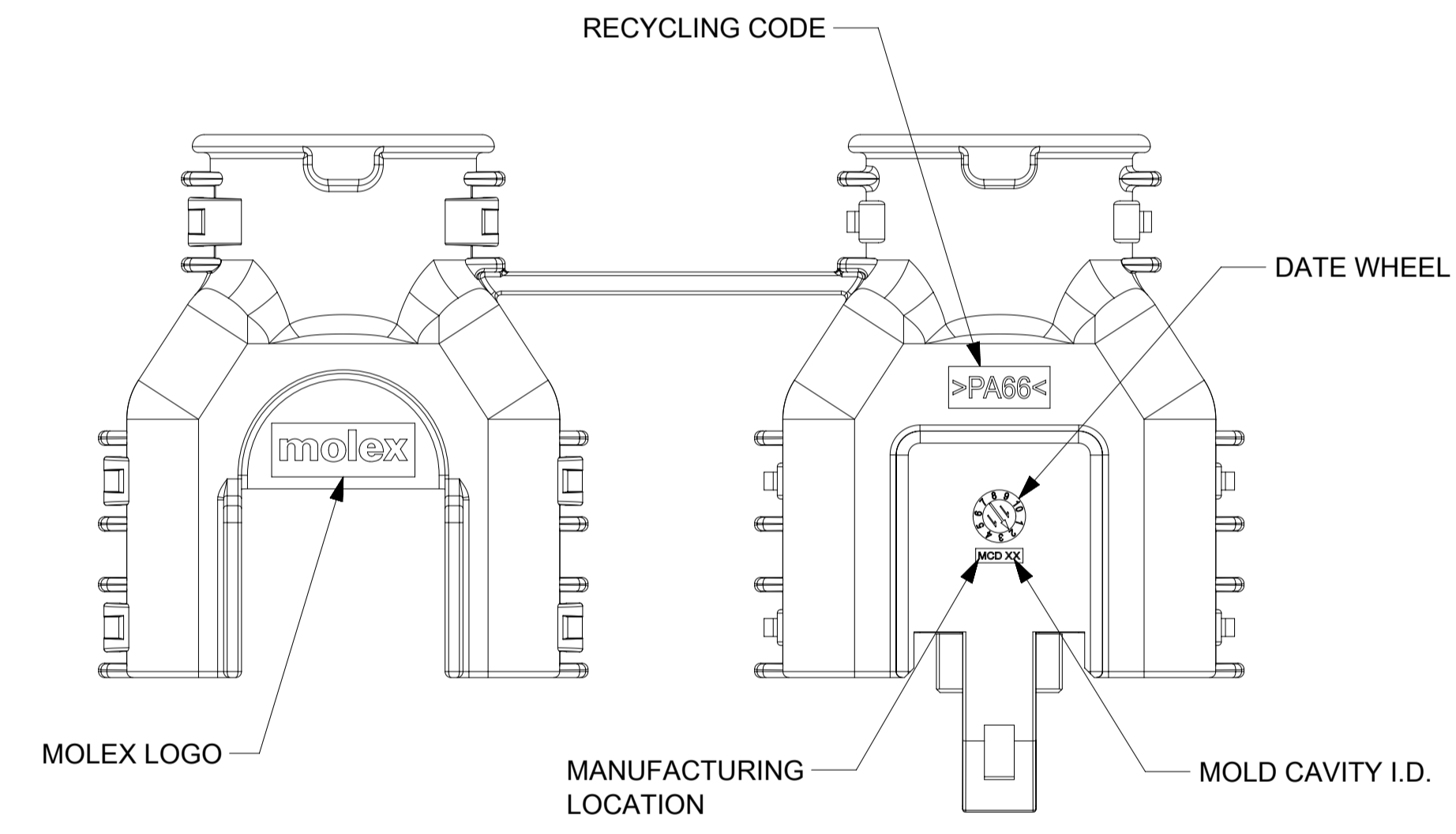
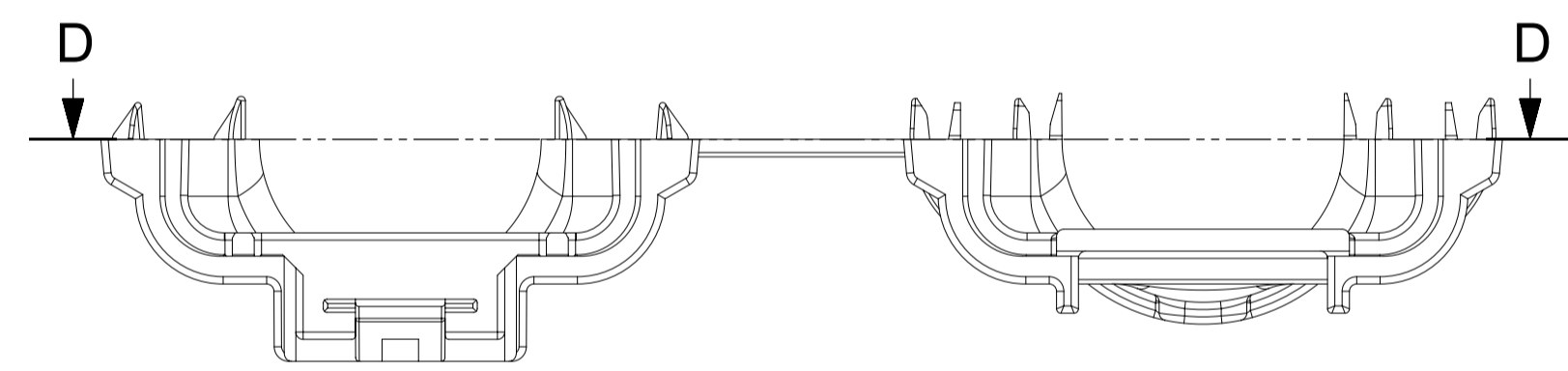
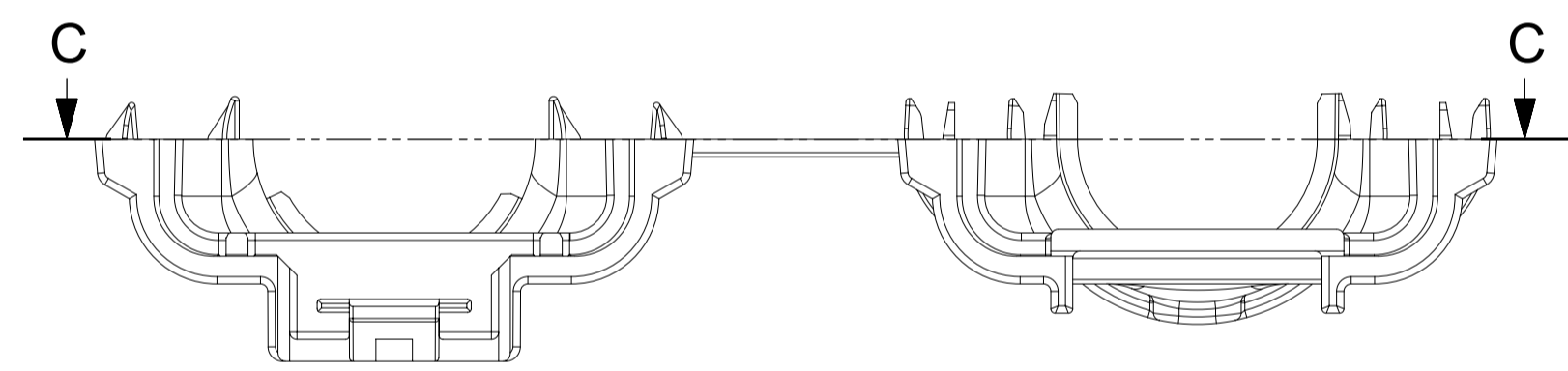
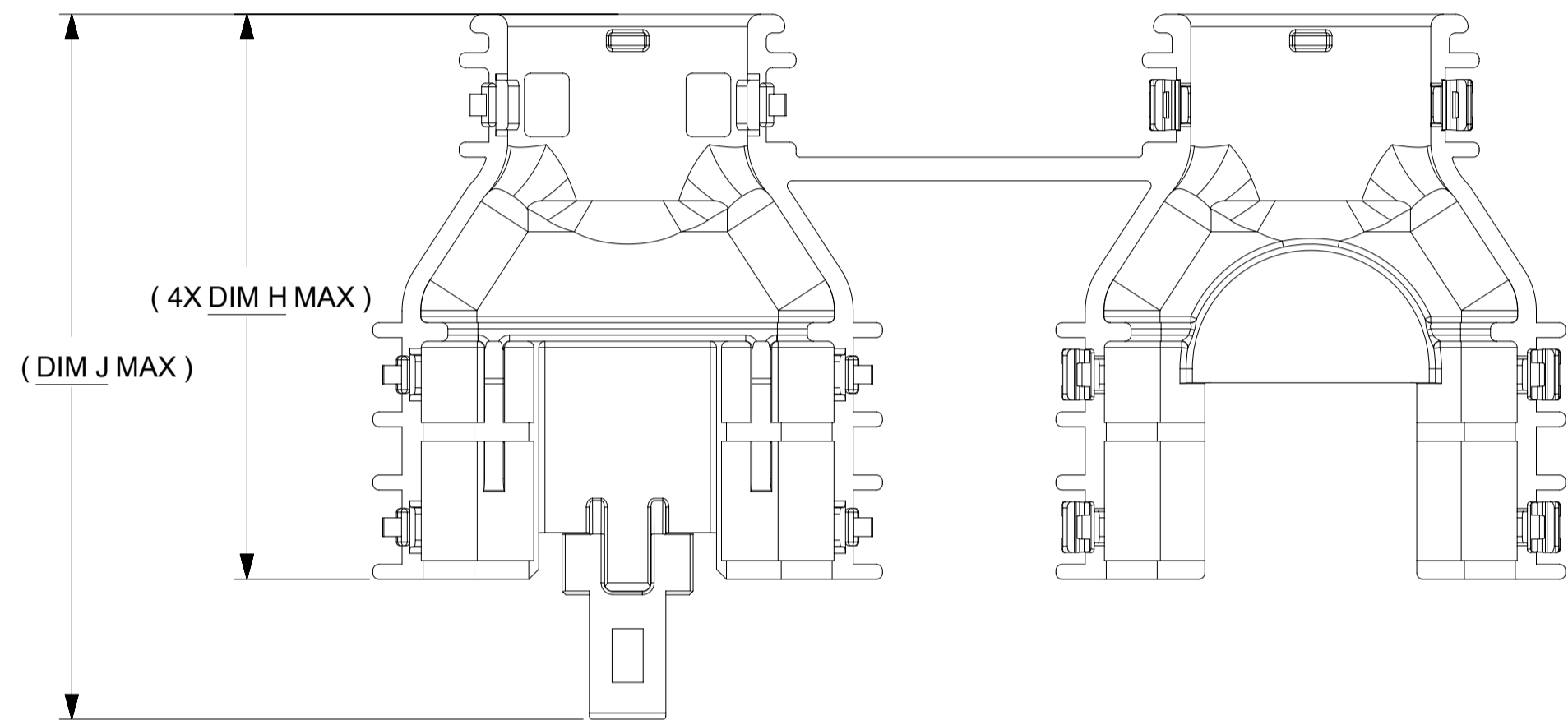
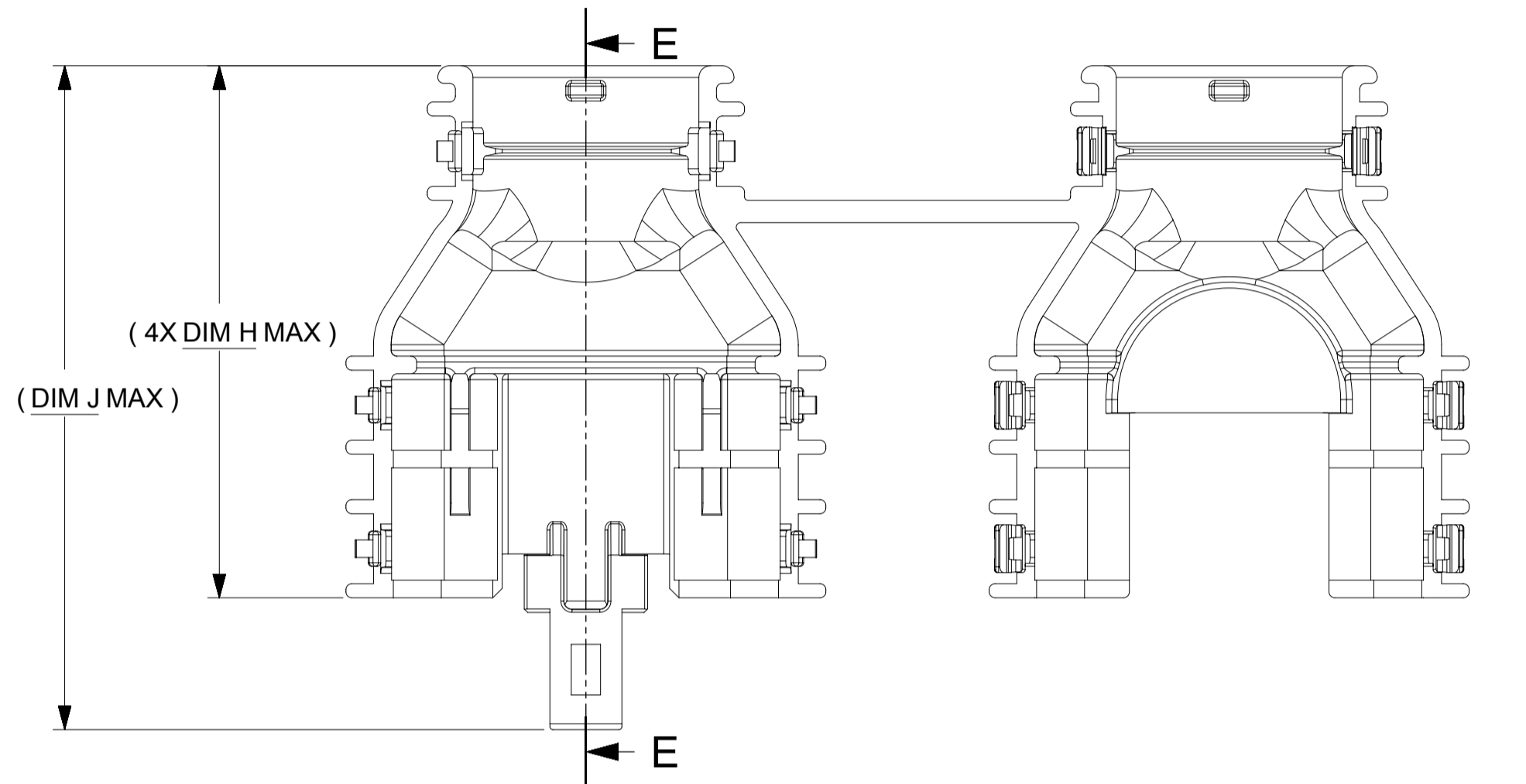
EC NO: 632862 DRWN: PPALLAN CHKD: MVANSLAMBROU APPR: MVANSLAMBROU	2020/02/20	GENERAL TOLERANCES (UNLESS SPECIFIED)	DIMENSION UNITS	SCALE	
	2020/02/26	ANGULAR TOL ± 3.0 °	mm	3:1	
	2020/02/26	4 PLACES ±	DRWN BY	DATE	
		3 PLACES ±	DAHALL	2013/03/27	
	2 PLACES ± 0.1	CHK'D BY	DATE		MX150 DUAL ROW RECPT BACKSHELLS PRODUCT CUSTOMER DRAWING
	1 PLACE ± 0.2	APPR BY	DATE		
	0 PLACES ±	VKOSHY	2013/04/08		
	DRAFT WHERE APPLICABLE MUST REMAIN WITHIN DIMENSIONS	DRAWING SIZE	THIRD ANGLE PROJECTION		
B10		A1			SERIES
					MATERIAL NUMBER
					34951
					CUSTOMER
					GENERAL MARKET
					DOCUMENT NUMBER
					SD-34951-0001
					DOC TYPE
					PSD
					DOC PART
					001
					SHEET NUMBER
					3 OF 4

SHEET DESCRIPTION
MOLEX BACKSHELL DETAIL

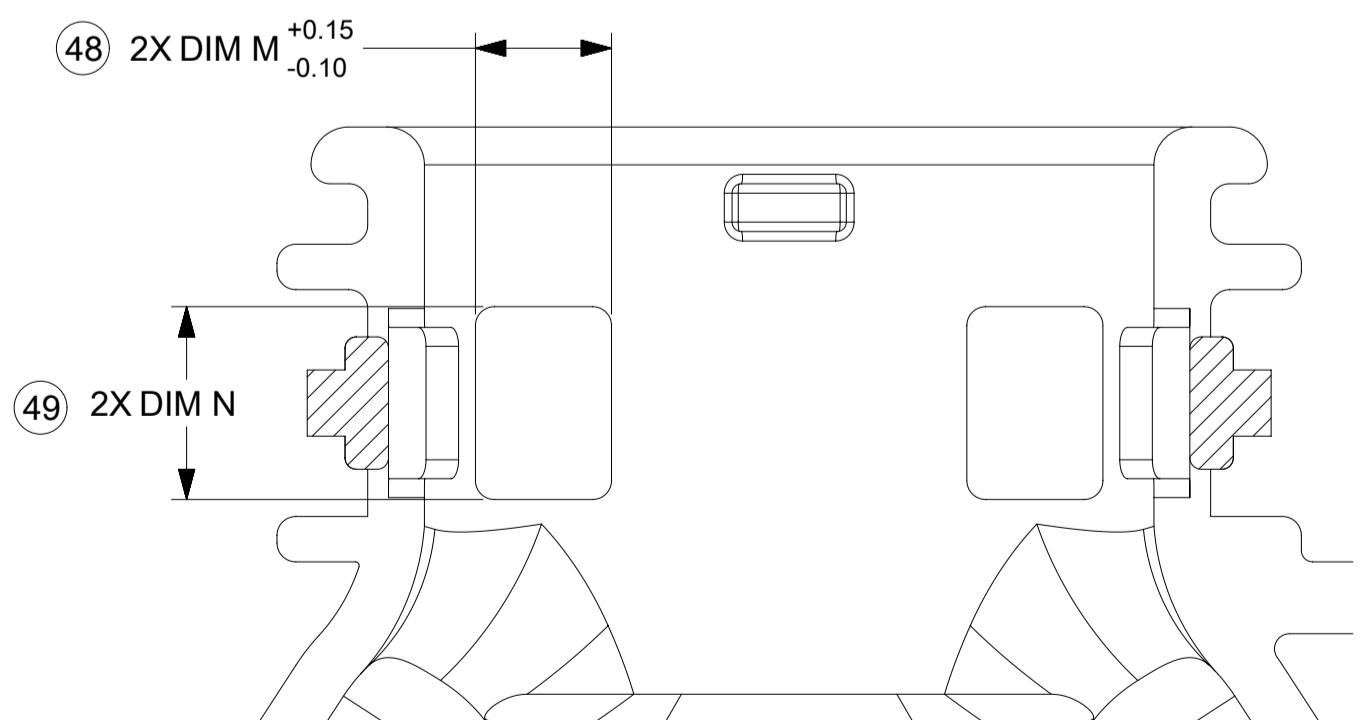
DESCRIPTION	CHARTED DIMENSION							
	V	H	J	K	L	M	N	Z
2X4, WITH RIB	16.10	36.80	48.11	16.10	0.80	N/A	N/A	1.35
2X4, WITHOUT RIB	16.10	36.80	48.11	16.10	N/A	3.60	5.10	N/A
2X8, WITH RIB	19.30	45.60	56.91	19.30	0.80	N/A	N/A	1.45
2X8, WITHOUT RIB	19.30	45.60	56.91	19.30	N/A	3.60	5.10	N/A
2X10, WITH RIB	19.30	45.60	56.91	19.30	0.80	N/A	N/A	1.45
2X10, WITHOUT RIB	19.30	45.60	56.91	19.30	N/A	3.60	5.10	N/A



SECTION E-E



PARTIAL SECTION C-C
SCALE 5:1
WITH RIBS



PARTIAL SECTION D-D
SCALE 5:1
WITHOUT RIBS

THIS DRAWING CONTAINS INFORMATION THAT IS PROPRIETARY TO MOLEX ELECTRONIC TECHNOLOGIES, LLC AND SHOULD NOT BE USED WITHOUT WRITTEN PERMISSION

EC NO: 632862 DRWN: PPALLAN CHKD: MVANSLAMBROU APPR: MVANSLAMBROU	2020/02/20	2020/02/26	2020/02/26	GENERAL TOLERANCES (UNLESS SPECIFIED)	DIMENSION UNITS	SCALE	molex [®]
				mm	2:1		
				ANGULAR TOL ± 3.0 °	DRWN BY	DATE	MX150 DUAL ROW RECPT BACKSHELLS
				4 PLACES ±	DAHALL	2013/03/27	
				3 PLACES ±	CHK'D BY	DATE	PRODUCT CUSTOMER DRAWING
				2 PLACES ± 0.1	VKOSHY	2013/04/08	
				1 PLACE ± 0.2	APPR BY	DATE	SERIES MATERIAL NUMBER CUSTOMER
				0 PLACES ±			
				DRAFT WHERE APPLICABLE MUST REMAIN WITHIN DIMENSIONS	DRAWING SIZE	THIRD ANGLE PROJECTION	34951 GENERAL MARKET
				A1			
RELEASE STATUS	P1	RELEASE DATE	2020/02/26 00:51:11				DOCUMENT NUMBER
							SD-34951-0001
							DOC TYPE
							PSD
							DOC PART
							001
							SHEET NUMBER
							4 OF 4