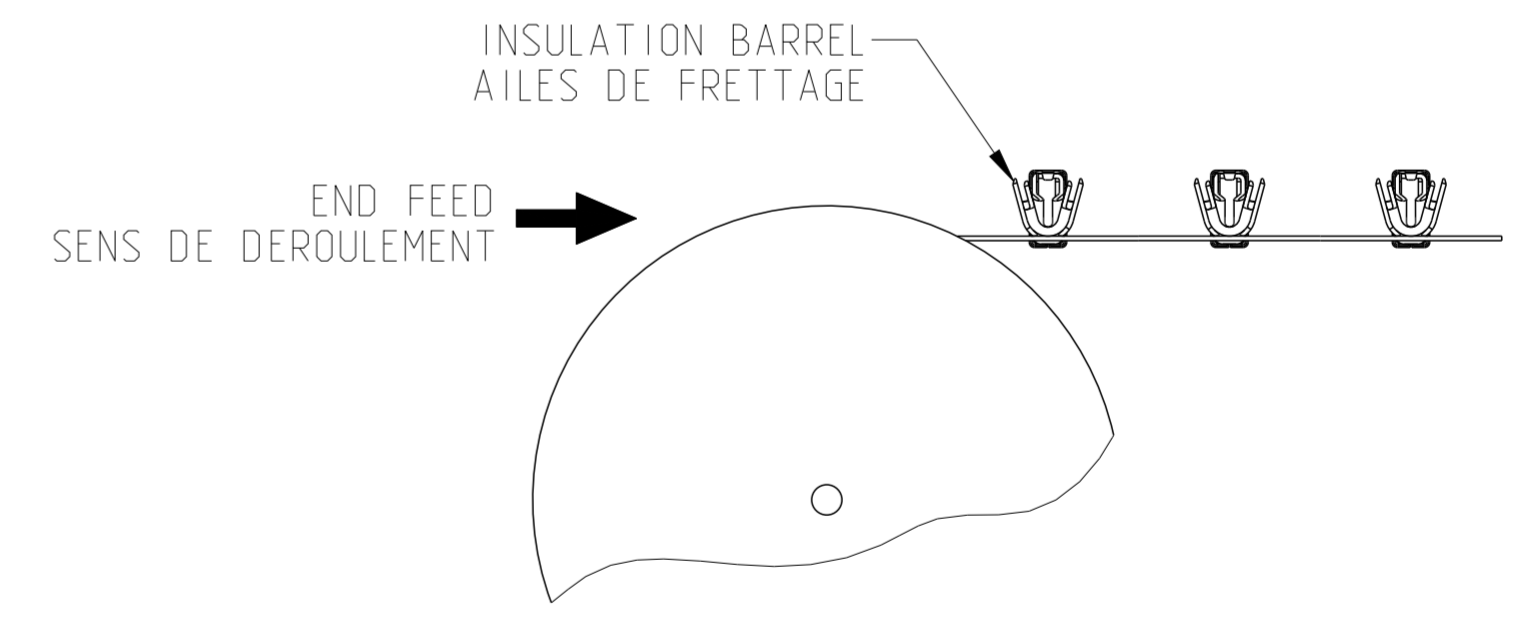
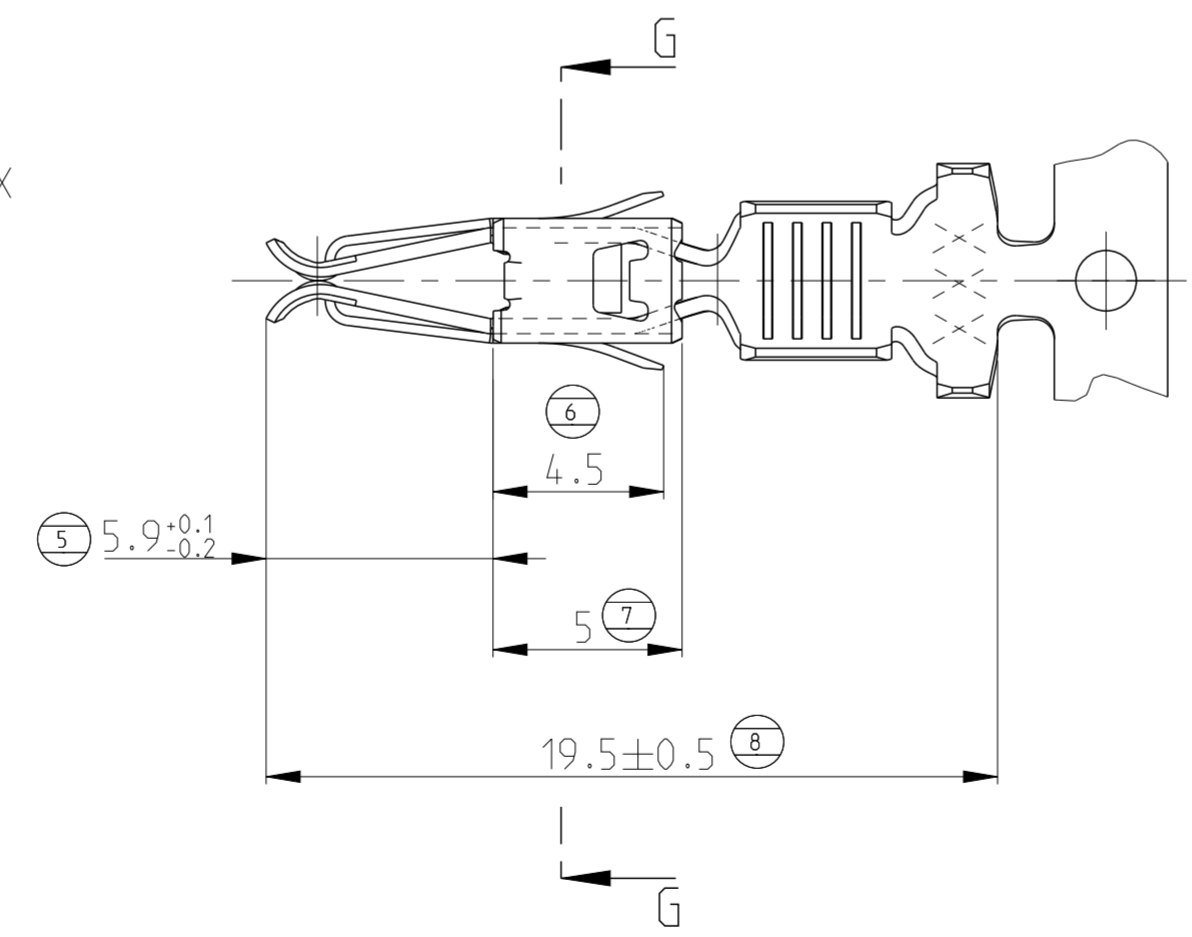
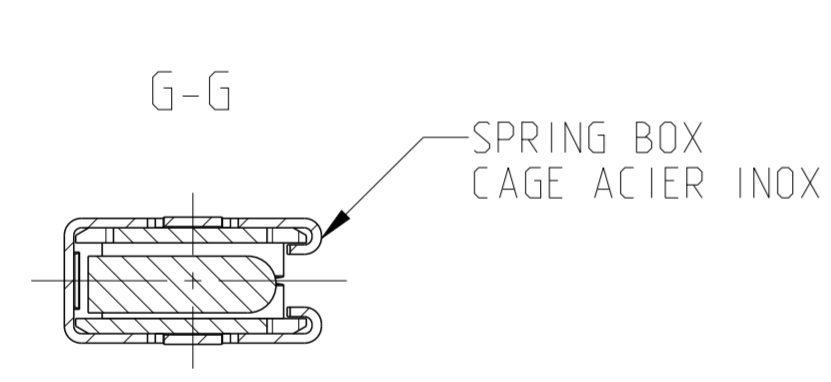
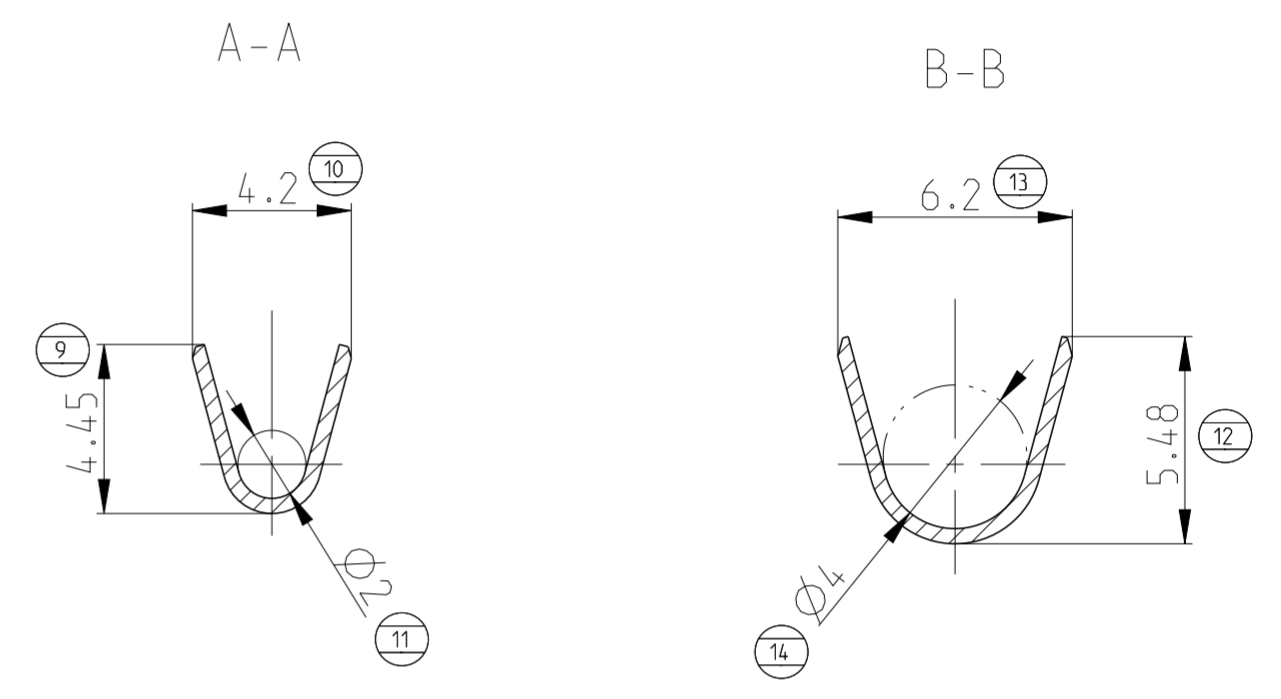
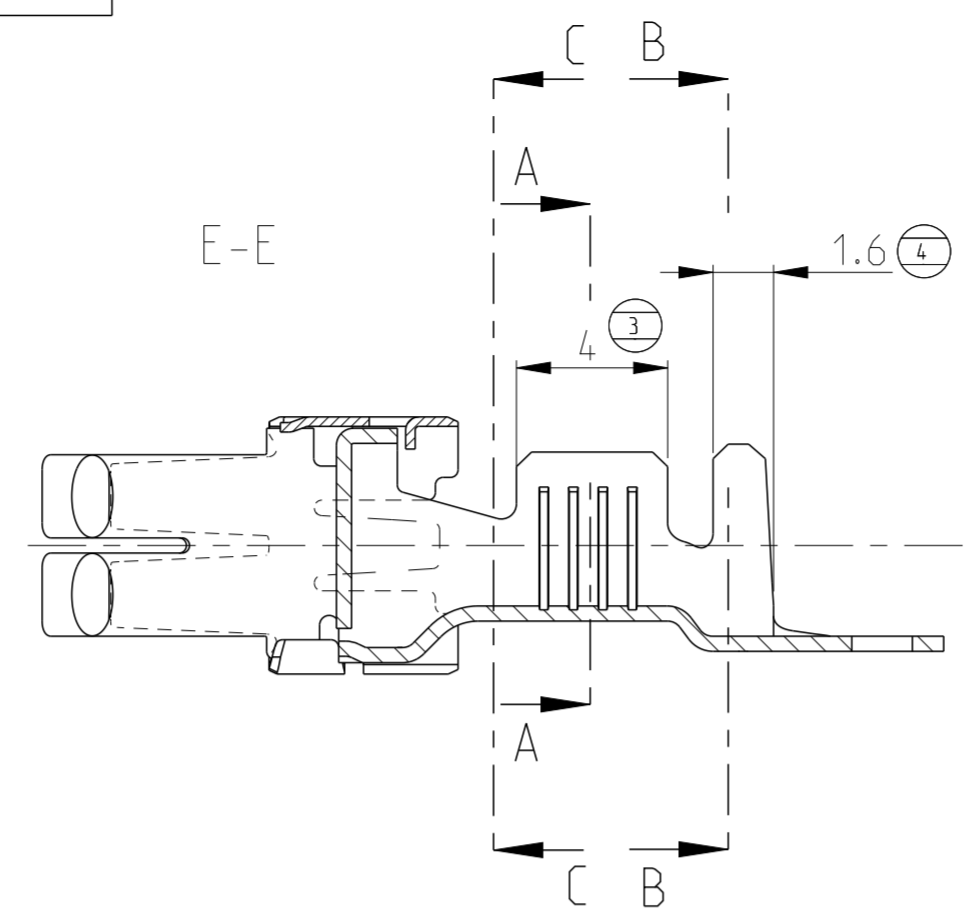
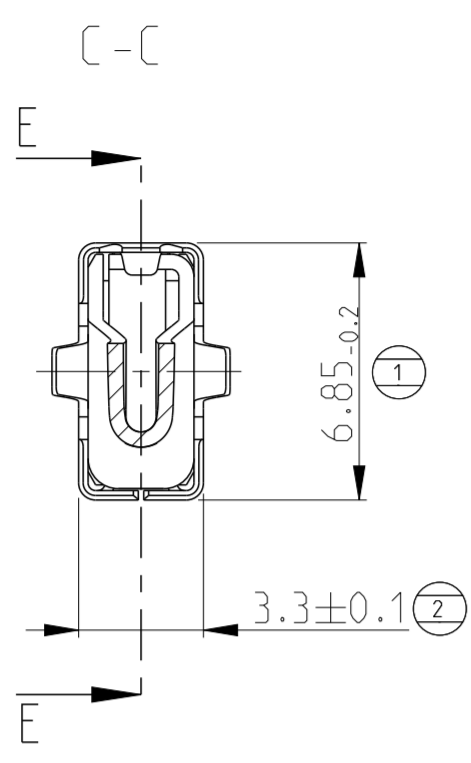


THIS DRAWING IS UNPUBLISHED. RELEASED FOR PUBLICATION
 © COPYRIGHT copyright_date BY - ALL RIGHTS RESERVED.

REVISIONS				
P	LTR	DESCRIPTION	DATE	APVD
A		REDRAWN IN CREO	20DEC2015	SCK JP



PRE-TIN 0.8 A 3.3µm	CuSn4	144617-1
FINISH	MATERIAL	PART NO

THIS DRAWING IS A CONTROLLED DOCUMENT.		DWN 03OCT2000 CHK Michel Polifonte	TE Connectivity	
DIMENSIONS: mm	TOLERANCES UNLESS OTHERWISE SPECIFIED:	APVD -		
	0 PLC ±	PRODUCT SPEC 108-15122	SIZE A2	CAGE CODE 00779
	1 PLC ±	APPLICATION SPEC 114-15056	DRAWING NO C-144617	RESTRICTED TO -
MATERIAL - SEE TABLE	FINISH - SEE TABLE	WEIGHT -	SCALE 5:1 SHEET 1 OF 1 REV A	

Mouser Electronics

Authorized Distributor

Click to View Pricing, Inventory, Delivery & Lifecycle Information:

[TE Connectivity:](#)

[144617-1](#)