

**PLEASE CHECK WWW.MOLEX.COM FOR LATEST PART INFORMATION**

**Part Number:** [0874390601](#)  
**Status:** **Active**  
**Overview:** [Pico-SPOX Wire-to-Board Connector System](#)  
**Description:** 1.50mm Pitch Pico-SPOX Wire-to-Board Housing, 6 Circuits, Black Housing

**Documents:**

<a href="#">3D Model</a>	<a href="#">Product Specification PS-87437-001-001 (PDF)</a>
<a href="#">Drawing (PDF)</a>	<a href="#">Packaging Specification SPK-87439-001-001 (PDF)</a>
<a href="#">Product Specification 2027050000-000 (PDF)</a>	<a href="#">RoHS Certificate of Compliance (PDF)</a>
<a href="#">Product Specification PS-78047-001-001 (PDF)</a>	

**Agency Certification**

CSA	LR19980
UL	E29179

**General**

Product Family	Crimp Housings
Series	<a href="#">87439</a>
Application	Signal, Wire-to-Board
Overview	<a href="#">Pico-SPOX Wire-to-Board Connector System</a>
Product Name	Pico-SPOX
UPC	822350717649

**Physical**

Circuits (maximum)	6
Color - Resin	Natural
Flammability	94V-0
Gender	Receptacle
Glow-Wire Capable	No
Lock to Mating Part	Yes
Material - Resin	Nylon
Net Weight	98.000/mg
Number of Rows	1
Packaging Type	Bag
Panel Mount	No
Pitch - Mating Interface	1.50mm
Polarized to Mating Part	Yes
Stackable	No
Temperature Range - Operating	-55° to +105°C

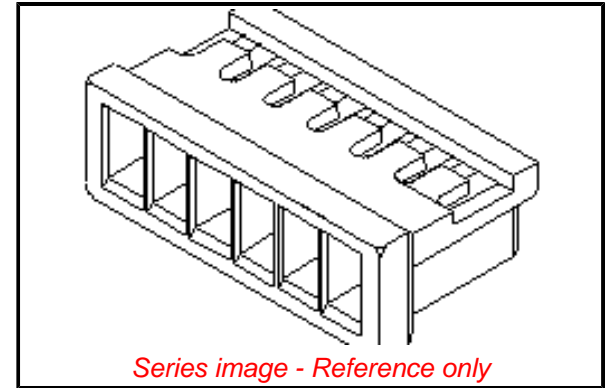
**Electrical**

Current - Maximum per Contact	2.5A
-------------------------------	------

**Material Info**

**Reference - Drawing Numbers**

Packaging Specification	SPK-87439-001-001
Product Specification	2027050000-000, PS-78047-001-001, PS-87437-001-001
Sales Drawing	SD-87439-001-001



**EU ELV**

**Not Relevant**

**EU RoHS**

**Compliant**

**REACH SVHC**

Not Contained Per -  
ED/61/2018 (27 June  
2018)

**Halogen-Free**

**Status**

**Low-Halogen**

For more information, please visit [Contact US](#)

China ROHS

ELV

RoHS Phthalates

**China RoHS**

Green Image

Not Relevant

Not Contained

**Search Parts in this Series**

[87439](#) Series

**Mates With**

Pico-SPOX Wire-to-Board Header [87437](#) ,  
[87438](#)

**Use With**

[87421](#) Pico-SPOX Crimp Terminal

# Mouser Electronics

Authorized Distributor

Click to View Pricing, Inventory, Delivery & Lifecycle Information:

[Molex:](#)

[87439-0601](#)