



BOARD LEVEL COOLING – Slide On 5801

Slide On 5801 is a slide on board level heat sink designed to cool DIP devices. Representative image only.



ORDERING INFORMATION

Part Number	Device Type
580100B00000G	DIP

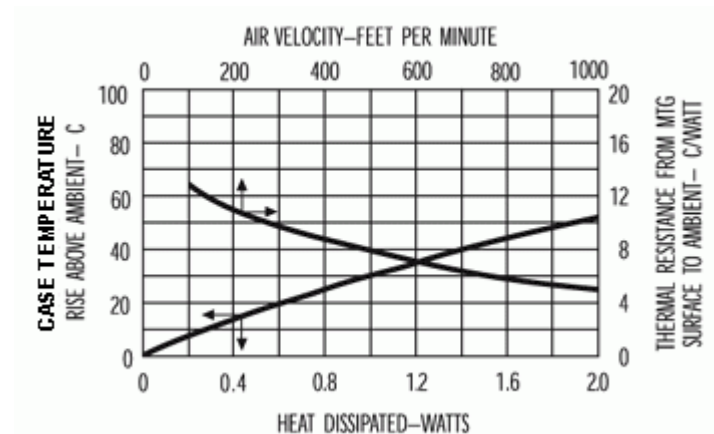
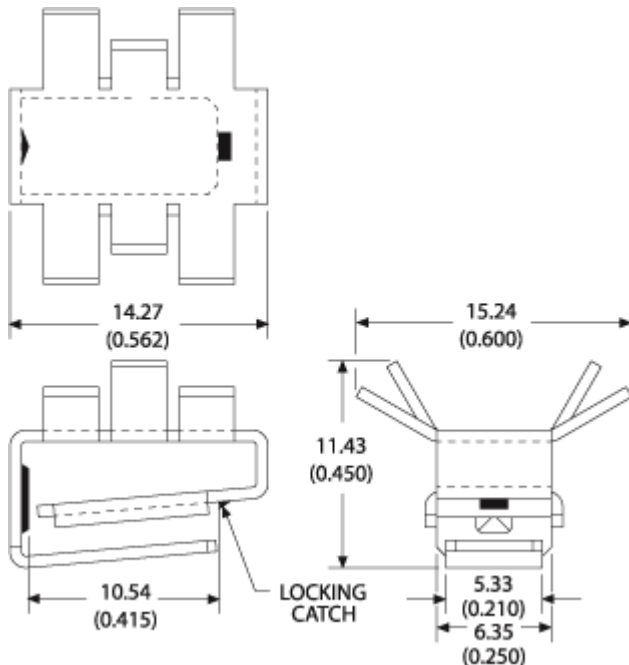
HEAT SINK DETAILS

Property	Details
Material	Aluminum
Finish	Black Anodize
Device Attachment Options	Slide On
Thermal Interface Material	-

Property	Details
Heat Sink Width (mm)	15.24
Heat Sink Length (mm)	14.27
Heat Sink Height (mm)	11.43
Heat Sink Mounting Direction	Horizontal

MECHANICAL & PERFORMANCE

Drawing dimensions are shown in mm, (in)



Mouser Electronics

Authorized Distributor

Click to View Pricing, Inventory, Delivery & Lifecycle Information:

[Aavid Thermalloy:](#)

[580100B00000G](#)