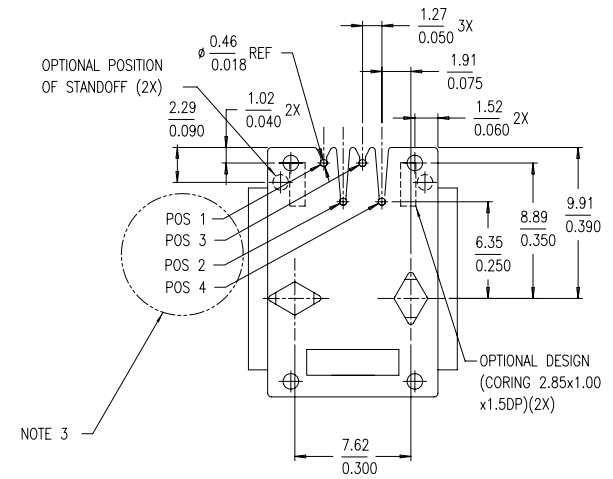
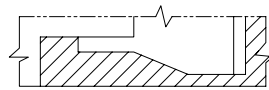


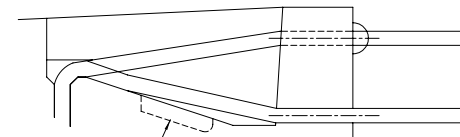
SECTION A-A



NOTE 3



DETAIL B -90° ROTATED (OPTIONAL DESIGN BERG TAIWAN ONLY)



(OPTIONAL RECESS) DETAIL C

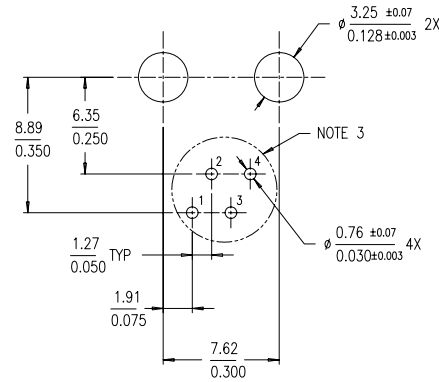
mat'l. code		surface		tolerance		projection		product family	
		ISO1302		ISO1101 ISO406				MOD JACK	
lfr		ecn no		dr		date		title	
N		S90142		JSR		10/4/99		4 POS VERTICAL	
P		N05-0002		YS		01/06/05		P.C.B. MOD JACK ASSY	
R		N08-0170		SH MAO		10/10/08		scale 2.0	
S		N09-0092		SH MAO		05/25/09		dwg no	
T		ELX-N-01070		SH MAO		03/14/12		sheet, 1 of 2	
U		ELX-N-21224		J.H		06/24/15		size	
				appr		JENN TSAO		69253	
								A4	
sheet		revision		U		U		type	
index		sheet		1		2		Product Customer Drawing	



PRODUCT NO.	POSITIONS LOADED	CONTACT PLATING	HOUSING COLOR	NOTES
69253-001 -001LF -011LF	ALL	5u" Au	BLACK	-
-002 -002LF -012LF	ALL	5u" Au	BLACK	-
-003 -003LF -013LF	ALL	5u" Au	BLACK	NOTE 1
-004 -004LF -014LF	ALL	50u" /1,27u GXT	BLACK	-
-005 -005LF -015LF	ALL	5u" Au	GREY	-
-006 -006LF -016LF	ALL	15u" GXT	BLACK	-
-202 -202LF -212LF	ALL	5u" Au	BLACK	-

NOTE :

- ① SPECIAL PACKAGING.
- 2 GXT IS 0,76um / 30u" OR 0,28um / 15u" MIN GXT WITH Au FLASH OVER 1,27um / 50u" MIN Ni.
- ③ THIS PIN NUMBERING IS OPPOSITE TO FCC, PART 68, SUBPART F REQUIREMENTS.
- 4 THIS PRODUCT MEETS EUROPEAN UNION DIRECTIVES AND OTHER COUNTRY REGULATIONS AS DESCRIBED IN GS-22-008.
- 5 THE HOUSING WILL WITHSTAND EXPOSURE TO 260°C PEAK TEMPERATURE FOR 10 SECONDS IN A WAVE SOLDER APPLICATION WITH A 1.6mm MINIMUM THICK CIRCUIT BOARD.
- 6 IF LF P/N PACKAGING MEETS GS-14-920 SPECIFICATION.
- ⑦ PLATING OPTIONS:
MAY BE EITHER GOLD OR GXT PLATED AT MANUFACTURER'S OPTION.
- 8 PART NUMBER:
69253-XXXLF



BOARD LAYOUT
VIEWED FROM TOP

- LEAD FREE PRODUCT NO.
SEE TABLE
- 0: MEETS WAVE SOLDER PROCESS PRODUCT NO.
- 1: MEETS PIP PROCESS PRODUCT NO.
- 0: TAIL LENGTH=3.18/.125.
- 2: TAIL LENGTH=4.00/.157.

mat'l. code		surface ISO1302 ✓		tolerance ISO1101 ISO406		projection mm		product family MOD JACK	
ltr	ecn no	dr	date	tolerances unless otherwise specified		mm		title	
N	S90142	JSR	10/4/99	angles	0.X±0.3	mm		4 POS VERTICAL	
P	N05-0002	YS	01/06/05	0°±2°	0.XX±0.15	scale 2.0		P.C.B. MOD JACK ASSY	
R	N08-0170	SH MAO	10/10/08		0.XXX±0.05			dwg no	
S	N09-0092	SH MAO	05/25/09	dr	C L FENG	02/21/97	sheet, 2 of 2		size
T	ELX-N-010701	SH MAO	03/14/12	engr	TONY CHIEN	02/21/97	69253		A4
U	ELX-N-21224	J.H	06/24/15	chr	TONY CHIEN	02/21/97	type		Product Customer Drawing
sheet index		revision sheet		appd JENN TSAO		02/21/97			

Mouser Electronics

Authorized Distributor

Click to View Pricing, Inventory, Delivery & Lifecycle Information:

[FCI / Amphenol:](#)

[69253-001LF](#) [69253-002LF](#) [69253-003](#) [69253-001](#) [69253-202LF](#)