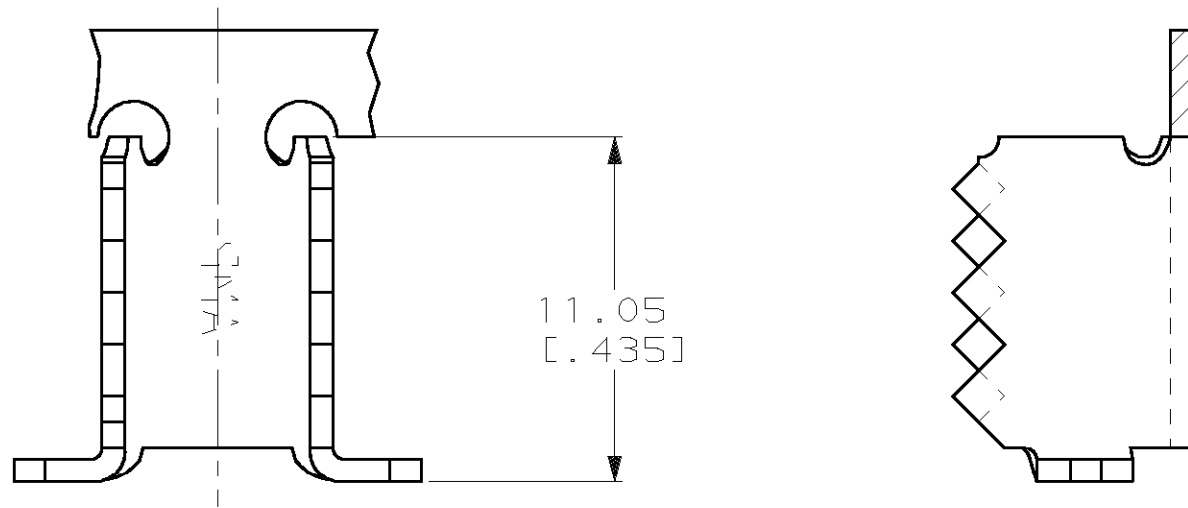
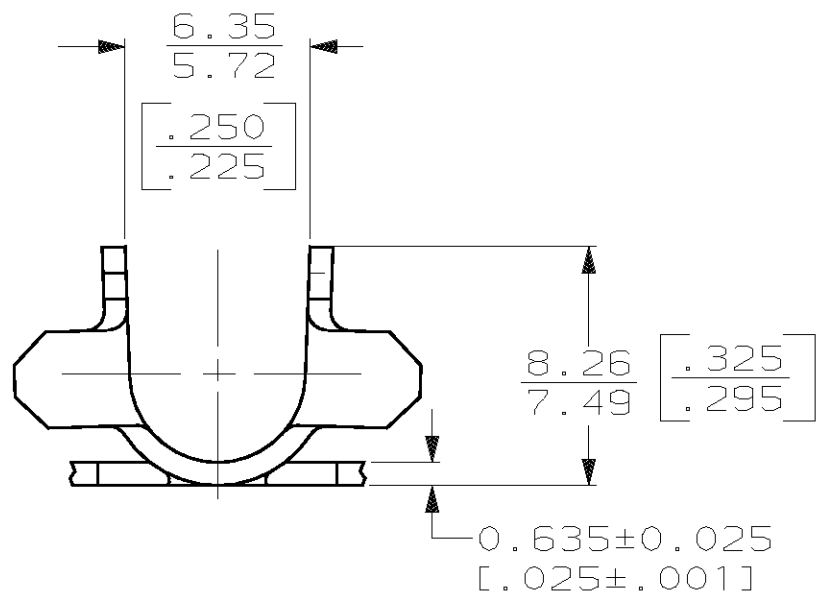


THIS DRAWING IS UNPUBLISHED. RELEASED FOR PUBLICATION, 19 .
 © COPYRIGHT 19 BY AMP INCORPORATED. ALL INTERNATIONAL RIGHTS RESERVED.

| | | | | | | | | |
|-----|------|---|---|-----------|-----|---------------------|---------|-------|
| LOC | DIST | P | F | REVISIONS | | | | |
| AF | 50 | | | ZONE | LTR | DESCRIPTION | DATE | APPD |
| | | | | | K | REDRAWN PER AF-7278 | 2/19/91 | PF/MF |



1 CONTINUOUS STRIP ON REELS.



METRIC

| | | | | |
|--|---------------------------|---------------------------|---|--------------------|
| DO NOT SCALE PRINT. UNLESS SPECIFIED DIMENSIONS IN mm [INCHES] TOLERANCES ON: 2 PLC DEC ± 0.25 [0.010] 3 PLC DEC ± - ANGLES ± - | | DR 2/19/91 P FORTNEY | 4.57-5.84 DIA [.180-.230] | 42412-5 |
| MATERIAL ALUMINUM | CHK 2/21/91 MS FEHER | APPD 2/21/91 D SCHWENK | INSULATION RANGE | PART NO |
| FINISH - | APPD 2/25/91 R WEAVILL | PRODUCT SPEC - | AMP AMP Incorporated Harrisburg, PA 17105-3608 | |
| | APPLICATION SPEC - | WEIGHT - | NAME STRAIN RELIEF, WING TYPE | |
| | | | SIZE B | CAGE CODE 00779 |
| | | | DRAWING NO 42412 | |
| | | | SCALE 4:1 | SHEET 1 OF 1 |

Mouser Electronics

Authorized Distributor

Click to View Pricing, Inventory, Delivery & Lifecycle Information:

[TE Connectivity:](#)

[42412-5](#)