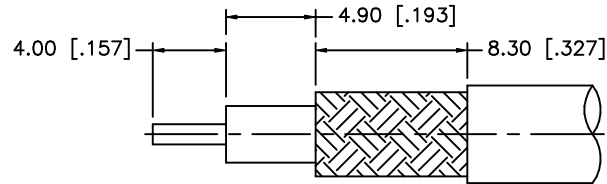
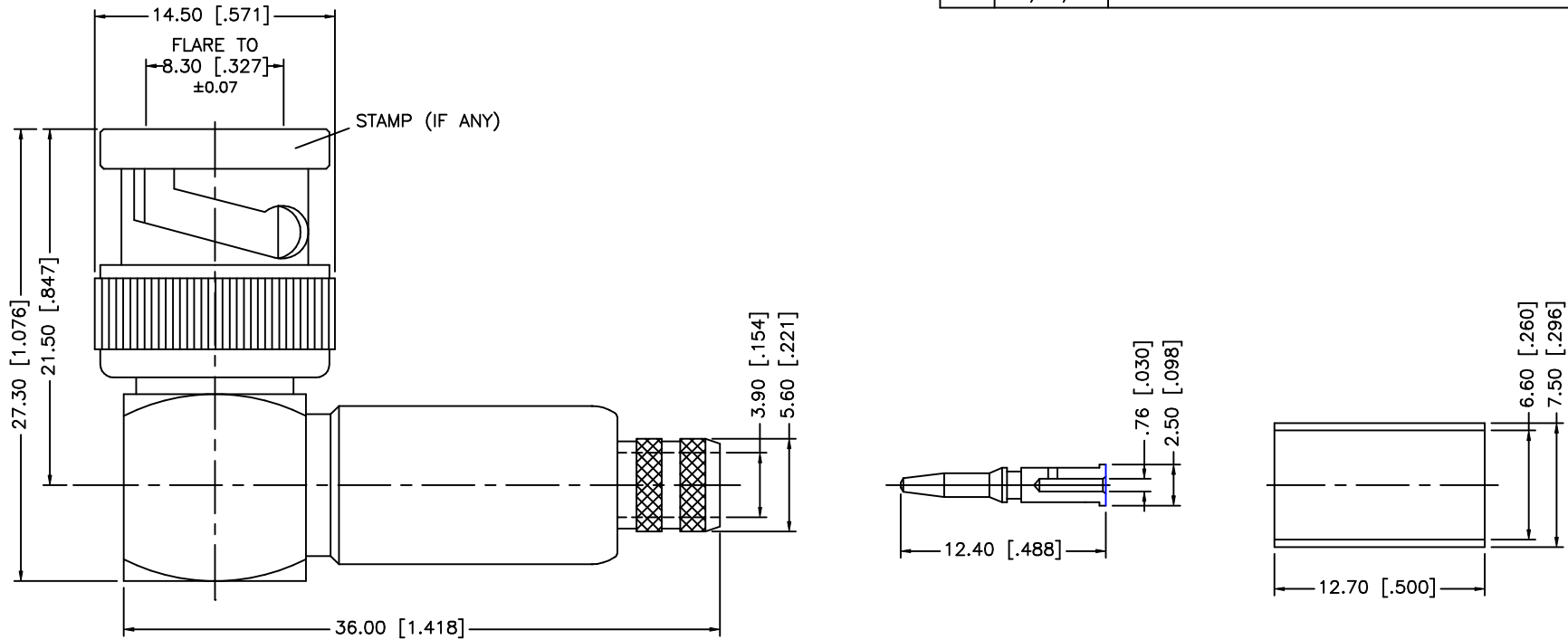


REV.	DATE	DESCRIPTION
NC	10/09/06	UPDATE DRAWING FORMAT



NOTE:

1. CRIMPED FERRULE HEX CRIMP SIZE .255".
2. CRIMPED CONTACT PIN HEX CRIMP SIZE .068".

REV.	DATE	DESCRIPTION
8		
7		
6		
5	FERRULE	COPPER NICKEL 1
4	CONTACT PIN	PHOS. BRONZE GOLD 1
3	CONTACT PIN	BRASS GOLD 1
2	INSULATOR	DELIRIN NATURAL 2
1	BODY	BRASS NICKEL 1
DESCRIPTION	MATERIAL	FINISH QTY

UNLESS OTHERWISE SPECIFIED DIMENSIONS ARE IN MILLIMETERS. DIMENSIONS IN [ ] ARE IN INCHES AND FOR CUSTOMER REFERENCE ONLY.		APPROVALS	DATE
UNLESS OTHERWISE SPECIFIED TOLERANCES FOR MILLIMETERS ARE: 0.5 - 8mm ± 0.20mm 8 - 30mm ± 0.40mm 30 - 120mm ± 0.50mm		DRAWN G.R.S.	10/09/06
UNLESS OTHERWISE SPECIFIED TOLERANCES FOR INCHES ARE: .020 - .315 = ± 0.007" .315 - 1.180 = ± 0.015" 1.180 - 4.724 = ± 0.020"		CHECKED	
DO NOT SCALE DRAWING		ISSUED	
		SHEET 1 OF 1	
		CAD FILE C:/112/112185.DWG	

PART DESCRIPTION		REV.	SIZE	SCALE
BNC R/A CRIMP PLUG (FOR RG-59/U CABLE)		NC	A	NA
PART NO. 112185				
DWG. NO.	112185.DWG			

**Amphenol Connex**

# Mouser Electronics

Authorized Distributor

Click to View Pricing, Inventory, Delivery & Lifecycle Information:

[Amphenol:](#)

[112185](#)