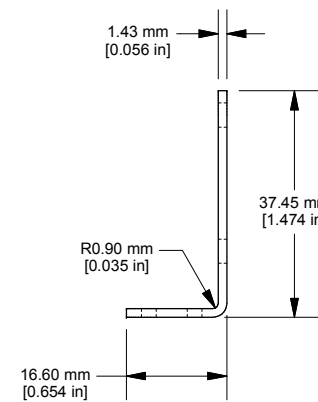
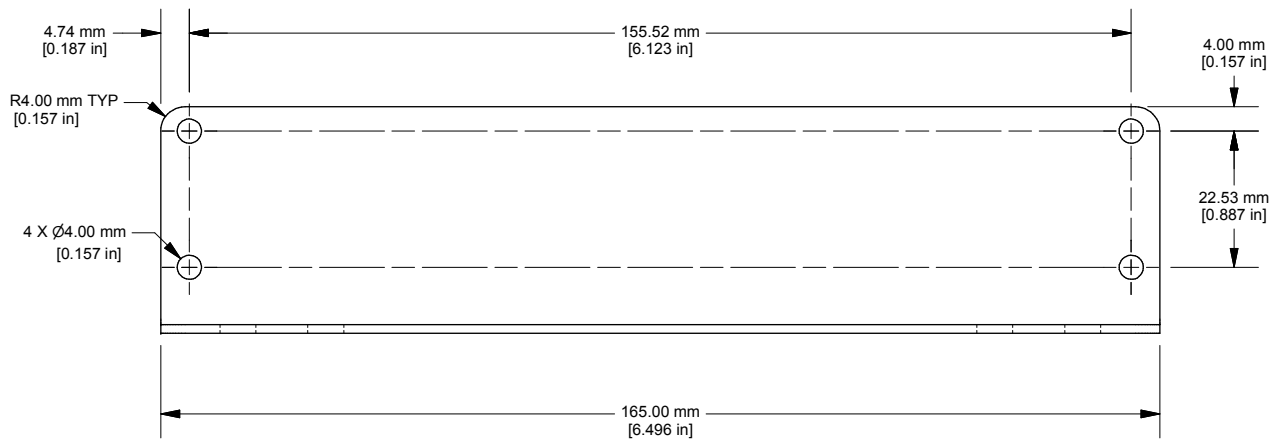


2

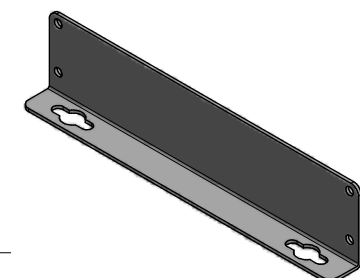
1

B

B

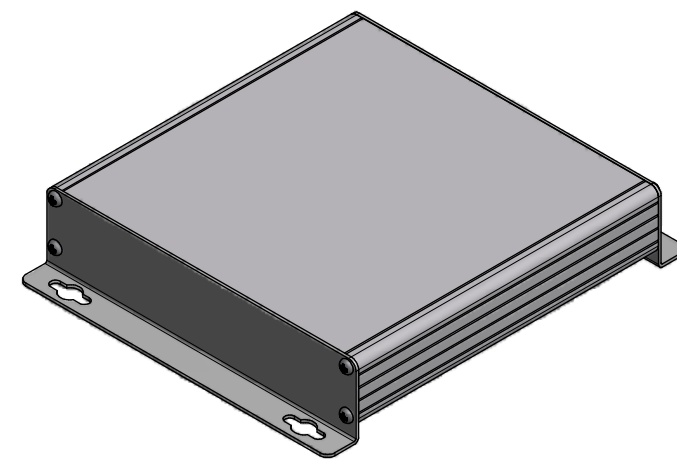
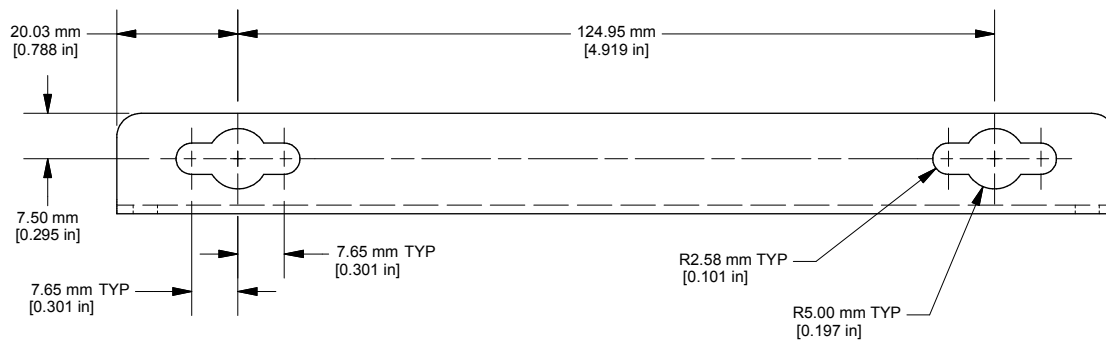


FLANGE



A

A



ASSEMBLY WITH FLANGES



HAMMOND  
MANUFACTURING™

1455RF

www.hammondmfg.com

2

1

