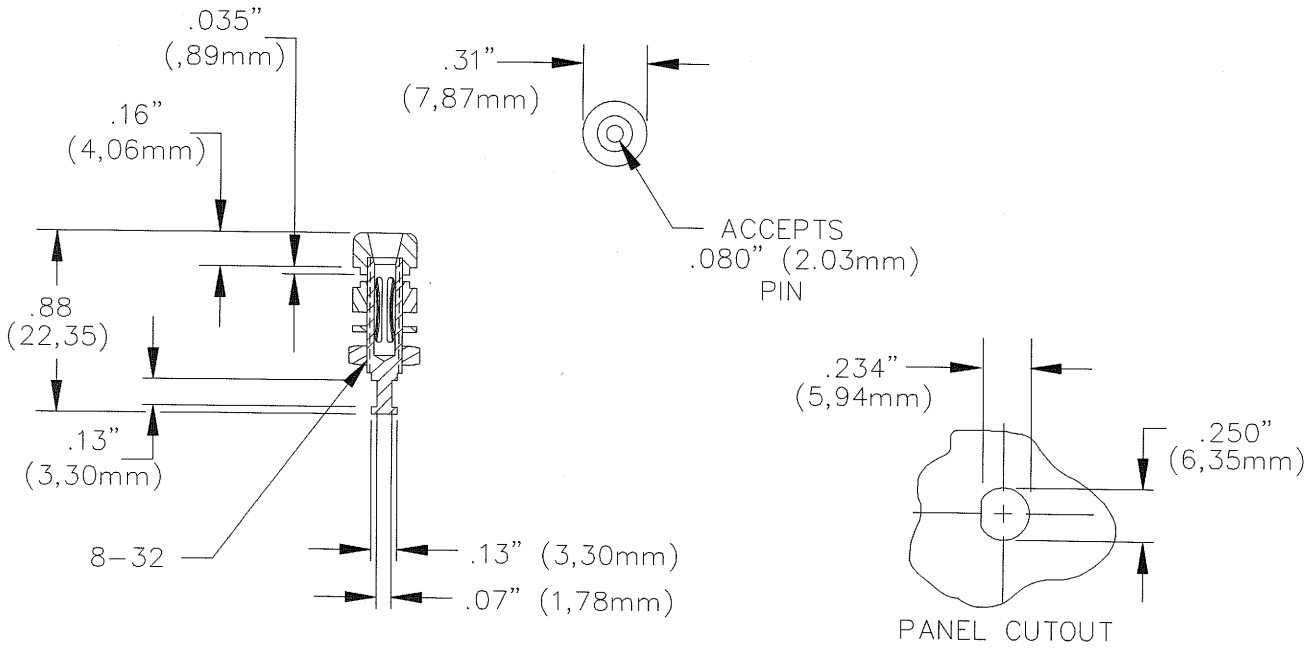


MODEL: BU-P3542-*
Pin Tip Jack (Panel Mount)



MATERIALS:

Body – Gold Plated Brass, Jacks – Gold Plated Beryllium Copper
Insulator – Nylon

Maximum Panel thickness: .25" (6.4)

Standard Colors: -0 Black; -2 Red

RATING:

5 Amps

Hands free testing to 1500 VMRS max.

Temperature: -50°C to 105°C

Mouser Electronics

Authorized Distributor

Click to View Pricing, Inventory, Delivery & Lifecycle Information:

[Mueller Electric:](#)

[BU-P3542-2](#)