

PLEASE CHECK WWW.MOLEX.COM FOR LATEST PART INFORMATION

Part Number: [0897616135](#)
Status: **Active**
Overview: [RF Cable Assemblies](#)
Description: MCX Right-Angle Plug-to-MCX Right-Angle Plug Assembly, RG-316 Cable, Length 457.20mm, 50 Ohms

Documents:

[Drawing \(PDF\)](#) [RoHS Certificate of Compliance \(PDF\)](#)

General

Product Family	Cable Assemblies
Series	89761
Assembly Configuration	Dual Ended Connectors
Connector to Connector	MMCX-to-MMCX
Overview	RF Cable Assemblies
Product Name	MMCX, RF
UPC	883906707521

Physical

Cable Length	457.20mm (1.50')
Circuits (Loaded)	0
Gender	Plug/Plug
Net Weight	2.830/g
Packaging Type	Bag
Single Ended	No
Wire/Cable Type	RG-316

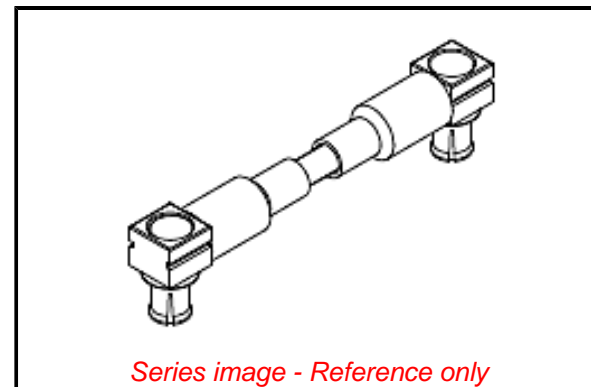
Electrical

Impedance	50Ω
-----------	-----

Material Info

Reference - Drawing Numbers

Sales Drawing	SD-89761-613
---------------	--------------



EU ELV

Not Relevant

EU RoHS

Compliant with Exemption 6(c)

REACH SVHC

Contained Per - ED/61/2018 (27 June 2018)

Lead

Halogen-Free

Status

Not Low-Halogen

For more information, please visit [Contact US](#)

China ROHS

50 Image

ELV

Not Relevant

RoHS Phthalates

Not Contained

Search Parts in this Series

[89761 Series](#)

Mouser Electronics

Authorized Distributor

Click to View Pricing, Inventory, Delivery & Lifecycle Information:

[Molex:](#)

[89761-6133](#) [89761-6135](#) [89761-6134](#)