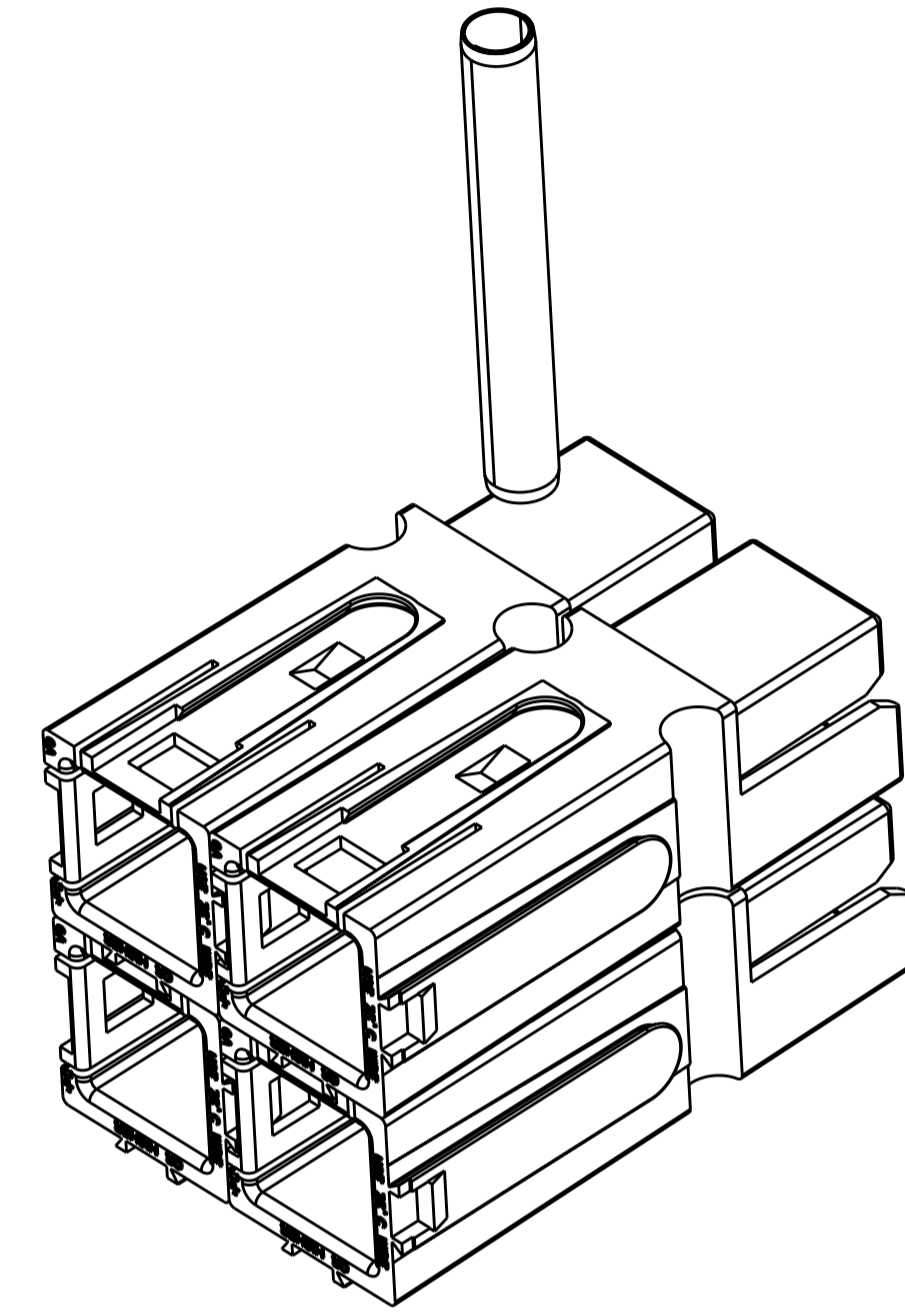
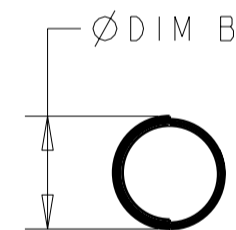
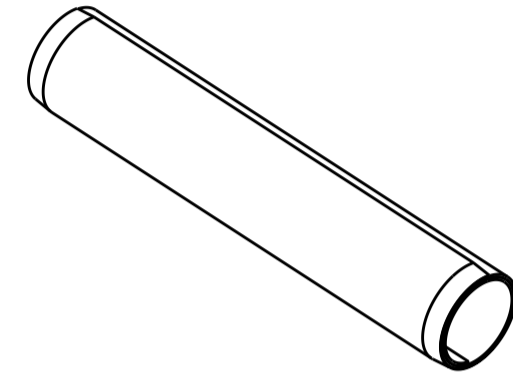


THIS DRAWING IS UNPUBLISHED.      RELEASED FOR PUBLICATION      20  
 © COPYRIGHT 20      BY      ALL RIGHTS RESERVED.

| LOC | DIST | REVISIONS                 |           |     |      |
|-----|------|---------------------------|-----------|-----|------|
| P   | LTR  | DESCRIPTION               | DATE      | DWN | APVD |
| CM  | 00   |                           |           |     |      |
| P   |      | REVISED PER ECO-11-005140 | 23MAR2011 | RK  | HMR  |
|     |      |                           |           |     |      |
|     |      |                           |           |     |      |



TYPICAL USES

⚠ OBSOLETE PARTS: OBSOLETE CIS STREAMLINING PER D.RENAUD/D.SINISI

⚠ OBSOLETE

|           |       |             |
|-----------|-------|-------------|
| 2.36-2.51 | 21.59 | 1445886-6   |
| 2.51-2.69 | 11.18 | 1445886-5   |
| 2.49-2.62 | 6.35  | 1445886-4   |
| 5-5.25    | 38.10 | 1445886-3   |
| 5-5.25    | 25.40 | 1445886-2   |
| 5-5.25    | 14.22 | 1445886-1   |
| Ø DIM B   | DIM A | PART NUMBER |

**METRIC**

|  |  |                  |     |                  |                     |               |           |  |                             |
|--|--|------------------|-----|------------------|---------------------|---------------|-----------|--|-----------------------------|
| THIS DRAWING IS A CONTROLLED DOCUMENT.   |  | DWN              | BH  | 15OCT01          | <br>TE Connectivity | NAME          |           |  | RETAINER PIN, POWER PRODUCT |
| DIMENSIONS:  |  | CHK              | KAK | 15OCT01          |                     | SIZE          |           |  | A2                          |
| mm   |  | APVD             | KAK | 15OCT01          |                     | CAGE CODE     |           |  | 00779                       |
| TOLERANCES UNLESS OTHERWISE SPECIFIED:<br>0 PLC ±-<br>1 PLC ±-<br>2 PLC ±0.13<br>3 PLC ±-<br>4 PLC ±-<br>ANGLES ±-<br>FINISH |  | PRODUCT SPEC     |     | DRAWING NO       |                     |               | C-1445886 |  |                             |
| MATERIAL   |  | APPLICATION SPEC |     | WEIGHT           |                     | RESTRICTED TO |           |  | -                           |
| 302 STAINLESS STEEL  |  | PASSIVATED       |     | CUSTOMER DRAWING |                     | SCALE         |           |  | 3:1                         |
|  |  |                  |     |                  |                     | SHEET         |           |  | 1                           |
|  |  |                  |     |                  |                     | OF            |           |  | 1                           |
|  |  |                  |     |                  |                     | REV           |           |  | P                           |

# Mouser Electronics

Authorized Distributor

Click to View Pricing, Inventory, Delivery & Lifecycle Information:

[TE Connectivity:](#)

[1445886-1](#)