

PART NAME

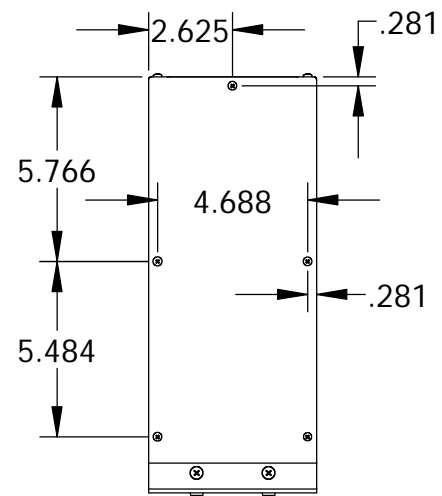
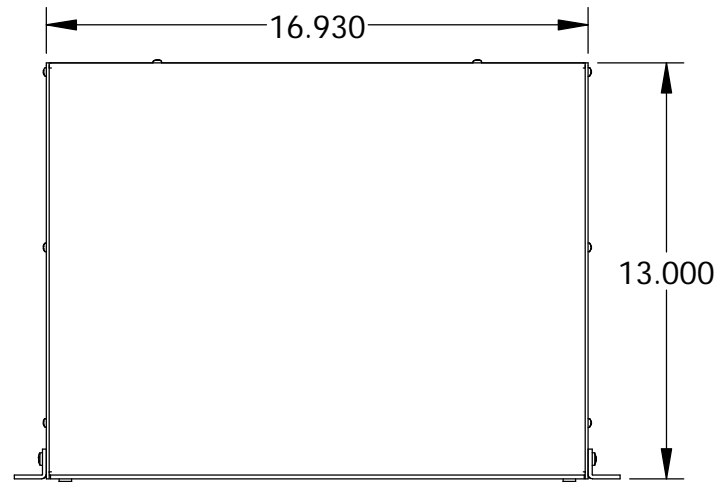
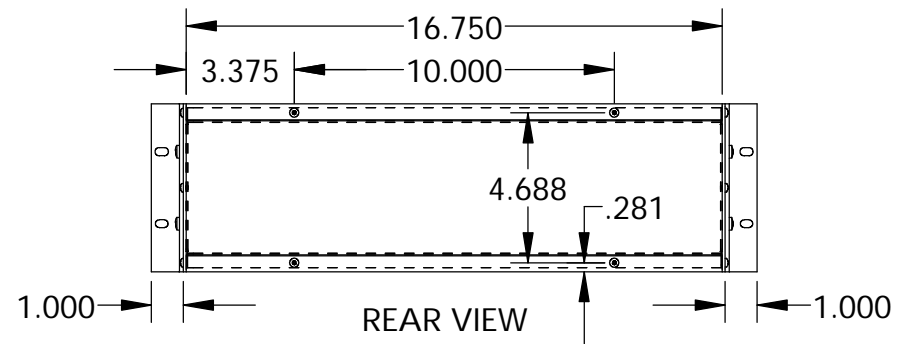
VALU/LINE SERIES CABINET

PART No.

NHC-14156

REVISION DATE

11-1-07



MATERIAL:
 BACK & COVERS _____ 0.050 THICK ALUMINUM
 SIDES & INNER BRACKETS ____ 0.090 THICK ALUMINUM
 FRONT PANEL _____ 0.125 THICK ALUMINUM
 OUTER BRACKETS _____ 11 GA. C.R.S.

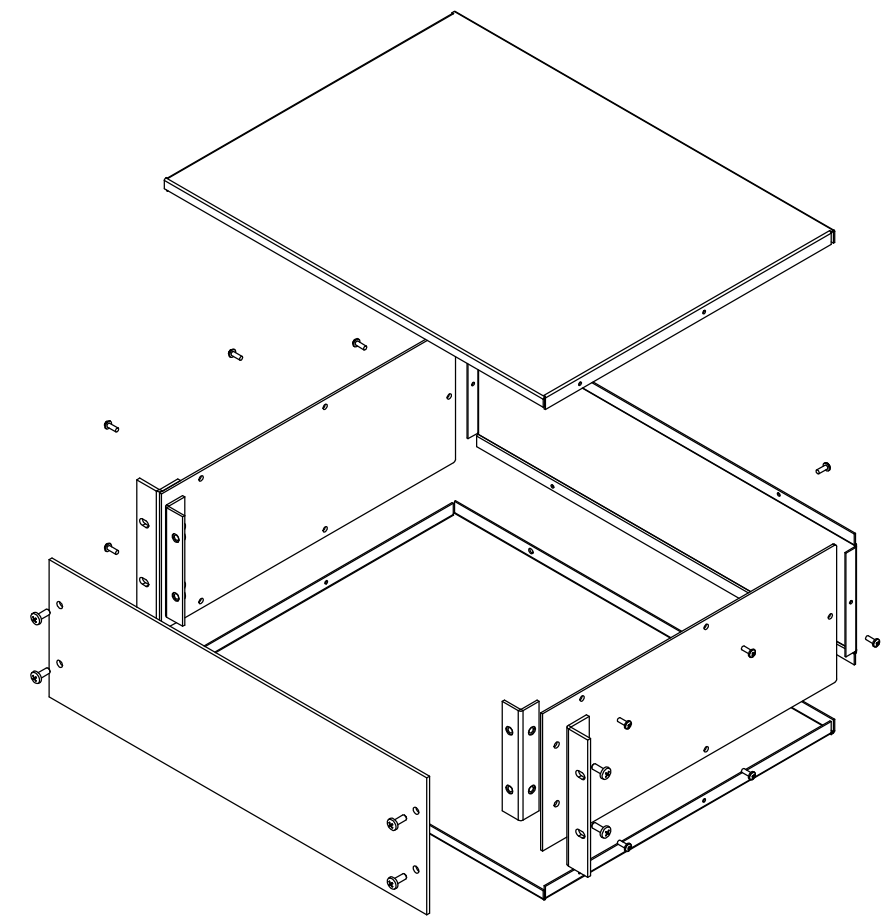
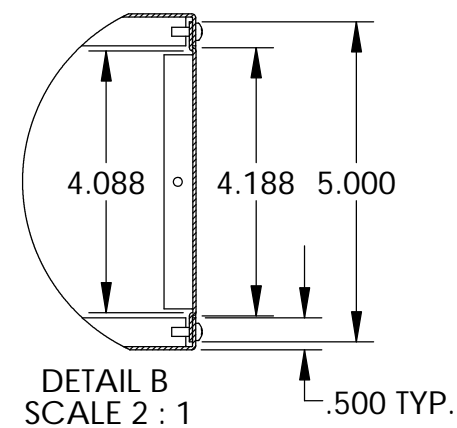
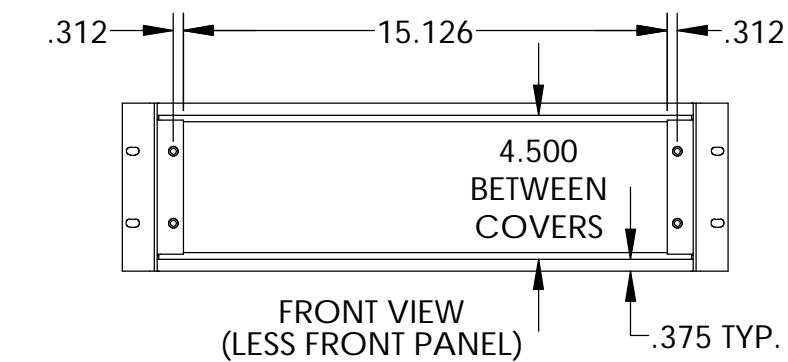
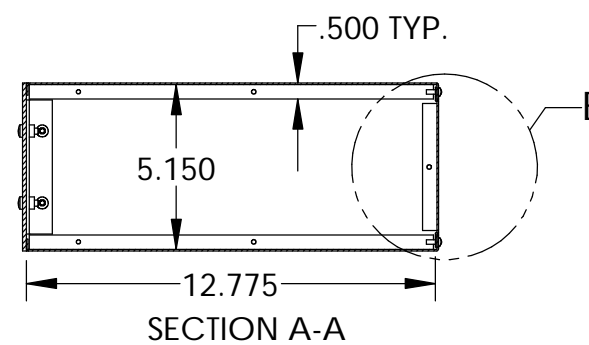
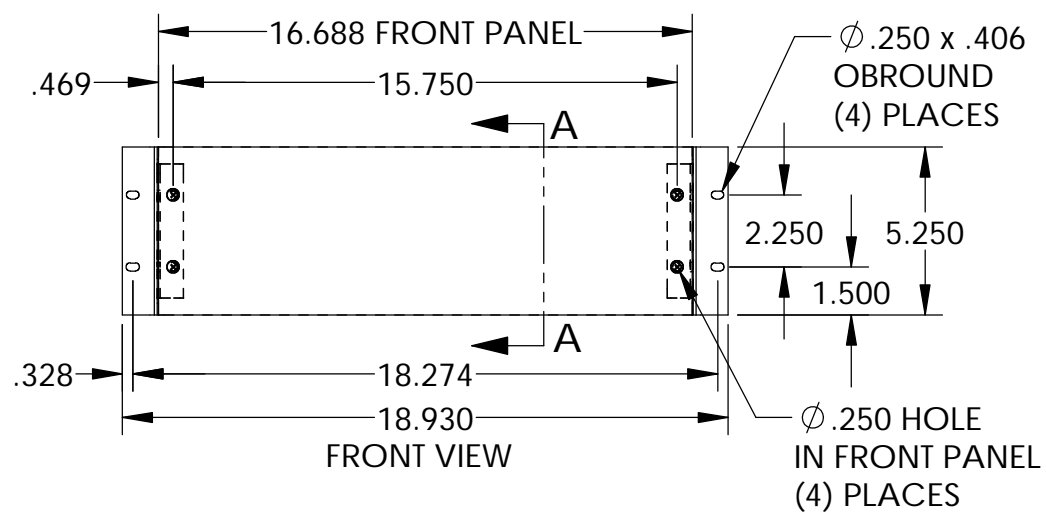
FINISH:
 BACK & COVERS _____ PREPAINTED SMOOTH WHITE
 SIDES & OUTER BRACKETS ____ WHITE TEXTURED
 FRONT PANEL _____ NATURAL (OUTSIDE SURFACE TAPED WITH PVC)
 INNER BRACKETS _____ NATURAL
 FEET _____ BLACK

UNIT SHIPPED UNASSEMBLED.

OUTER BRACKETS FOR MOUNTING IN STANDARD 19" WIDE CABINETS.

OPTIONAL SELF-ADHESIVE RUBBER FEET (SUPPLIED)

LOAD RATING: 25 LBS. MAX.



Mouser Electronics

Authorized Distributor

Click to View Pricing, Inventory, Delivery & Lifecycle Information:

[Bud Industries:](#)

[NHC-14156](#)