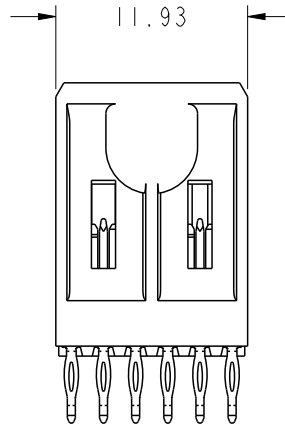
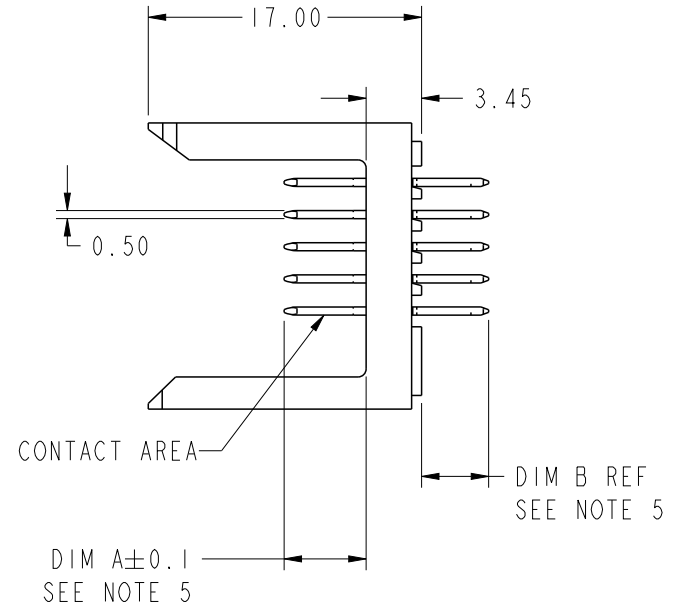
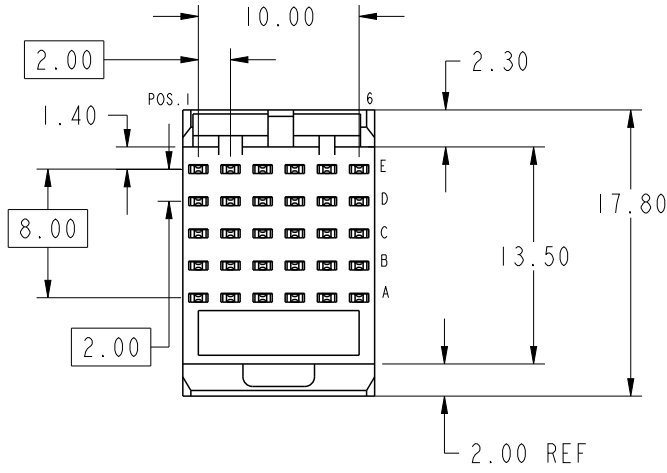


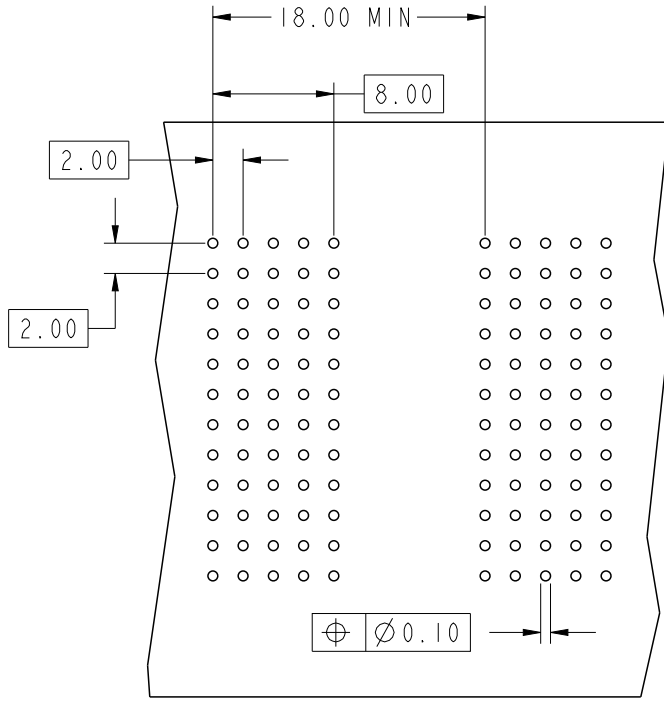
PRODUCT NUMBER
89006-XYX(L)LF

L REFER LUBRICATED (OPTIONAL)
SEE NOTE 2

X REFER PLATING PERFORMANCE
SEE NOTE 2



spec ref	*	dr	Terran Huang	2010/07/09	projection	MM ←→	size	A4	scale	2:1							
tolerance std	TOLERANCES UNLESS OTHERWISE SPECIFIED	eng	Nirmal Sam-MB	2023/12/14			ecn no	ELX-I-50115-1									
ISO 406 ISO 1101		chr	-	-			product family	METRAL	rel level	Released							
surface	3.200	appr	Mathew Jacob	2024/01/02	product family		METRAL	rel level	Released								
ISO 1302	linear	Amphenol FCi www.fci.com		title METRAL SIGNAL HEADER 1 MOD, 5 ROW PRESS-FIT			cat. no.		Product - Customer Drw								
	0.X										±0.3	dwg no		89006		rev	
	0.XX										±0.13						
	0.XXX	±.050															
	angular	0°	±2°														



REQUIRED PC BOARD LAYOUT
COMPONENT SIDE
SEE PRINT 58351 FOR
ADDITIONAL PCB INFORMATION

KEY		
CODE	DIMENSIONS	
	DIM "A" MATE	DIM "B" TAIL
1	5.00	4.30
2	5.75	4.30
3	6.50	4.30
4	7.25	4.30
5	5.00	13.60
6	5.75	13.60
7	6.50	13.60
8	7.25	13.60
9	5.00	17.00
10	5.75	17.00
11	6.50	17.00
12	7.25	17.00
13	8.25	4.30
14	8.25	13.60
15	8.25	17.00
16	7.00	4.30
17	7.00	13.60
18	7.00	17.00
19	8.00	4.30
20	8.00	13.60
21	8.00	17.00
59	5.00	11.80

spec ref	*	dr	Terran Huang	2010/07/09	projection 	MM 	size	A4	scale	2:1	
tolerance std	TOLERANCES UNLESS OTHERWISE SPECIFIED	eng	Nirmal Sam-MB	2023/12/14			ecn no	ELX-I-50115-1			
ISO 406 ISO 1101		chr	-	-				rel level	Released		
surface	3.200	appr	Mathew Jacob	2024/01/02	product family	METRAL					
ISO 1302	linear				title	METRAL SIGNAL HEADER		dwg no	89006	rev	BU
	angular				1 MOD, 5 ROW PRESS-FIT						
	0.X				cat. no.	-	Product - Customer Drw	sheet 2 of 10			
	±0.3										
	0.XX										
	±0.13										
	0.XXX										
	±0.050										
	0°										
	±2°										

METRAL P/N	ROW	CONTACT CODE MOD. I					
		1	2	3	4	5	6
89006-X10LF	E	1	1	1	1	1	1
	D	1	1	1	1	1	1
	C	1	1	1	1	1	1
	B	1	1	1	1	1	1
	A	1	1	1	1	1	1

spec ref	*	dr	Terran Huang	2010/07/09	projection		size	A4	scale	1:1						
tolerance std	TOLERANCES UNLESS OTHERWISE SPECIFIED	eng	Nirmal Sam-MB	2023/12/14		← MM →	ecn no	ELX-I-50115-1								
ISO 406		chr	-	-			rel level	Released								
ISO 1101		appr	Mathew Jacob	2024/01/02			product family	METRAL								
surface	3.200	linear	0.X	±0.3	Amphenol FCI	METRAL SIGNAL HEADER	dwg no	89006			rev					
ISO 1302	angular	0.XX	±0.13									www.fci.com	cat. no.	-	Product - Customer Drw	sheet 3 of 10
		0.XXX	±.050													
		angular	0°	±2°												

METRAL P/N	ROW	CONTACT CODE MOD. I					
		1	2	3	4	5	6
89006-X36LF	E	10	10	10	10	10	10
	D	10	10	10	10	10	10
	C	10	10	10	10	10	10
	B	10	10	10	10	10	10
	A	10	10	10	10	10	10
89006-X41LF	E	2	2	2	2	2	2
	D	1	1	1	1	1	1
	C	2	2	2	2	2	2
	B	2	2	2	2	2	2
	A	3	3	3	3	3	3
89006-X45LF	E	1	1	1	1	1	1
	D	19	19	19	19	19	19
	C	1	1	1	1	1	1
	B	19	19	19	19	19	19
	A	1	1	1	1	1	1
89006-X49LF	E	4	4	4	4	4	4
	D	3	3	3	3	3	3
	C	3	3	3	3	3	3
	B	3	3	3	3	3	3
	A	19	19	19	19	19	19
89006-X53LF	E	6	6	6	6	6	6
	D	6	6	6	6	6	6
	C	6	6	6	6	6	6
	B	6	6	6	6	6	6
	A	8	8	8	8	8	8
89006-X57LF	E	6	6	6	6	6	6
	D	7	7	7	7	7	7
	C	6	6	6	6	6	6
	B	6	6	6	6	6	6
	A	7	7	7	7	7	7
89006-X37LF	E	10	10	10	10	10	10
	D	10	10	10	10	10	10
	C	10	10	10	10	10	10
	B	10	10	10	10	10	10
	A	21	21	21	21	21	21
89006-X42LF	E	2	2	2	2	2	2
	D	4	4	4	4	4	4
	C	4	4	4	4	4	4
	B	3	3	3	3	3	3
	A	4	4	4	4	4	4
89006-X46LF	E	2	2	2	2	2	2
	D	2	2	2	2	2	2
	C	4	4	4	4	4	4
	B	2	2	2	2	2	2
	A	2	2	2	2	2	2
89006-X50LF	E	6	6	6	6	6	6
	D	6	6	6	6	6	6
	C	6	6	6	6	6	6
	B	8	8	8	8	8	8
	A	6	6	6	6	6	6
89006-X54LF	E	5	5	5	5	5	5
	D	7	7	7	7	7	7
	C	8	8	8	8	8	8
	B	7	7	7	7	7	7
	A	5	5	5	5	5	5
89006-X39LF	E	12	12	12	12	12	12
	D	12	12	12	12	12	12
	C	12	12	12	12	12	12
	B	12	12	12	12	12	12
	A	12	12	12	12	12	12
89006-X43LF	E	2	2	2	2	2	2
	D	2	2	2	2	2	2
	C	2	2	2	2	2	2
	B	2	2	2	2	2	2
	A	4	4	4	4	4	4
89006-X47LF	E	2	2	2	2	2	2
	D	3	3	3	3	3	3
	C	2	2	2	2	2	2
	B	2	2	2	2	2	2
	A	3	3	3	3	3	3
89006-X51LF	E	6	6	6	6	6	6
	D	5	5	5	5	5	5
	C	6	6	6	6	6	6
	B	6	6	6	6	6	6
	A	7	7	7	7	7	7
89006-X55LF	E	5	5	5	5	5	5
	D	20	20	20	20	20	20
	C	5	5	5	5	5	5
	B	20	20	20	20	20	20
	A	5	5	5	5	5	5
89006-X59LF	E	8	8	8	8	8	8
	D	7	7	7	7	7	7
	C	7	7	7	7	7	7
	B	7	7	7	7	7	7
	A	20	20	20	20	20	20
89006-X40LF	E	2	2	2	2	2	2
	D	2	2	2	2	2	2
	C	2	2	2	2	2	2
	B	4	4	4	4	4	4
	A	2	2	2	2	2	2
89006-X44LF	E	1	1	1	1	1	1
	D	3	3	3	3	3	3
	C	4	4	4	4	4	4
	B	3	3	3	3	3	3
	A	1	1	1	1	1	1
89006-X48LF	E	19	19	19	19	19	19
	D	19	19	19	19	19	19
	C	19	19	19	19	19	19
	B	19	19	19	19	19	19
	A	19	19	19	19	19	19
89006-X52LF	E	6	6	6	6	6	6
	D	8	8	8	8	8	8
	C	8	8	8	8	8	8
	B	7	7	7	7	7	7
	A	8	8	8	8	8	8
89006-X56LF	E	6	6	6	6	6	6
	D	6	6	6	6	6	6
	C	8	8	8	8	8	8
	B	6	6	6	6	6	6
	A	6	6	6	6	6	6
89006-X60LF	E	10	10	10	10	10	10
	D	10	10	10	10	10	10
	C	10	10	10	10	10	10
	B	12	12	12	12	12	12
	A	10	10	10	10	10	10

spec ref	*	dr	Terran Huang	2010/07/09	projection	size	A4	scale	1:1	
tolerance std	TOLERANCES UNLESS OTHERWISE SPECIFIED	eng	Nirmal Sam-MB	2023/12/14		MM	ecn no	ELX-I-50115-1	rel level	Released
ISO 406		chr	-	-						
ISO 1101		appr	Mathew Jacob	2024/01/02	product family	METRAL				
surface	3.200 ✓									
	linear	0.X	±0.3	Amphenol FCI	METRAL SIGNAL HEADER	dwg no	89006	rev	BU	
		0.XX	±0.13							
		0.XXX	±.050							
	angular	0°	±2°	www.fci.com	cat. no.	-	Product - Customer Drw	sheet 4 of 10		

METRAL P/N	ROW	CONTACT CODE MOD. I						METRAL P/N	ROW	CONTACT CODE MOD. I						METRAL P/N	ROW	CONTACT CODE MOD. I						METRAL P/N	ROW	CONTACT CODE MOD. I						METRAL P/N	ROW	CONTACT CODE MOD. I													
		1	2	3	4	5	6			1	2	3	4	5	6			1	2	3	4	5	6			1	2	3	4	5	6			1	2	3	4	5	6	1	2	3	4	5	6		
89006-X61LF	E	10	10	10	10	10	10	89006-X65LF	E	9	9	9	9	9	9	89006-X69LF	E	12	12	12	12	12	12	89006-X73LF	E	4	4	4	4	4	4	89006-X77LF	E	3	3	3	3	3	3	89006-X81LF	E	7	7	7	7	7	7
	D	9	9	9	9	9	9		D	21	21	21	21	21	D		11	11	11	11	11	11	D		4	4	4	4	4	4	D		19	19	19	19	19	D	20		20	20	20	20			
	C	10	10	10	10	10	10		C	9	9	9	9	9	C		11	11	11	11	11	11	C		4	4	4	4	4	4	C		4	4	4	4	4	4	C		7	7	7	7	7	7	
	B	10	10	10	10	10	10		B	21	21	21	21	21	B		11	11	11	11	11	11	B		4	4	4	4	4	4	B		3	3	3	3	3	3	B		20	20	20	20	20	20	
	A	11	11	11	11	11	11		A	9	9	9	9	9	A		21	21	21	21	21	21	A		13	13	13	13	13	13	A		3	3	3	3	3	3	A		7	7	7	7	7	7	

spec ref *		dr Terran Huang		2010/07/09		projection		size A4		scale 1:1											
tolerance std		eng Nirmal Sam-MB		2023/12/14						ecn no ELX-I-50115-1											
ISO 406 ISO 1101		chr -		-						rel level Released											
surface 3.200		appr Mathew Jacob		2024/01/02		product family METRAL		rev		dwg no 89006											
ISO 1302		<table border="1" style="width: 100%; border-collapse: collapse;"> <tr> <td>0.X</td><td>±0.3</td></tr> <tr> <td>0.XX</td><td>±0.13</td></tr> <tr> <td>0.XXX</td><td>±.050</td></tr> <tr> <td>angular</td><td>0°</td></tr> <tr> <td></td><td>±2°</td></tr> </table>		0.X	±0.3	0.XX	±0.13	0.XXX	±.050	angular	0°		±2°			METRAL SIGNAL HEADER 1 MOD, 5 ROW PRESS-FIT		Product - Customer Drw		sheet 5 of 10	
0.X	±0.3																				
0.XX	±0.13																				
0.XXX	±.050																				
angular	0°																				
	±2°																				
www.fci.com		cat. no. -		<div style="float: right; color: blue; font-weight: bold; font-size: 1.2em;">BU</div>																	

METRAL P/N	ROW	CONTACT CODE MOD. I					
		1	2	3	4	5	6
89006-X85LF	E	7	7	7	7	7	7
	D	7	7	7	7	7	7
	C	6	6	6	6	6	6
	B	7	7	7	7	7	7
	A	7	7	7	7	7	7

spec ref *		dr Terran Huang	2010/07/09			size A4	scale 1:1
tolerance std ISO 406 ISO 1101		eng Nirmal Sam-MB	2023/12/14			ecn no ELX-I-50115-1	
TOLERANCES UNLESS OTHERWISE SPECIFIED		chr -	-			rel level Released	
		appr Mathew Jacob		2024/01/02	product family METRAL		
surface 3.200	linear	0.X	±0.3		METRAL SIGNAL HEADER 1 MOD, 5 ROW PRESS-FIT	dwg no 89006	rev BU
		0.XX	±0.13				
	angular	0°	±2°				
ISO 1302		www.fci.com		cat. no. -	Product - Customer Drw		sheet 6 of 10

METRAL P/N	ROW	CONTACT CODE MOD. I					
		1	2	3	4	5	6
89006-X109LF	E	59	59	59	59	59	59
	D	59	59	59	59	59	59
	C	59	59	59	59	59	59
	B	59	59	59	59	59	59
	A	77	77	77	77	77	77
89006-X113LF	E	66	66	66	66	66	65
	D	66	66	66	66	66	66
	C	66	66	66	66	66	66
	B	66	66	66	66	66	66
	A	66	66	66	66	66	66
89006-X117LF	E	66	66	66	66	66	66
	D	86	66	66	66	66	66
	C	66	66	66	66	66	66
	B	66	86	66	66	66	66
	A	66	86	66	66	66	66
89006-X121LF	E	86	66	66	66	66	66
	D	86	66	66	66	66	66
	C	56	66	66	66	66	66
	B	86	66	66	66	66	66
	A	86	66	66	66	66	66
89006-X125LF	E	66	66	66	66	66	66
	D	66	66	66	66	66	66
	C	20	20	20	20	20	20
	B	66	66	66	66	66	66
	A	66	66	66	66	66	66
89006-X129LF	E	22	22	22	22	44	44
	D	22	22	22	22	44	44
	C	22	22	22	22	44	42
	B	22	22	22	22	44	44
	A	22	22	22	22	22	21
89006-X110LF	E	32	22	22	22	22	22
	D	32	22	22	22	22	22
	C	32	22	22	22	22	22
	B	32	22	22	22	22	22
	A	32	22	22	22	22	22
89006-X114LF	E	42	23	32	42	42	42
	D	42	23	32	42	42	42
	C	42	23	32	42	42	42
	B	42	23	32	42	42	42
	A	42	23	32	42	42	42
89006-X118LF	E	86	66	66	66	66	66
	D	86	66	66	66	66	66
	C	86	66	66	66	66	66
	B	86	66	66	66	66	66
	A	86	66	66	66	66	66
89006-X122LF	E	33	32	22	22	22	22
	D	22	22	22	22	22	22
	C	22	22	22	22	22	22
	B	22	22	22	22	22	22
	A	22	22	22	22	22	22
89006-X126LF	E	22	22	42	22	22	22
	D	22	22	42	22	22	22
	C	22	22	42	22	22	22
	B	22	22	42	22	22	22
	A	22	22	22	22	22	22
89006-X130LF	E	22	22	22	22	22	22
	D	44	44	44	44	44	44
	C	44	44	44	44	44	44
	B	44	44	44	44	44	44
	A	22	22	22	22	22	22
89006-X111LF	E	22	22	22	22	23	23
	D	22	22	22	22	23	23
	C	22	22	22	22	23	23
	B	22	22	22	22	23	23
	A	22	22	22	22	23	23
89006-X115LF	E	22	22	12	22	22	22
	D	22	22	12	22	22	22
	C	22	22	12	22	22	22
	B	22	22	12	22	22	22
	A	12	22	12	22	22	22
89006-X119LF	E	22	22	22	22	22	22
	D	22	22	22	22	22	22
	C	12	22	22	22	22	22
	B	12	22	22	22	22	22
	A	12	22	22	22	22	22
89006-X123LF	E	22	22	22	22	22	22
	D	22	22	22	22	22	22
	C	19	19	19	19	19	19
	B	22	22	22	22	22	22
	A	22	22	22	22	22	22
89006-X127LF	E	22	42	22	22	22	22
	D	24	42	22	22	22	22
	C	24	42	22	22	22	22
	B	24	42	22	22	22	22
	A	22	42	22	22	22	22
89006-X131LF	E	86	66	86	66	66	66
	D	86	66	86	66	66	66
	C	88	88	88	56	66	66
	B	86	66	86	66	66	66
	A	86	66	86	66	66	66
89006-X112LF	E	76	66	66	66	66	66
	D	76	66	66	66	66	66
	C	76	66	66	66	66	66
	B	76	66	66	66	66	66
	A	76	66	66	66	66	66
89006-X116LF	E	56	66	66	66	66	66
	D	56	66	66	66	66	66
	C	56	66	66	66	66	66
	B	56	66	66	66	66	66
	A	56	66	66	66	66	66
89006-X120LF	E	22	22	22	22	42	42
	D	22	22	22	22	42	42
	C	22	22	22	22	42	42
	B	22	22	22	22	42	42
	A	22	22	22	22	42	42
89006-X124LF	E	22	22	12	22	22	22
	D	22	22	22	22	22	22
	C	22	22	22	22	22	22
	B	22	22	22	22	22	22
	A	22	22	22	22	22	22
89006-X128LF	E	22	22	42	22	22	22
	D	22	22	42	42	22	22
	C	22	22	42	42	22	22
	B	22	22	42	42	22	22
	A	22	22	42	22	22	22
89006-X132LF	E	86	76	66	66	66	66
	D	86	76	66	66	66	66
	C	56	66	86	66	66	66
	B	88	78	86	66	66	66
	A	88	78	86	66	66	66

spec ref	*	dr	Terran Huang	2010/07/09	projection	size	A4	scale	1:1			
tolerance std	TOLERANCES UNLESS OTHERWISE SPECIFIED	eng	Nirmal Sam-MB	2023/12/14		MM	ecn no	ELX-I-50115-1	rel level	Released		
ISO 406		chr	-	-								
ISO 1101		appr	Mathew Jacob	2024/01/02	product family	METRAL						
surface	3.200	Amphenol FCI	METRAL SIGNAL HEADER			dwg no	89006		rev	BU		
	linear		0.X	±0.3	1 MOD, 5 ROW PRESS-FIT							
	angular		0°	±2°								
ISO 1302		www.fci.com	cat. no.	-	Product - Customer Drw			sheet 7 of 10				

METRAL P/N	ROW	CONTACT CODE MOD. I						METRAL P/N	ROW	CONTACT CODE MOD. I						METRAL P/N	ROW	CONTACT CODE MOD. I						METRAL P/N	ROW	CONTACT CODE MOD. I						METRAL P/N	ROW	CONTACT CODE MOD. I																										
		1	2	3	4	5	6			1	2	3	4	5	6			1	2	3	4	5	6			1	2	3	4	5	6			1	2	3	4	5	6	1	2	3	4	5	6															
89006-X133LF	E	2	2	2	2	2	89006-X137LF	E	2	2	2	3	3	2	89006-X141LF	E	1	1	1	1	3	3	89006-X145LF	E	5	5	1	1	7	5	89006-X149LF	E	2	2	2	2	2	1	89006-X153LF	E	2	2	2	2	2	2														
	D	2	2	2	2	2		D	2	2	2	3	3	2		D	1	1	1	1	3	3		D	5	5	1	1	7	5		D	2	2	2	2	2	2		D	2	2	2	2	2	2														
	C	2	2	2	2	2		C	2	2	2	3	3	2		C	3	3	3	3	3	3		C	5	5	1	1	7	7		C	2	2	2	2	2	2		C	2	2	2	2	2	2	C	2	2	2	2	2	2							
	B	2	2	2	2	2		B	2	2	2	3	3	2		B	1	1	1	1	3	1		B	5	5	1	1	7	5		B	2	2	2	2	2	2		B	2	2	2	2	2	2	B	2	2	2	2	2	2	B	2	2	2	2	2	2
	A	2	2	1	2	2		2	A	2	2	2	3	3		2	A	1	1	1	1	3		1	A	5	5	1	1	7		5	A	2	2	2	2	2		2	A	2	2	2	2	2	2	A	4	2	2	2	2	2						

spec ref	*	dr	Terran Huang	2010/07/09	projection	size	A4	scale	1:1			
tolerance std	TOLERANCES UNLESS OTHERWISE SPECIFIED	eng	Nirmal Sam-MB	2023/12/14		MM	ecn no	ELX-I-50115-1				
ISO 406		chr	-	-				rel level	Released			
ISO 1101		appr	Mathew Jacob	2024/01/02	product family	METRAL		rev	BU			
surface	3.200	near	0.X	±0.3	Amphenol FCI	METRAL SIGNAL HEADER	dwg no	89006				
ISO 1302	angular	0.XX	±0.13					www.fci.com	cat. no.	-	Product - Customer Drw	
		0.XXX	±0.050								sheet 8 of 10	
		angular	0°	±2°								

Creo F-114; ELX-MC-AAC; REV F; 2020-12-21

METRAL P/N	ROW	CONTACT CODE MOD. 1					
		1	2	3	4	5	6
89006-X157LF	E	2	2	2	2	2	19
	D	2	2	2	2	2	19
	C	2	2	2	2	2	19
	B	2	2	2	2	2	19
	A	2	2	1	2	2	19

METRAL P/N	ROW	CONTACT CODE MOD. 1					
		1	2	3	4	5	6
89006-X161LF	E	3	3	4	4	4	4
	D	3	3	3	4	4	4
	C	3	3	3	4	4	4
	B	3	3	3	4	4	4
	A	3	3	3	4	4	4

METRAL P/N	ROW	CONTACT CODE MOD. 1					
		1	2	3	4	5	6
89006-X158LF	E	19	2	19	2	19	19
	D	19	2	19	2	19	19
	C	19	2	19	2	19	19
	B	19	2	19	2	19	19
	A	19	2	19	2	19	19

METRAL P/N	ROW	CONTACT CODE MOD. 1					
		1	2	3	4	5	6
89006-X162LF	E	2	2	2	3	3	3
	D	2	2	2	3	3	3
	C	2	2	2	2	2	2
	B	2	2	2	2	2	2
	A	2	2	2	2	2	2

METRAL P/N	ROW	CONTACT CODE MOD. 1					
		1	2	3	4	5	6
89006-X159LF	E	2	2	2	2	4	19
	D	2	2	2	2	2	19
	C	2	2	2	2	2	19
	B	2	2	2	2	2	19
	A	2	2	1	2	2	19

METRAL P/N	ROW	CONTACT CODE MOD. 1					
		1	2	3	4	5	6
89006-X163LF	E	2	3	3	3	3	3
	D	2	3	3	3	3	3
	C	2	3	3	3	3	3
	B	2	3	3	3	3	3
	A	2	3	3	3	3	3

METRAL P/N	ROW	CONTACT CODE MOD. 1					
		1	2	3	4	5	6
89006-X160LF	E	2	2	2	2	2	1
	D	2	2	2	2	2	2
	C	4	4	4	4	4	4
	B	2	2	2	2	2	2
	A	2	2	2	2	2	2

METRAL P/N	ROW	CONTACT CODE MOD. 1					
		1	2	3	4	5	6
89006-X164LF	E	2	3	3	3	3	3
	D	2	3	3	3	3	3
	C	3	3	3	3	3	3
	B	2	2	2	2	2	2
	A	2	2	2	2	2	2

spec ref	*	dr	Terran Huang	2010/07/09	projection		size	A4	scale	1:1		
tolerance std	TOLERANCES UNLESS OTHERWISE SPECIFIED	eng	Nirmal Sam-MB	2023/12/14				ecn no ELX-I-50115-1				
ISO 406 ISO 1101		chr	-	-				product family	METRAL	rel level	Released	
surface	3.200	appr	Mathew Jacob	2024/01/02	product family		METRAL	rel level	Released			
ISO 1302	linear	0.X	±0.3		title		METRAL SIGNAL HEADER			89006	rev	BU
		0.XX	±0.13		1 MOD, 5 ROW PRESS-FIT							
	angular	0°	±2°		cat. no.		-			Product - Customer Draw		sheet 9 of 10

PRODUCT NUMBER

SEE SHEET 1

NOTES:

1. MATERIAL : BODY : LCP UL94-V0
: CONTACT : COPPER ALLOY.
2. FOR PLATING PERFORMANCE REFER DRAWING # 10159408
3. ALL PRODUCTS WITH PART NUMBERS SHOWN IN
SUBSEQUENT TABLES WILL BE PACKAGED IN TUBES.
IF TRAY PACKAGING IS REQUIRED, A SUFFIX "P"
WILL BE ADDED TO THE END OF THE PART NUMBER.
EXAMPLE: XXXXX-XXXXP
4. PRODUCT SPECIFICATION GS-12-180
APPLICATION SPECIFICATION BUS-20-073
5. AFTER INSERTION INTO CIRCUIT BOARD WITH
QUALIFIED TOOL.
6. THE PRODUCTS WHERE THE PART NUMBER ENDS IN LF MEET THE
EUROPEAN UNION DIRECTIVES AND OTHER COUNTRY REGULATIONS
AS DESCRIBED IN GS-47-0004.

ALL PRODUCTS WILL WITHSTAND EXPOSURE TO 260°C FOR 60 SECONDS
IN A CONVECTION, INFRA-RED OR VAPOR PHASE REFLOW OVEN. Au CONTACT
SURFACE OF THE CONTACTS SHALL BE EXPOSED TO A MAXIMUM 140°C FOR
NO LONGER THAN 15 SECONDS IN A WAVE SOLDER APPLICATION.

7. A Δ SYMBOL WILL BE NEXT TO ANY DIMENSION, VIEW, OR NOTE
WHICH HAS BEEN MODIFIED WITH THE CURRENT DRAWING REVISION.

spec ref *		dr Terran Huang		2010/07/09	projection 	MM 	size A4	scale 1:1
tolerance std ISO 406 ISO 1101		eng Nirmal Sam-MB		2023/12/14			ecn no ELX-I-50115-1	
TOLERANCES UNLESS OTHERWISE SPECIFIED		chr -		-			rel level Released	
surface 3.200 ISO 1302		linear	0.X	±0.3	Amphenol FCi	title METRAL SIGNAL HEADER 1 MOD, 5 ROW PRESS-FIT	dwg no 89006	rev BU
			0.XX	±0.13				
		angular	0.XXX	±.050	cat. no. -	Product - Customer Drw	sheet 10 of 10	
			0°	±2°				