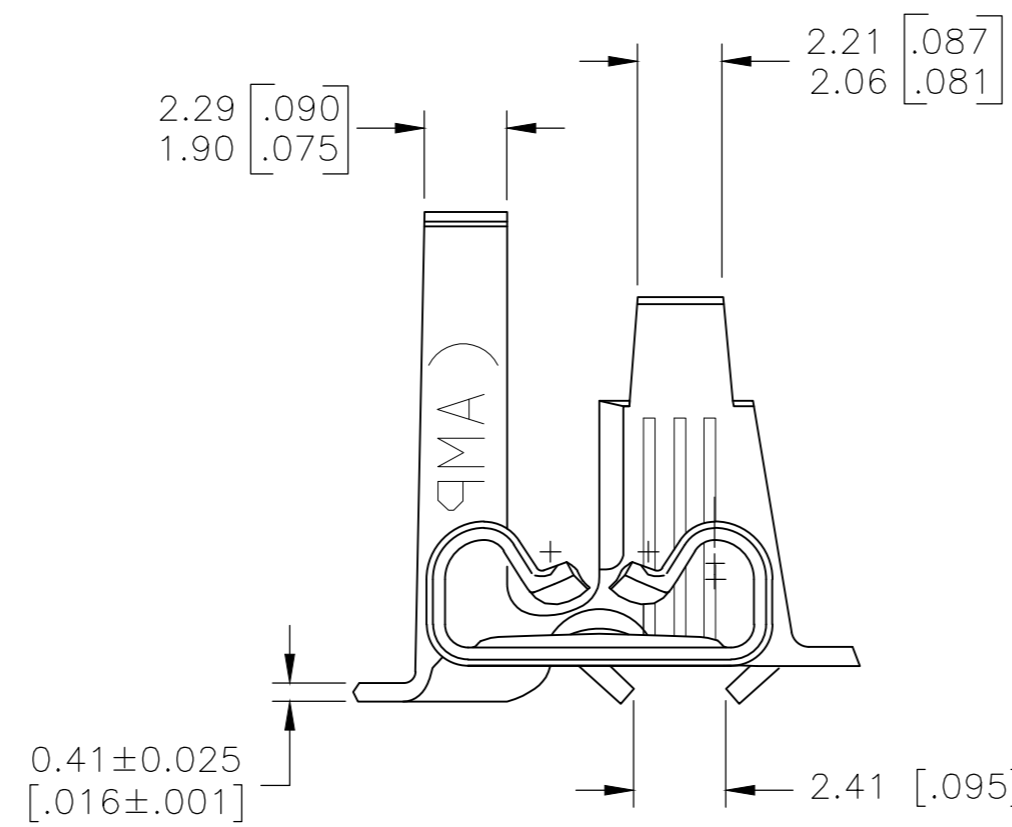
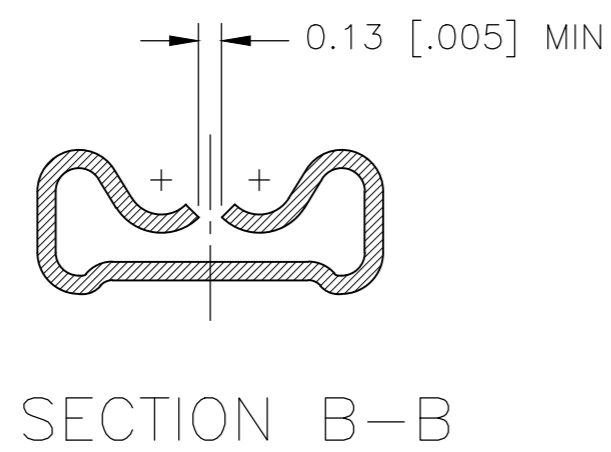
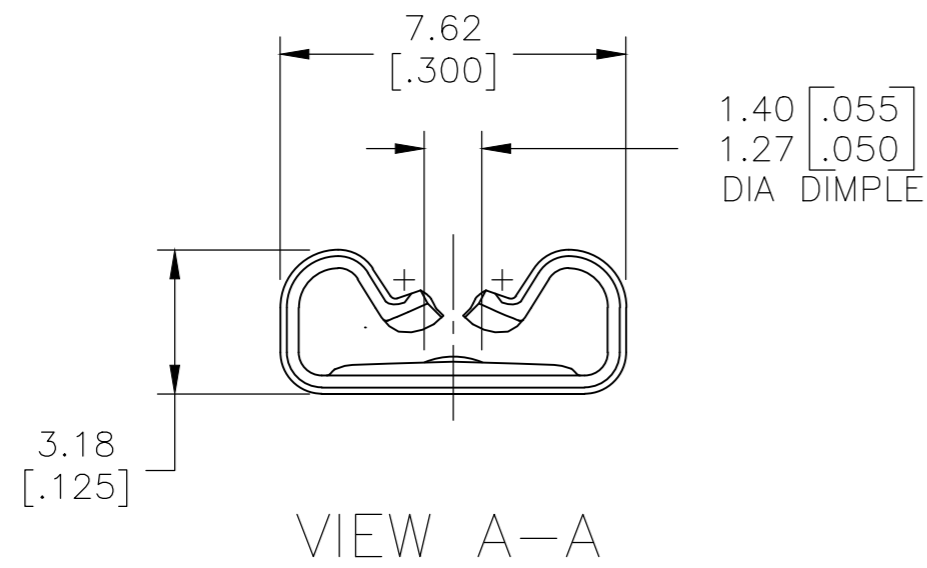
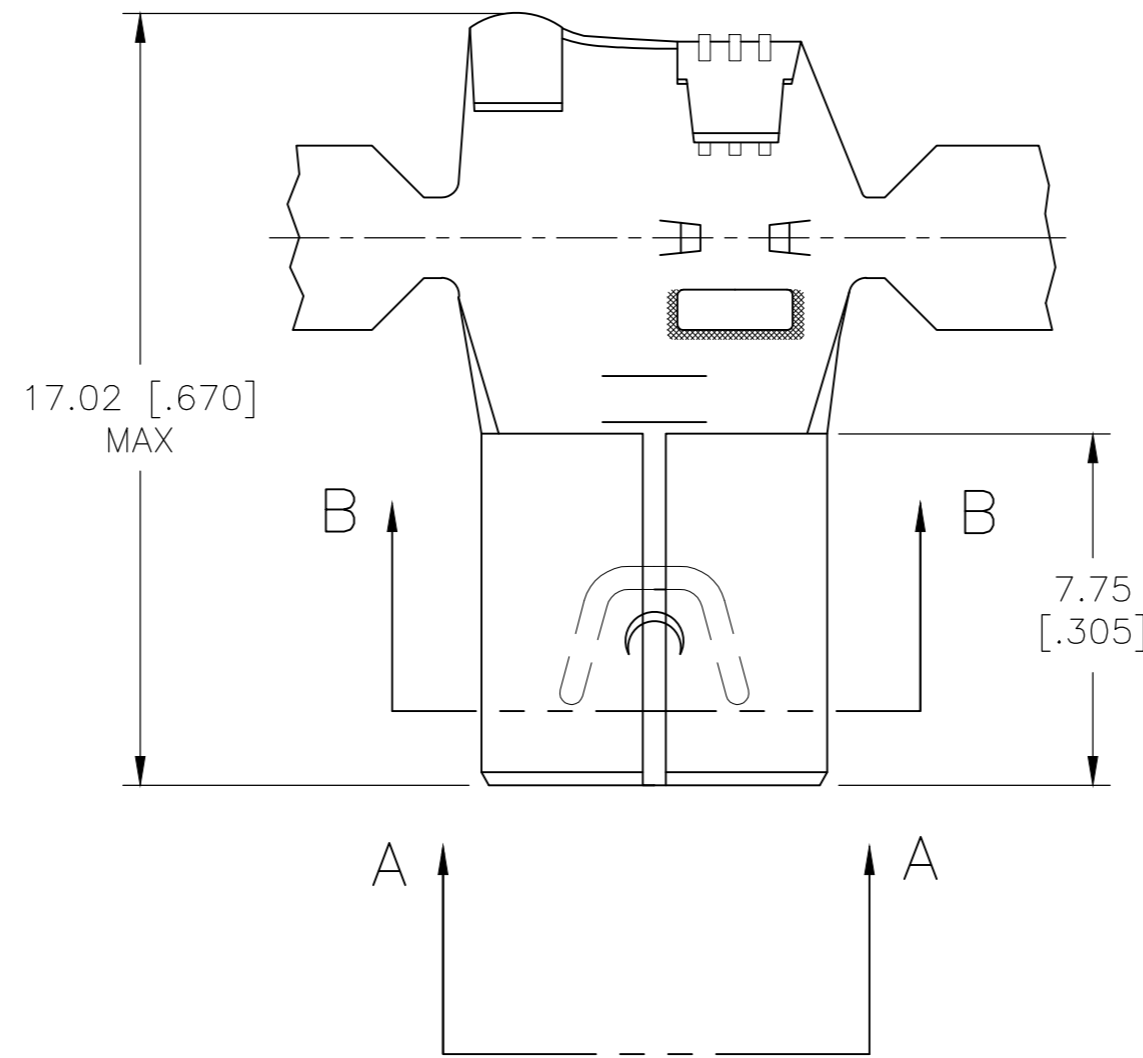


THIS DRAWING IS UNPUBLISHED. RELEASED FOR PUBLICATION
 © COPYRIGHT - By - ALL RIGHTS RESERVED.

REVISIONS				
P	LTR	DESCRIPTION	DATE	APVD
A10		REVISED PER ECR-17-018730	04JAN2018	DT TD

- 1 CONTINUOUS STRIP ON REELS
- 2 WIRE SIZE: SINGLE 18-12, 2-18's OR 1-18/1-16
- 3 INSULATION RANGE IS 2.29-5.33 [.110-.210] DIA
- 4 MATING TAB THK IS 0.81±0.025 [.032±.001]
- 5 0.00381 [.000150] MIN NICKEL PLATE
- 6 THIS PART DASH # IS UL APPROVED FOR AWG 18-14 ONLY
- 7 REELING ORIENTATION ACCORDING TO TE SPEC. 107-3 FIG. 243
- 8 THIS PART DASH # IS UL APPROVED FOR AWG 18-12
- 9 THIS PART SHARE THE SAME DESIGN WHIT 1742543-1, BUT DIFFERENT IN PACKAGING QUANTY.



NICKEL	CR STEEL	9	1742543-4
TIN	BRASS	8	1742543-3
NICKEL	CR STEEL	6	1742543-1
FINISH	MATERIAL	PART NO	

THIS DRAWING IS A CONTROLLED DOCUMENT.		DWN	jr ruth	29JAN07		TE Connectivity							
DIMENSIONS: mm [INCHES]		CHK	P DESANTIS	26JAN07		RECEPTACLE, FASTON, FLAG, 6.35 [.250] SERIES							
TOLERANCES UNLESS OTHERWISE SPECIFIED:		APVD	P DESANTIS	26JAN07		SIZE	CAGE CODE	DRAWING NO	RESTRICTED TO				
0 PLC ± - 1 PLC ± - 2 PLC ± - 3 PLC ± 0.25 [.010] 4 PLC ± - ANGLES ± 5°		PRODUCT SPEC	114-2078			A2	00779	C=1742543	-				
MATERIAL SEE TABLE		FINISH	SEE TABLE		WEIGHT	0.000000		SCALE	6:1	SHEET	1 of 1	REV	A10
CUSTOMER DRAWING													

Mouser Electronics

Authorized Distributor

Click to View Pricing, Inventory, Delivery & Lifecycle Information:

[TE Connectivity:](#)

[1742543-1](#) [1742543-1 \(Cut Strip\)](#) [1742543-1 \(Mouser Reel\)](#)