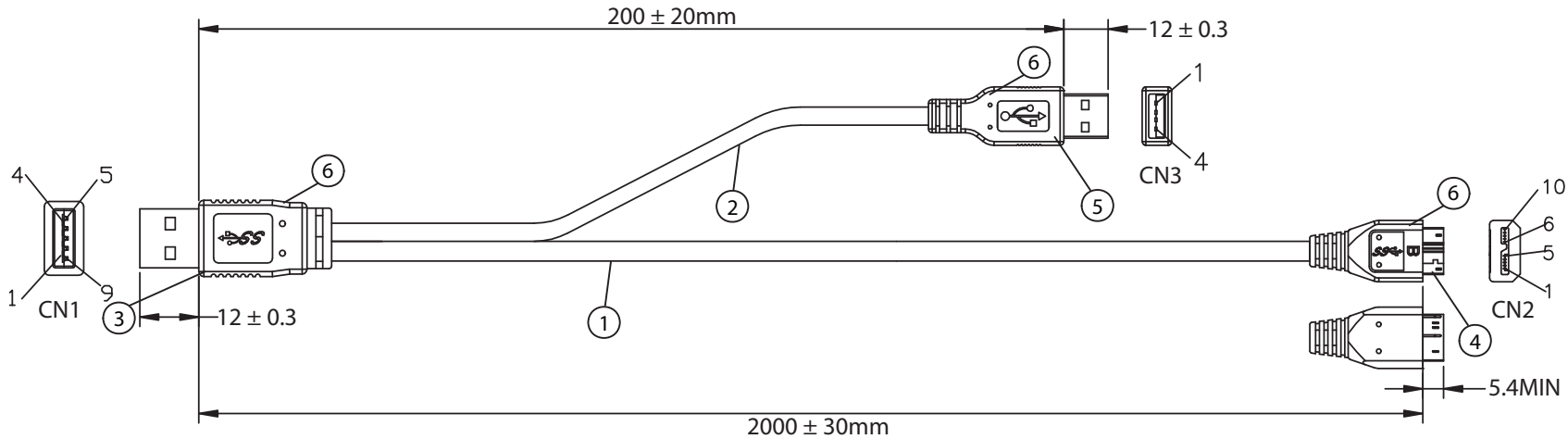


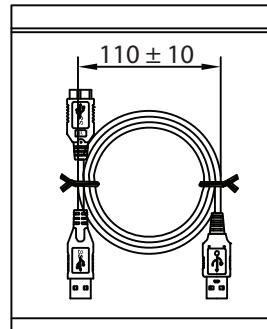
THESE DRAWINGS ARE THE PROPERTY OF QUALTEK ELECTRONICS AND NOT TO BE REPRODUCED FOR OR COMMUNICATED TO A THIRD PARTY WITHOUT THE EXPRESS WRITTEN PERMISSION OF AN OFFICER OF QUALTEK ELECTRONICS.

REVISION			
REV.	DESCRIPTION	DATE	APPROVED
B	Updated Graphics and Notes	10-13-14	LY



**NOTES:**

1. CABLE: UL20276  
(30AWG\*1PR+EAM)\*2+30AWG\*1PR+24AWG\*2C+AEB(AL) 65%  
OUTER JACKET: BLACK, OD: 5.5 ± 0.2mm
2. CABLE: UL2725  
30AWG\*1PR+28AWG\*2C+AEB(48B AL)  
OUTER JACKET: BLACK, OD: 3.5 ± 0.2mm
3. CONNECTOR: USB 3.0 A TYPE MALE  
INSULATOR: BLUE PBT  
PIN G/F  
NICKEL PLATED SHELL
4. CONNECTOR: MICRO USB 3.0 B TYPE MALE  
INSULATOR: BLACK  
PIN G/F  
NICKEL PLATED SHELL
5. CONNECTOR: USB 2.0 A TYPE MALE  
INSULATOR: BLACK PBT  
PIN G/F  
NICKEL PLATED SHELL
6. PVC MOLDED: V398 45P BLACK
7. PACKING: 1PC/POLYBAG
8. ELECTRICAL TEST:
  - <1>.100% OPEN SHORT & MISS WIRE TEST
  - <2>.INSULATION RESISTANCE: AC/DC300V 10M ohm MIN.
  - <3>.CONDUCTOR RESISTANCE: 2 ohm MAX.



PIN OUT			
CN3	CN1	CN2	
1 — RED	1 — RED	1	
	2 — WHITE	2	
	3 — GREEN	3	
4 — BLACK	4 — BLACK	5	
	5 — BLUE	6	
	6 — YELLOW	7	
	7 — DRAIN WIRE	8	
	8 — PURPLE	9	
	9 — ORANGE	10	
SHELL — BRAID	SHELL — BRAID	SHELL	

**CONTROLLED**

Dim range (mm)	Tolerance +/- (mm)	Qualtek Electronics Corp. WCI DIVISION		
		Part Number: 3023023-02M		RoHS Compliant
0-1	0.15	Description: USB 3.0 A/M - MICRO USB 3.0 B/M + POWER CABLE		
1-6	0.20			
6-18	0.30			
18-50	0.50			
50-120	0.70			
120-250	0.90			
250-500	1.20			
		UNIT: mm	REV. B	
		Drawn / Date	Checked / Date	Approved / Date
		R.Nuti 06-25-10	06-25-10	LY / 06-25-10

# Mouser Electronics

Authorized Distributor

Click to View Pricing, Inventory, Delivery & Lifecycle Information:

[Qualtek:](#)

[3023023-02M](#)