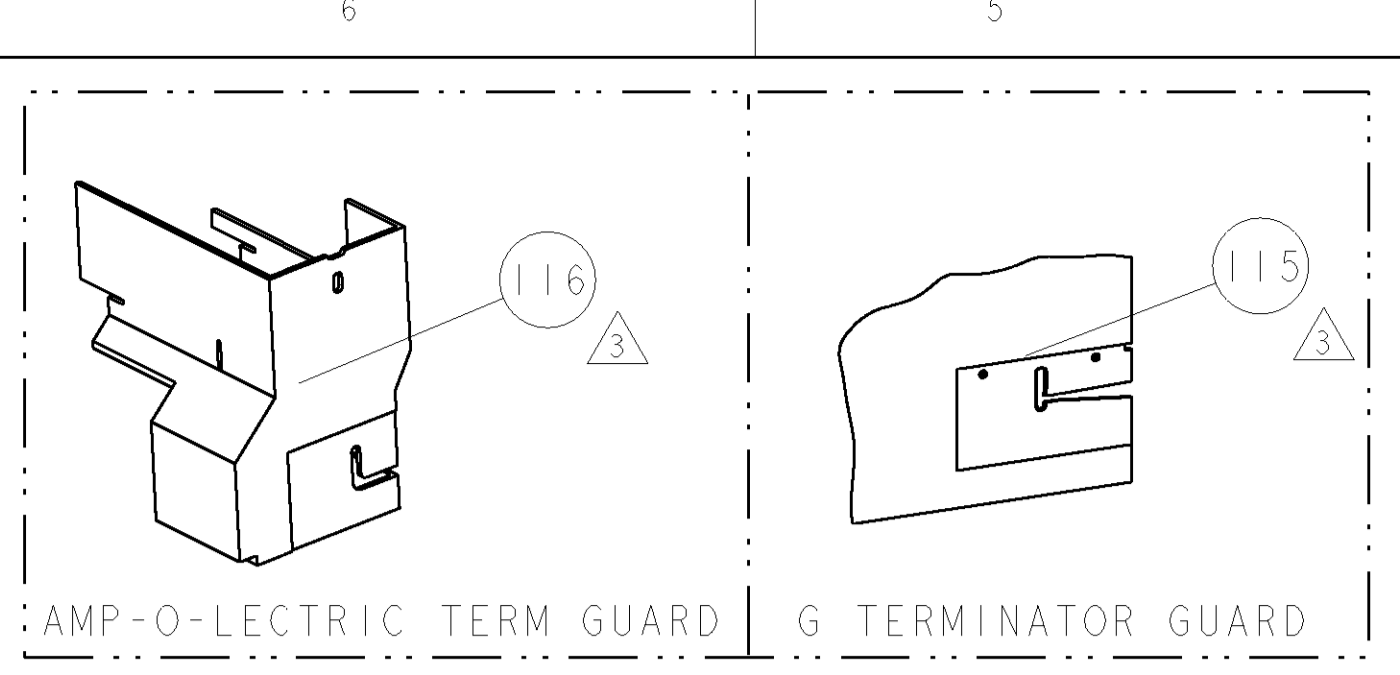


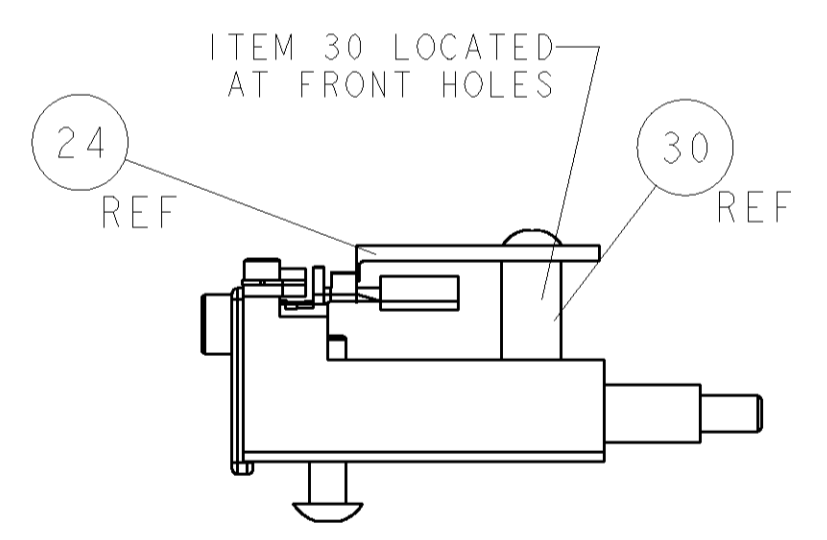
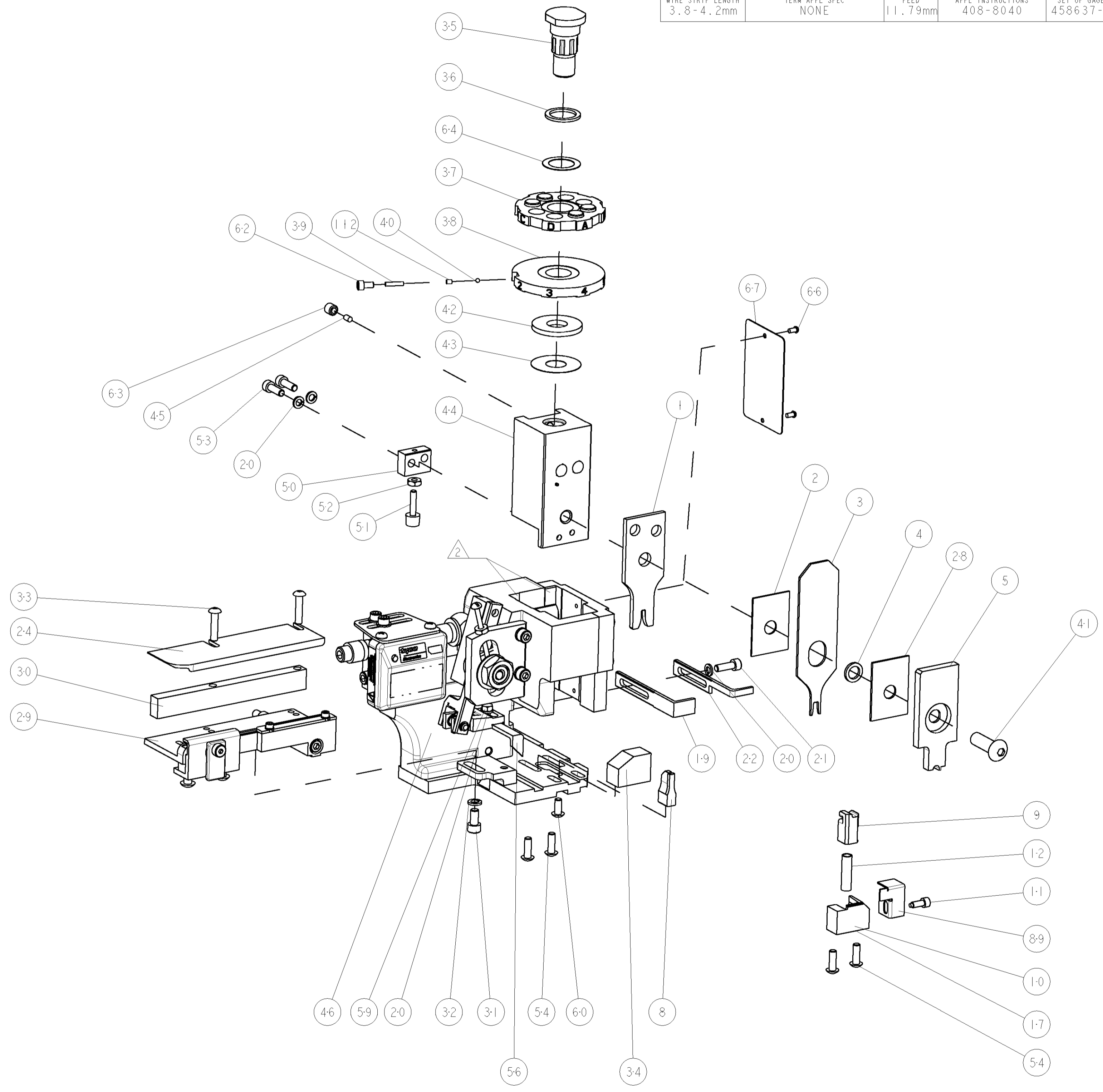
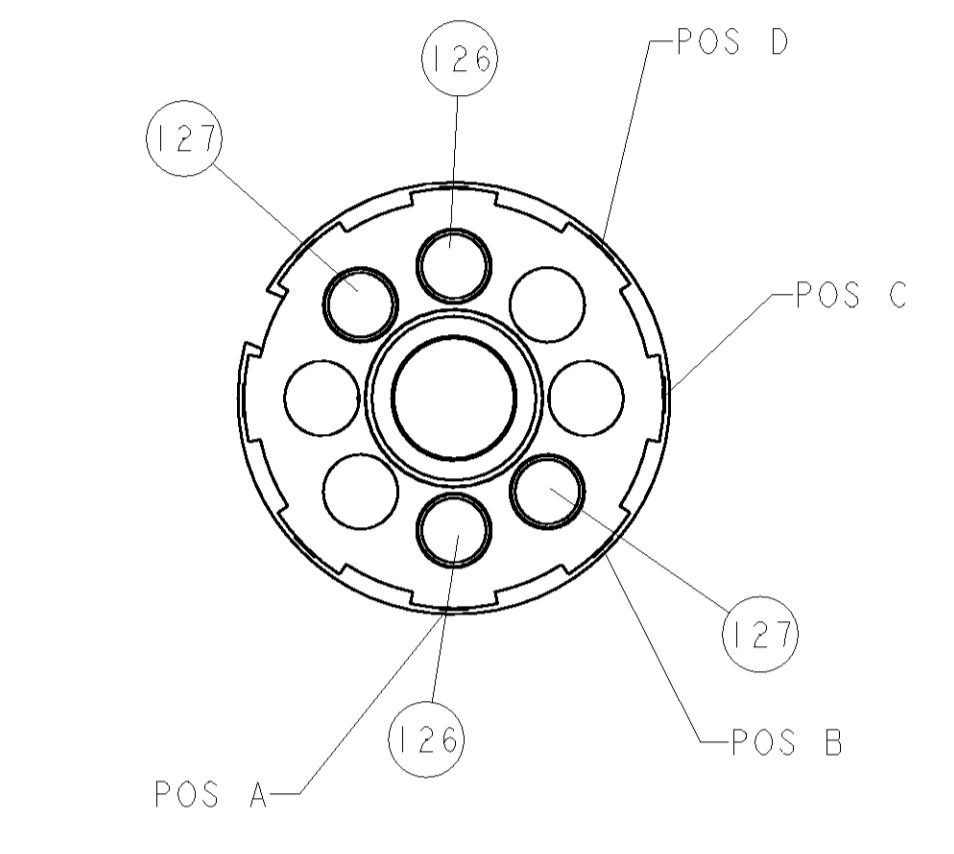
PART NUMBER	REV	FIRST USED	POWER UNIT	FEED TYPE	DESCRIPTION
1852167-1	A	122500-1	LEADMAKER	POST FEED	CUTS CARRIER
1852167-2	A	565435-5	BENCH MODEL K	PRE FEED	CUTS CARRIER
1852167-3	A	354500-1	BENCH MODEL G	PRE FEED	CUTS CARRIER
1852167-6	A	122500-1	LEADMAKER	POST FEED	CONTINUOUS CARRIER
7-1852167-7	A	-	-	-	SPARE PARTS



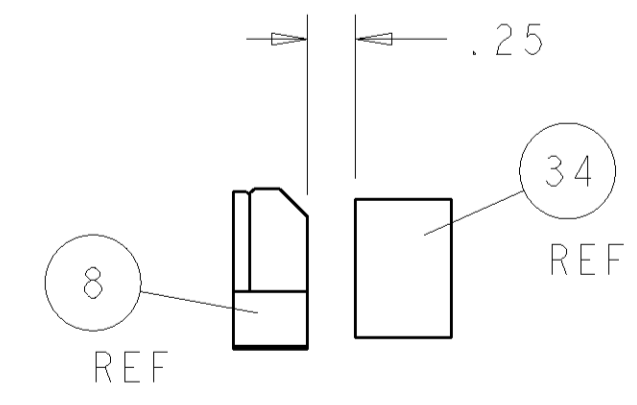
TYCO PN		MANF PN		GROTE & HARTMANN TERMINAL - AMP CRIMP SPECS	
1572873	28273.306.185				
		PAD LTR		CRIMP HEIGHT	WIRE SIZE
		A		1.70±0.05mm [.067±.002]	2.5mm2
		B		1.45±0.05mm [.057±.002]	1.5mm2
		C		-	-
		D		-	-
		CRIMP	SIZE	TYPE	RANGE
			2.60mm [.102]	F	1.5 & 2.5mm2
		WIRE	3.60mm [.142]	F	∅2.59mm MAX
		INSUL			
WIRE STRIP LENGTH	TERM APPL SPEC	FEED	APPL INSTRUCTIONS	SET UP GAGE	
3.8-4.2mm	NONE	11.79mm	408-8040	458637-1	

LOC	DIST	P	LTR	DESCRIPTION	DATE	BY	APPD
A	66			RELEASED	07DEC2005	LG	GB

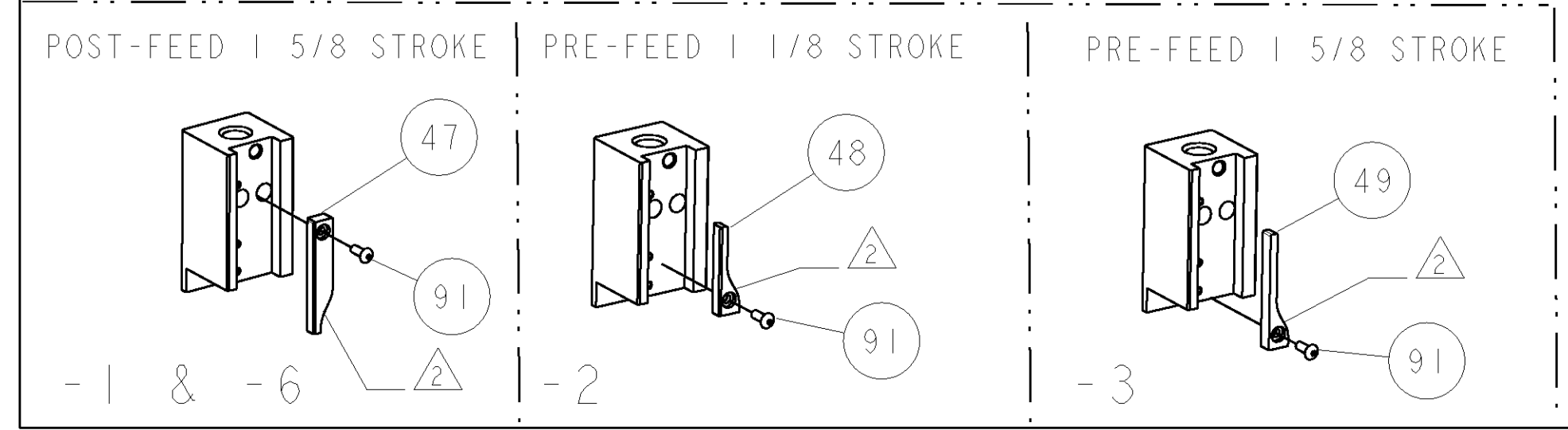
- △ RECOMMENDED SPARE PARTS
- △ GREASE LIGHTLY
- △ GUARD MUST BE IN PLACE WHEN OPERATING APPLICATOR IN A BENCH MACHINE



FEED TRACK POSITION



TERMINAL SUPPORT LOCATION



QTY	REV	LOC	DIST	P	LTR	DESCRIPTION	DATE	BY	APPD	ITEM NO
-	2	2	2	2		2-354779-2				127
-	2	2	2	2		354779-1				126
-	-	-	REF	-		455749-1				116
-	-	REF	-	-		679532-1				115
-	1	1	1	1		690603-1				112
-	1	1	1	1		1-21002-7				91
-	1	1	1	1		318563-1				89
-	1	1	1	1		4088040				72
-	1	1	1	1		217238-1				71
-	1	1	1	1		461264-1				67
-	2	2	2	2		21017-2				66
-	1	1	1	1		986950-1				64
-	1	1	1	1		21009-2				63
-	1	1	1	1		23030-1				62
-	1	1	1	1		22733-8				60
-	1	1	1	1		2-22603-0				59
-	1	1	1	1		458537-2				56
-	4	4	4	4		2-21002-2				54
-	2	2	2	2		2-21000-7				53
-	1	1	1	1		21018-5				52
-	1	1	1	1		811242-2				51
-	1	1	1	1		690753-1				50
-	-	1	-	-		690602-6				49
-	1	-	-	1		690501-4				47
-	1	1	1	1		459456-1				46
-	1	1	1	1		690191-1				45
-	1	1	1	1		455673-1				44
-	1	1	1	1		690125-1				43
-	1	1	1	1		690124-1				42
-	1	1	1	1		7-21002-9				41
-	1	1	1	1		23241-6				40
-	1	1	1	1		690170-1				39
-	1	1	1	1		1-690142-3				38
-	1	1	1	1		354777-1				37
-	1	1	1	1		22480-5				36
-	1	1	1	1		690212-1				35
-	1	1	1	1		690786-4				34
-	2	2	2	2		2-21002-4				33
-	1	1	1	1		21024-5				32
-	1	1	1	1		3-21000-4				31
-	1	1	1	1		1320908-8				30
-	1	1	1	1		1633091-3				29
-	1	1	1	1		1-455888-0				28
-	1	1	1	1		1320928-1				24
-	1	-	-	1		690472-2				22
-	1	1	1	1		2-21000-7				21
-	4	4	4	4		21024-4				20
-	-	1	1	-		690472-9				19
△	-	-	-	-		679625-1				17
-	1	1	1	1		3-22280-3				12
-	1	1	1	1		690461-1				11
△	-	-	1	1		690459-1				10
△	-	1	1	1		454276-1				9
△	1	1	1	1		4-1633116-0				8
-	1	1	1	1		1-455889-4				5
-	1	1	1	1		4-238011-3				4
△	1	1	1	1		6-1424909-1				3
-	1	1	1	1		455888-7				2
△	1	1	1	1		3-1633305-3				1

DIMENSIONS:		TOLERANCES UNLESS OTHERWISE SPECIFIED:		MATERIAL:		FINISH:		WEIGHT:		CUSTOMER DRAWING:	
INCHES		0 PLC	±								
		1 PLC	±0.1								
		2 PLC	±0.01								
		3 PLC	±0.001								
		4 PLC	±0.0001								
		ANGLES	±0.0001								

Mouser Electronics

Authorized Distributor

Click to View Pricing, Inventory, Delivery & Lifecycle Information:

[TE Connectivity:](#)

[1852167-6](#)