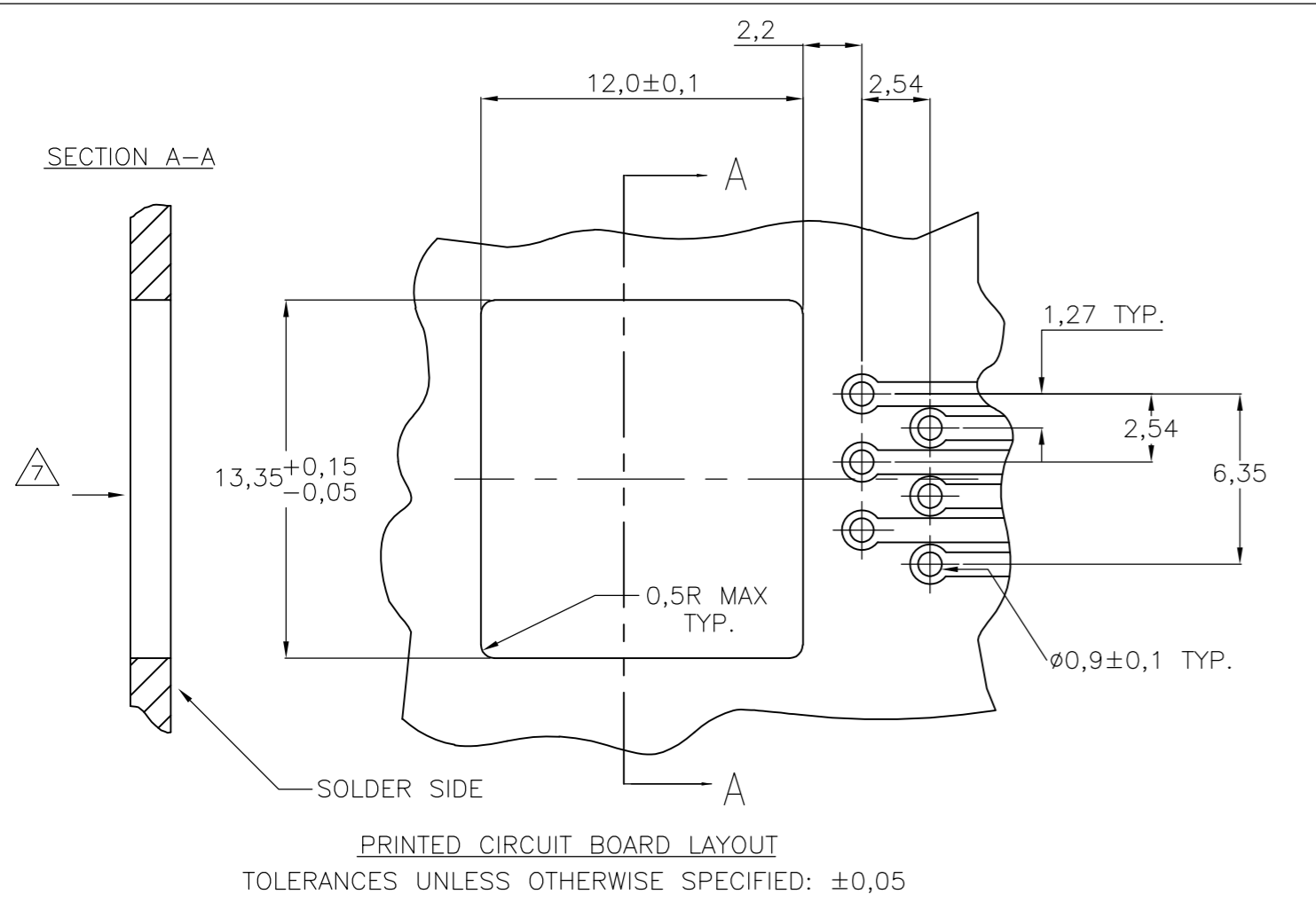
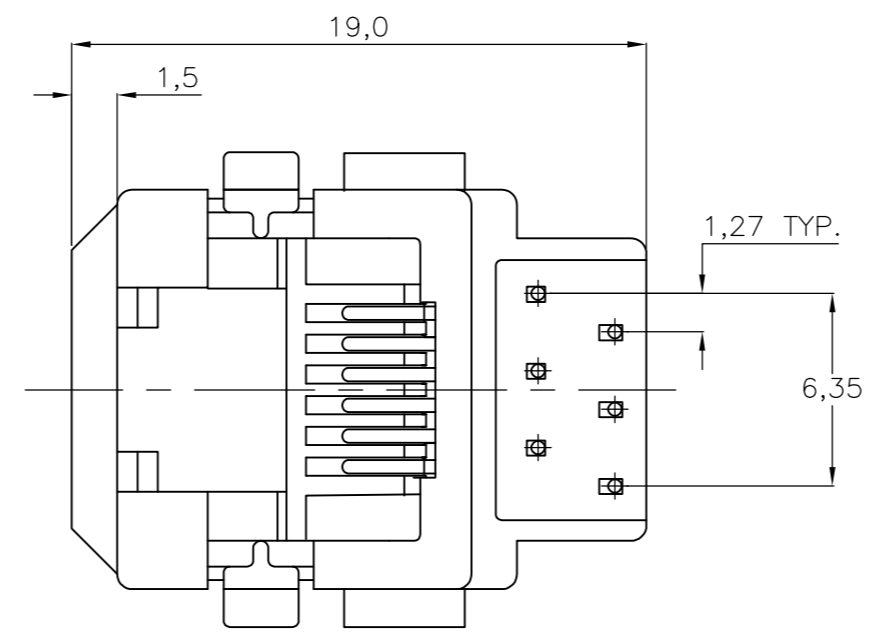
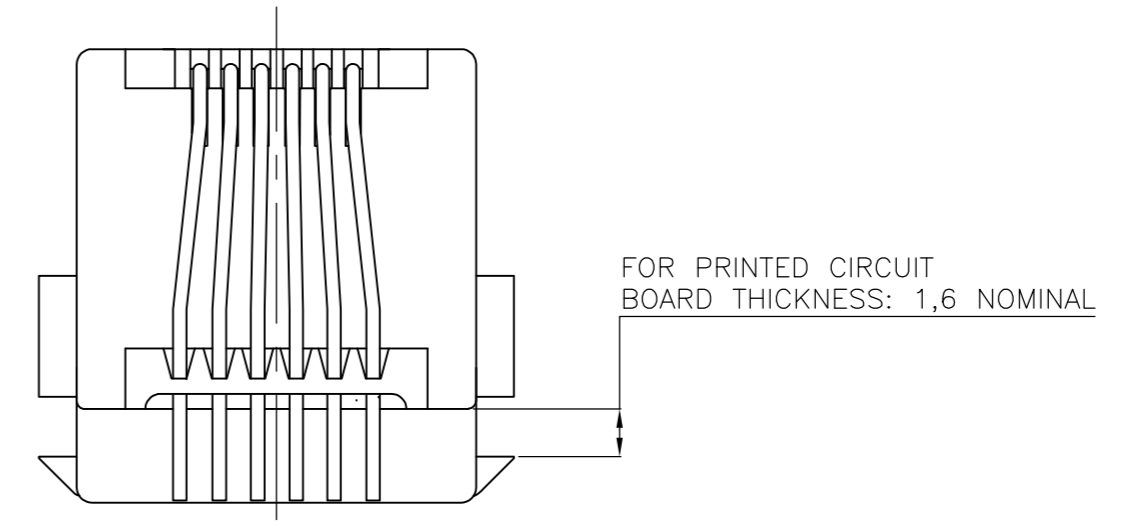
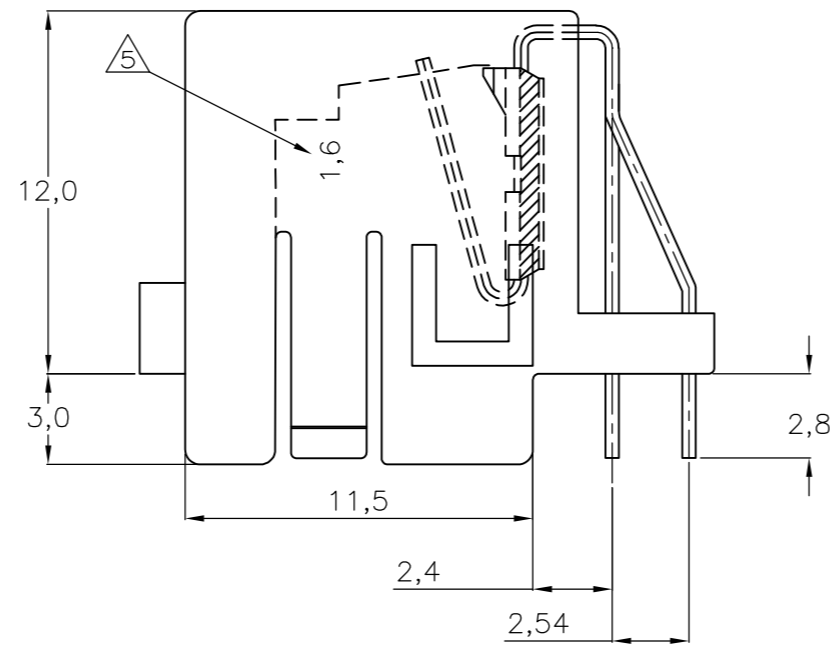
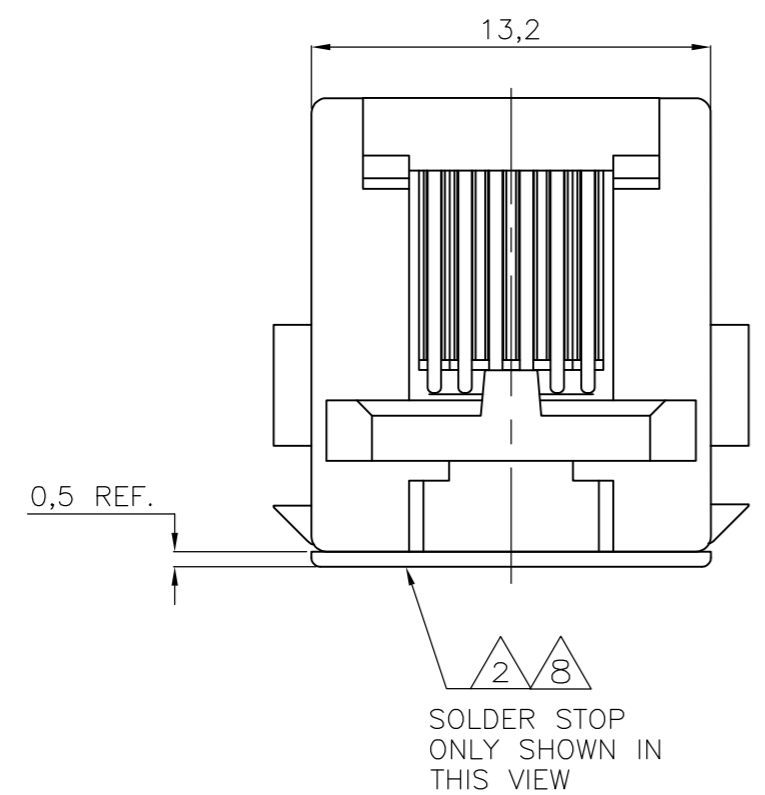
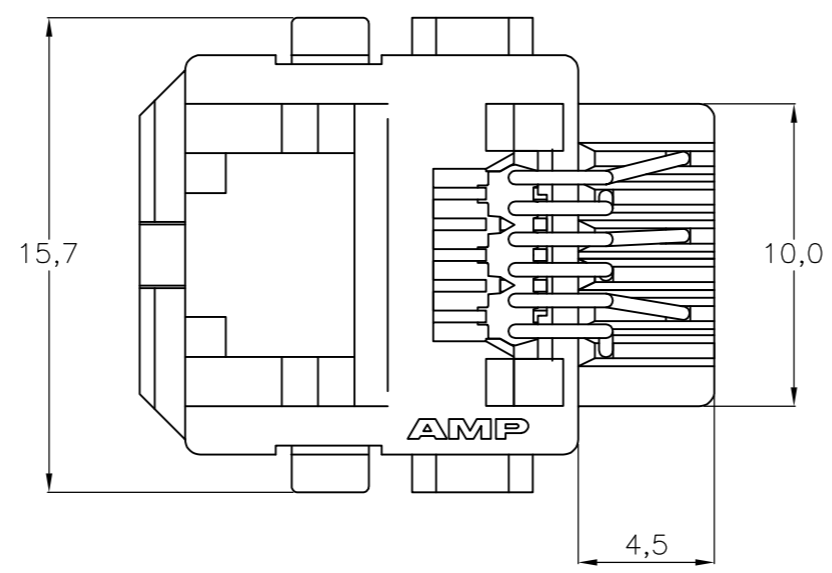


THIS DRAWING IS UNPUBLISHED. RELEASED FOR PUBLICATION
 © COPYRIGHT - By - ALL RIGHTS RESERVED.

LOC	DIST	REVISIONS					
		P	LTR	DESCRIPTION	DATE	DWN	APVD
H	-	R		EH-1477-98	14-09-98	EVE	-
		R1		ECR-08-012368	06-11-08	AEG	WRV
		R2		ECR-10-022530	07JAN11	KK	HMR

NOTES:

1. TOLERANCES UNLESS OTHERWISE SPECIFIED: $\pm 0,15$.
2. MODULAR JACK P.N. 216446-1, 216446-2, 3-216446-1 AND 3-216446-2 ARE DELIVERED WITH PLASTIC SOLDER STOP INSTALLED, TO PREVENT SOLDER ENTERING THE JACK. REMOVE SOLDER STOP AFTER SOLDERING.
3. FOR PERFORMANCE REQUIREMENTS SEE TE PRODUCT SPECIFICATION 108-19064.
4. FOR APPLICATION REQUIREMENTS SEE TE APPLICATION SPECIFICATION 114-19019.
5. MOLDED-IN CHARACTER "1,6" MEANS FOR 1,6mm PRINT THICKNESS.
6. FOR PACKAGING SEE SHEET 2.
7. PREFERRED DIRECTION FOR STAMPING OF HOLE TO OBTAIN A BROKEN EDGE AT JACK ENTRY SIDE.
8. TRUE POSITIONING OF THE SOLDER TINES MAY BE AFFECTED BY BULK PACKAGING. THE SOLDER STOP COULD BE LOOSENED DURING TRANSPORT.



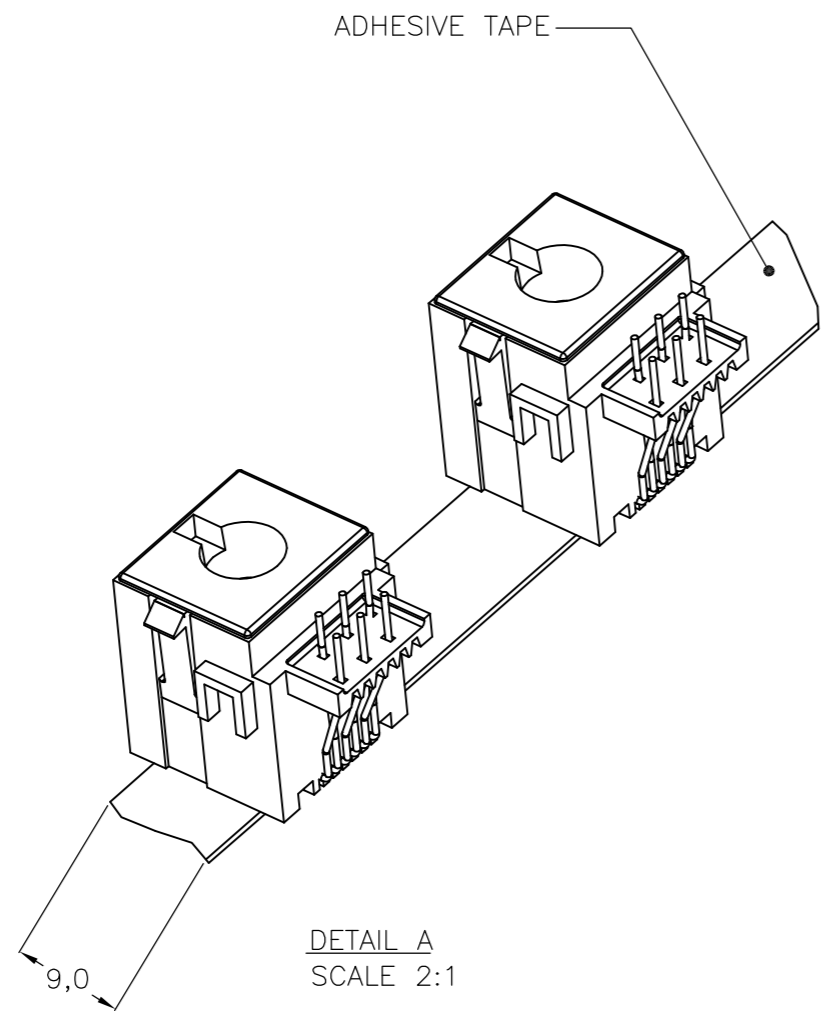
	DESCRIPTION	FINISH	MATERIAL	PARTNUMBER
⚠	BULK PACKAGED 500 pcs/BOX	6 POS./4 CONTACTS WITH SOLDER STOP	CONTACTS: 1,25µm MIN. GOLD OVER HOUSING: 20% G.F. NYLON	3-216446-2
⚠	BULK PACKAGED 1000 pcs/BOX	6 POS./6 CONTACTS WITH SOLDER STOP	CONTACTS: 1,25µm MIN. NICKEL IN CONTACT AREA HOUSING: COLOR: BLACK UL 94-HB	3-216446-1
OBSOLETE ⚠	700 pcs ON A .60 cm DIA REEL	6 POS./4 CONTACTS WITH SOLDER STOP	CONTACTS: 2µm MIN. TIN LEAD OVER 1,25µm MIN. HOUSING: PHOS. BRONZE	-216446-2-
⚠	700 pcs ON A Ø60 cm DIA. REEL	6 POS./6 CONTACTS WITH SOLDER STOP	CONTACTS: NICKEL ON SOLDER TINES. HOUSING: PHOS. BRONZE	216446-1

THIS DRAWING IS A CONTROLLED DOCUMENT.		DWN M.V.ESSEN 29NOV95	TE TE Connectivity	
DIMENSIONS: mm		CHK W.BRUMMANS		
TOLERANCES UNLESS OTHERWISE SPECIFIED:		APVD C.V.TILBURG	MODULAR JACK, 6 POS BOTTOM ENTRY VERSION FOR PRINTED CIRCUIT BOARD MOUNTING	
0 PLC ± -		PRODUCT SPEC		
1 PLC ± -		APPLICATION SPEC	SIZE A2	CAGE CODE 00779
2 PLC ± -		WEIGHT -	DRAWING NO C=216446	RESTRICTED TO -
3 PLC ± -		CUSTOMER DRAWING	SCALE NTS	SHEET 1 of 2
4 PLC ± -				REV R2
ANGLES ± -				
FINISH -				

216446

THIS DRAWING IS UNPUBLISHED. RELEASED FOR PUBLICATION
 © COPYRIGHT - By - ALL RIGHTS RESERVED.

LOC	DIST	REVISIONS					
H	-	P	LTR	DESCRIPTION	DATE	DWN	APVD
		-	-	SEE SHEET 1	-	-	-



SEE DETAIL A

REEL-OFF DIRECTION



THIS DRAWING IS A CONTROLLED DOCUMENT.		DWN	19DEC96			TE Connectivity		
DIMENSIONS: mm		CHK	F.V.EIJK			MODULAR JACK, 6 POS., BOTTOM ENTRY VERSION PACKAGING		
TOLERANCES UNLESS OTHERWISE SPECIFIED:		APVD	W.BRUMMANS					
0 PLC ± - 1 PLC ± - 2 PLC ± - 3 PLC ± - 4 PLC ± - ANGLES ± -		PRODUCT SPEC	R.SMEETS			SIZE	CAGE CODE	DRAWING NO
MATERIAL		FINISH	-		A2	00779	C=216446	
-		WEIGHT	-		CUSTOMER DRAWING		RESTRICTED TO	
		SCALE	NTS		SHEET	2 OF 2		
		REV	R2					

Mouser Electronics

Authorized Distributor

Click to View Pricing, Inventory, Delivery & Lifecycle Information:

[TE Connectivity:](#)

[3-216446-1](#)