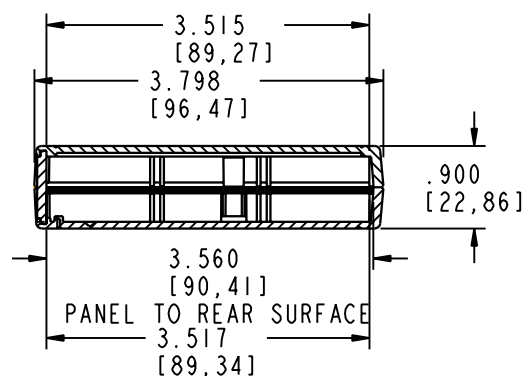
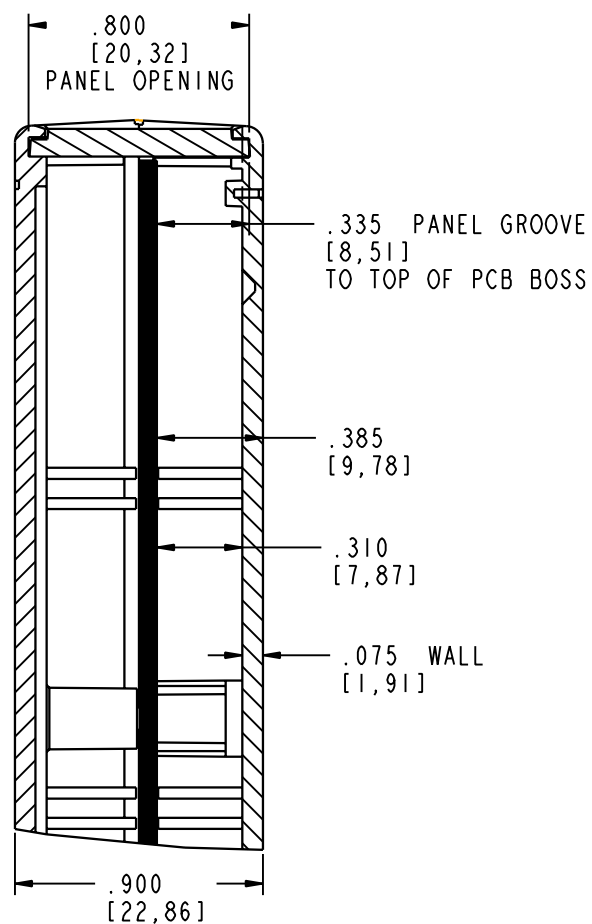
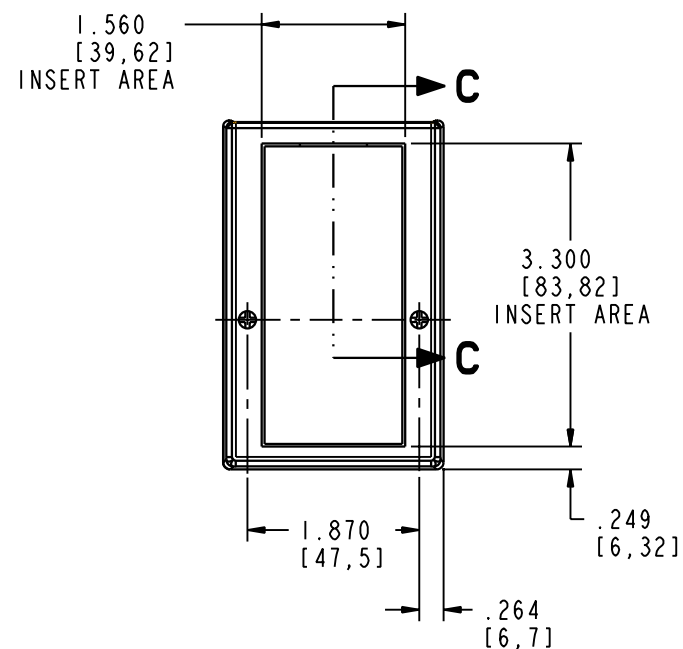


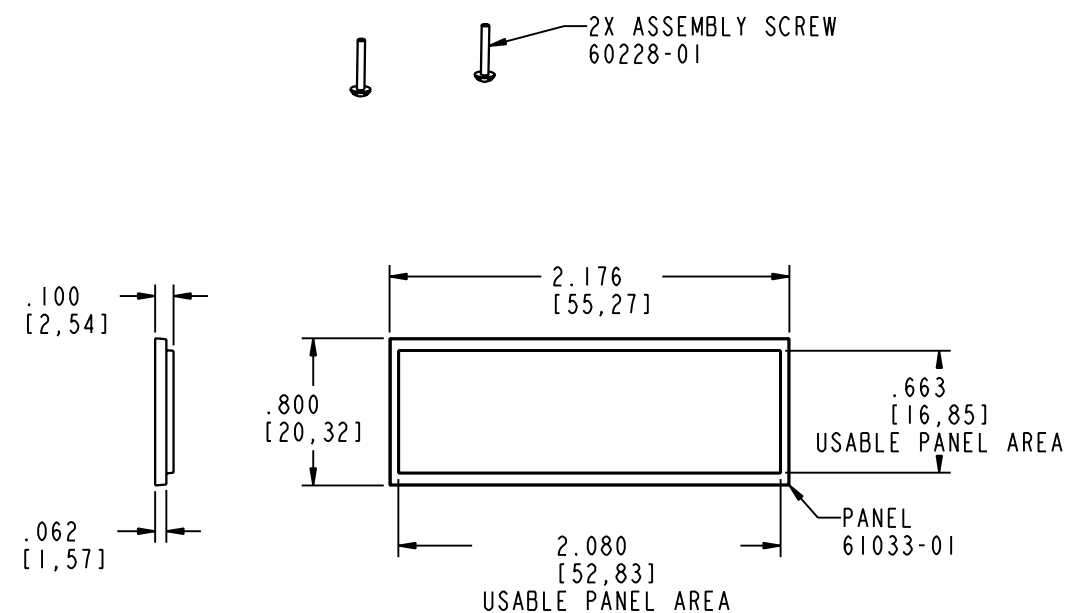
SECTION A-A



SECTION B-B



SECTION C-C



PACINTEC[®]
1-610-361-4231

HM

VISIT **PACINTEC**[®]
ON THE WORLD WIDE WEB
www.pactecenclosures.com

COLOR / MATERIAL CODE		
COLOR	94HB	94VO
BLACK	000	028
P. C. BONE	039	060

DRAWING NUMBER	REV
61093	D

Mouser Electronics

Authorized Distributor

Click to View Pricing, Inventory, Delivery & Lifecycle Information:

[PacTec:](#)

[HM BLACK PANEL 61033-01-000](#) [HM BONE PANEL 61033-01-039](#) [61910-510-000 HM Black Kit](#)